



US00D531198S

(12) **United States Design Patent**
Tainaka

(10) **Patent No.:** **US D531,198 S**

(45) **Date of Patent:** **** Oct. 31, 2006**

(54) **DIGITAL CAMERA**

(75) Inventor: **Daisuke Tainaka**, Hachioji (JP)

(73) Assignee: **Olympus Corporation**, Tokyo (JP)

(**) Term: **14 Years**

(21) Appl. No.: **29/207,458**

(22) Filed: **Jun. 14, 2004**

(51) **LOC (8) Cl.** **16-01**

(52) **U.S. Cl.** **D16/202; D16/218**

(58) **Field of Classification Search** D16/200–206,
D16/208, 218; 348/373–376; 358/906, 909.1;
396/535–541

See application file for complete search history.

(56) **References Cited**

U.S. PATENT DOCUMENTS

| | | | | | |
|------------|---|---------|-----------------|-------|---------|
| D398,320 S | * | 9/1998 | Powell | | D16/218 |
| D450,738 S | * | 11/2001 | Rak | | D16/203 |
| D451,117 S | * | 11/2001 | Huthmaker | | D16/218 |
| D466,539 S | * | 12/2002 | Suzuki et al. | | D16/202 |
| D487,282 S | * | 3/2004 | Zhou | | D16/202 |
| D508,511 S | * | 8/2005 | Christou et al. | | D16/218 |

* cited by examiner

Primary Examiner—Adir Aronovich

(74) *Attorney, Agent, or Firm*—Hogan & Hartson LLP

(57) **CLAIM**

The ornamental design for a digital camera, as shown and described.

DESCRIPTION

FIG. 1 is a perspective view of a digital camera, showing my new design;

FIG. 2 is a perspective view thereof showing a barrier in an opened state;

FIG. 3 is a top plan view of FIG. 1;

FIG. 4 is a left side elevational view thereof;

FIG. 5 is a front elevational view thereof showing the barrier in a closed state;

FIG. 6 is a bottom plan view thereof;

FIG. 7 is a right side elevational view thereof;

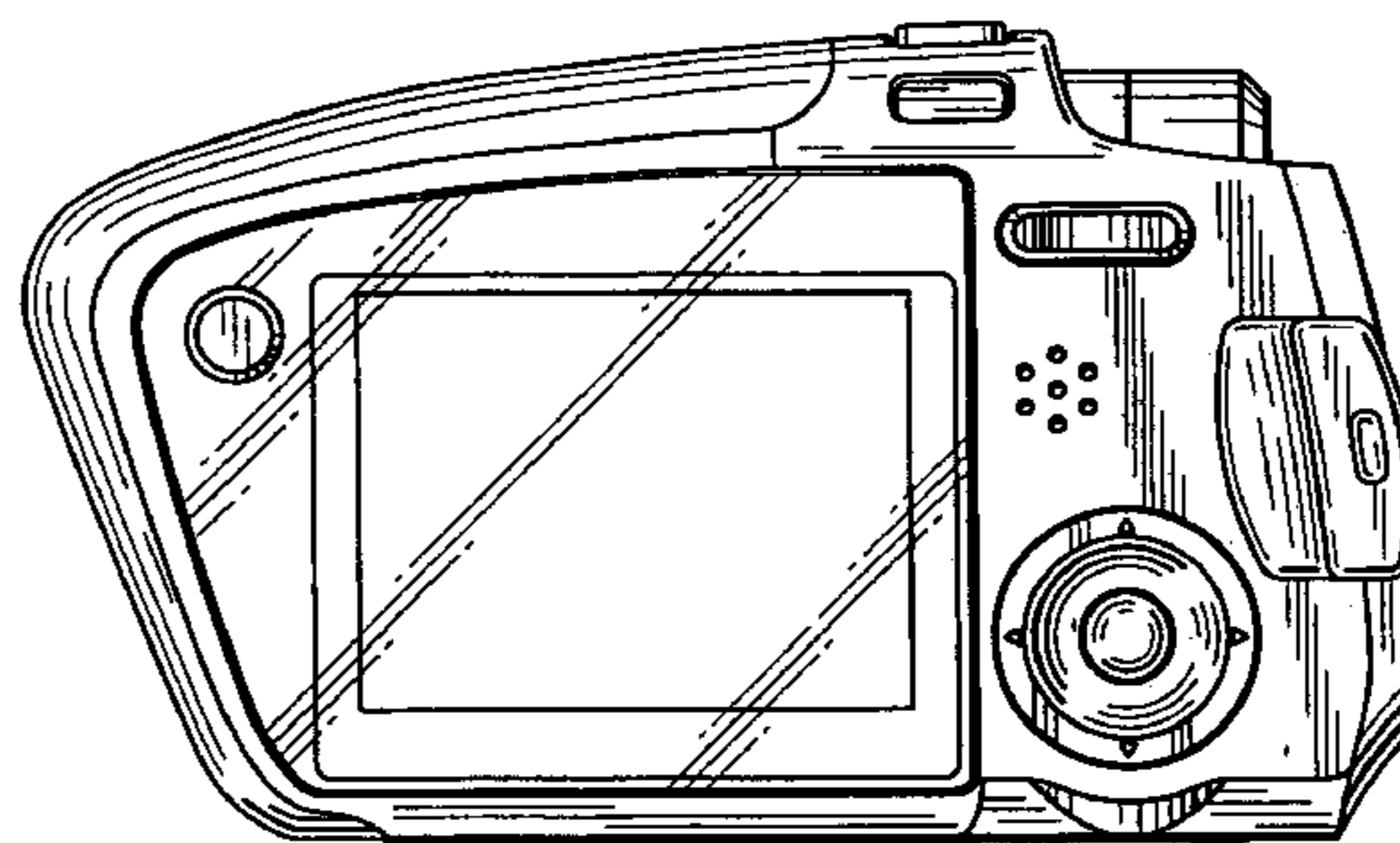
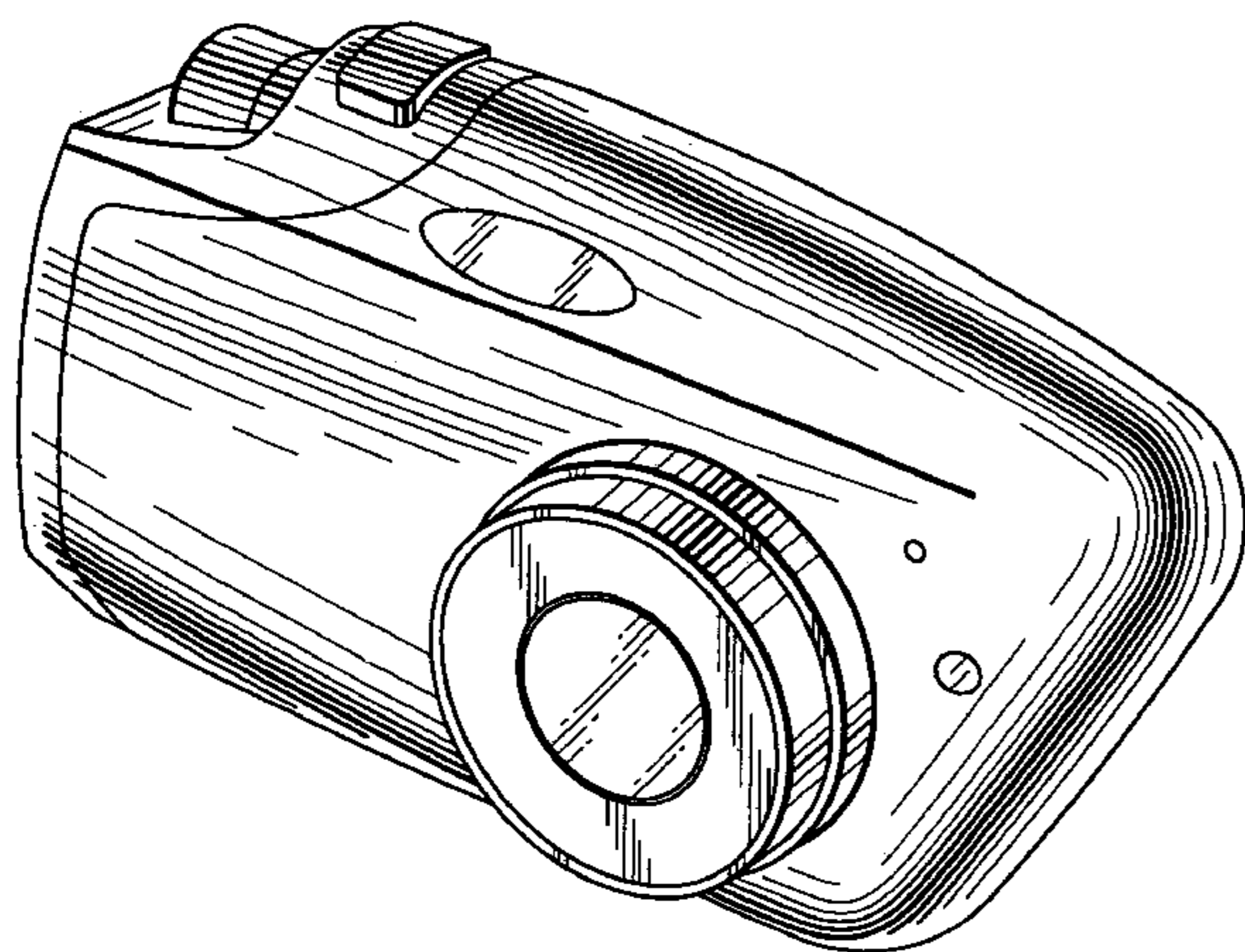
FIG. 8 is a rear elevational view thereof;

FIG. 9 is a front elevational view thereof, showing the barrier in an opened state; and,

FIG. 10 is a right side elevational view thereof showing a barrier in an opened state.

The broken lines are for illustrative purposes only and form no part of the claimed design.

1 Claim, 4 Drawing Sheets



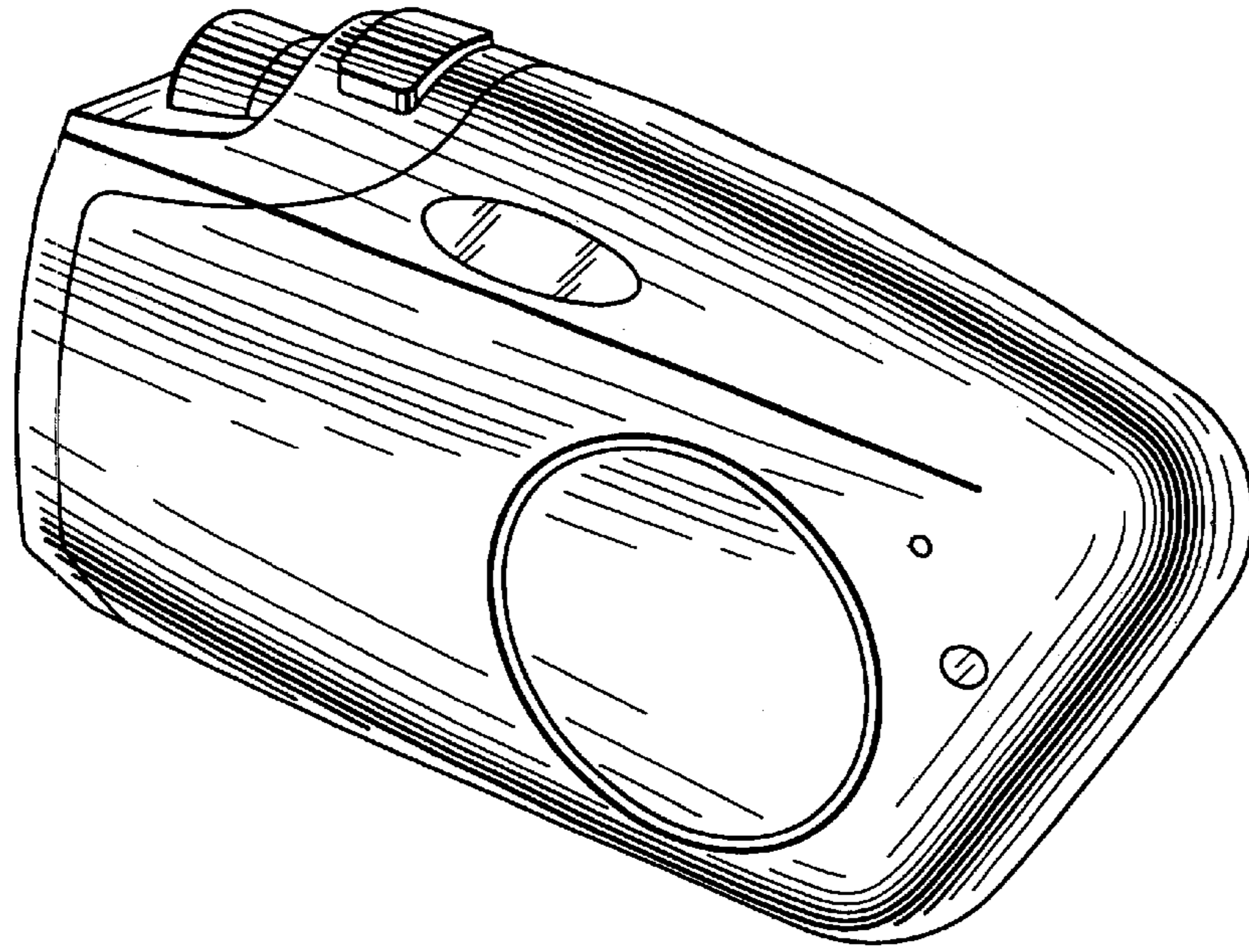


FIG. 1

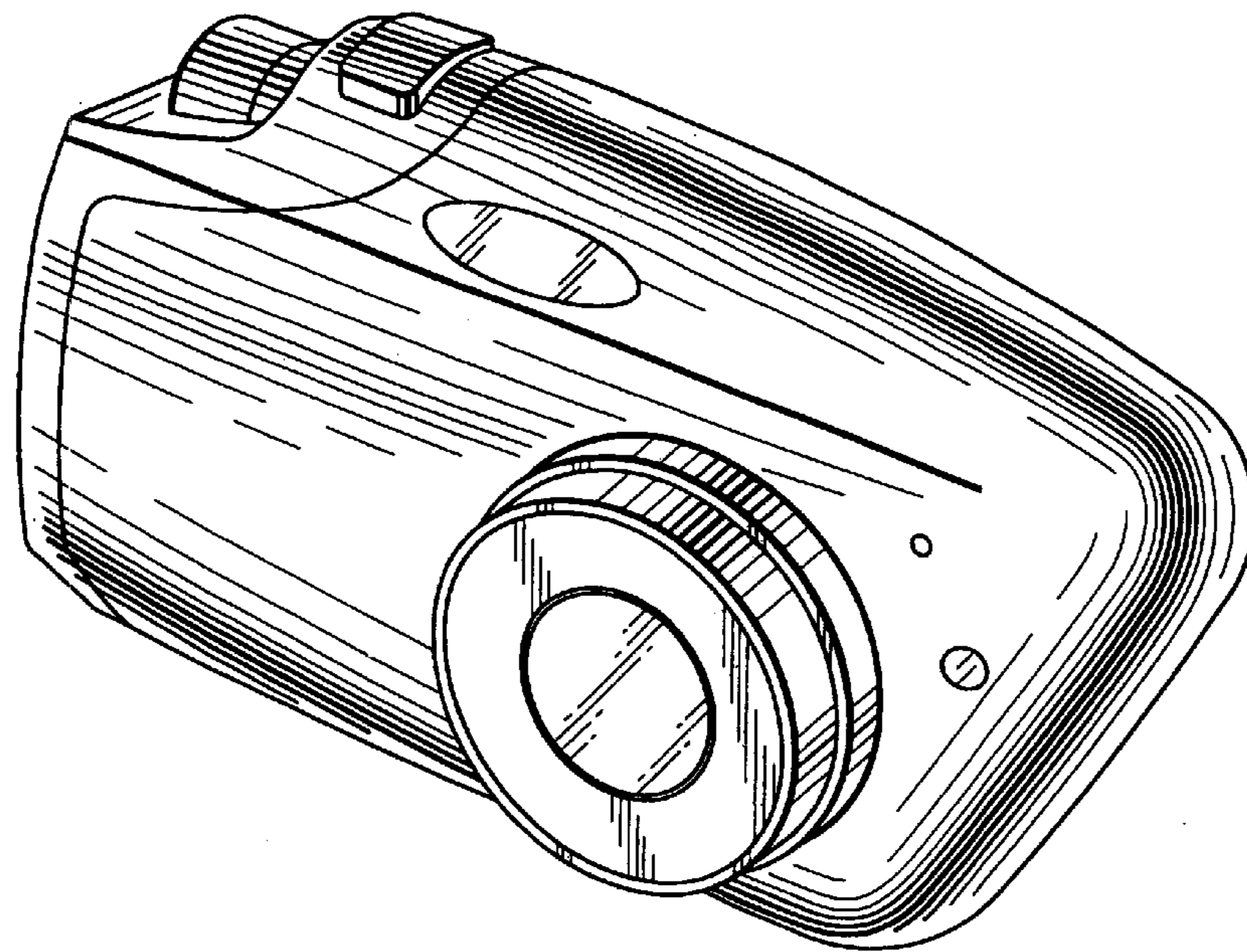


FIG. 2

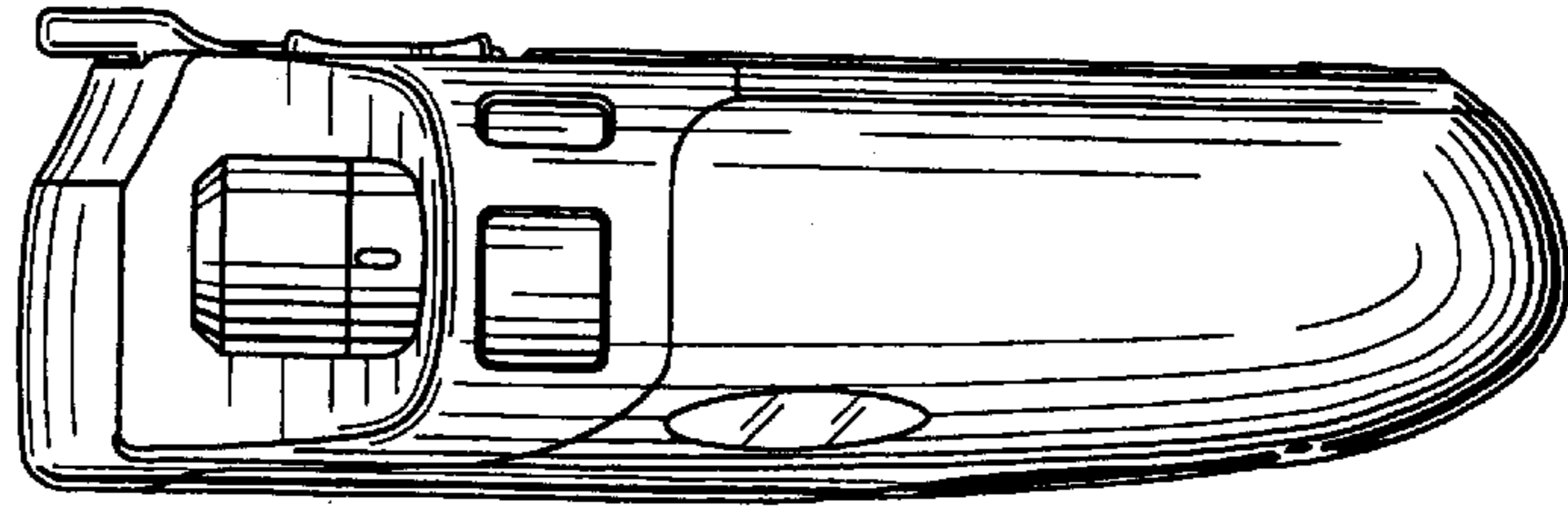


FIG. 3

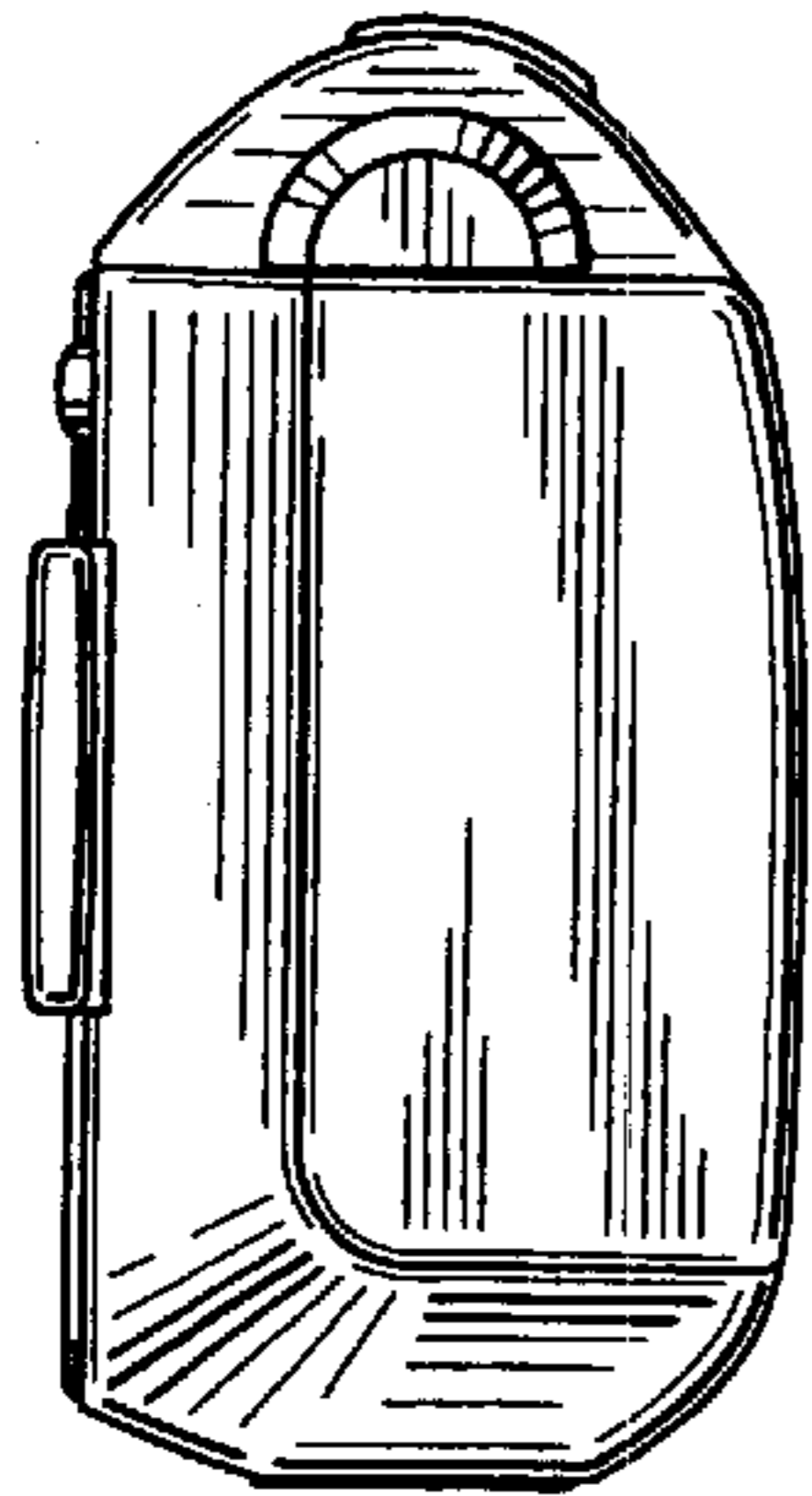


FIG. 4

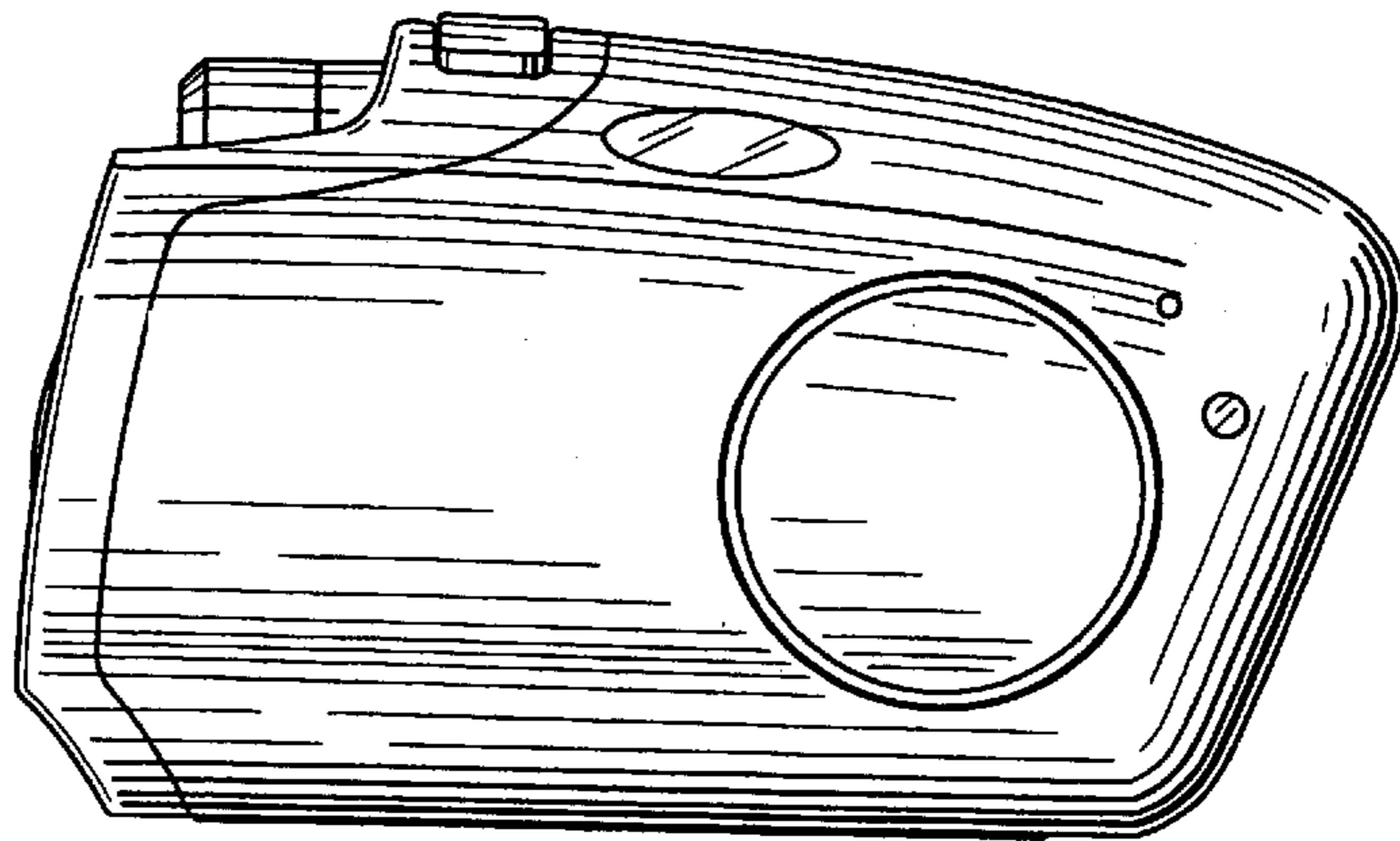


FIG. 5

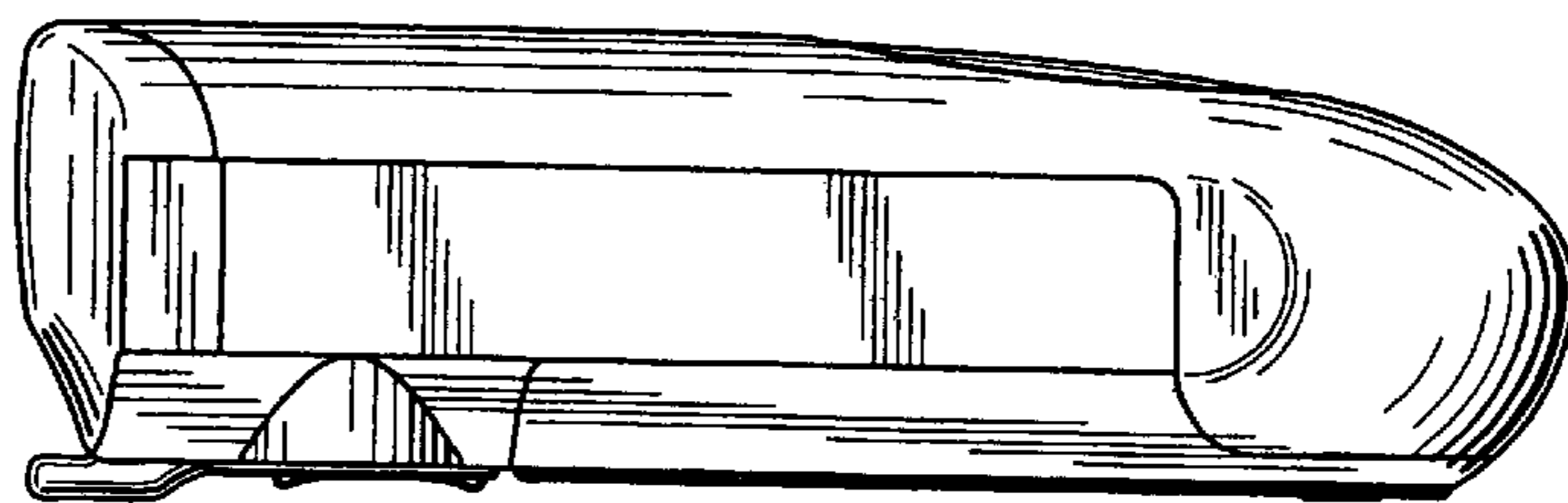


FIG. 6

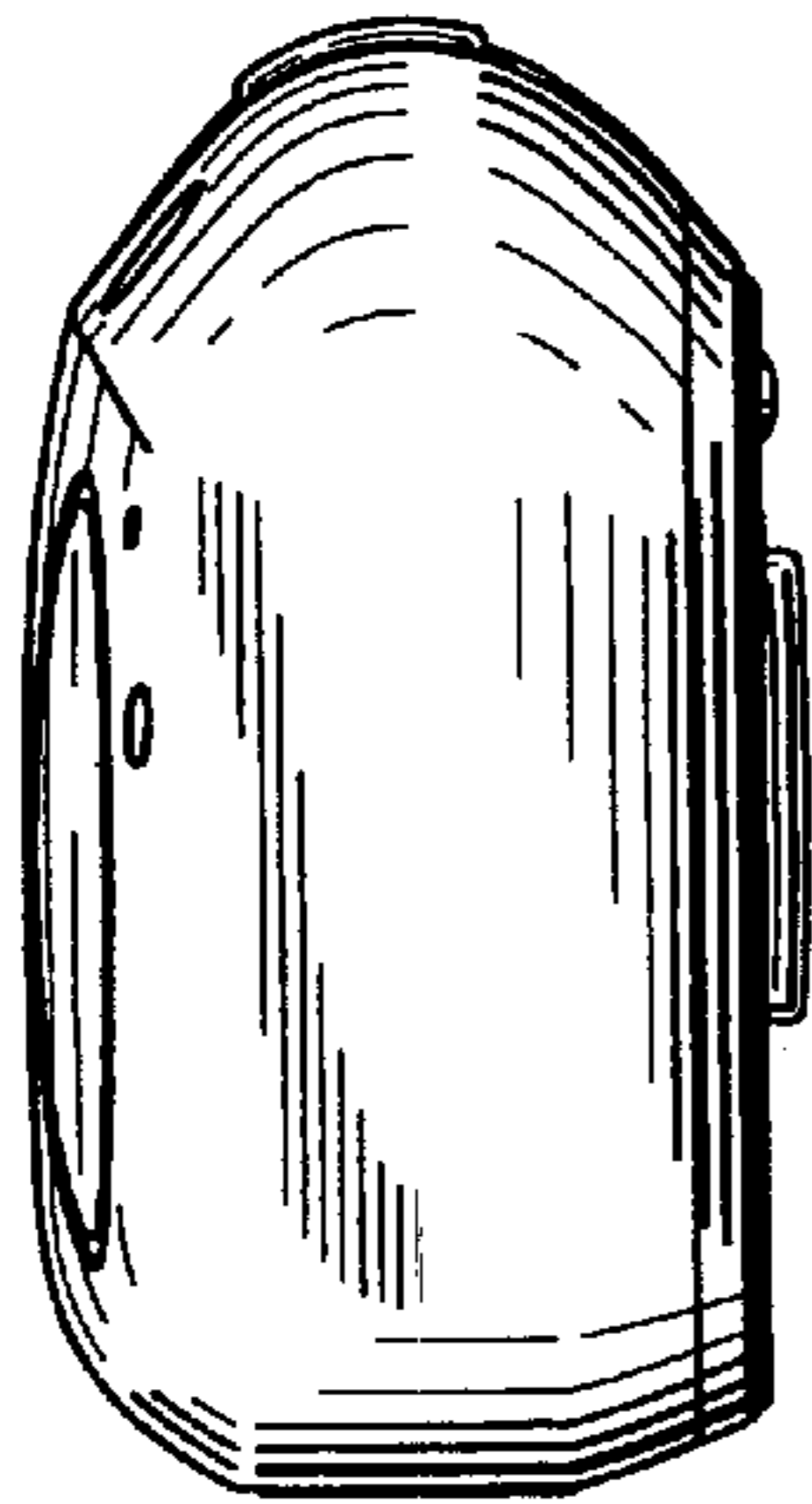


FIG. 7

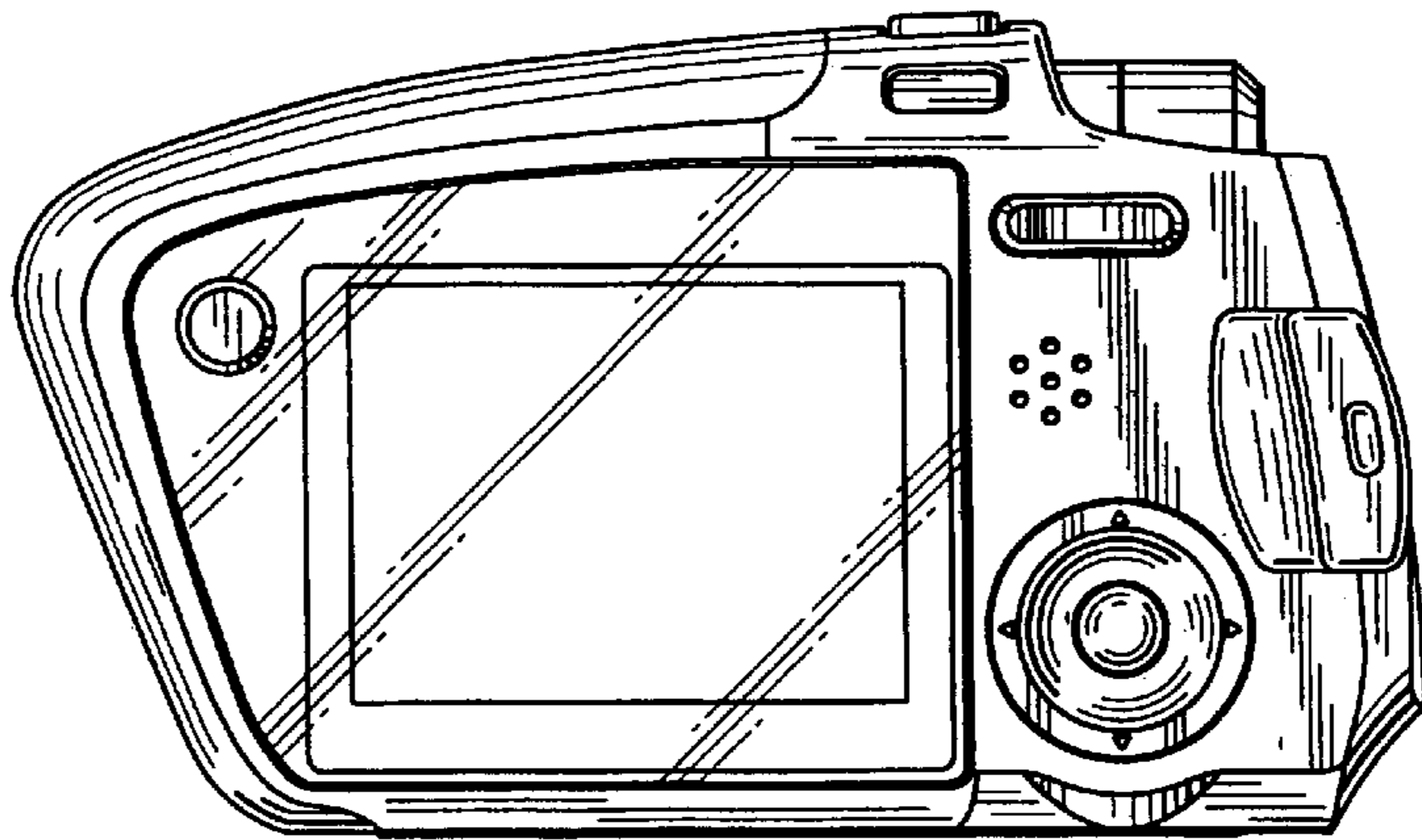


FIG. 8

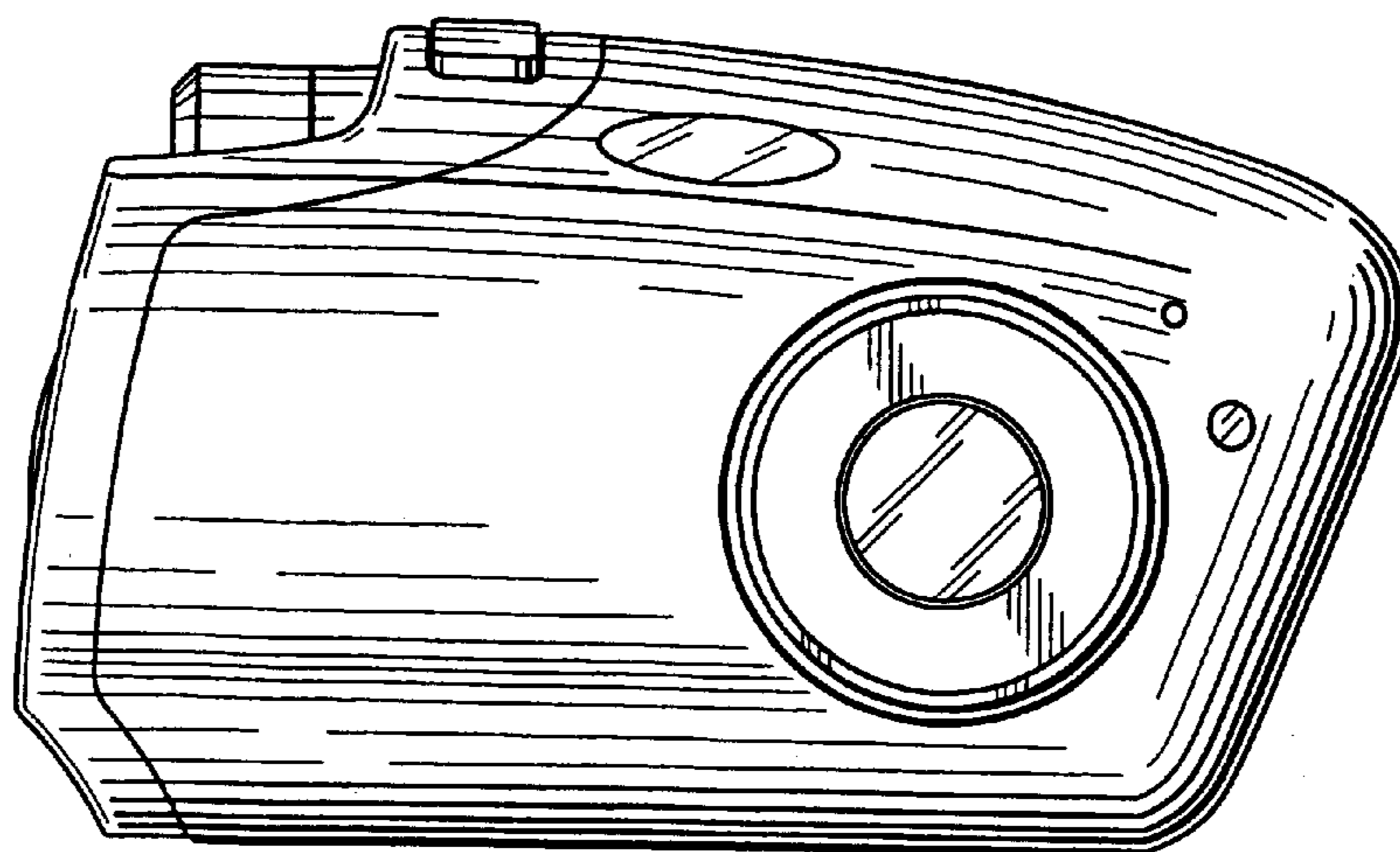


FIG. 9

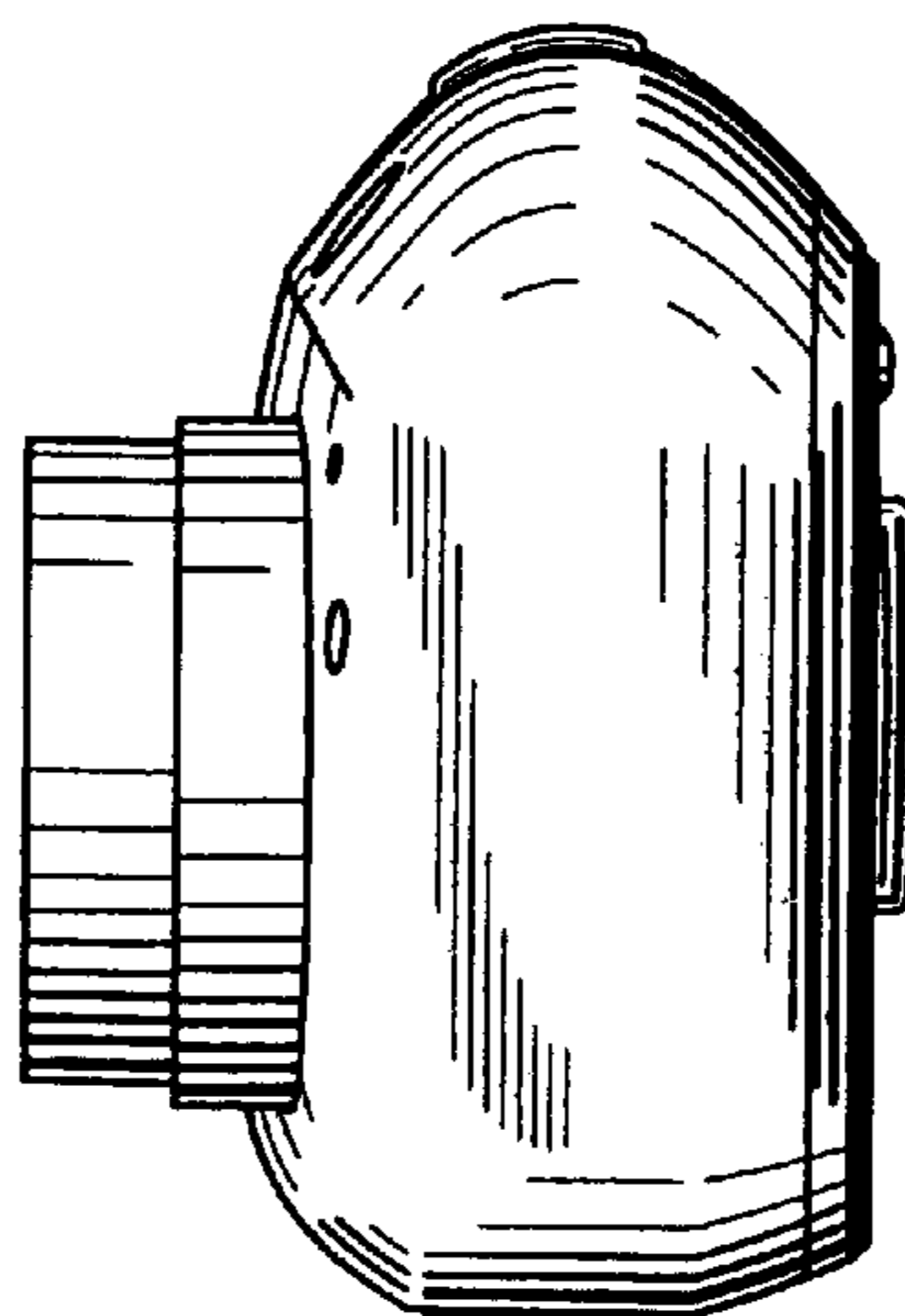


FIG. 10