

US00D531197S

(12) **United States Design Patent**  
**Pinchot**

(10) **Patent No.:** **US D531,197 S**  
(45) **Date of Patent:** **\*\* Oct. 31, 2006**

(54) **EXTRUDER PLATE FOR DIAMOND SHAPED EXTRUDER INSERT**

(75) Inventor: **James M. Pinchot**, Parma, OH (US)

(73) Assignee: **JMP Industries, Inc.**, Cleveland, OH (US)

(\*\*) Term: **14 Years**

(21) Appl. No.: **29/252,800**

(22) Filed: **Jan. 27, 2006**

(51) **LOC (8) Cl.** ..... **15-99**

(52) **U.S. Cl.** ..... **D15/199**

(58) **Field of Classification Search** ..... D15/139,  
D15/199; 264/117.12, 209.1, 209.8; 366/76.1,  
366/149; 425/190, 208, 380  
See application file for complete search history.

|                 |         |         |
|-----------------|---------|---------|
| D446,794 S      | 8/2001  | Pinchot |
| D450,732 S      | 11/2001 | Pinchot |
| D452,257 S      | 12/2001 | Pinchot |
| D469,116 S      | 1/2003  | Pinchot |
| D469,117 S      | 1/2003  | Pinchot |
| D469,452 S      | 1/2003  | Pinchot |
| D469,453 S      | 1/2003  | Pinchot |
| D469,454 S      | 1/2003  | Pinchot |
| D470,870 S      | 2/2003  | Pinchot |
| D485,286 S      | 1/2004  | Pinchot |
| D494,198 S      | 8/2004  | Pinchot |
| D496,377 S      | 9/2004  | Pinchot |
| 2001/0008642 A1 | 7/2001  | Meyer   |
| 2004/0022886 A1 | 2/2004  | Sagar   |

\* cited by examiner

*Primary Examiner*—Antoine D. Davis  
*Assistant Examiner*—Patricia Palasik  
(74) *Attorney, Agent, or Firm*—Fay, Sharpe, Fagan,  
Minnich & McKee; Brian E. Turung

(56) **References Cited**

U.S. PATENT DOCUMENTS

|              |   |         |                    |       |         |
|--------------|---|---------|--------------------|-------|---------|
| 4,279,515 A  | * | 7/1981  | Effenberger et al. | ..... | 366/149 |
| 4,293,357 A  |   | 10/1981 | Higuchi et al.     |       |         |
| 4,551,087 A  | * | 11/1985 | Pan et al.         | ..... | 72/269  |
| 4,738,735 A  |   | 4/1988  | Joncker et al.     |       |         |
| 5,878,804 A  |   | 3/1999  | Williams et al.    |       |         |
| 5,882,782 A  |   | 3/1999  | Tsubone            |       |         |
| 5,938,992 A  |   | 8/1999  | Hamanaka et al.    |       |         |
| 5,972,254 A  |   | 10/1999 | Sander             |       |         |
| 6,045,764 A  |   | 4/2000  | Iizuka et al.      |       |         |
| 6,156,698 A  |   | 12/2000 | Iida et al.        |       |         |
| 6,162,524 A  |   | 12/2000 | Patchett et al.    |       |         |
| 6,206,675 B1 | * | 3/2001  | BeVier             | ..... | 425/190 |
| D442,612 S   |   | 5/2001  | Pinchot            |       |         |
| D444,487 S   |   | 7/2001  | Pinchot            |       |         |

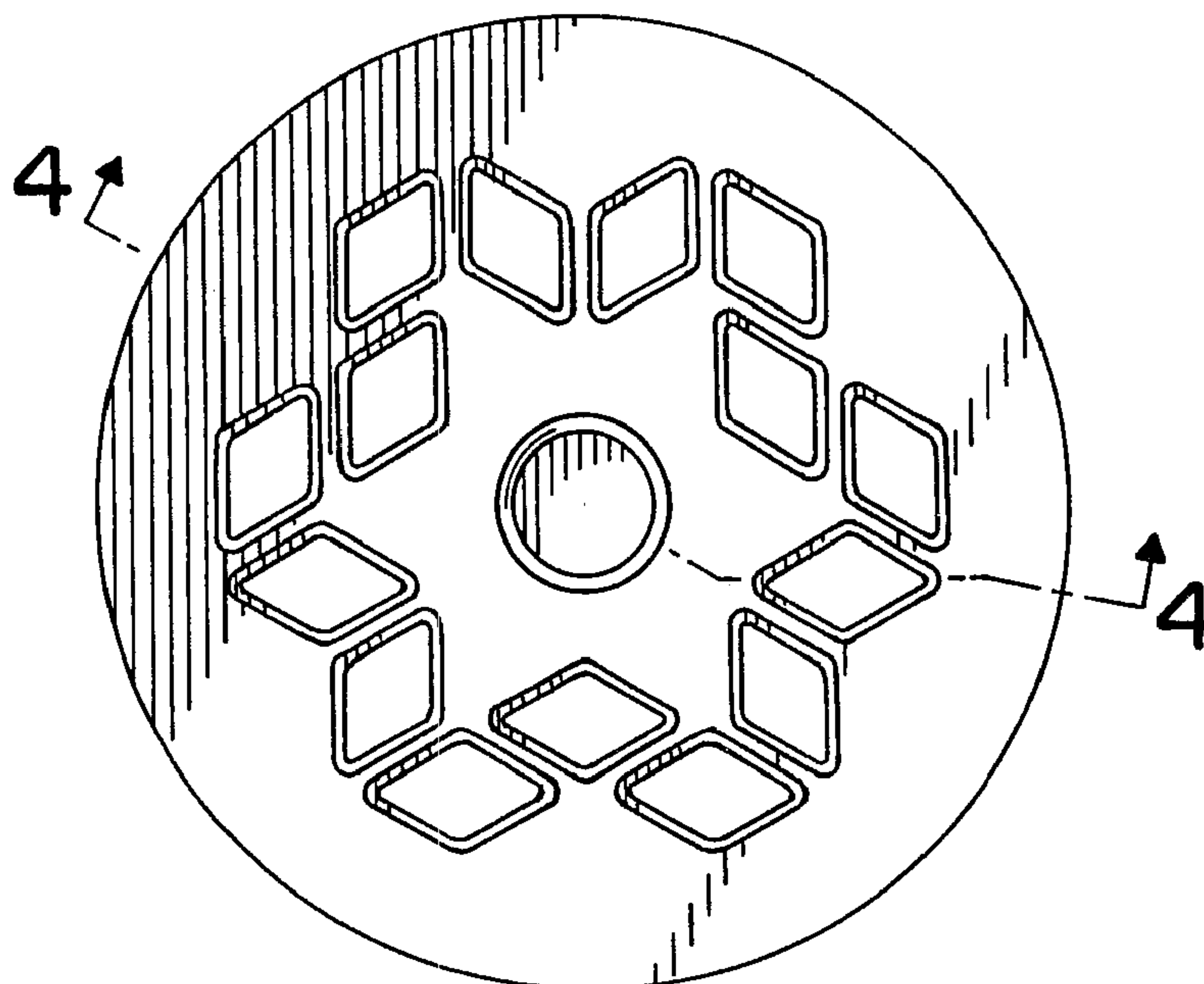
(57) **CLAIM**

The ornamental design for an extruder plate for diamond shaped extruder insert, as shown and described.

**DESCRIPTION**

FIG. 1 is a top plan view of an extruder plate for a diamond shaped extruder insert showing my new design;  
FIG. 2 is a side view of an extruder plate for a diamond shaped extruder insert showing my new design;  
FIG. 3 is a bottom plan view of an extruder plate for a diamond shaped extruder insert showing my new design;  
and,  
FIG. 4 is a cross-sectional view along line 4—4 of FIG. 1.

**1 Claim, 1 Drawing Sheet**



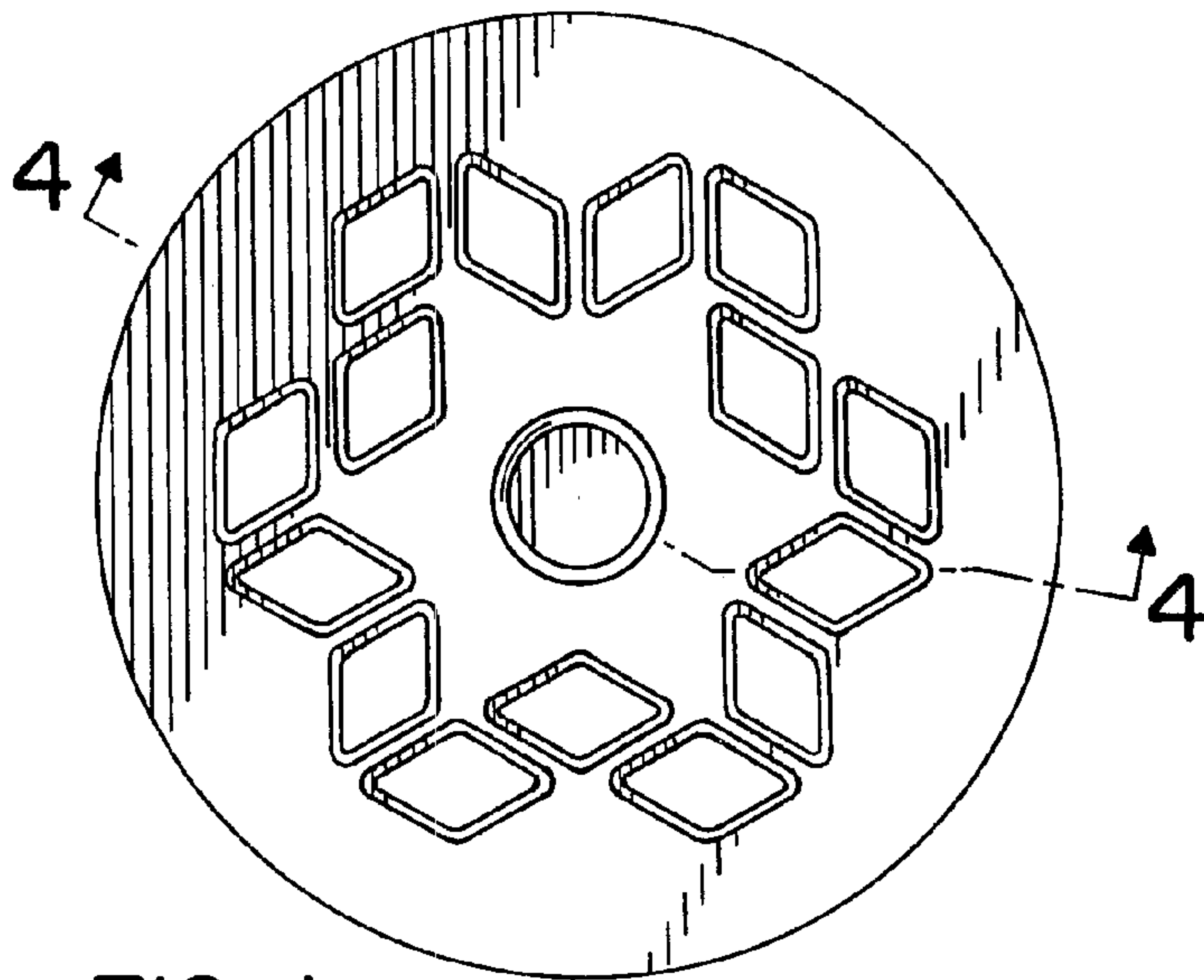


FIG. 1



FIG. 2

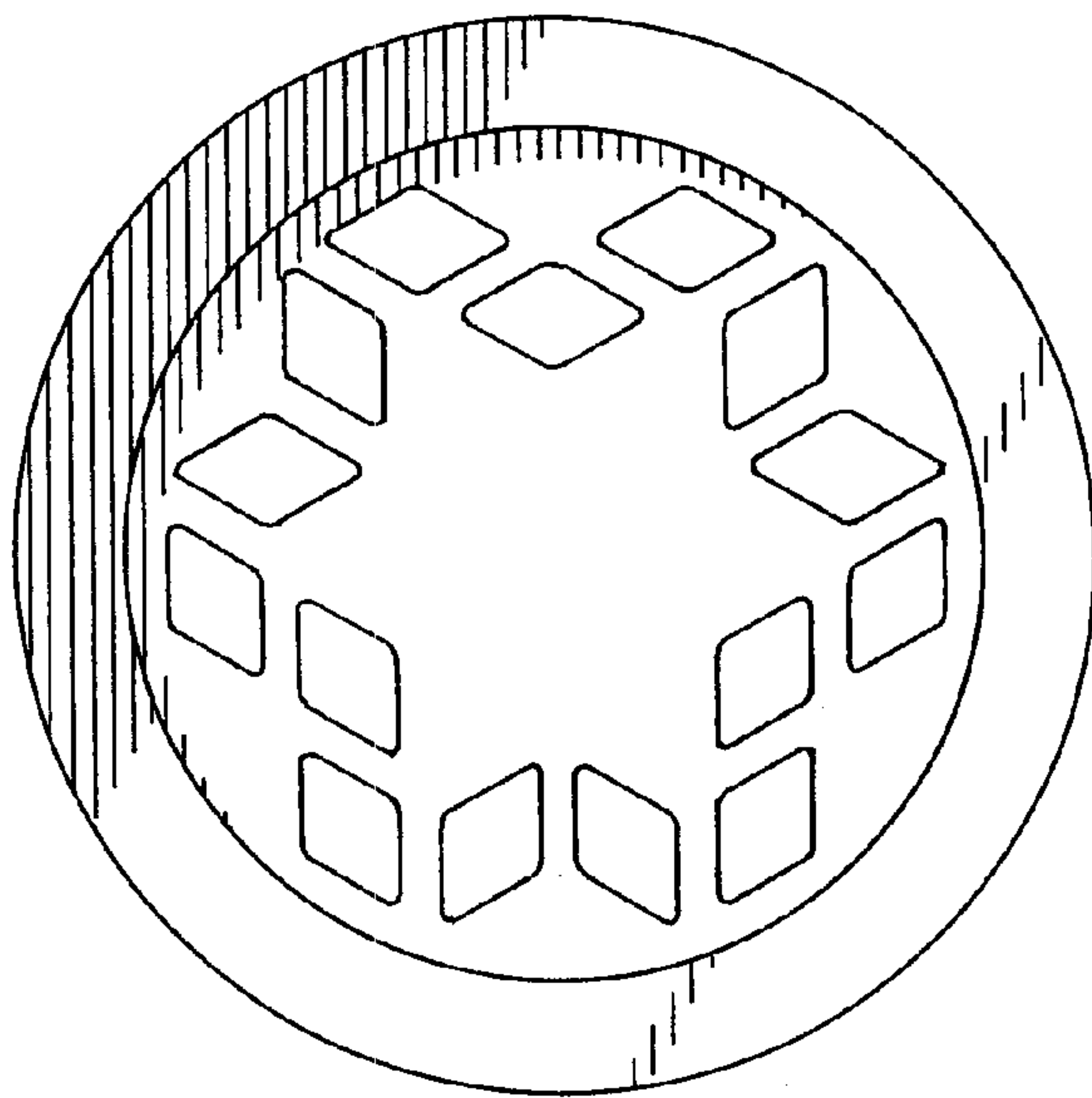


FIG. 3



FIG. 4