



US00D531196S

(12) **United States Design Patent**  
**Watanabe**

(10) **Patent No.:** **US D531,196 S**

(45) **Date of Patent:** **\*\* Oct. 31, 2006**

(54) **ROUTER BIT**

D434,783 S \* 12/2000 Reichenthal ..... D15/139

(75) Inventor: **Shunsuke Watanabe**, Shizuoka (JP)

\* cited by examiner

(73) Assignee: **Off Corporation Inc.**, Shizuoka-ken (JP)

*Primary Examiner*—Antoine D. Davis

*Assistant Examiner*—Patricia Palasik

(74) *Attorney, Agent, or Firm*—Jacobson Holman PLLC

(\*\*) Term: **14 Years**

(57) **CLAIM**

(21) Appl. No.: **29/258,859**

The ornamental design for a router bit, as shown and described.

(22) Filed: **Apr. 25, 2006**

**DESCRIPTION**

(30) **Foreign Application Priority Data**

Oct. 25, 2005 (JP) ..... 2005-031230

(51) **LOC (8) Cl.** ..... **15-09**

(52) **U.S. Cl.** ..... **D15/139**

(58) **Field of Classification Search** ..... D15/138,  
D15/139; 144/134.2, 137, 228, 241, 253.2,  
144/253.5, 371; 407/53, 54, 61, 63, 114;  
409/182

See application file for complete search history.

FIG. 1 is a front perspective view of the router bit embodying my design;

FIG. 2 is a front elevational view of the router bit, the back elevational view being a mirror image thereof;

FIG. 3 is a top plan view of the router bit;

FIG. 4 is a right side elevational view of the router bit, the left side elevational view being a mirror image thereof;

FIG. 5 is a bottom view of the router bit;

FIG. 6 is a longitudinal sectional view taken along line 6—6 on FIG. 3;

FIG. 7 is a longitudinal sectional view taken along line 7—7 of FIG. 3; and,

FIG. 8 is a longitudinal sectional view taken along line 8—8 of FIG. 3.

(56) **References Cited**

**U.S. PATENT DOCUMENTS**

D338,213 S \* 8/1993 Witt ..... D15/139

5,899,252 A \* 5/1999 Pozzo ..... 144/371

**1 Claim, 5 Drawing Sheets**

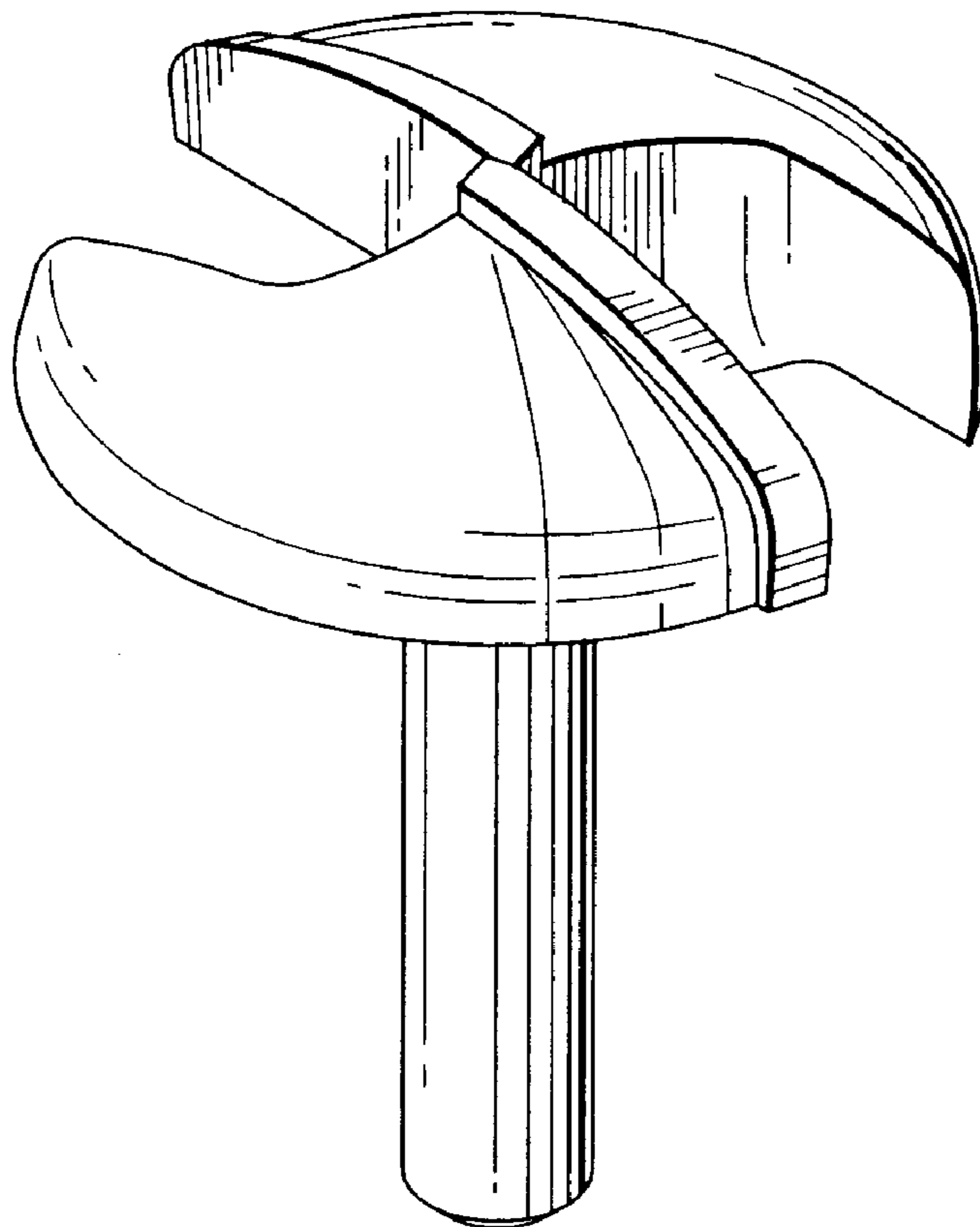


FIG. 1

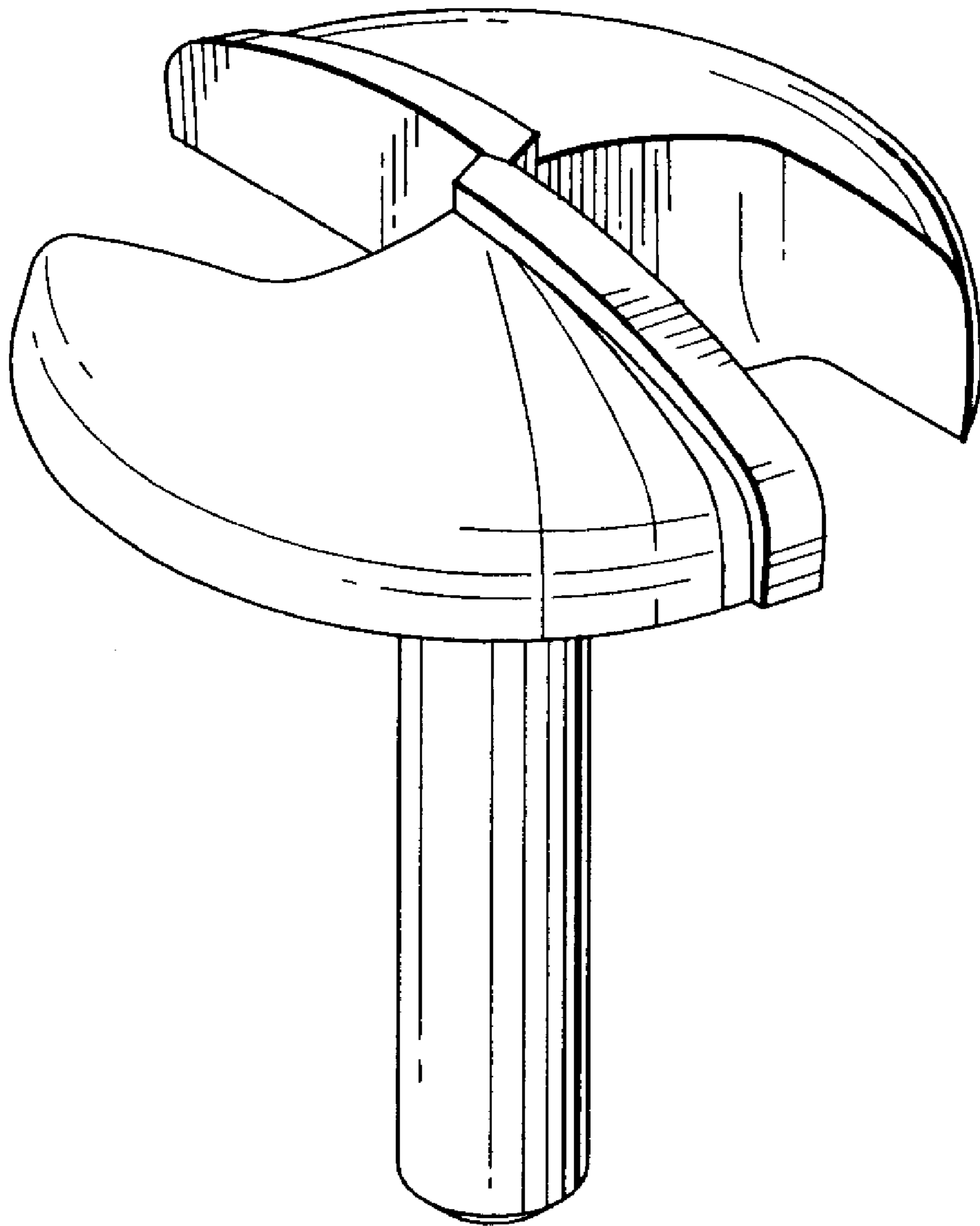


FIG. 2

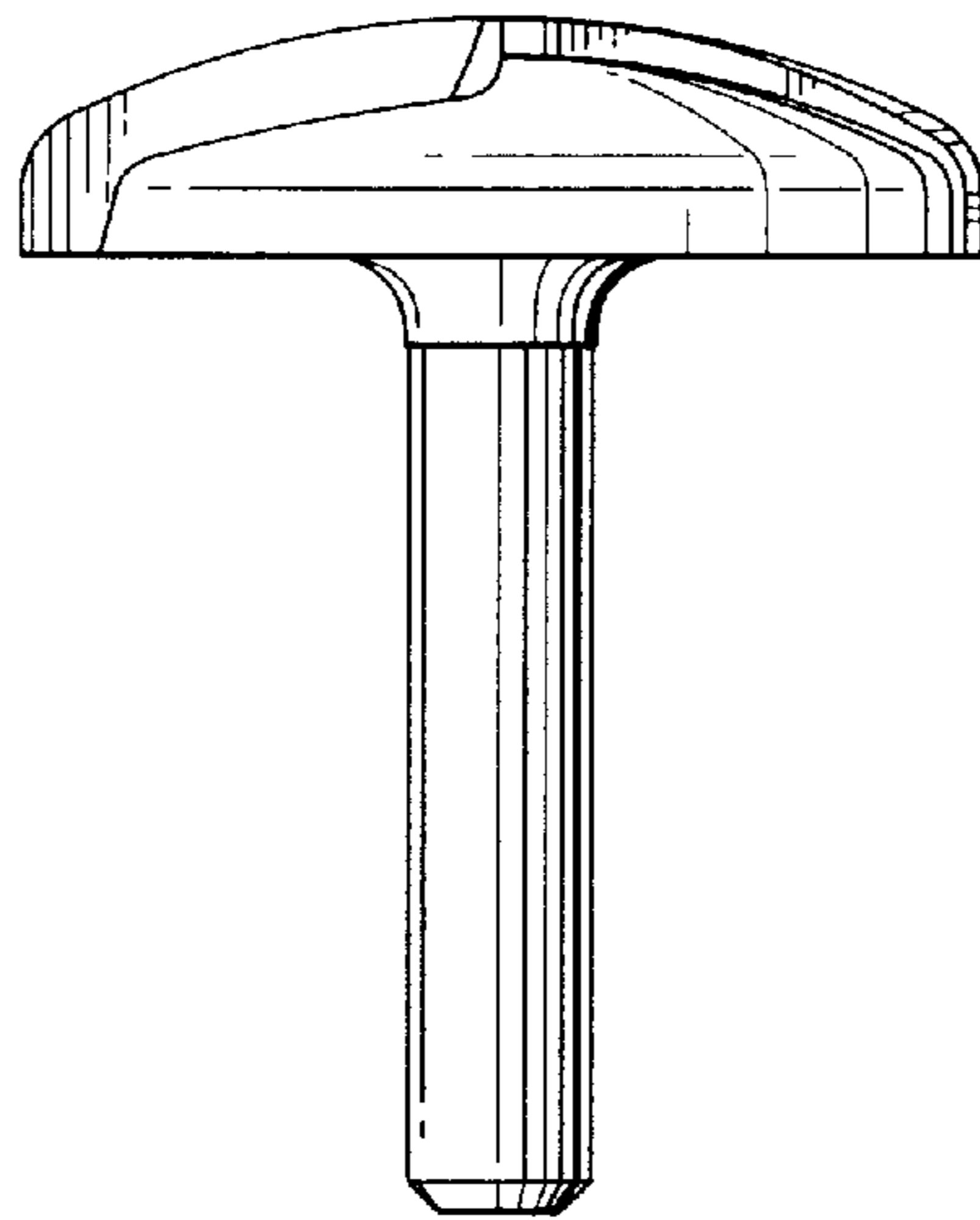


FIG. 3

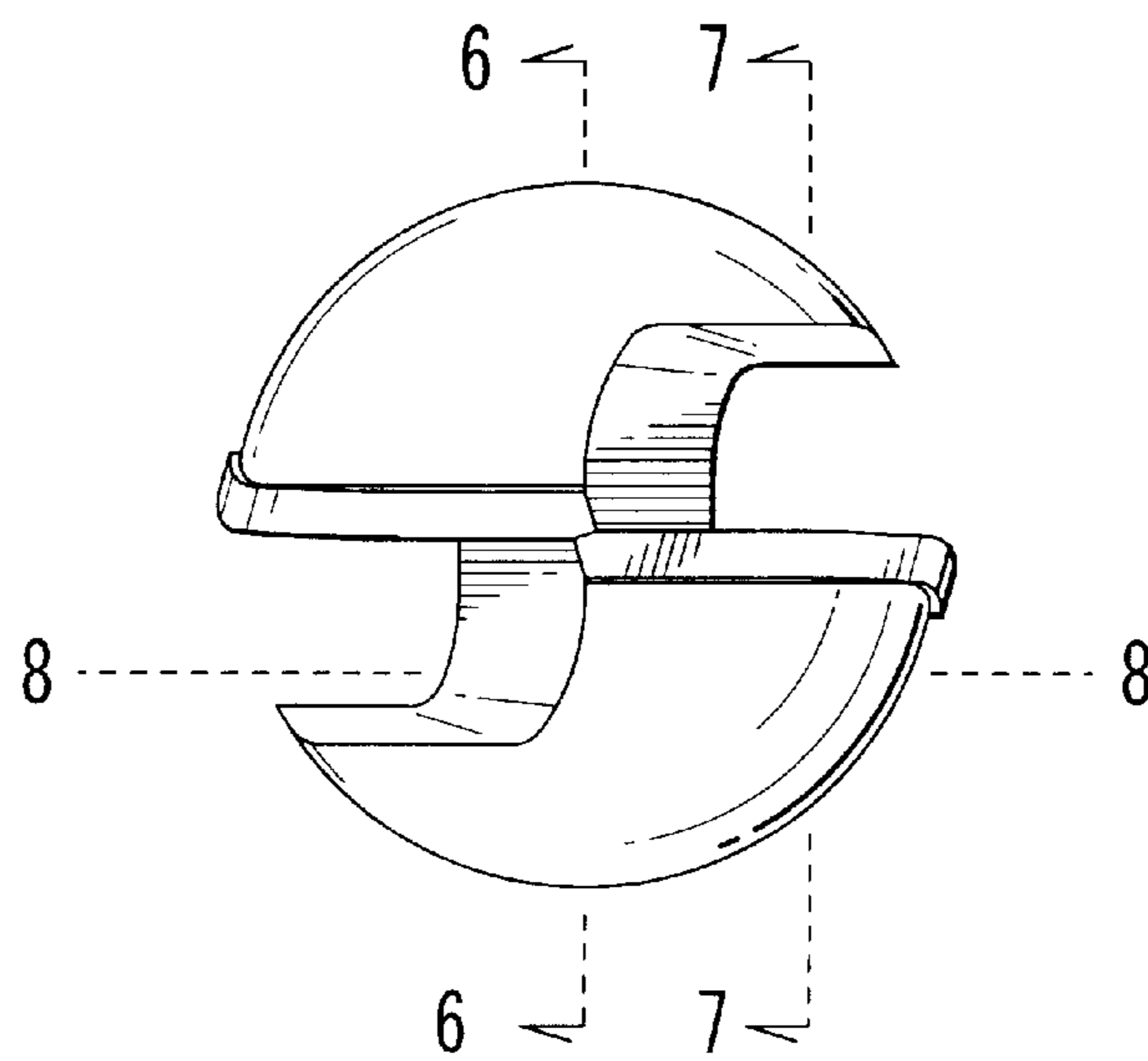


FIG. 4

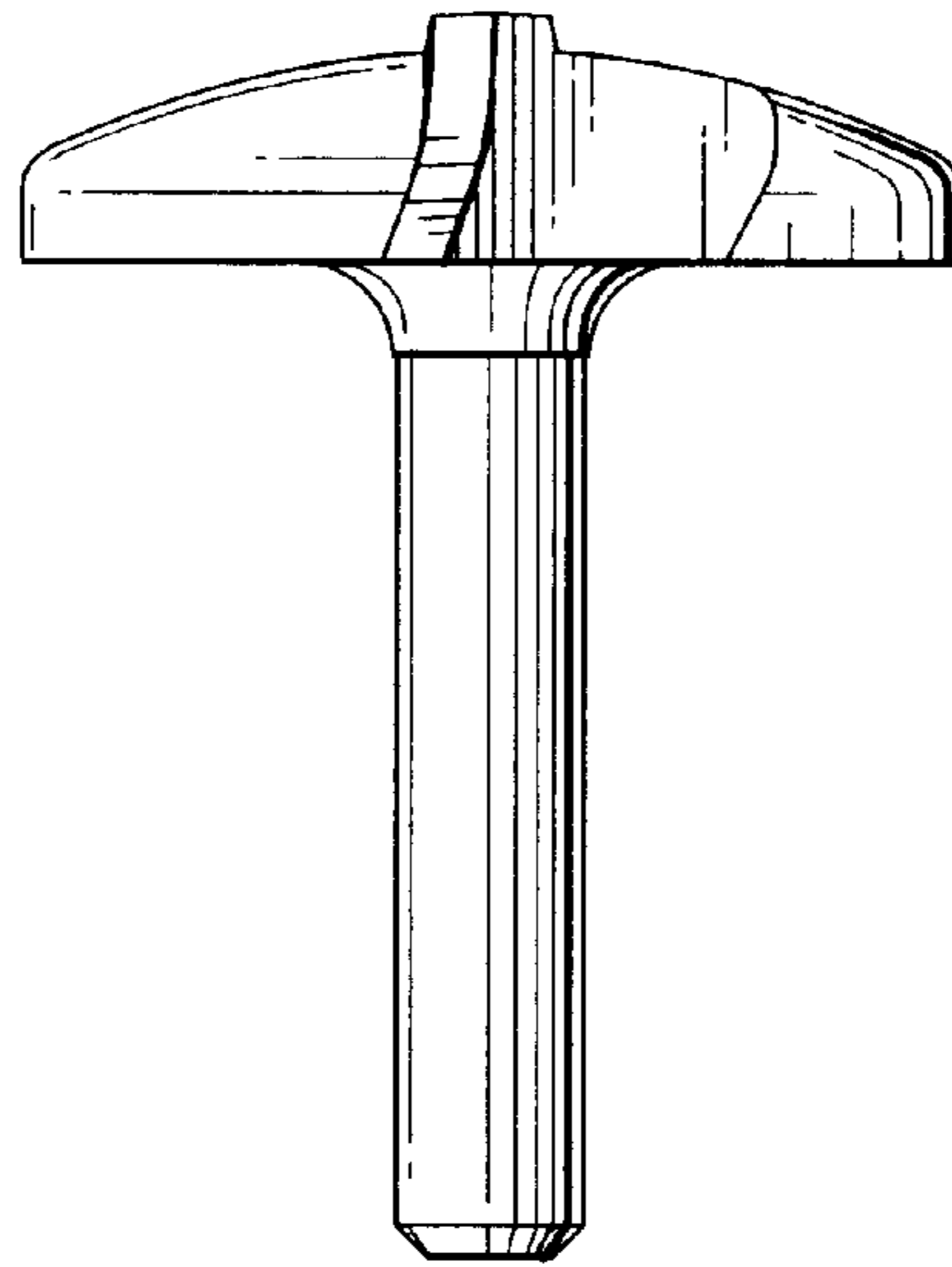


FIG. 5

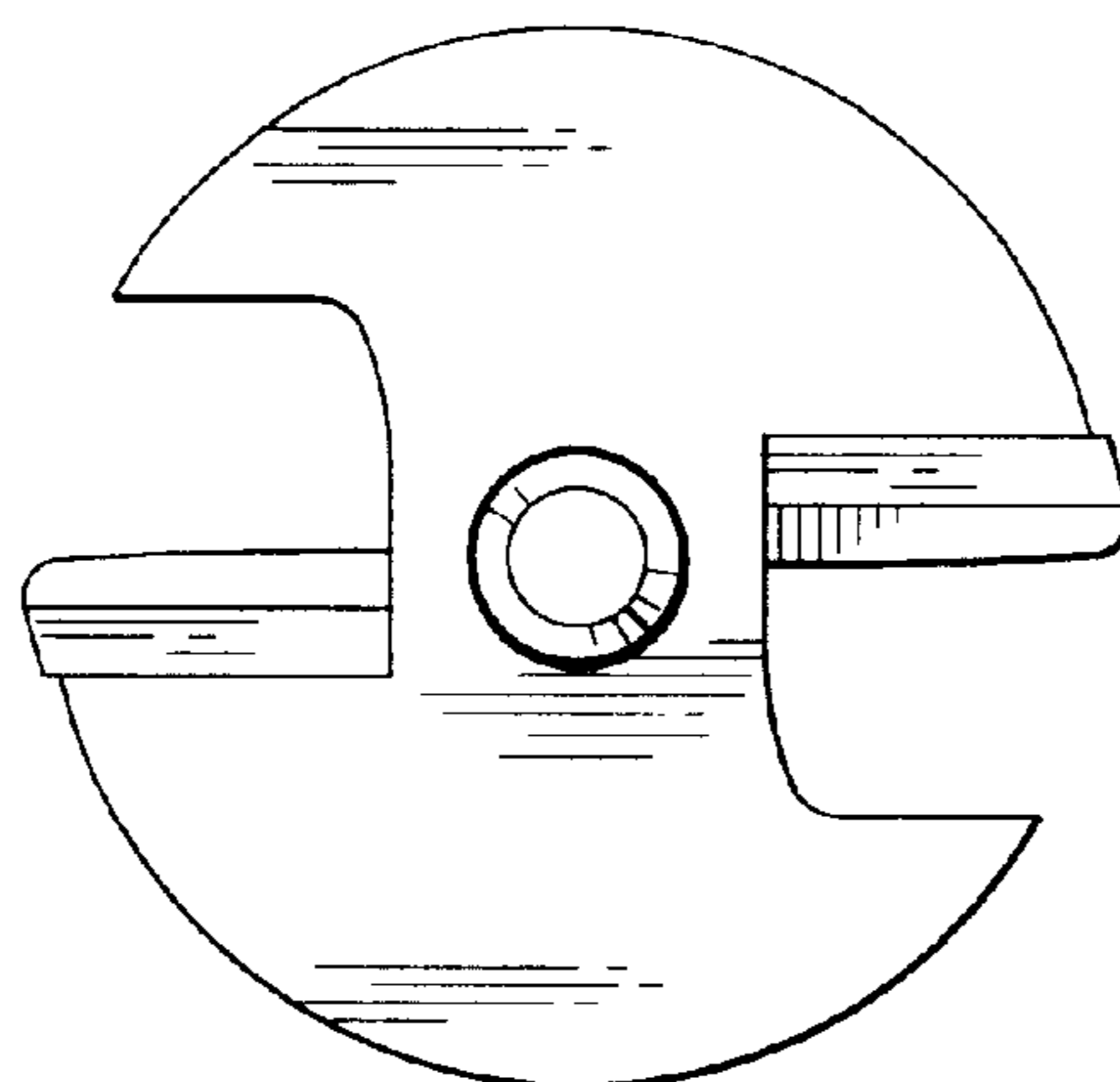


FIG. 6

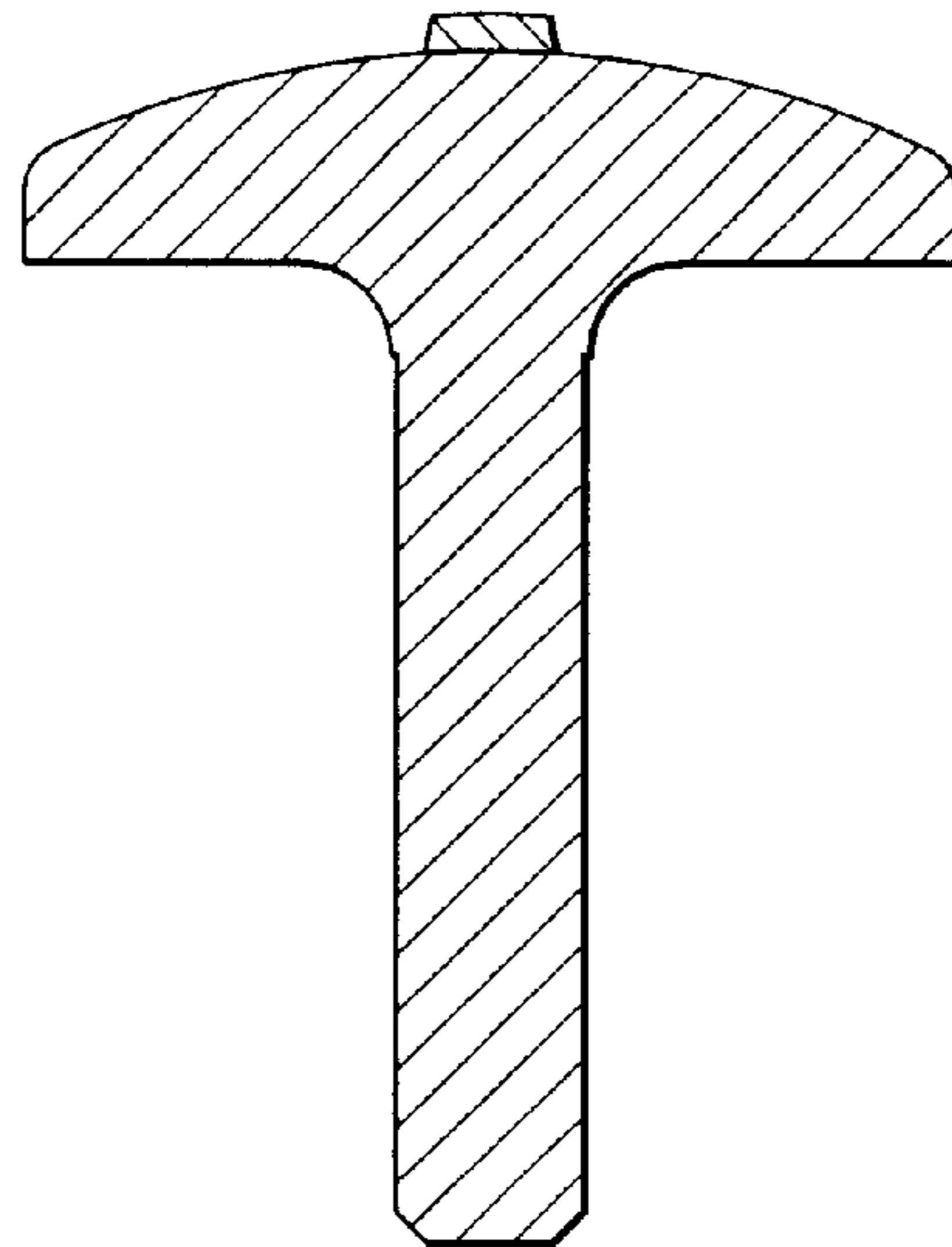


FIG. 7

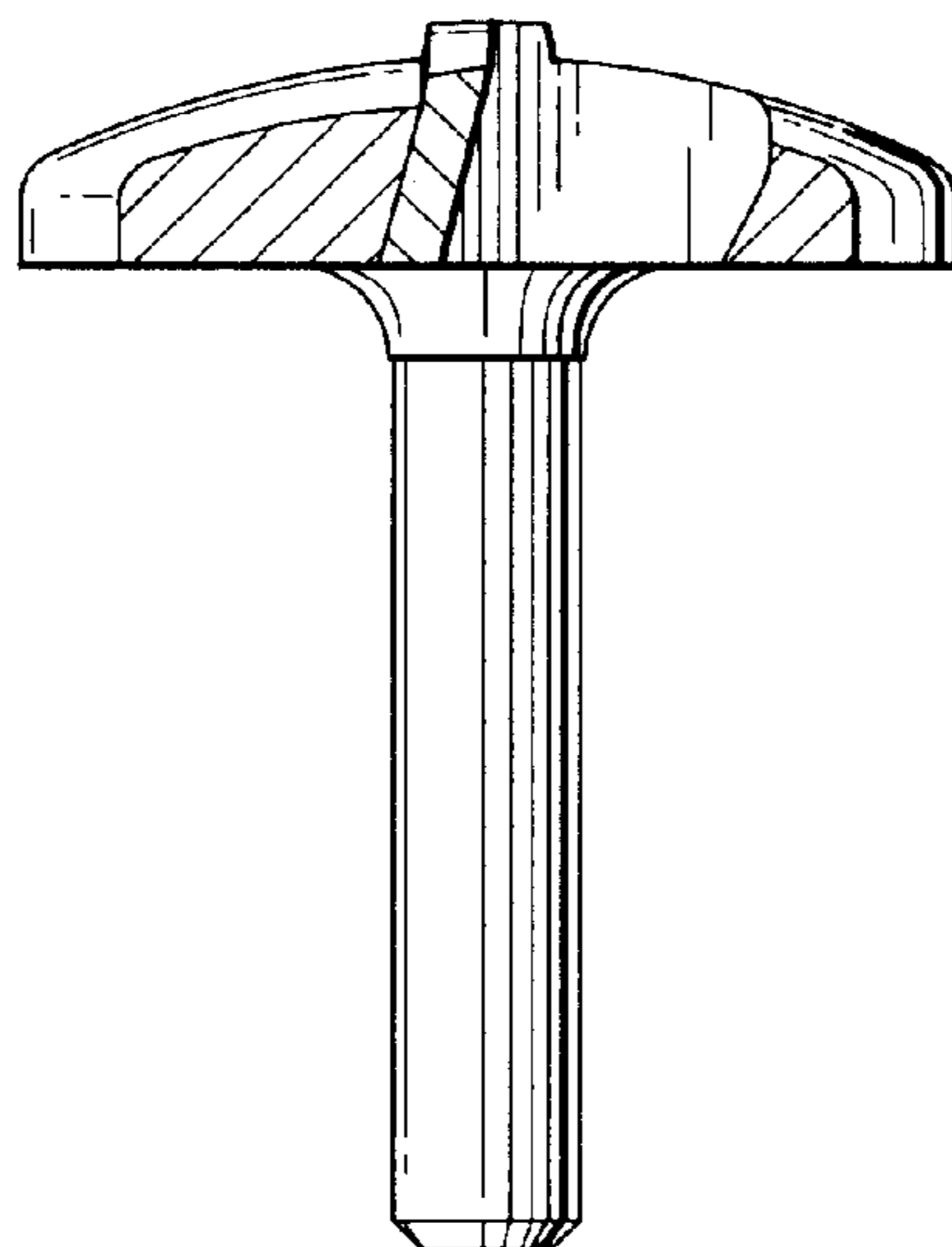


FIG. 8

