



US00D531195S

(12) **United States Design Patent**
Waldron

(10) **Patent No.:** **US D531,195 S**

(45) **Date of Patent:** **** Oct. 31, 2006**

(54) **POWERED MITRE SAW**

(75) **Inventor:** **Michael Waldron**, Chester le Street
(GB)

(73) **Assignee:** **GMCA PTY Ltd.** (AU)

(**) **Term:** **14 Years**

(21) **Appl. No.:** **29/214,494**

(22) **Filed:** **Oct. 4, 2004**

(51) **LOC (8) Cl.** **15-09**

(52) **U.S. Cl.** **D15/133**

(58) **Field of Classification Search** D8/69,
D8/68, 67; D15/133; 83/397, 468.3, 469,
83/471.3; 30/377, 378, 388, 391
See application file for complete search history.

(56) **References Cited**

U.S. PATENT DOCUMENTS

D331,416 S	*	12/1992	Fushiya et al.	D15/133
D336,652 S	*	6/1993	Arehart	D15/133
D345,743 S	*	4/1994	Garcia	D15/133
D346,173 S	*	4/1994	Price	D15/133
D348,272 S	*	6/1994	Brickner	D15/133
D351,393 S	*	10/1994	Sasaki et al.	D15/133
D352,509 S	*	11/1994	Kriaski et al.	D15/133
D366,491 S	*	1/1996	Chang	D15/133
D374,803 S	*	10/1996	Terpstra et al.	D8/66

D383,472 S	*	9/1997	Higuchi et al.	D15/133
D388,443 S	*	12/1997	Kondo	D15/133
D389,494 S	*	1/1998	Chen	D15/133
D391,585 S	*	3/1998	Chen	D15/133
D399,219 S	*	10/1998	Chang	D15/133
D412,510 S	*	8/1999	Chen	D15/133
D415,942 S	*	11/1999	Shibata et al.	D8/66
D513,271 S	*	12/2005	Ozawa et al.	D15/133
D518,495 S	*	4/2006	Firth	D15/133

* cited by examiner

Primary Examiner—Cathron C. Brooks

Assistant Examiner—Austin Murphy

(74) *Attorney, Agent, or Firm*—McKee, Voorhees & Sease,
P.L.C.

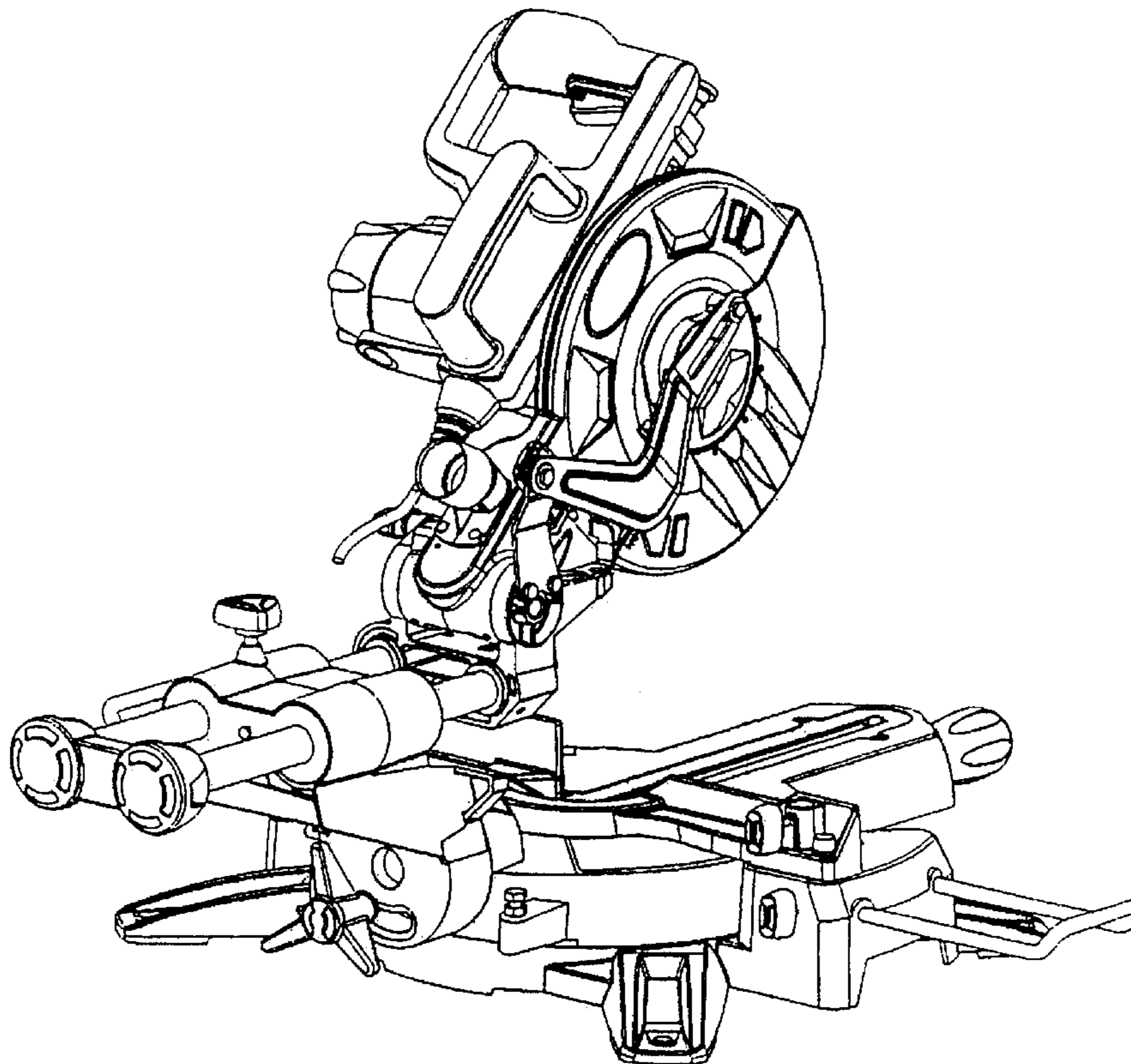
(57) **CLAIM**

I claim the ornamental design for a powered mitre saw,
substantially as shown.

DESCRIPTION

FIG. 1 is a perspective view of the powered mitre saw.
FIG. 2 is a front view of the powered mitre saw.
FIG. 3 is a back view of the powered mitre saw.
FIG. 4 is a first side view of the powered mitre saw.
FIG. 5 is a second side view of the powered mitre saw.
FIG. 6 is an elevational view of the powered mitre saw; and,
FIG. 7 is an underside view of the powered mitre saw.

1 Claim, 7 Drawing Sheets



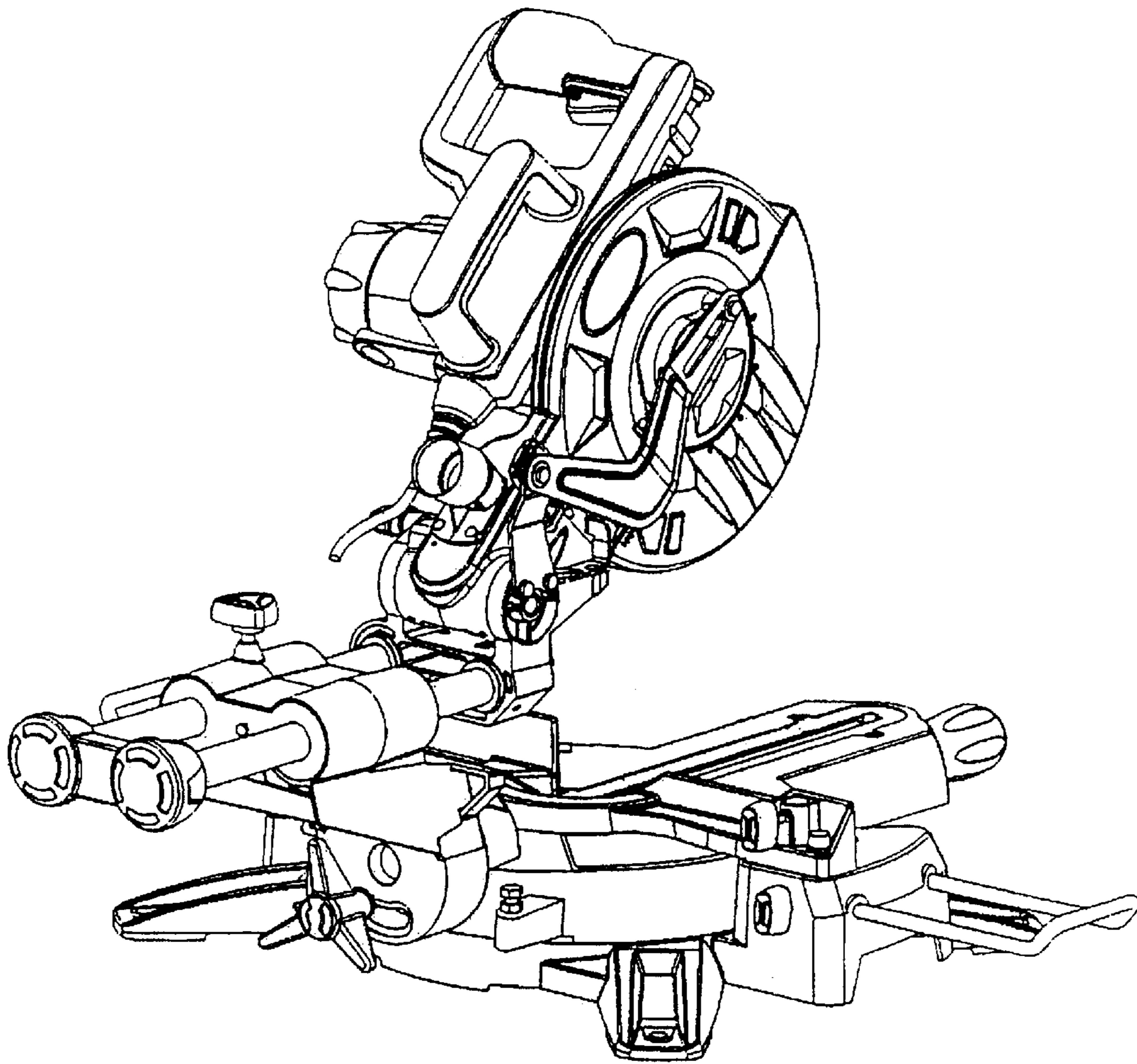


Fig.1

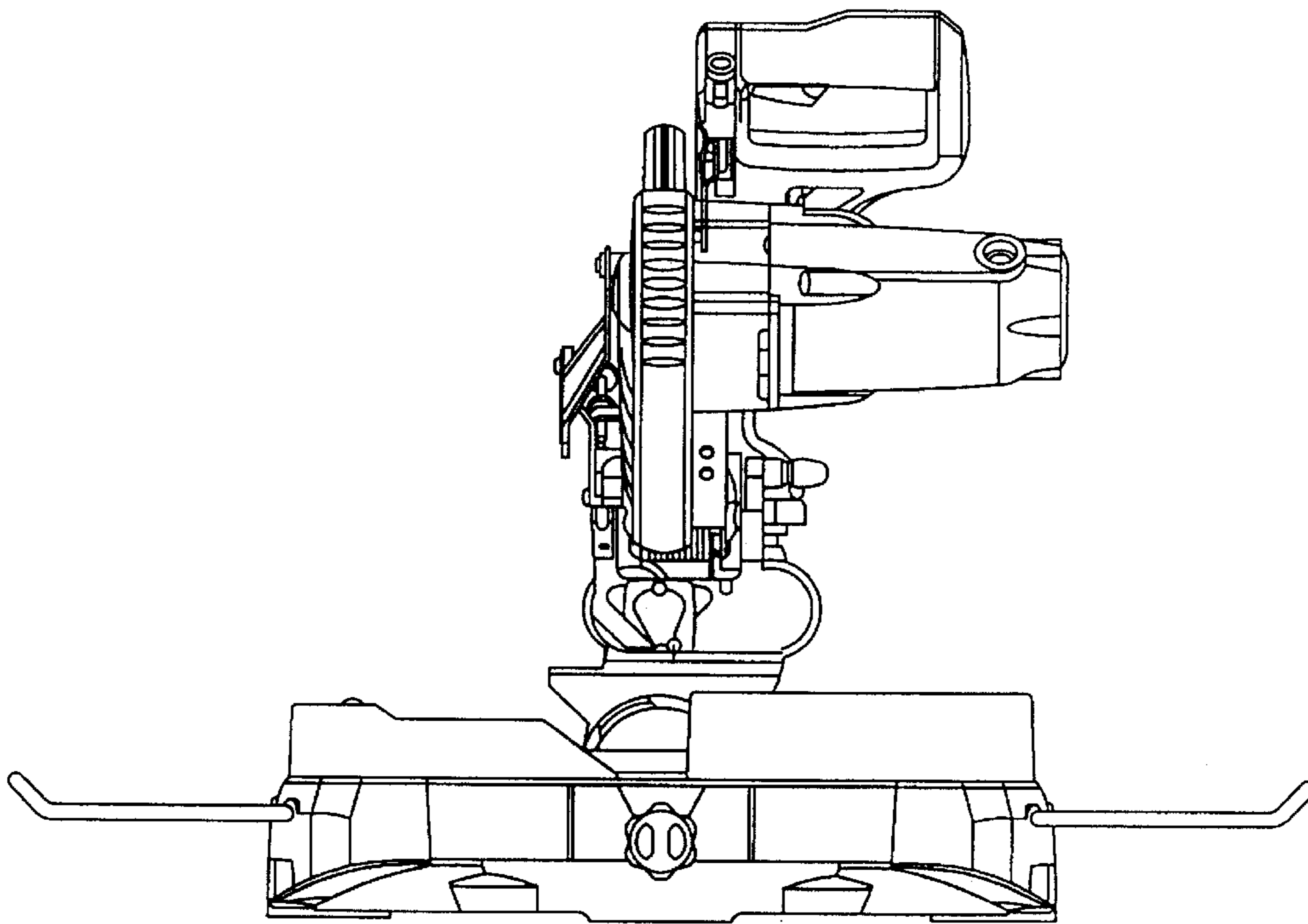


Fig.2

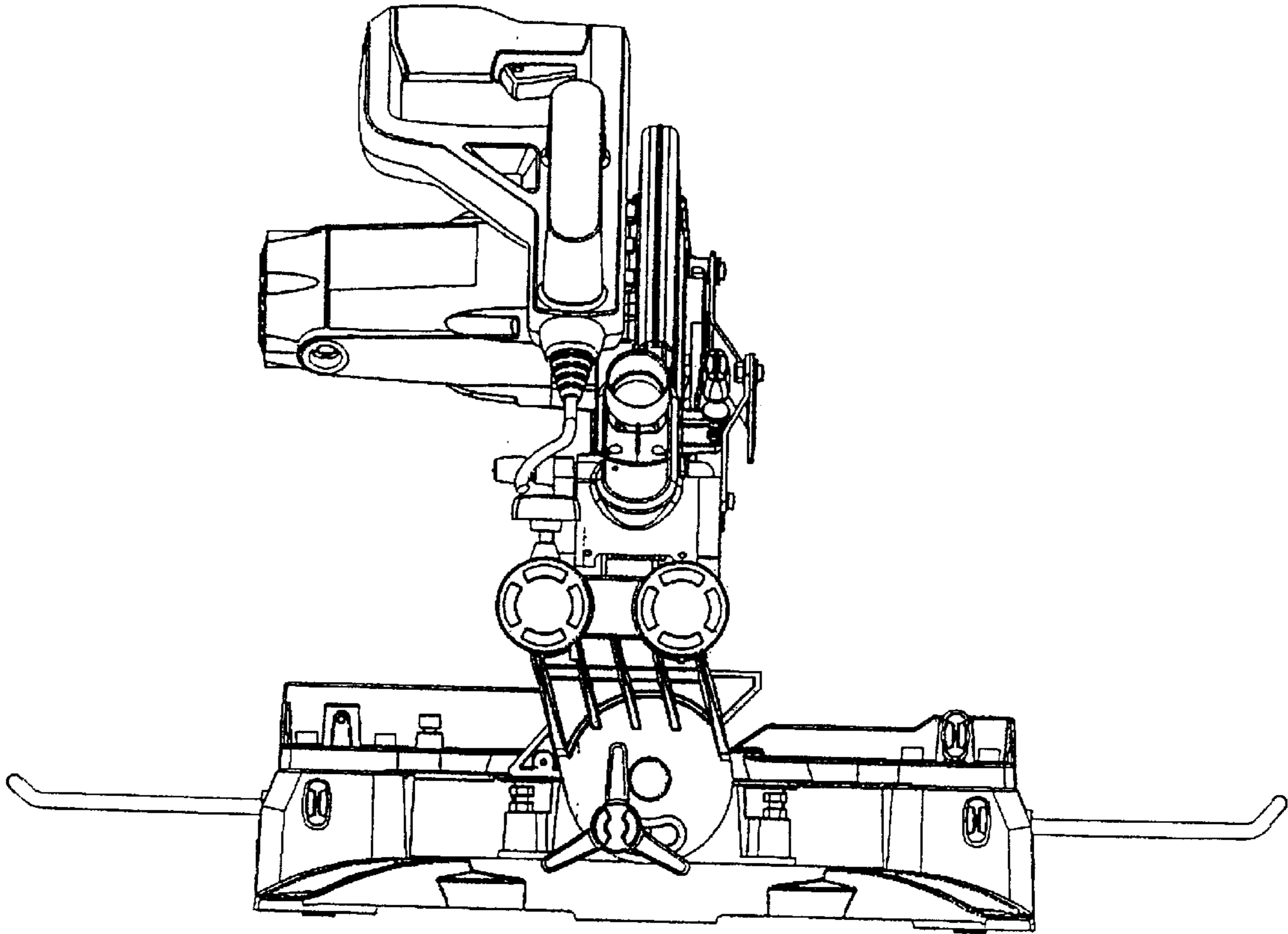


Fig.3

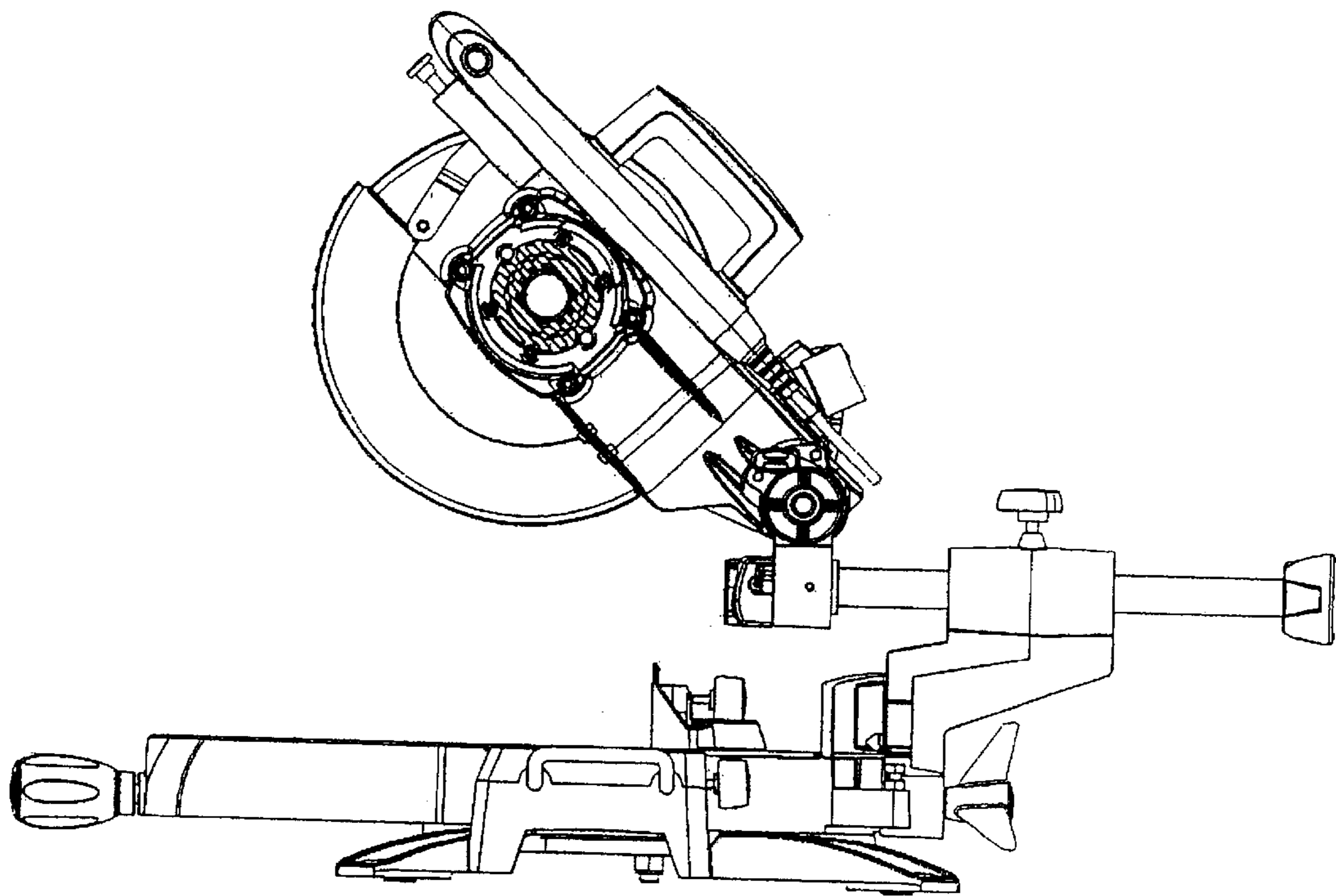


Fig.4

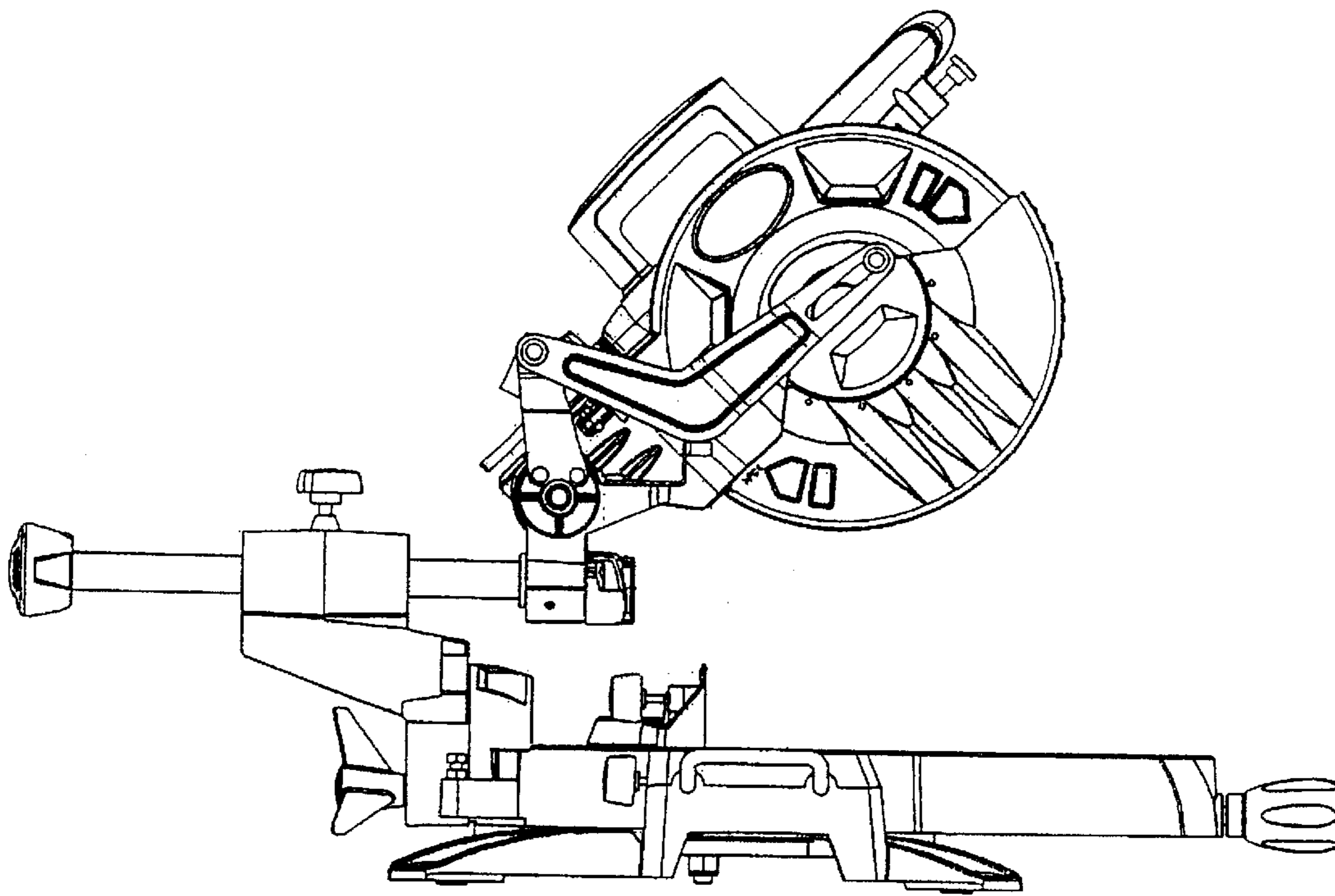


Fig.5

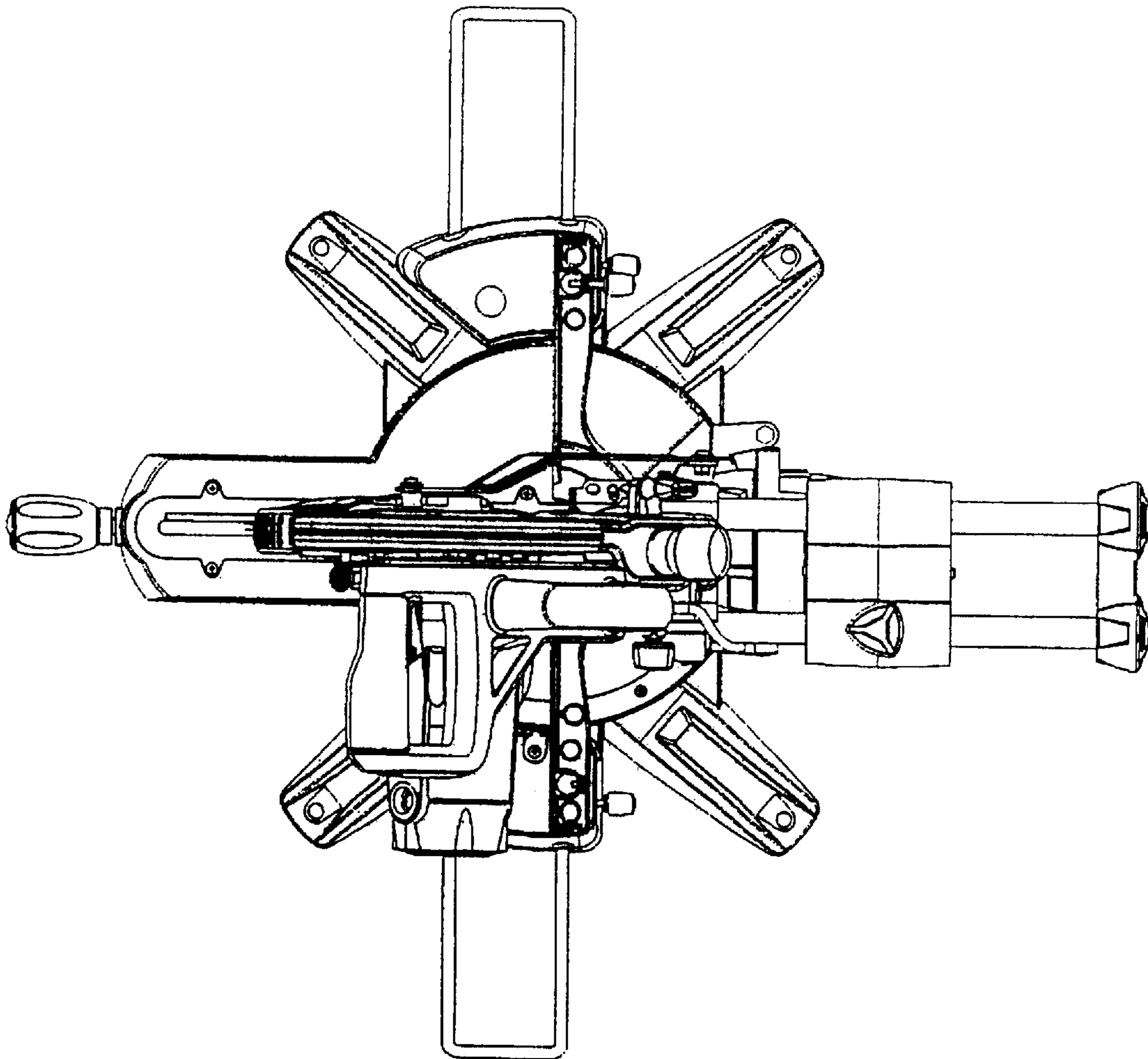


Fig.6

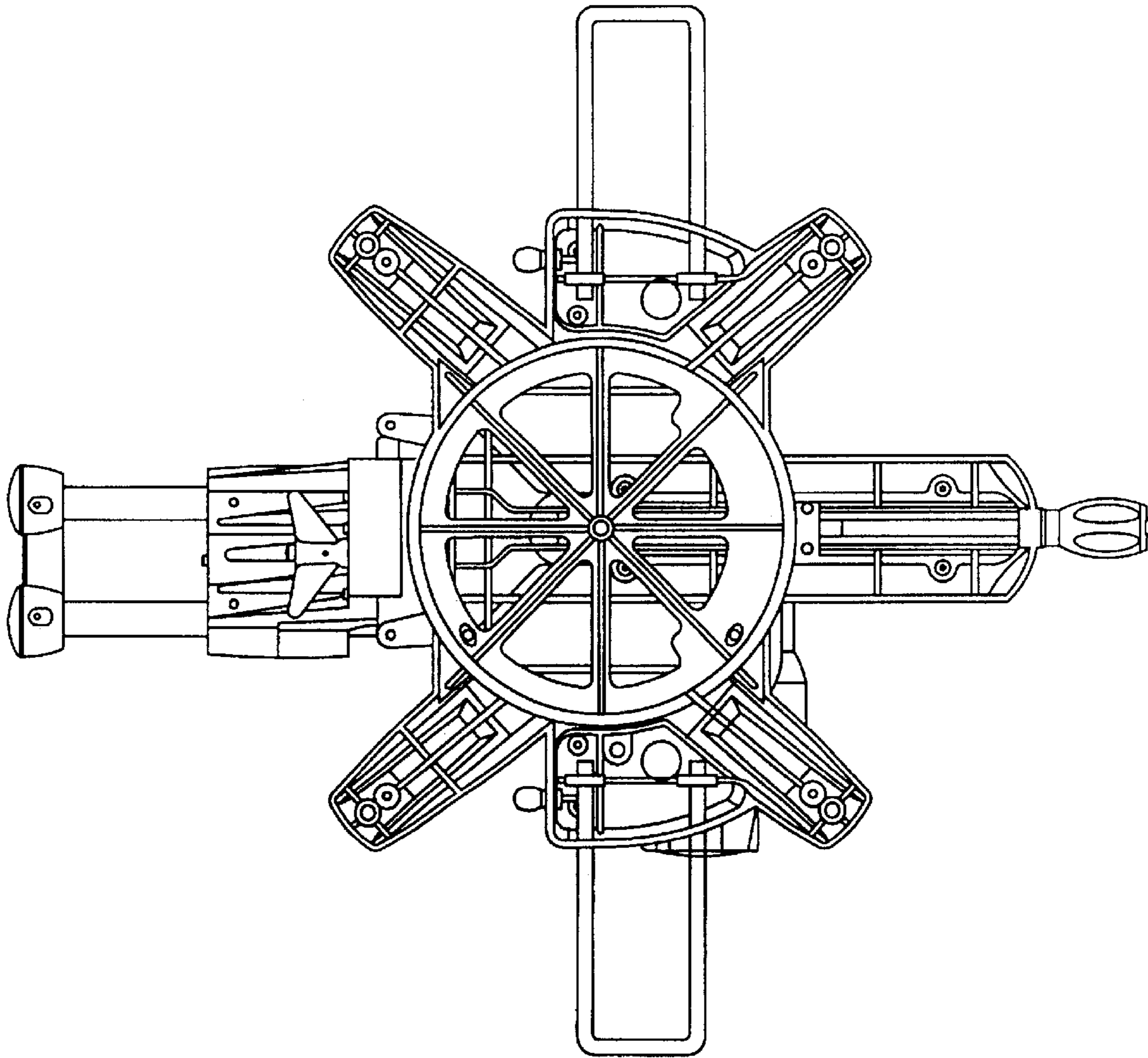


Fig.7