

US00D531194S

(12) **United States Design Patent**
Hertenstein et al.

(10) **Patent No.:** **US D531,194 S**

(45) **Date of Patent:** **** Oct. 31, 2006**

(54) **COMPRESSOR**

(75) Inventors: **Bernd Hertenstein**, Wildberg (DE);
Dominic Kienzle, Renningen (DE)

(73) Assignee: **Bitzer Kuehlmaschinenbau GmbH**,
Sindelfingen (DE)

(**) Term: **14 Years**

(21) Appl. No.: **29/251,613**

(22) Filed: **Jan. 9, 2006**

(30) **Foreign Application Priority Data**

Jul. 12, 2005 (EM) 000372057

(51) **LOC (8) Cl.** **15-02**

(52) **U.S. Cl.** **D15/9**

(58) **Field of Classification Search** D15/7-9;
D23/232, 231; 417/359, 415-416, 410.1,
417/321, 265, 405

See application file for complete search history.

(56) **References Cited**

U.S. PATENT DOCUMENTS

D479,245 S * 9/2003 Leu D15/7
D479,247 S * 9/2003 Ullrich D15/9
D487,473 S * 3/2004 Saito et al. D15/9

* cited by examiner

Primary Examiner—Ralf Seifert

(74) *Attorney, Agent, or Firm*—Lipsitz & McAllister, LLC

(57) **CLAIM**

The ornamental design for a compressor, as shown and described.

DESCRIPTION

FIG. 1 is a front elevational view of the compressor showing our new design, in which the elements shown in broken lines form no part of the design;

FIG. 2 is a top plan view of the design, in which the elements shown in broken lines form no part of the design;

FIG. 3 is a rear elevational view of the design, in which the elements shown in broken lines form no part of the design;

FIG. 4 is a bottom plan view of the design, in which the elements shown in broken lines form no part of the design;

FIG. 5 is a right side elevational view of the design, in which the elements shown in broken lines form no part of the design;

FIG. 6 is a left side elevational view of the design;

FIG. 7 is a front elevational view of a second embodiment of the design, without broken lines;

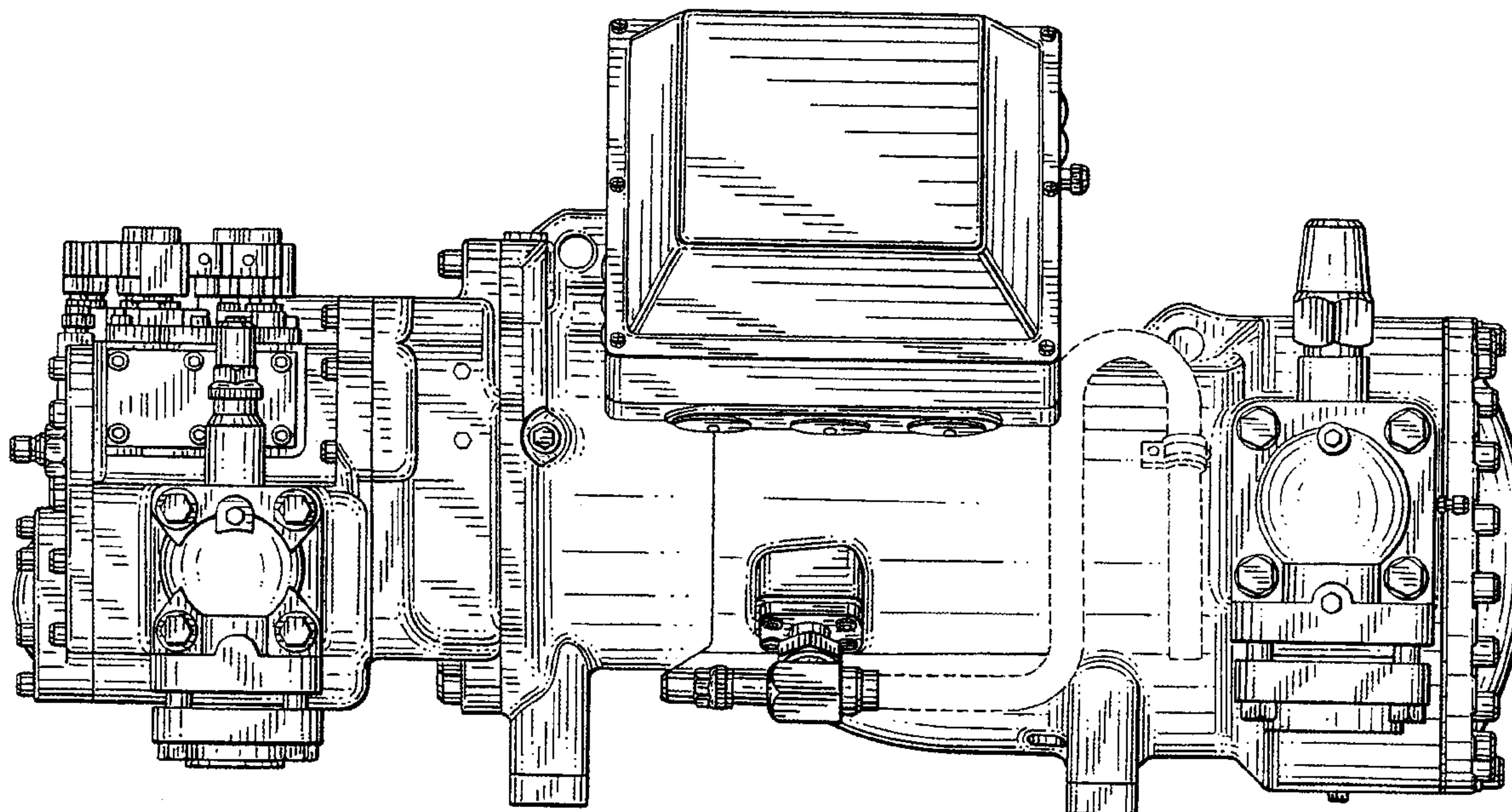
FIG. 8 is a top plan view of the second embodiment;

FIG. 9 is a rear elevational view of the second embodiment;

FIG. 10 is a bottom plan view of the second embodiment;

and,
FIG. 11 is a right side elevational view of the second embodiment, the left side elevational view of the second embodiment being the same as shown in FIG. 6.

1 Claim, 11 Drawing Sheets



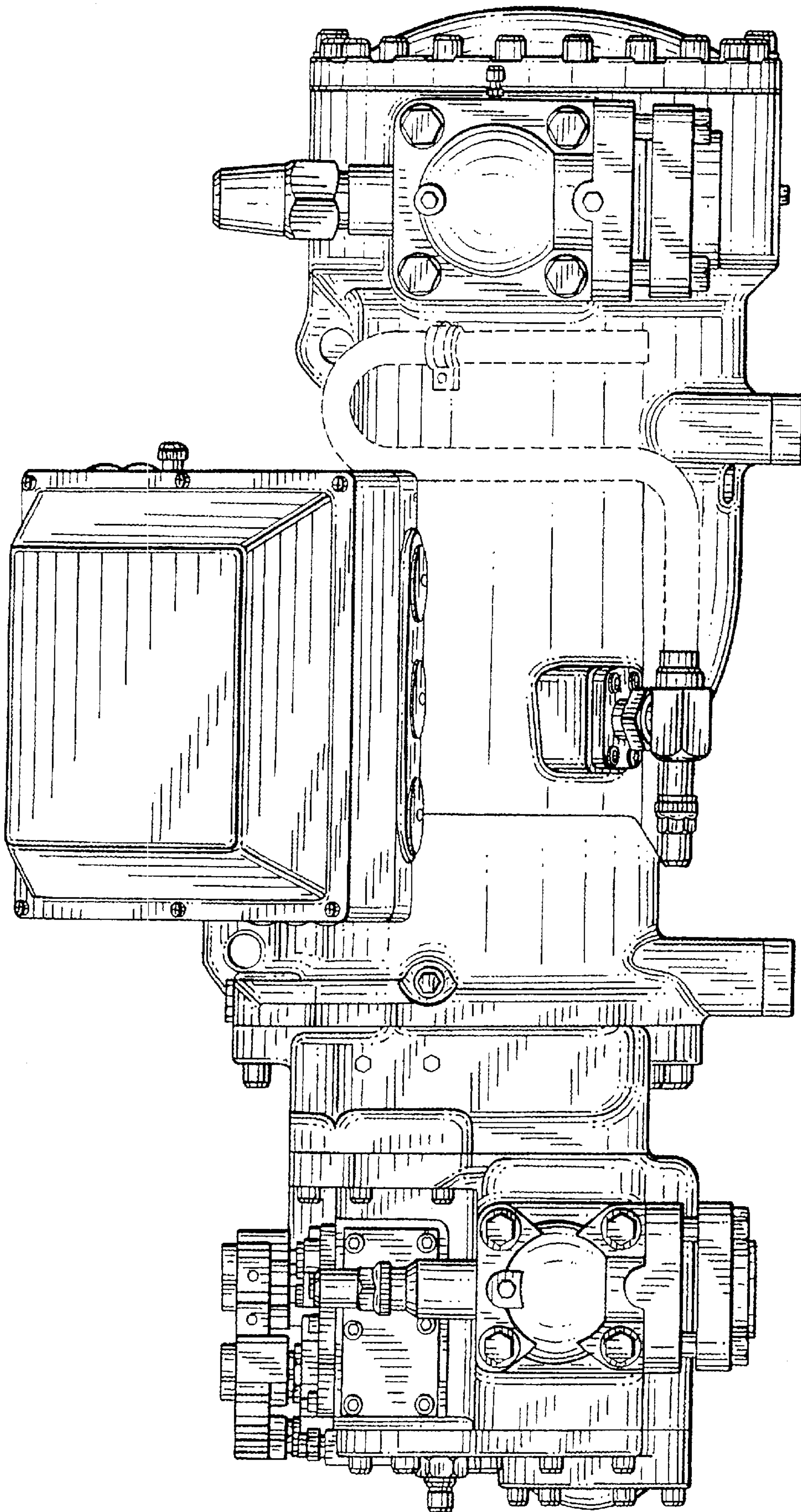


FIG.1

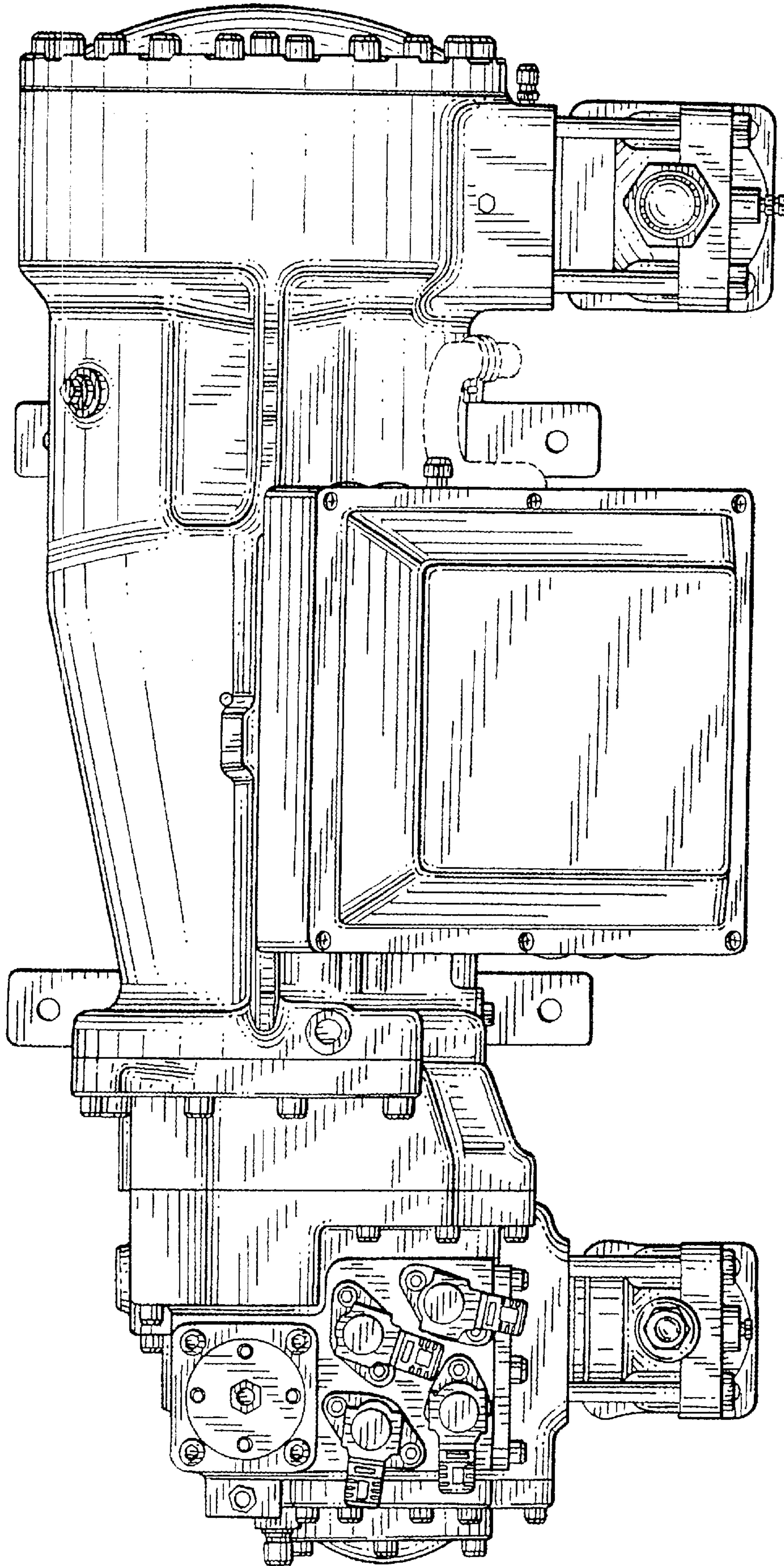


FIG.2

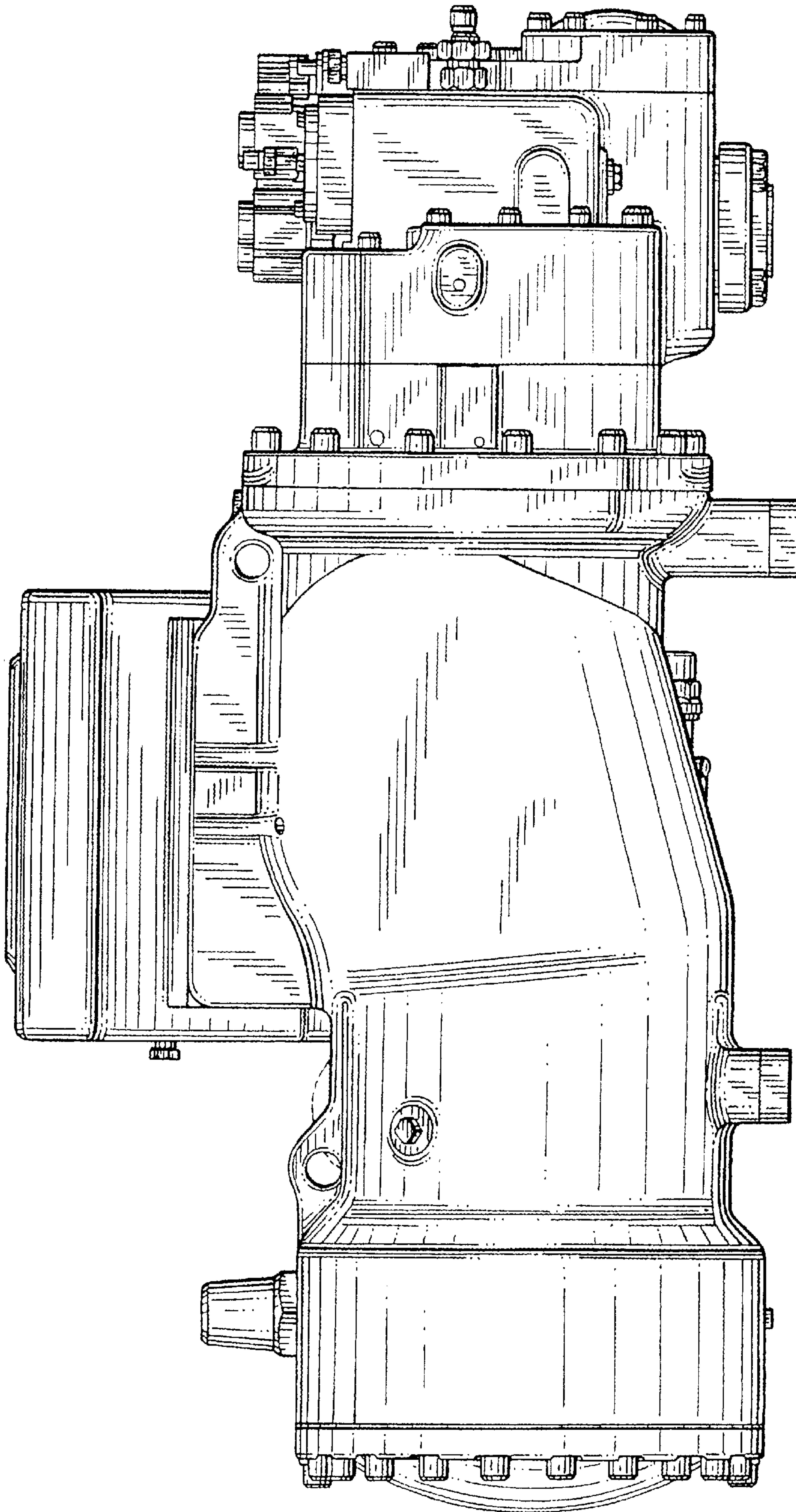


FIG. 3

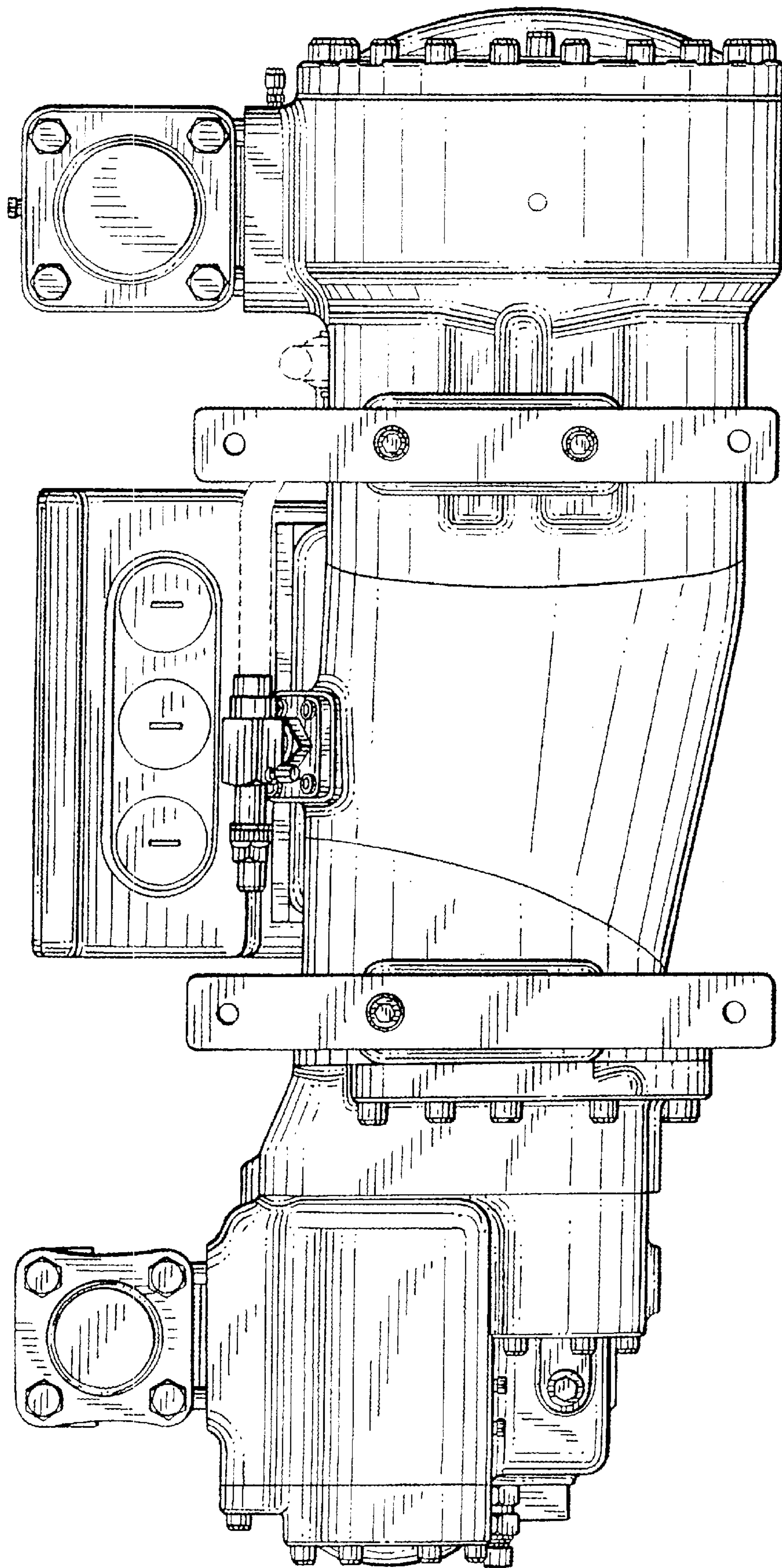


FIG. 4

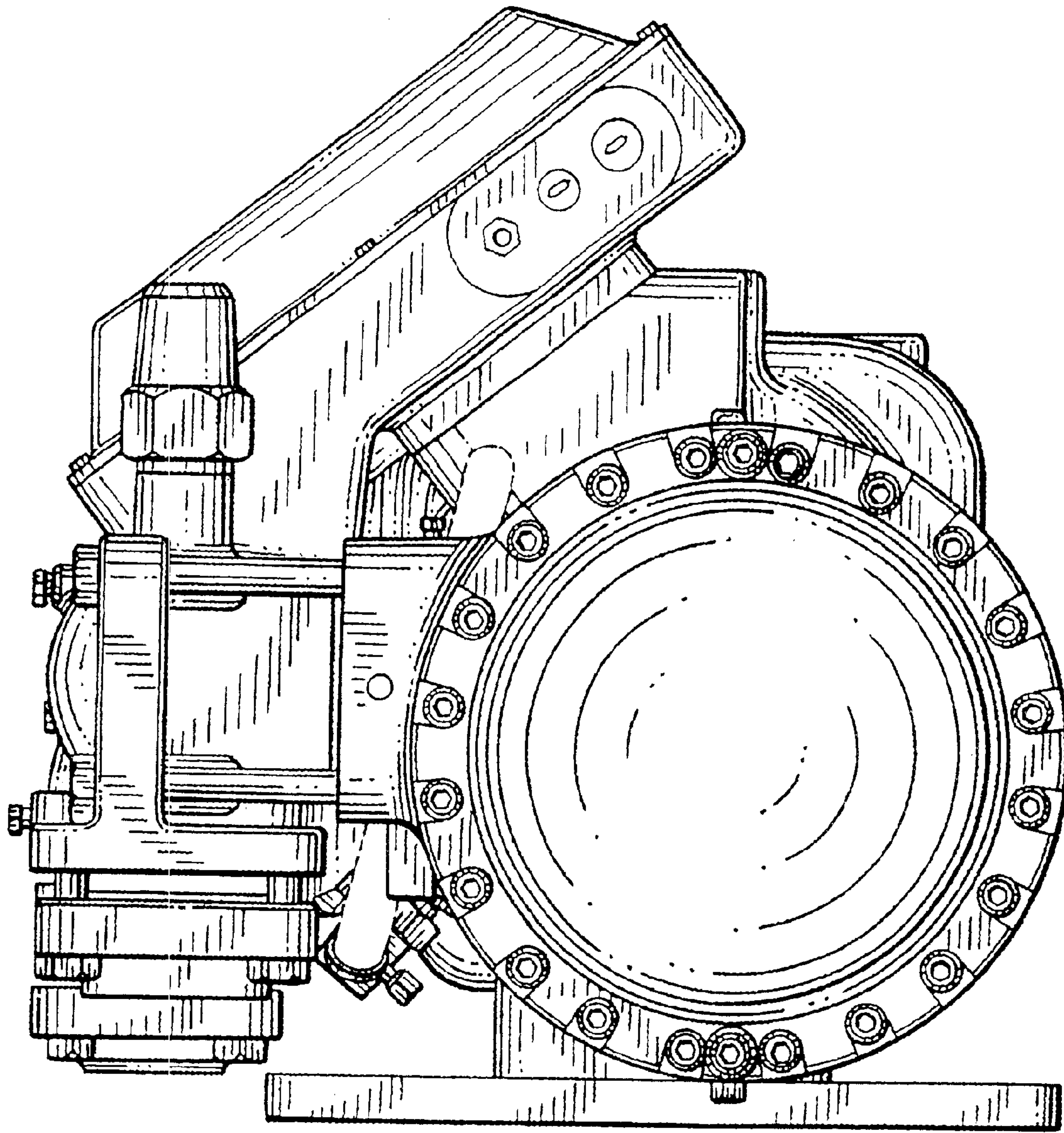


FIG.5

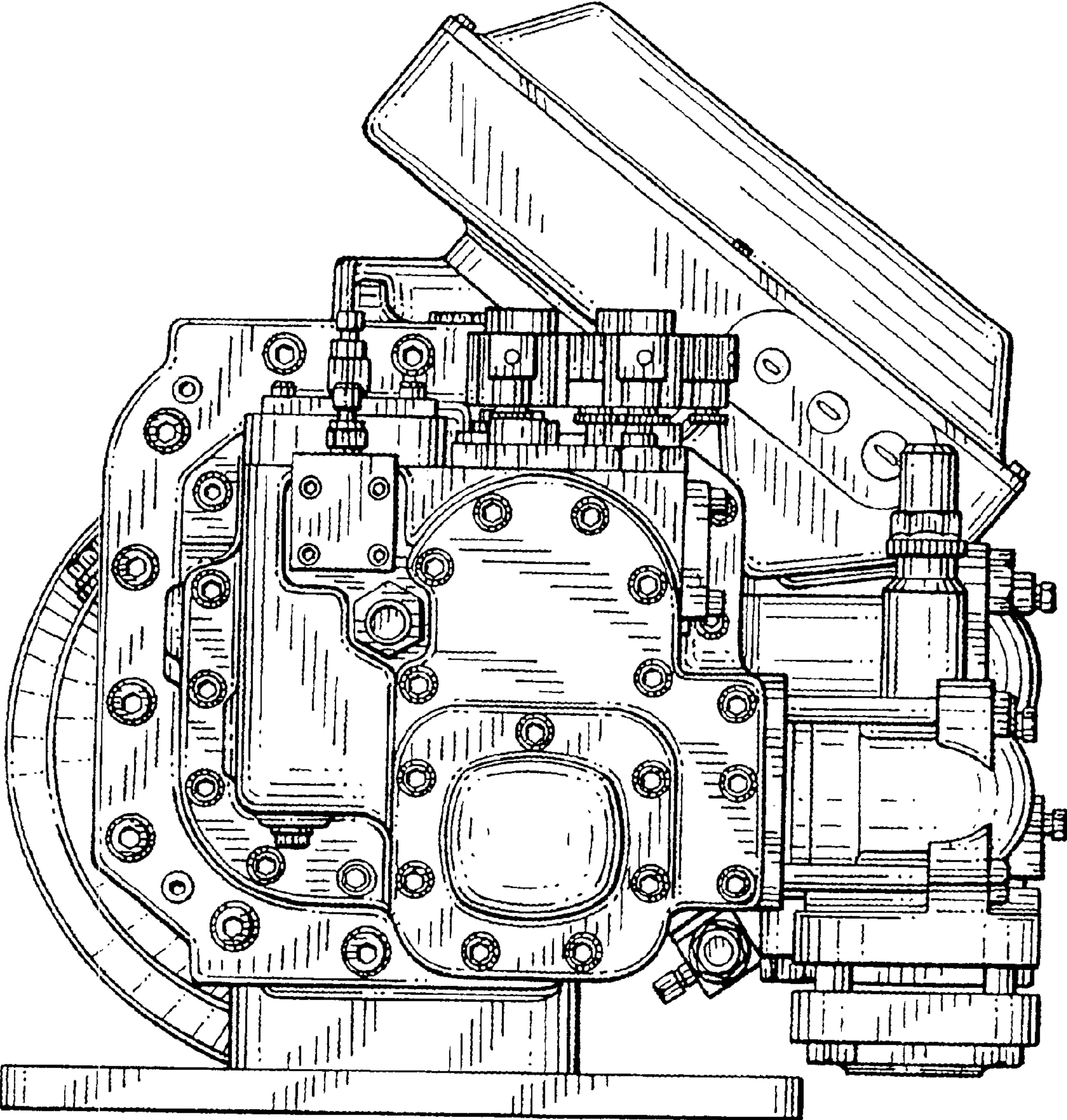


FIG. 6

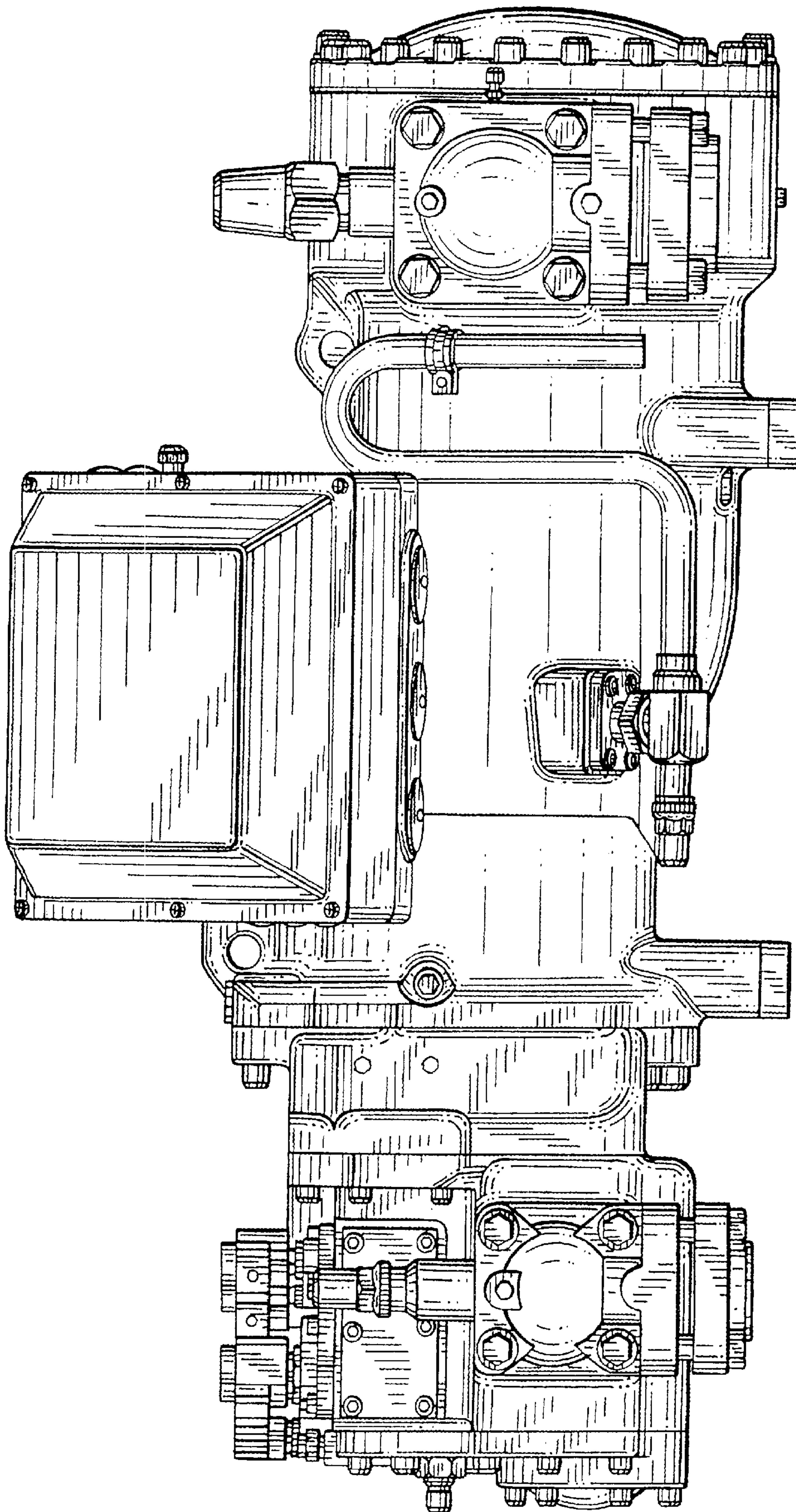


FIG.7

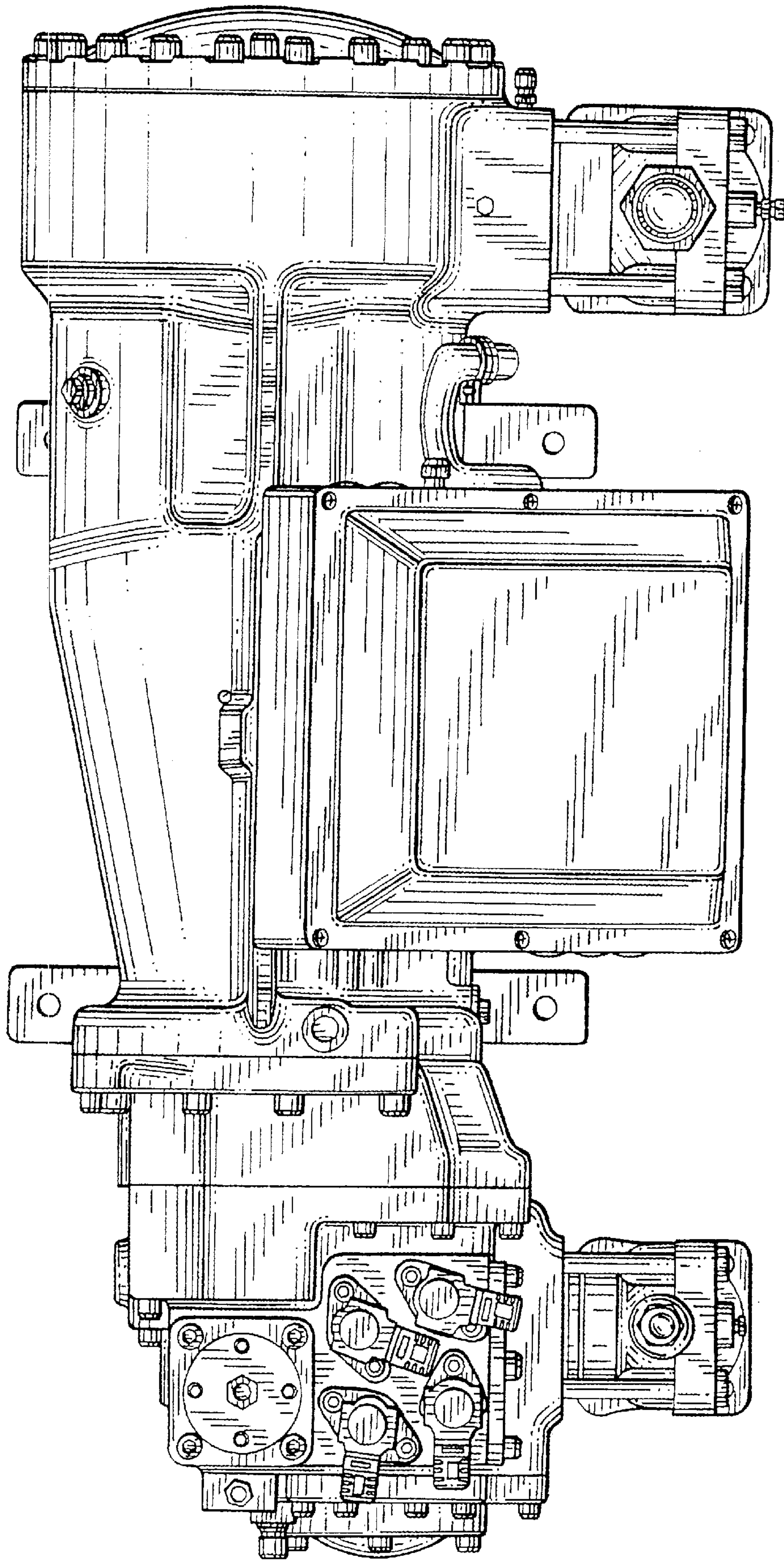


FIG. 8

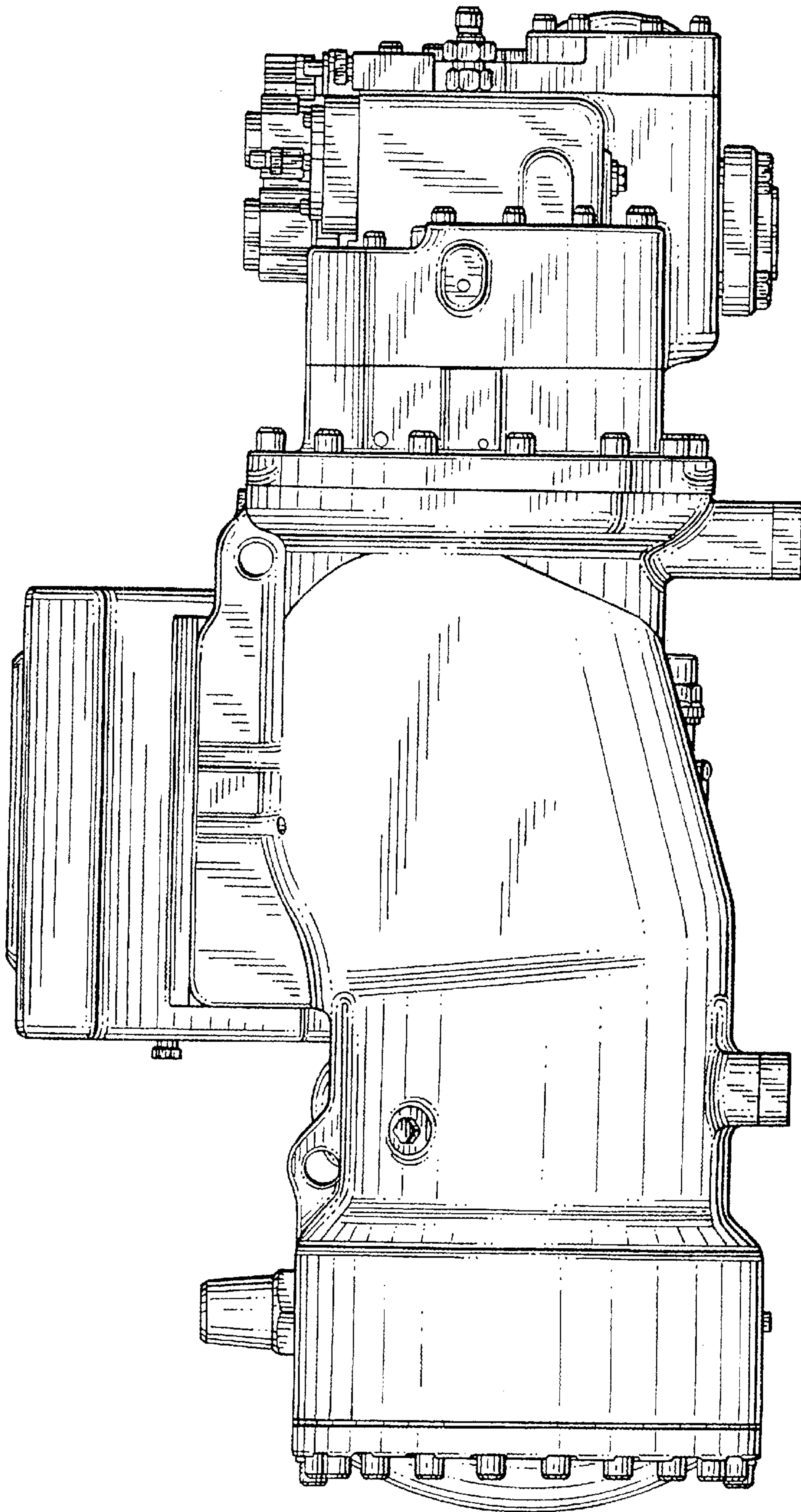


FIG. 9

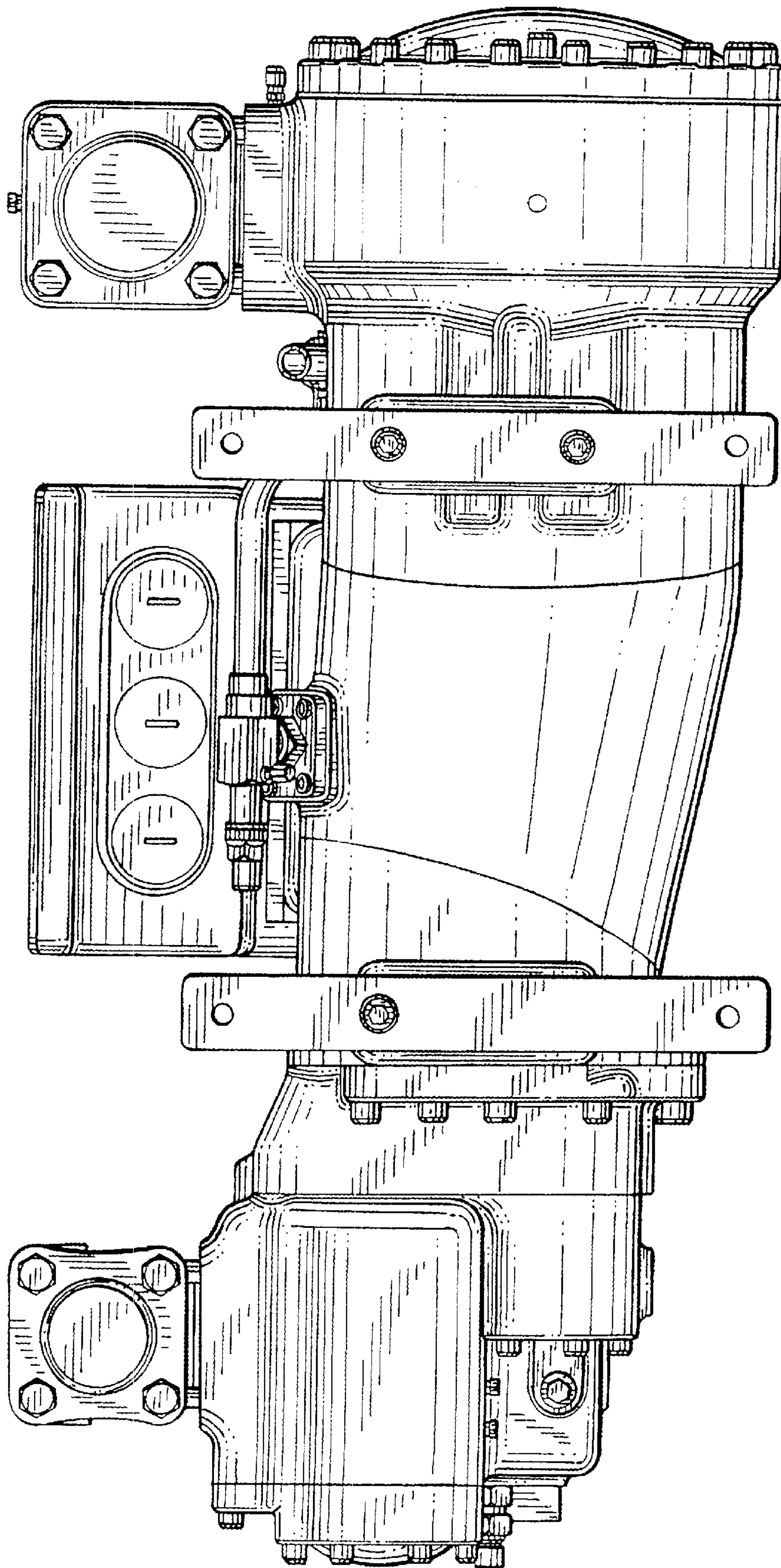


FIG. 10

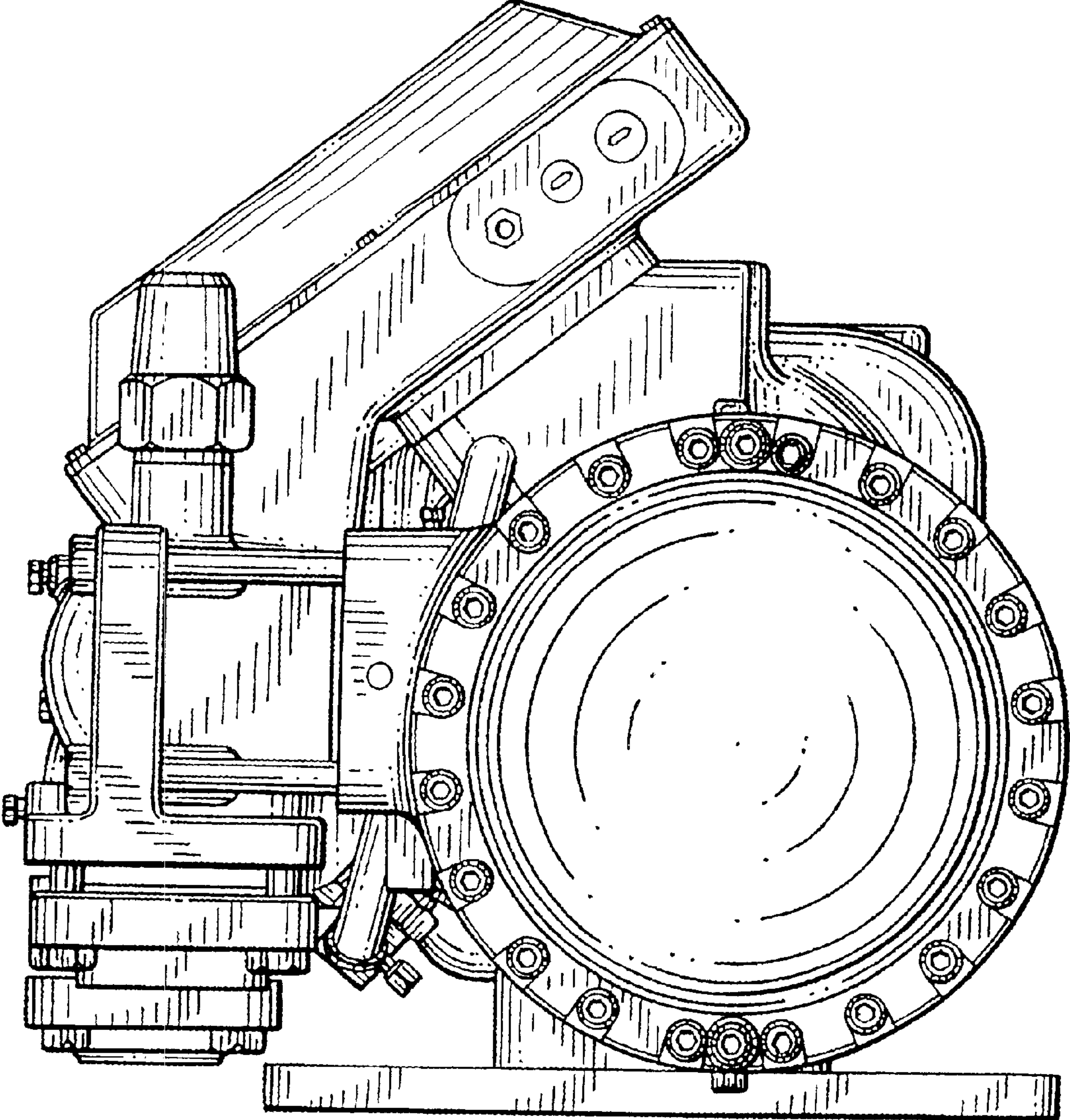


FIG. 11