

US00D531193S

(12) **United States Design Patent**
Caito

(10) **Patent No.:** **US D531,193 S**

(45) **Date of Patent:** **** Oct. 31, 2006**

(54) **COMPACT COMPRESSOR DEVICE**

(75) Inventor: **Vince Caito**, Pomona, CA (US)

(73) Assignee: **Alltrade Tools LLC**, Long Beach, CA (US)

(**) Term: **14 Years**

(21) Appl. No.: **29/245,564**

(22) Filed: **Dec. 22, 2005**

(51) **LOC (8) Cl.** **15-02**

(52) **U.S. Cl.** **D15/9**

(58) **Field of Classification Search** D15/7-9;
D23/232, 231; 417/359, 415-416, 410.1,
417/321, 265, 405

See application file for complete search history.

(56) **References Cited**

U.S. PATENT DOCUMENTS

D513,619 S * 1/2006 Hernandez et al. D15/9

* cited by examiner

Primary Examiner—Ralf Seifert

(74) *Attorney, Agent, or Firm*—Fulwider Patton LLP

(57) **CLAIM**

The new ornamental design of a compact compressor device, as shown and described.

DESCRIPTION

FIG. 1 is a perspective view, depicting a compact compressor device;

FIG. 2 is an elevation view, depicting a rear side of the compact compressor device of FIG. 1;

FIG. 3 is an elevation view, depicting a left side of the compact compressor device of FIG. 1;

FIG. 4 is an elevation view, depicting a right side of the compact compressor device of FIG. 1;

FIG. 5 is a top view, depicting an upper side of the compact compressor device of FIG. 1; and,

FIG. 6 is a bottom view, depicting an underside of the compact compressor device of FIG. 1.

It being understood that the broken lines are for exemplary illustrative purposes only and form no part of the claimed design.

1 Claim, 3 Drawing Sheets

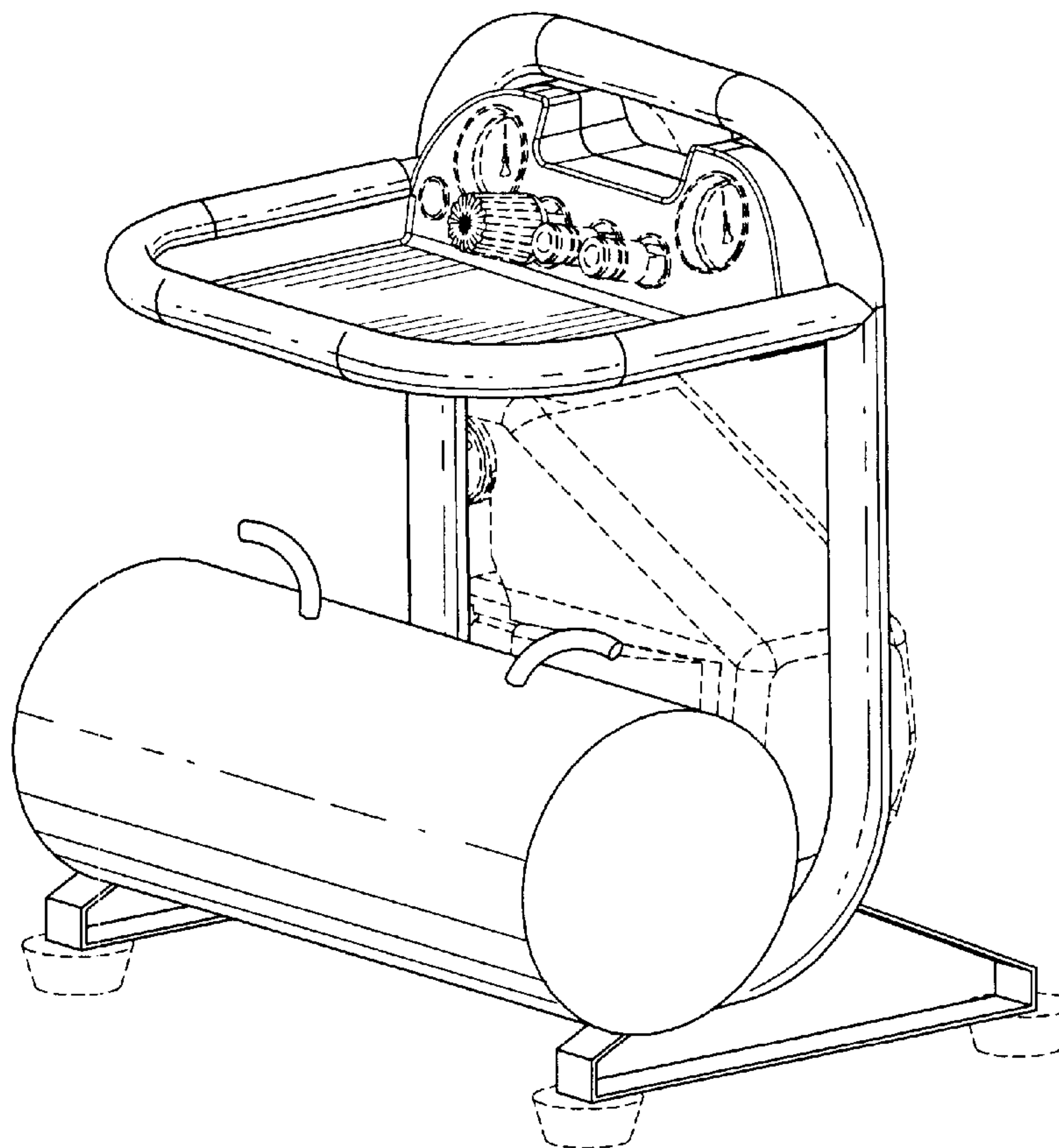


FIG. 1

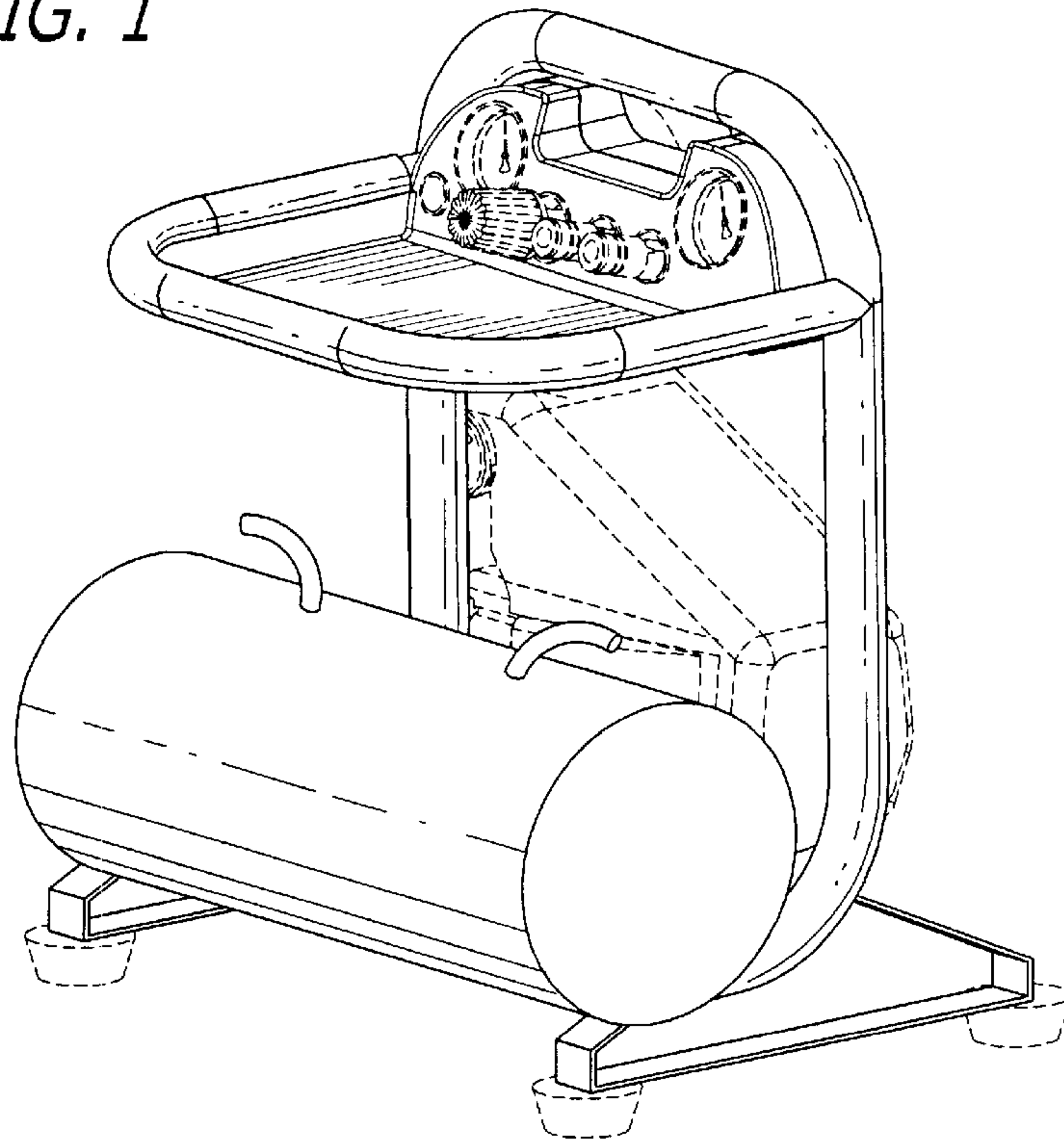


FIG. 2

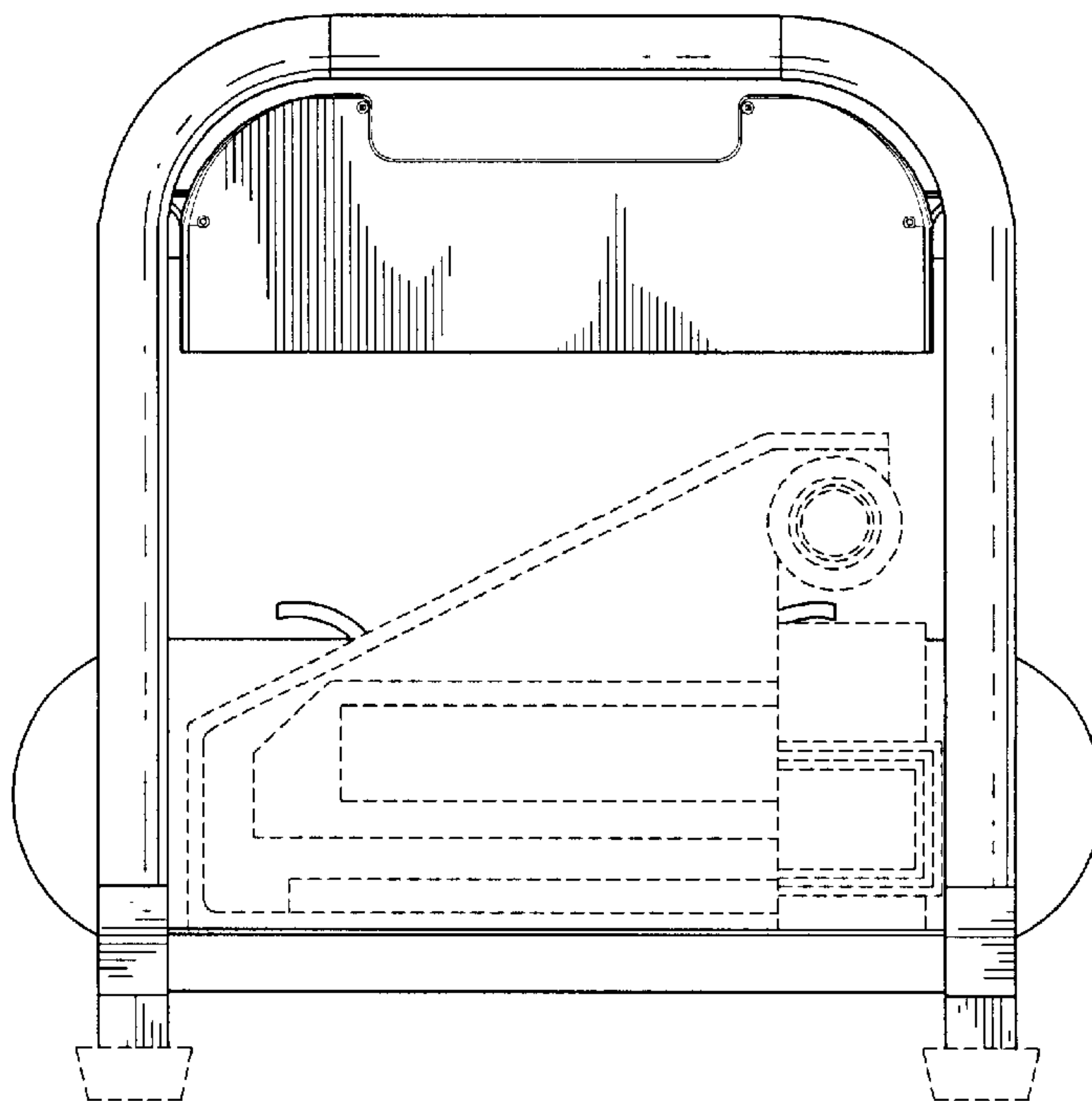


FIG. 3

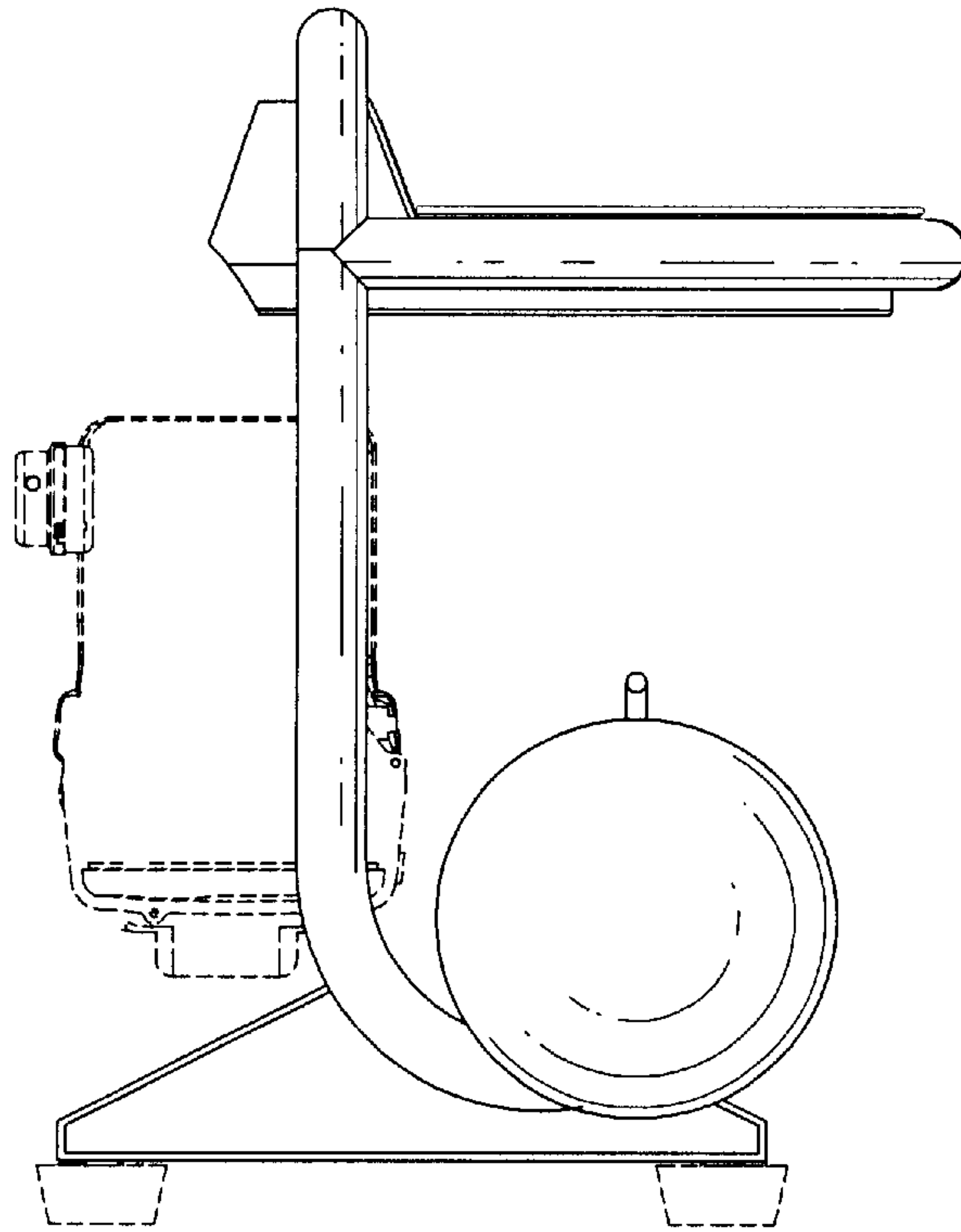


FIG. 4

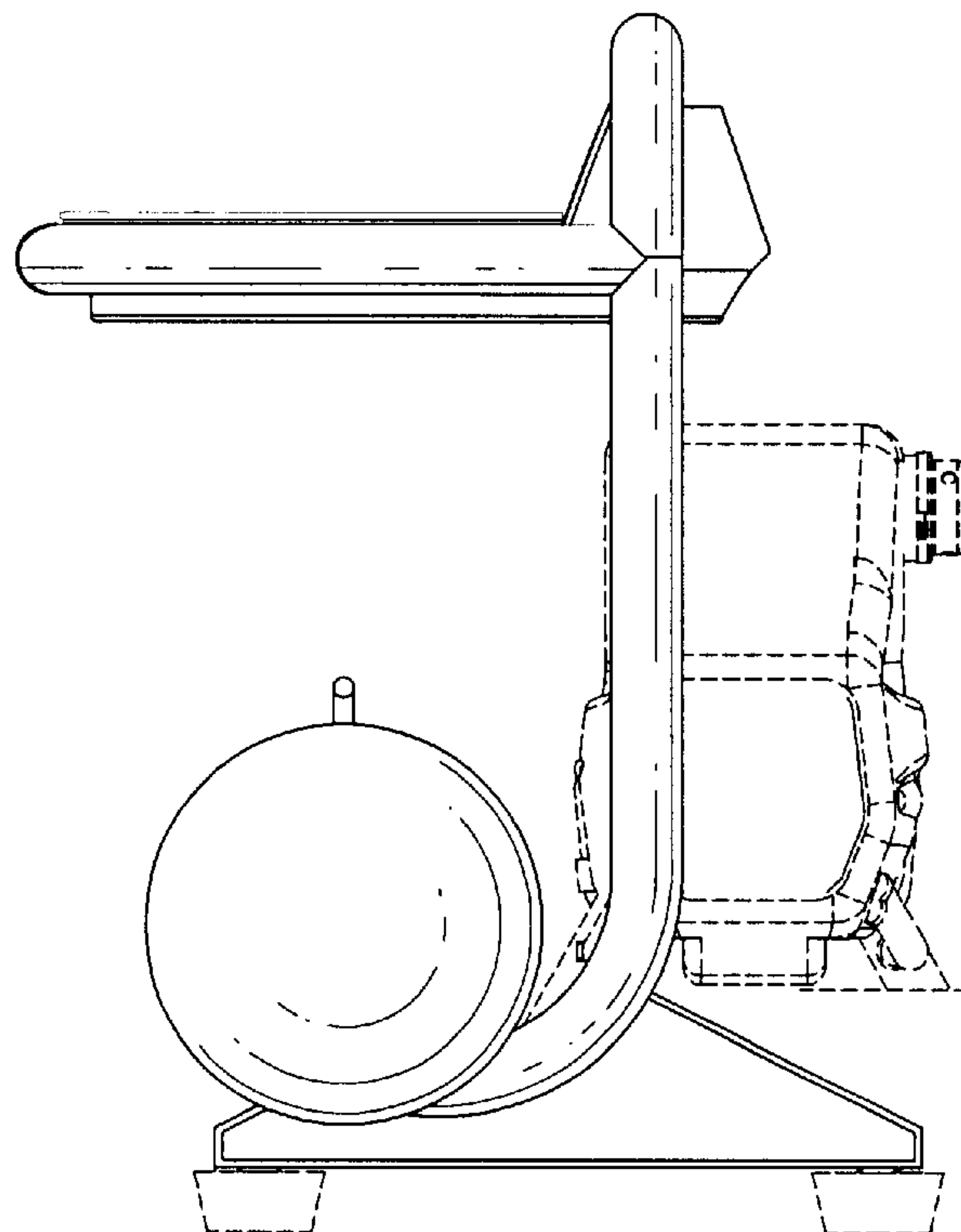


FIG. 5

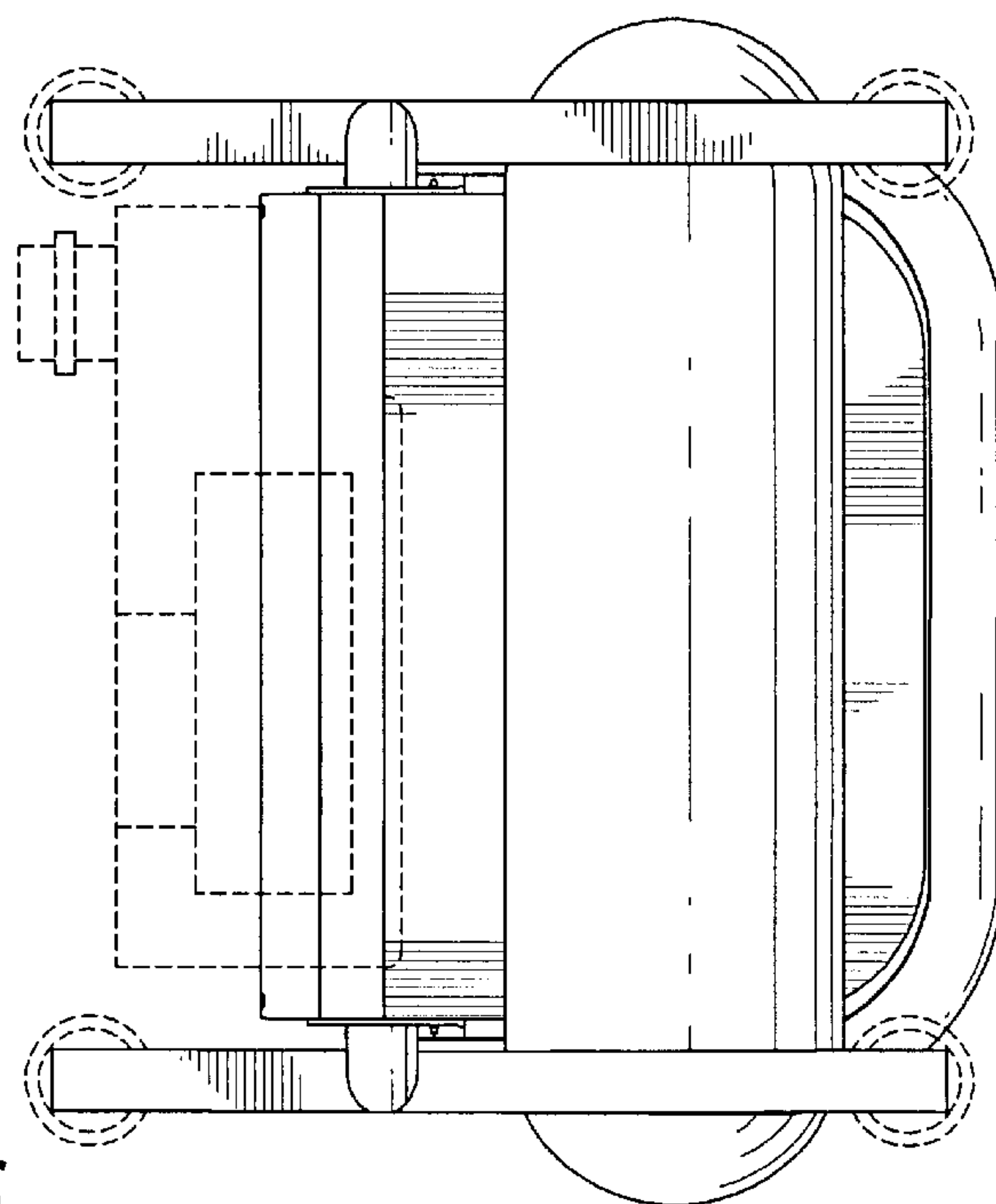
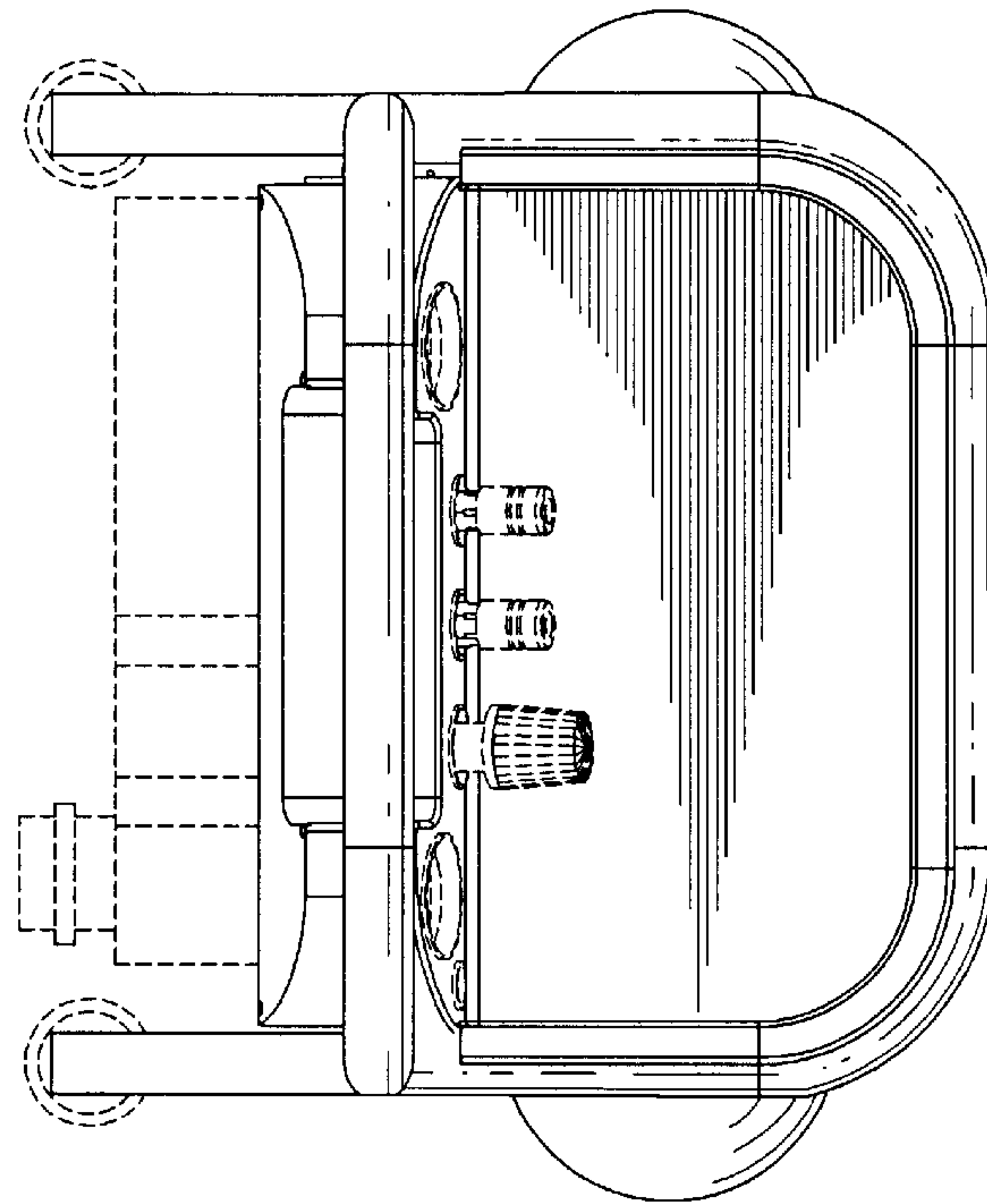


FIG. 6