

US00D531192S

(12) **United States Design Patent** (10) **Patent No.:** **US D531,192 S**
Li (45) **Date of Patent:** **** Oct. 31, 2006**

(54) **PORTABLE AIR COMPRESSOR**
(75) Inventor: **Chen Jun Li**, Zhejiang (CN)
(73) Assignee: **K.K.U. Limited**, Tokyo (JP)
(**) Term: **14 Years**

(21) Appl. No.: **29/242,917**
(22) Filed: **Nov. 16, 2005**
(51) **LOC (8) Cl.** **15-02**
(52) **U.S. Cl.** **D15/9**
(58) **Field of Classification Search** D15/7-9;
D23/232, 231; 417/359, 415-416, 410.1,
417/321, 265, 405
See application file for complete search history.

(56) **References Cited**
U.S. PATENT DOCUMENTS
D450,061 S * 11/2001 Graber et al. D15/9
D500,052 S * 12/2004 Lucchi D15/9
D513,619 S * 1/2006 Hernandez et al. D15/9
D515,591 S * 2/2006 Buck D15/9
D516,092 S * 2/2006 Buck D15/9

* cited by examiner

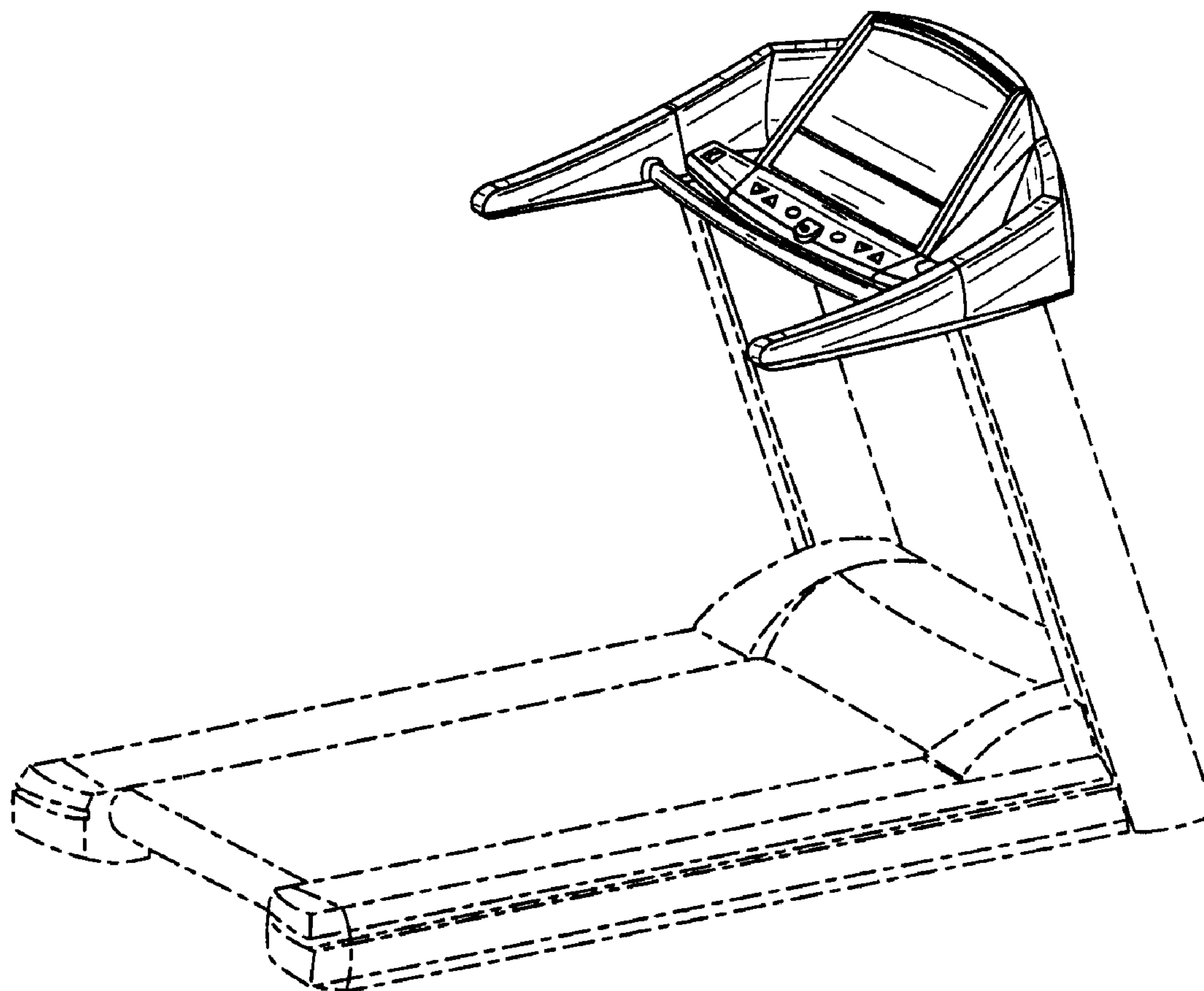
Primary Examiner—R. Seifert
(74) *Attorney, Agent, or Firm*—Greer, Burns & Crain, Ltd.
(57) **CLAIM**

The ornamental design for a portable air compressor, as shown and described.

DESCRIPTION

FIG. 1 is a perspective view of the portable air compressor showing my new design;
FIG. 2 is a front elevational view of the portable air compressor of FIG. 1;
FIG. 3 is a rear elevational view of the portable air compressor of FIG. 1;
FIG. 4 is an elevational view of the right side of the portable air compressor of FIG. 1;
FIG. 5 is an elevational view of the left side of the portable air compressor of FIG. 1.
FIG. 6 is a top plan view of the portable air compressor of FIG. 1.
FIG. 7 is a bottom plan view of the portable air compressor of FIG. 1; and,
FIG. 8 is a perspective view of the portable air compressor of FIG. 1, showing the compressor handle in the raised position.

1 Claim, 8 Drawing Sheets



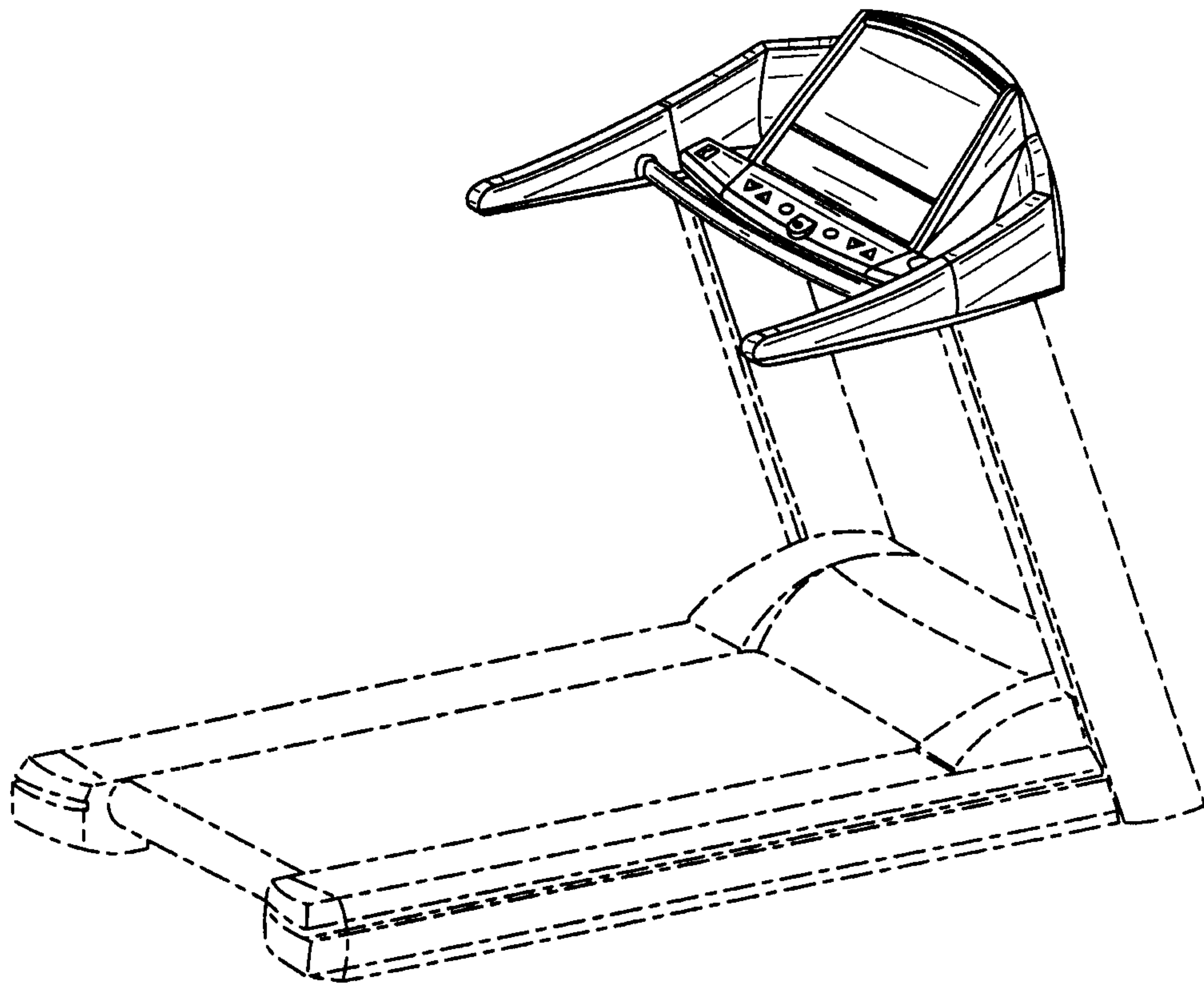


FIG. 1

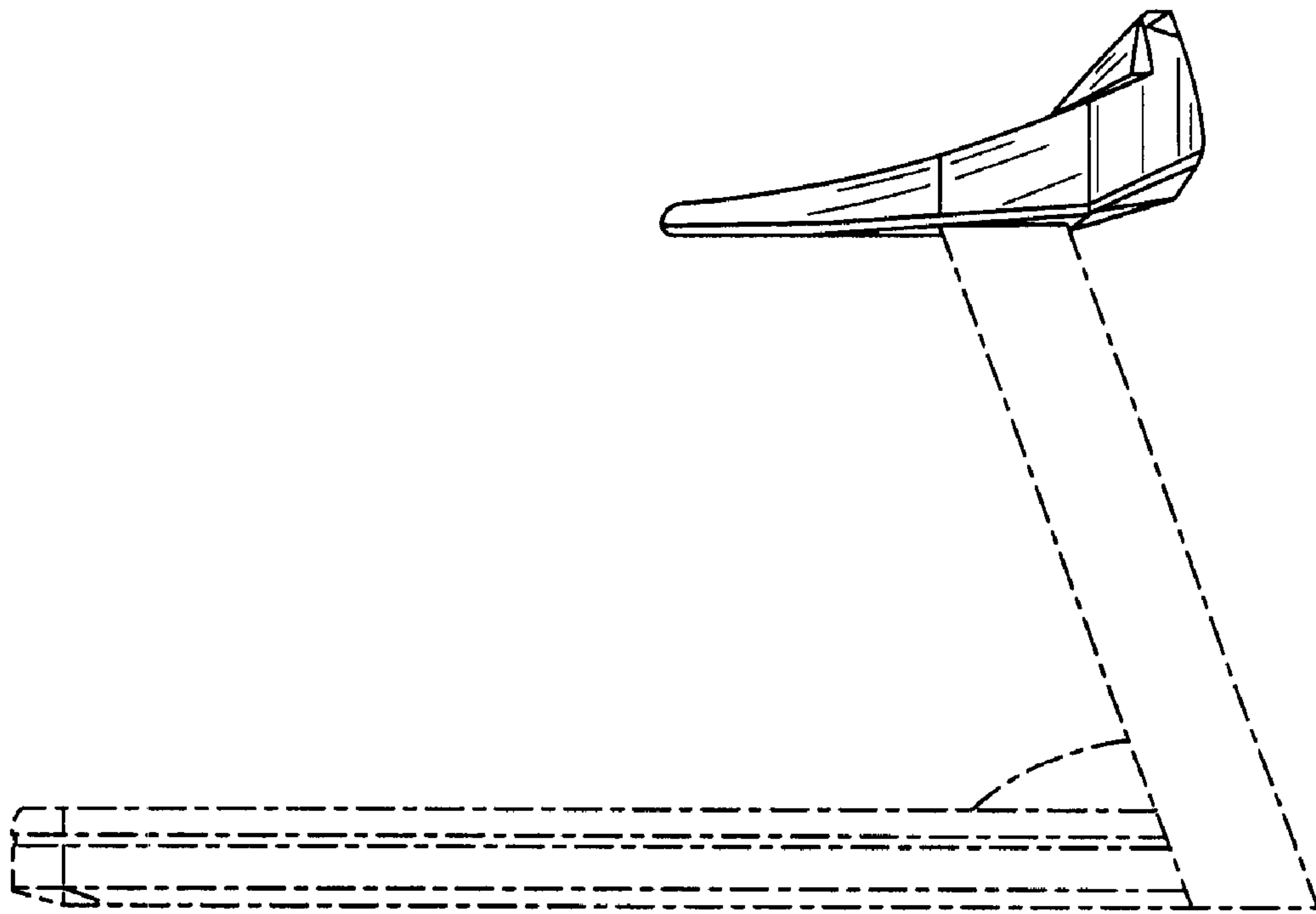


FIG. 2

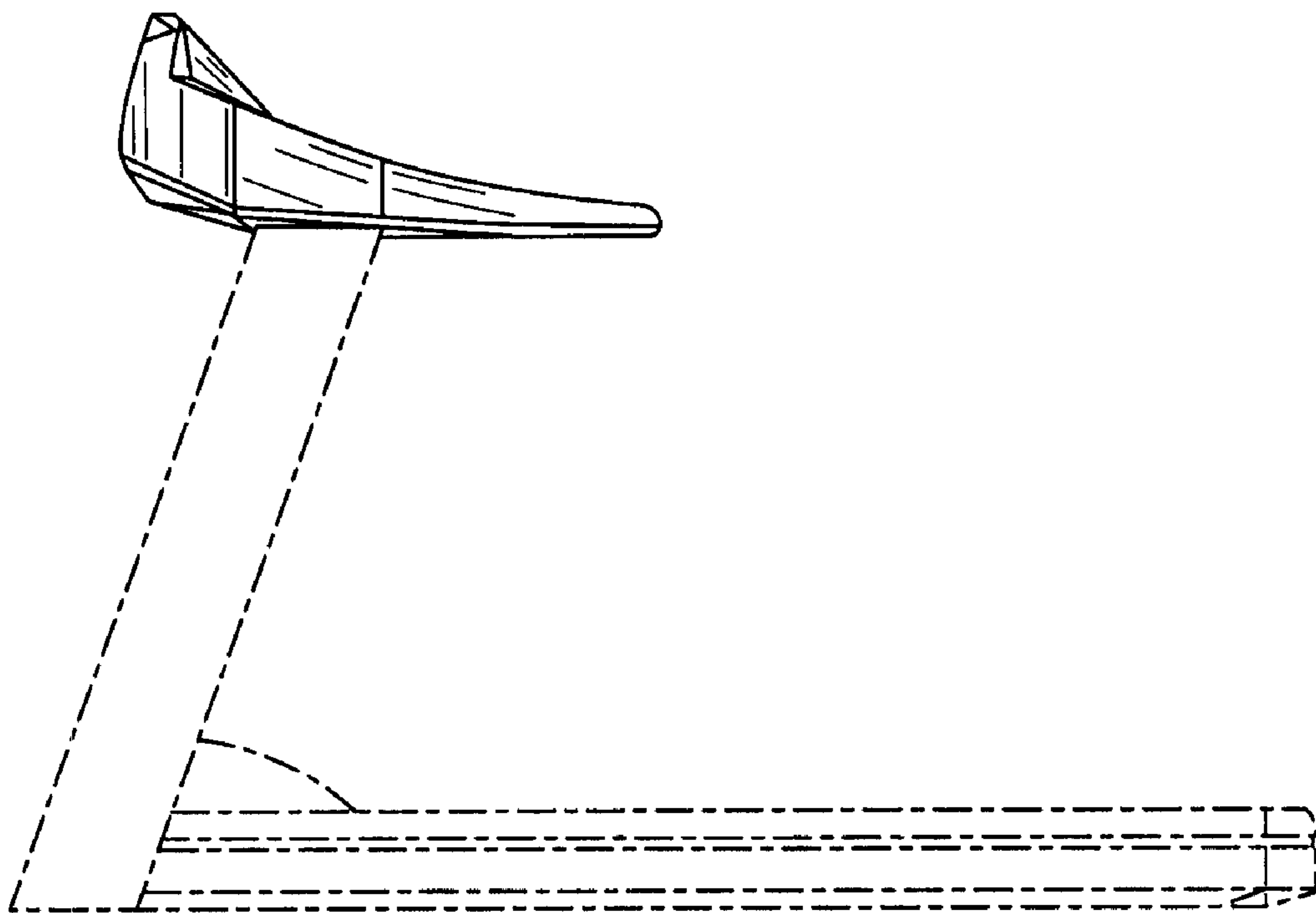


FIG. 3

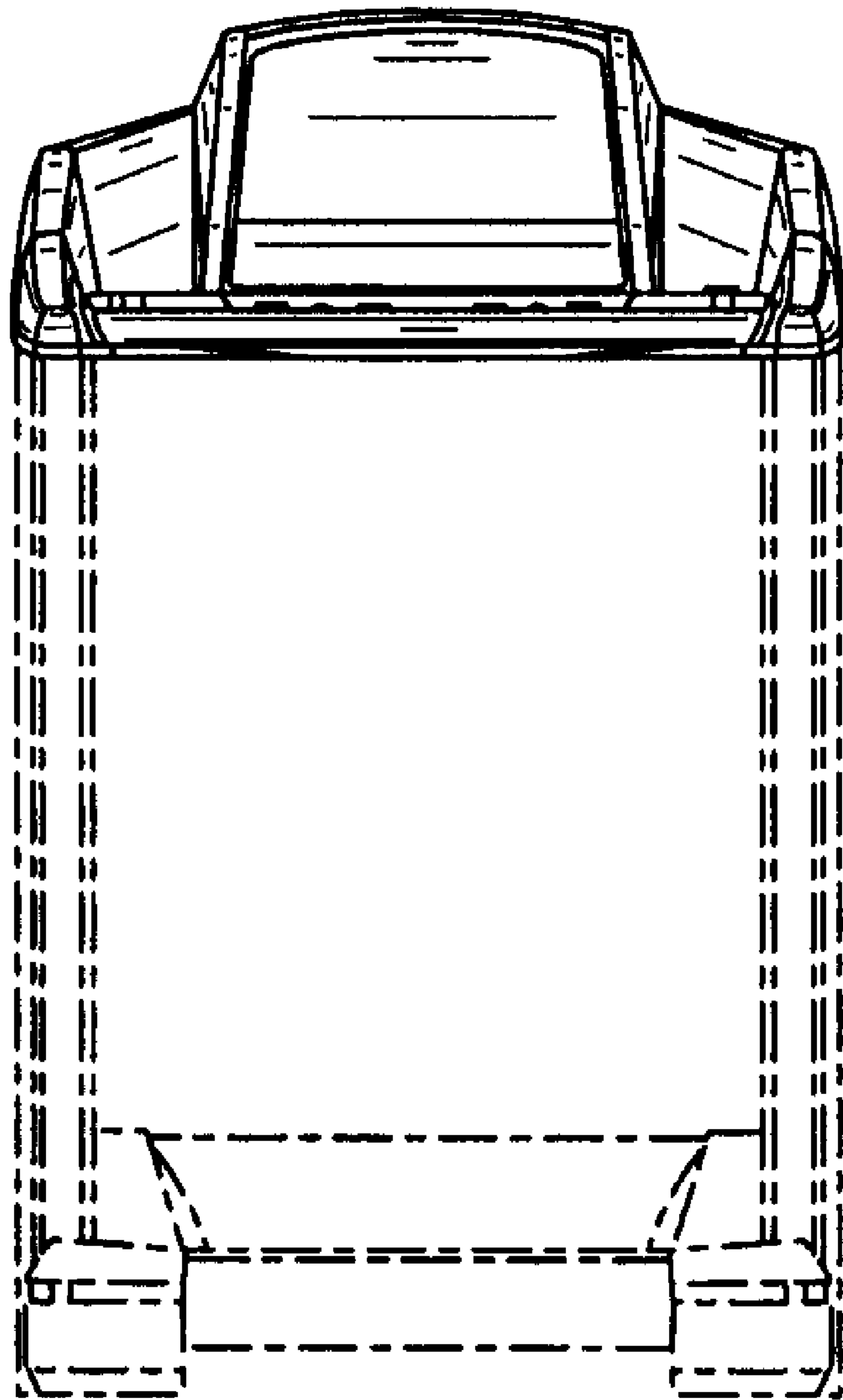


FIG. 4

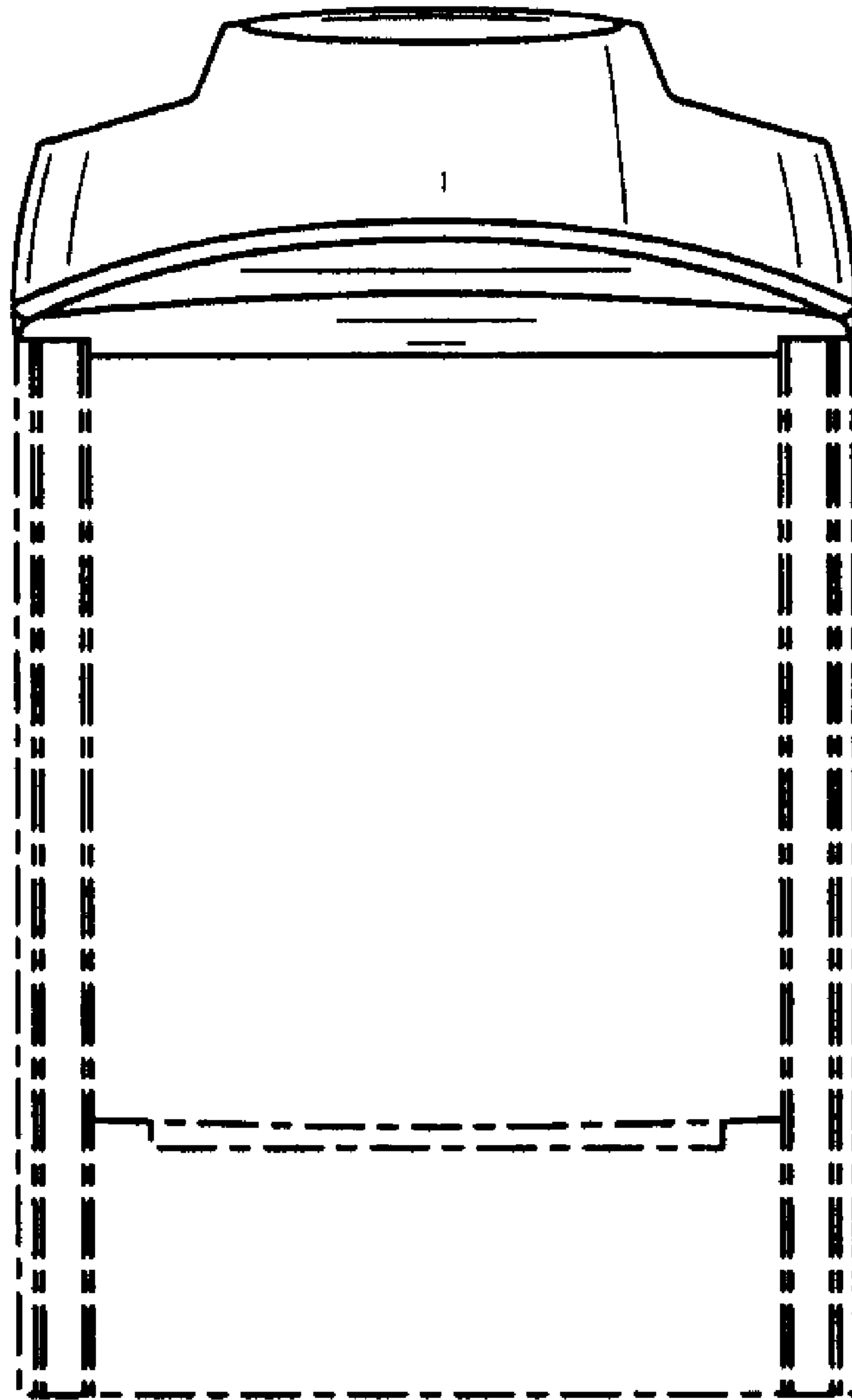


FIG. 5

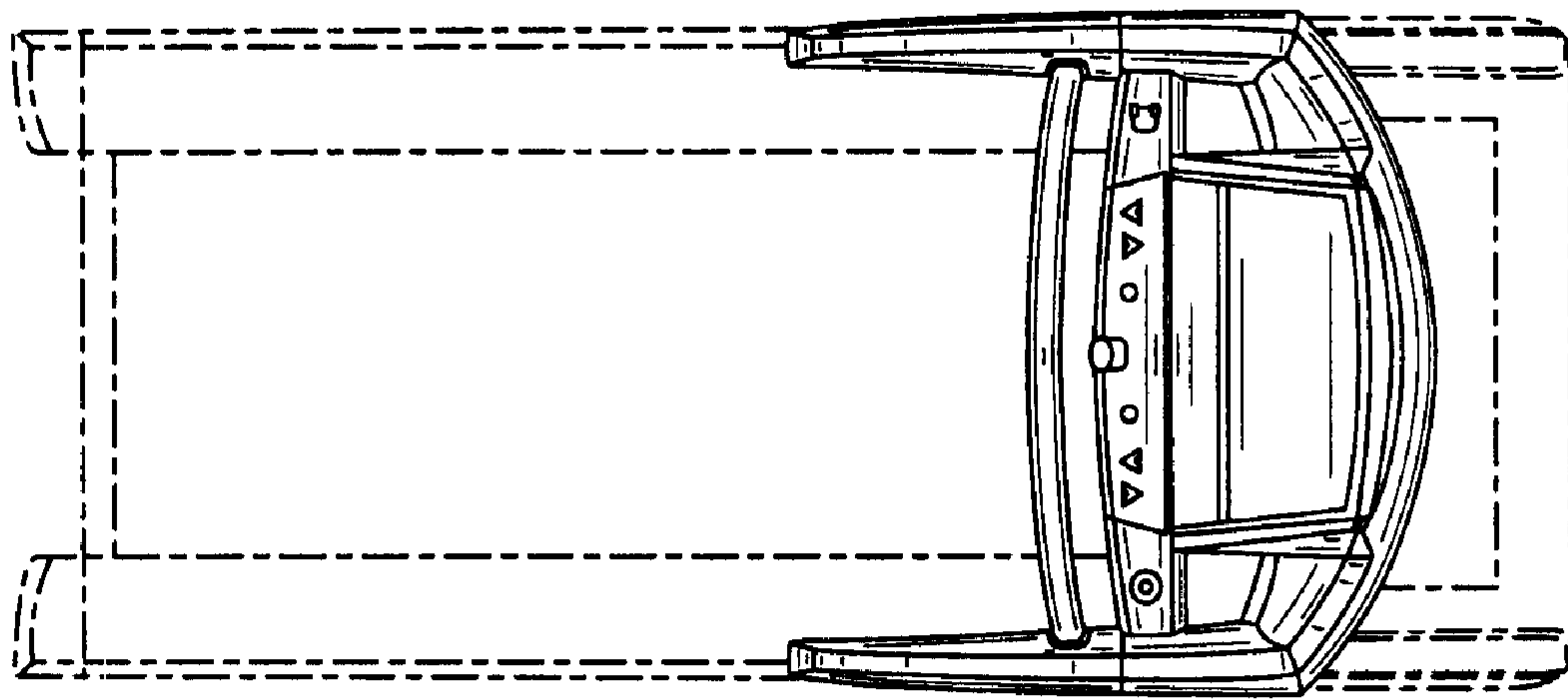


FIG. 6

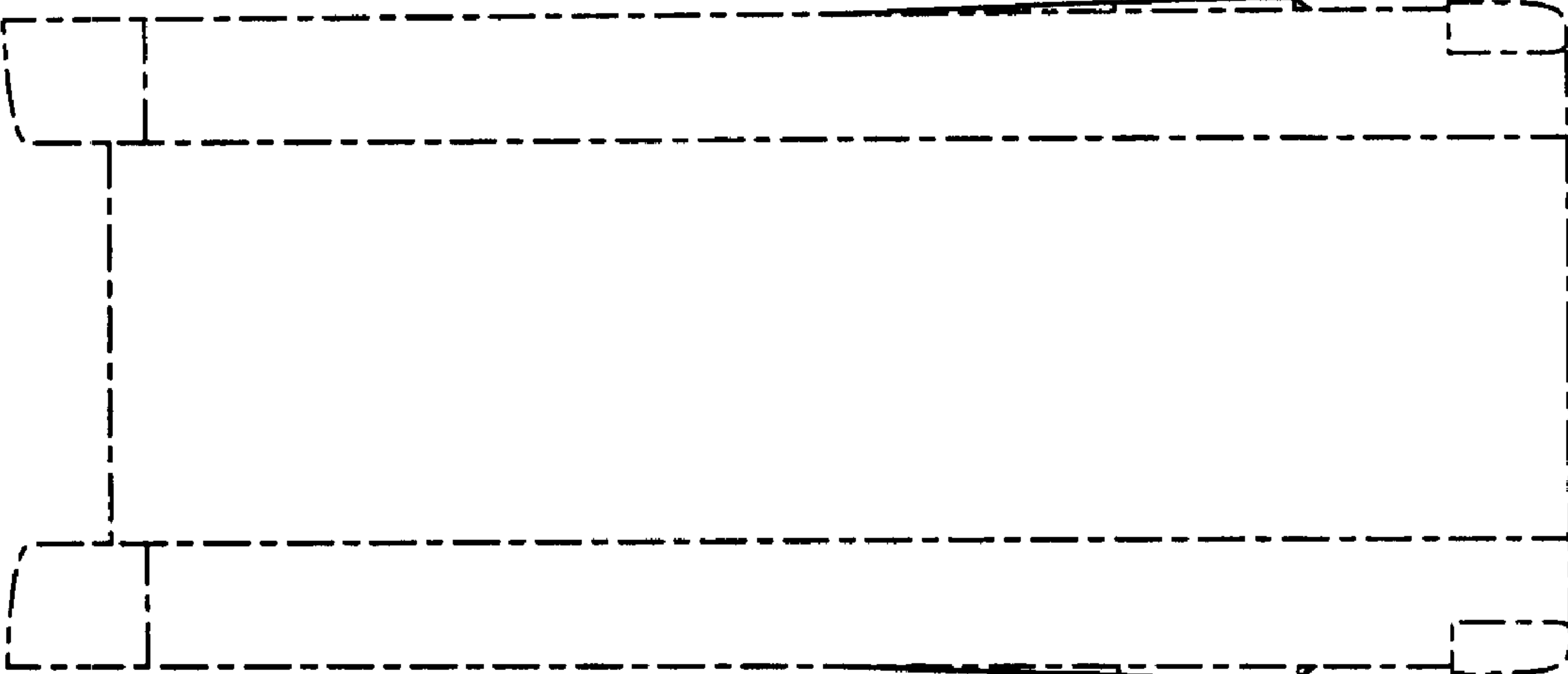


FIG. 7

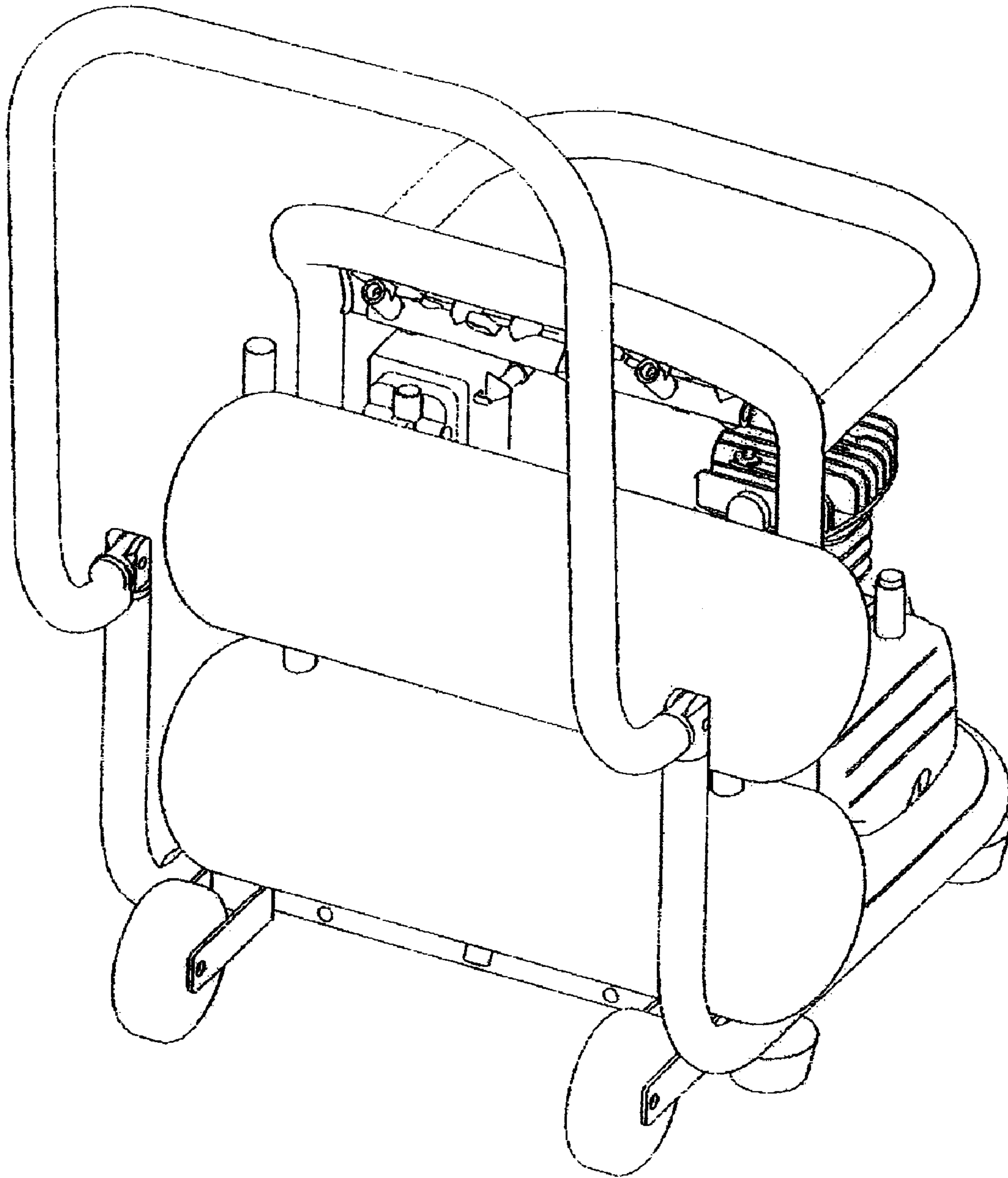


FIG. 8

UNITED STATES PATENT AND TRADEMARK OFFICE
CERTIFICATE OF CORRECTION

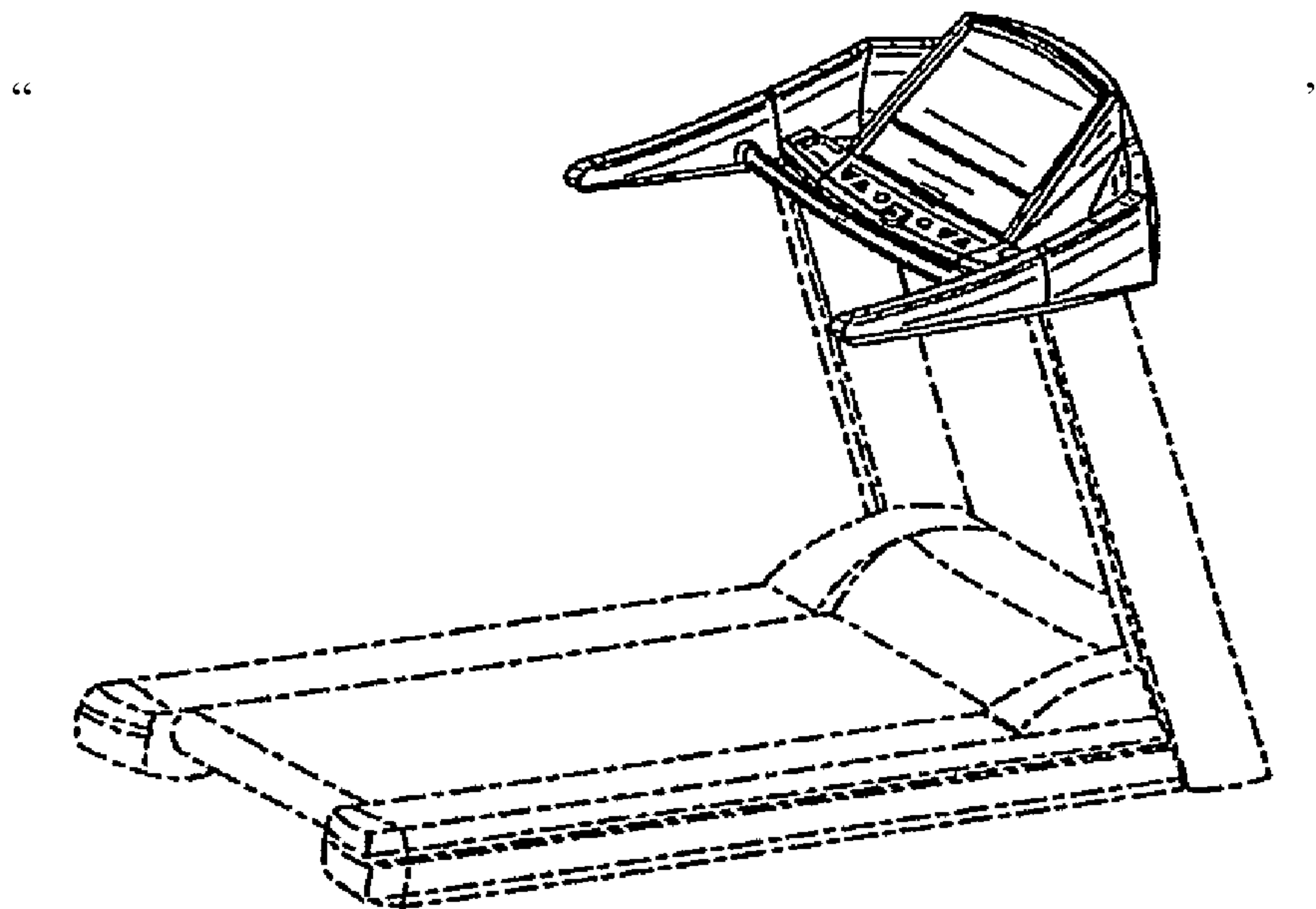
PATENT NO. : Des. 531,192 S
APPLICATION NO. : 29/242917
DATED : October 31, 2006
INVENTOR(S) : Li

Page 1 of 11

It is certified that error appears in the above-identified patent and that said Letters Patent is hereby corrected as shown below:

The title page showing the illustrative figure should be deleted and substitute with the attached title page.

In the drawings, Sheet 1, Fig. 1, delete



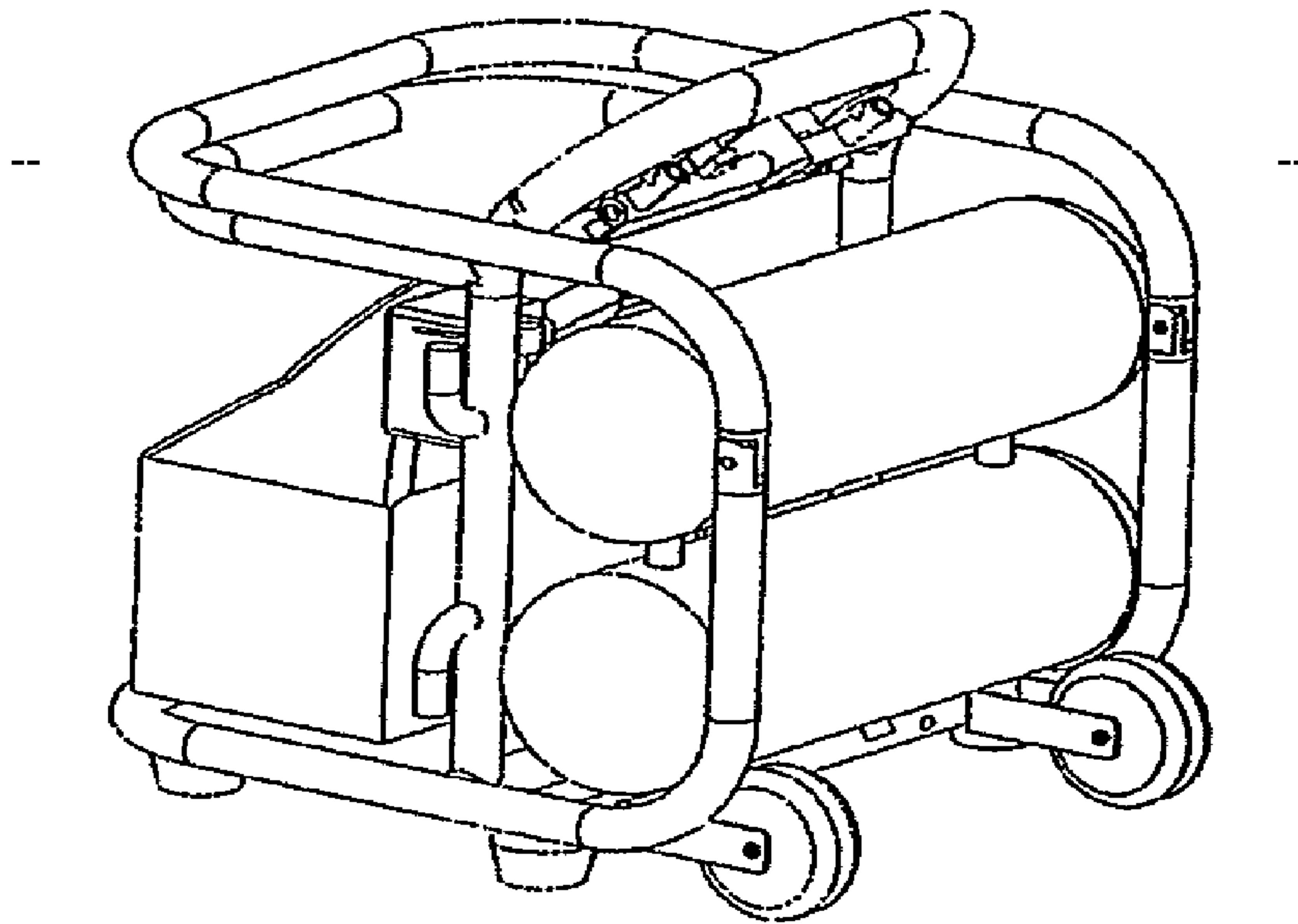
UNITED STATES PATENT AND TRADEMARK OFFICE
CERTIFICATE OF CORRECTION

PATENT NO. : Des. 531,192 S
APPLICATION NO. : 29/242917
DATED : October 31, 2006
INVENTOR(S) : Li

Page 2 of 11

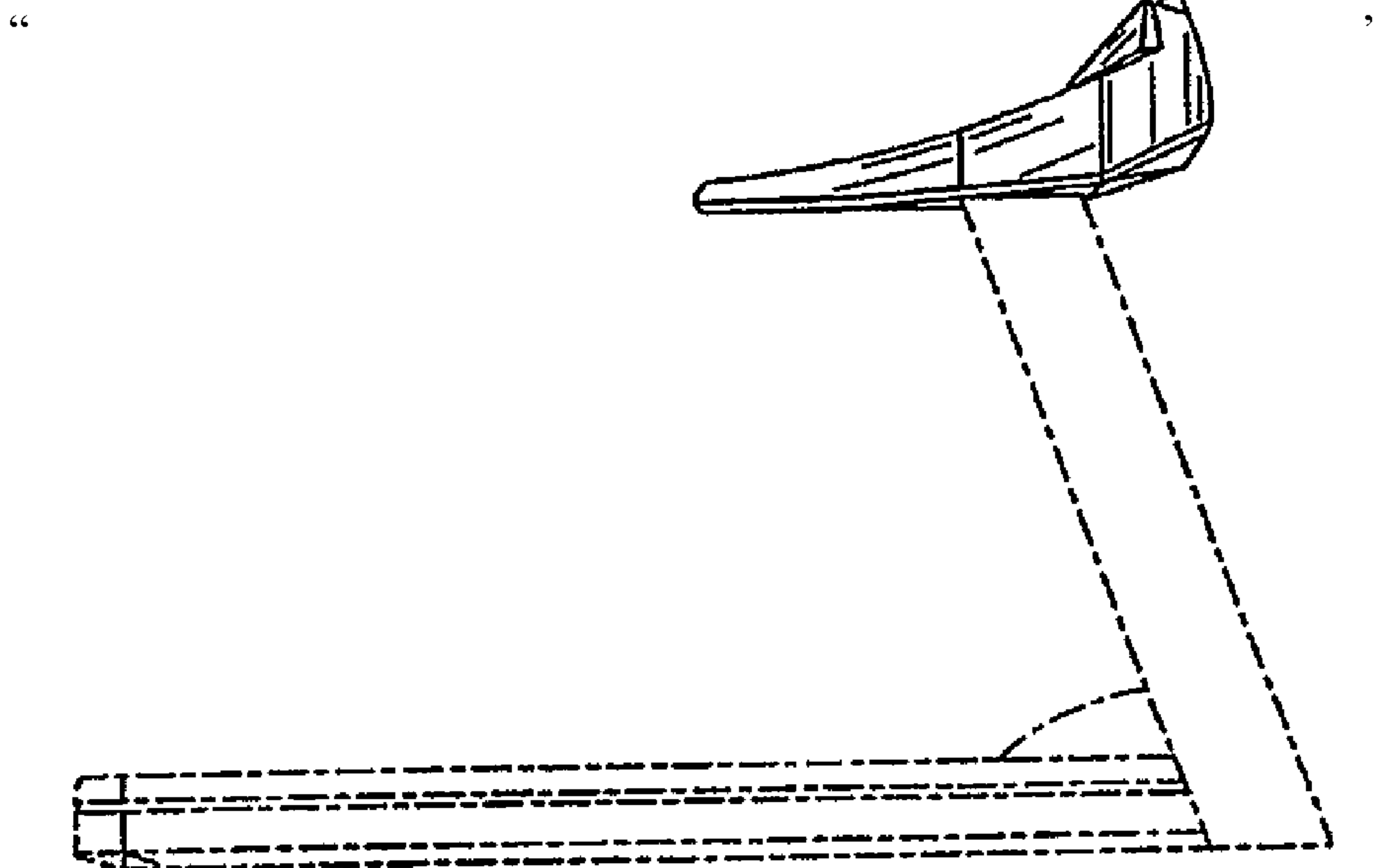
It is certified that error appears in the above-identified patent and that said Letters Patent is hereby corrected as shown below:

and insert



in its place.

In the drawings, Sheet 2, Fig. 2, delete



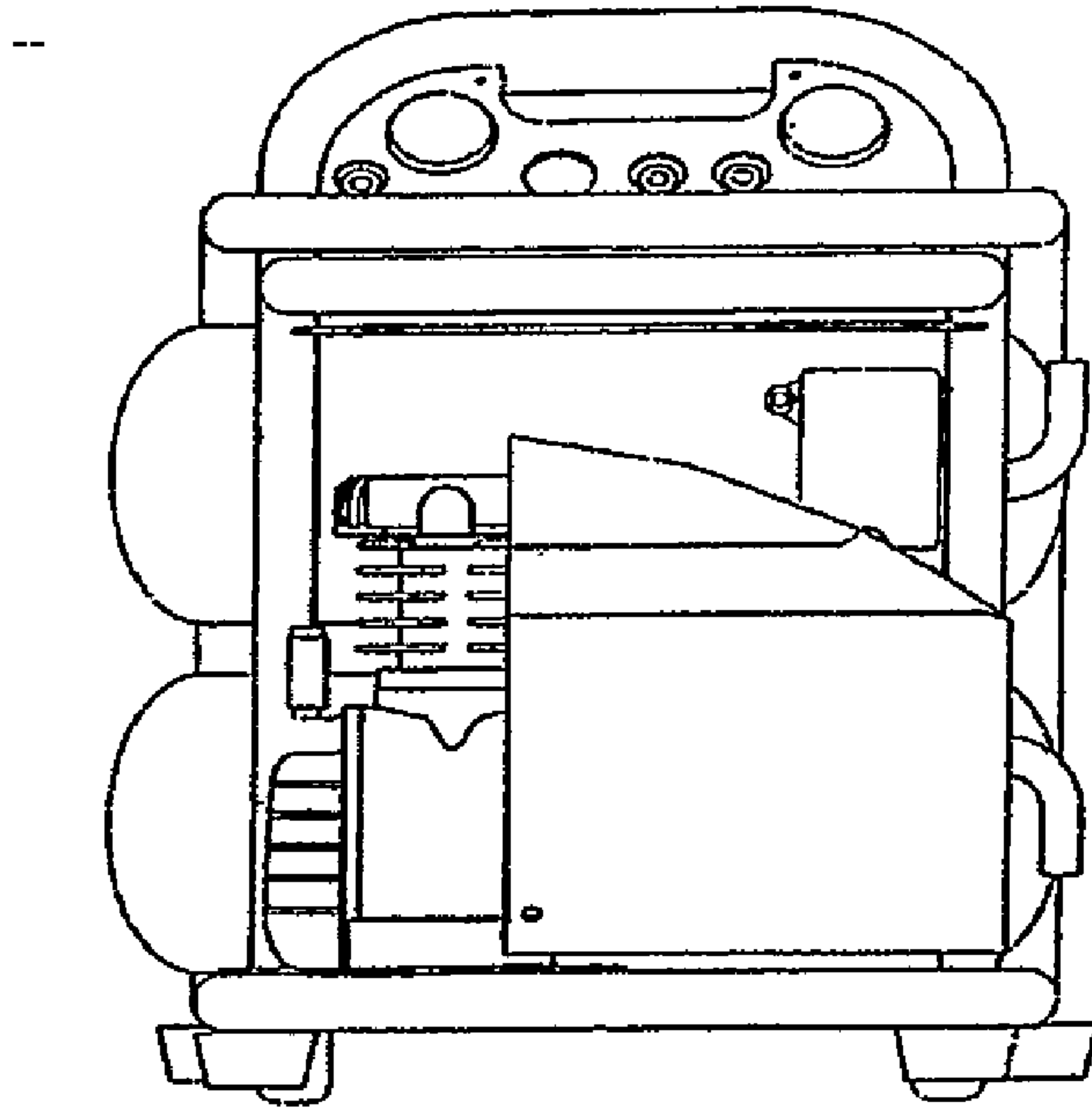
UNITED STATES PATENT AND TRADEMARK OFFICE
CERTIFICATE OF CORRECTION

PATENT NO. : Des. 531,192 S
APPLICATION NO. : 29/242917
DATED : October 31, 2006
INVENTOR(S) : Li

Page 3 of 11

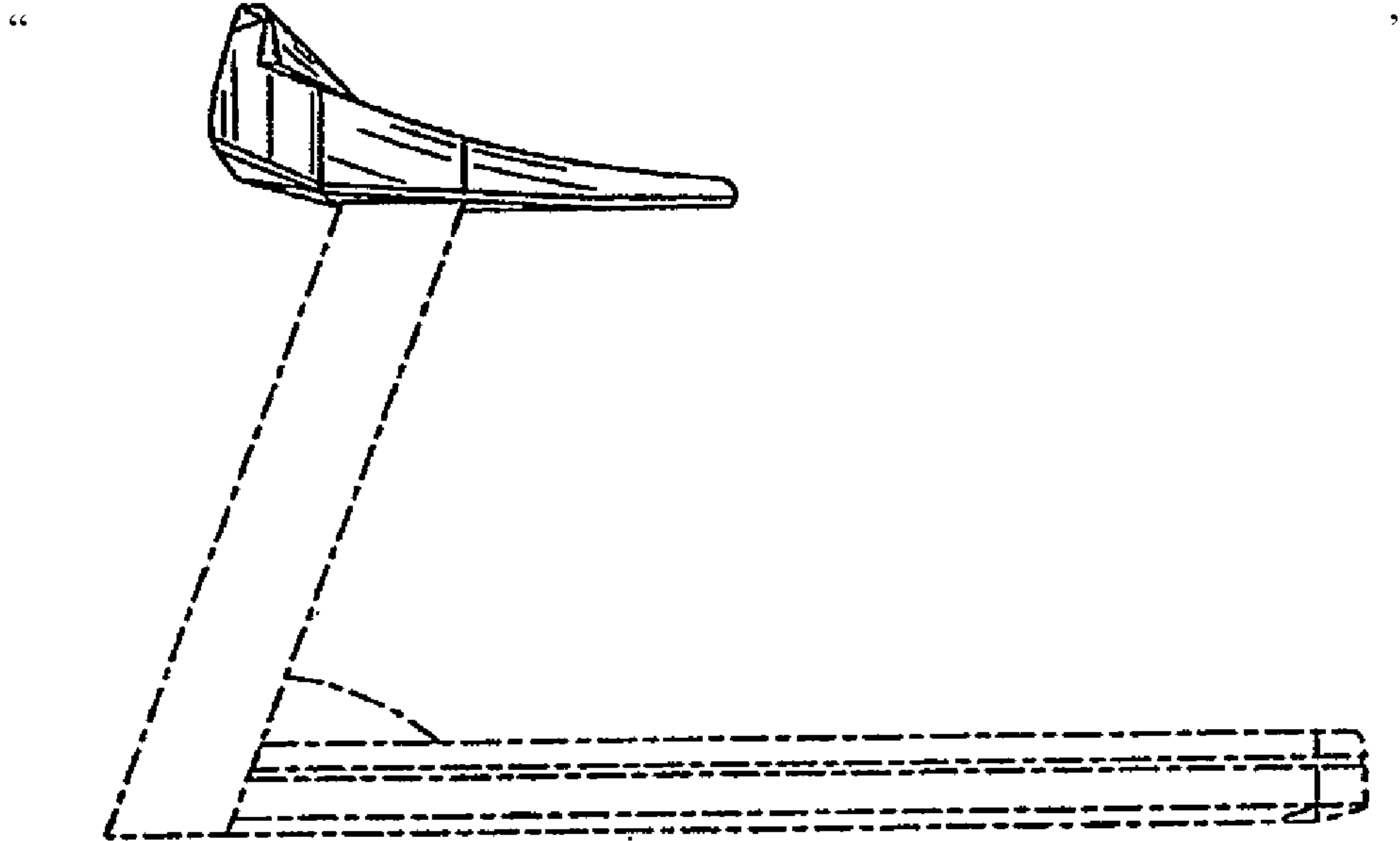
It is certified that error appears in the above-identified patent and that said Letters Patent is hereby corrected as shown below:

and insert



in its place.

In the drawings, Sheet 3, Fig. 3, delete



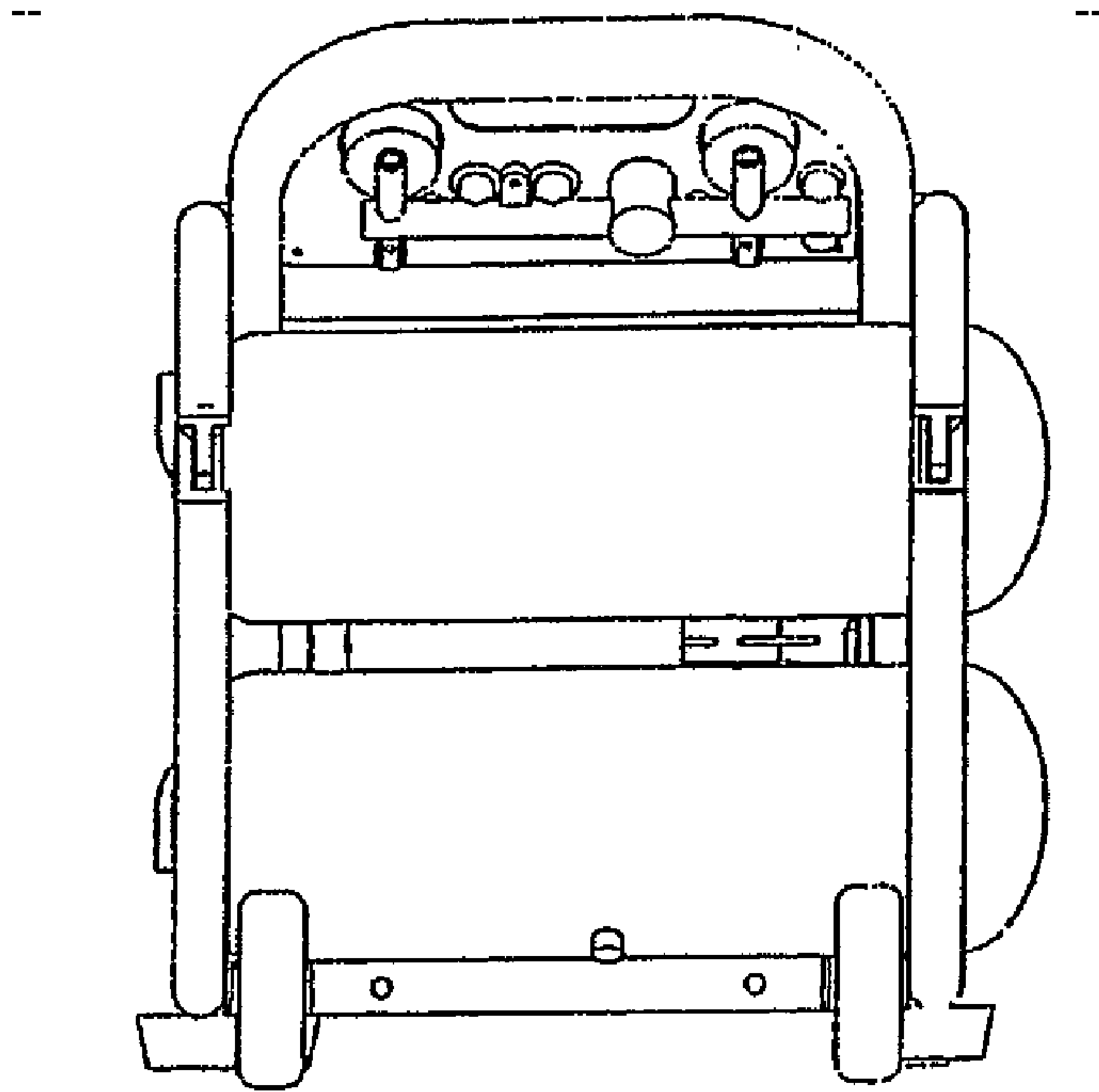
UNITED STATES PATENT AND TRADEMARK OFFICE
CERTIFICATE OF CORRECTION

PATENT NO. : Des. 531,192 S
APPLICATION NO. : 29/242917
DATED : October 31, 2006
INVENTOR(S) : Li

Page 4 of 11

It is certified that error appears in the above-identified patent and that said Letters Patent is hereby corrected as shown below:

and insert



in its place.

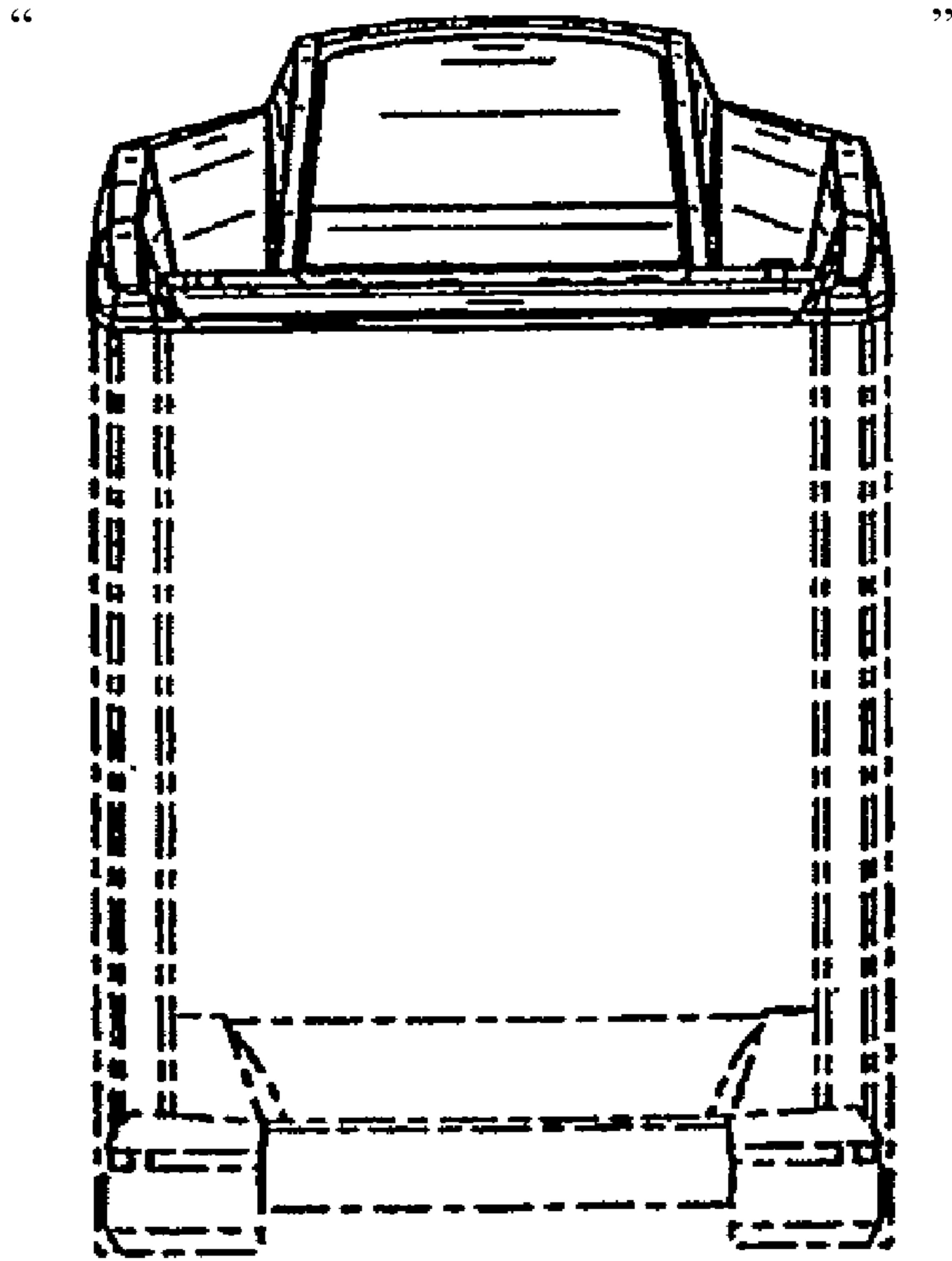
UNITED STATES PATENT AND TRADEMARK OFFICE
CERTIFICATE OF CORRECTION

PATENT NO. : Des. 531,192 S
APPLICATION NO. : 29/242917
DATED : October 31, 2006
INVENTOR(S) : Li

Page 5 of 11

It is certified that error appears in the above-identified patent and that said Letters Patent is hereby corrected as shown below:

In the drawings, Sheet 4, Fig. 4, delete



UNITED STATES PATENT AND TRADEMARK OFFICE
CERTIFICATE OF CORRECTION

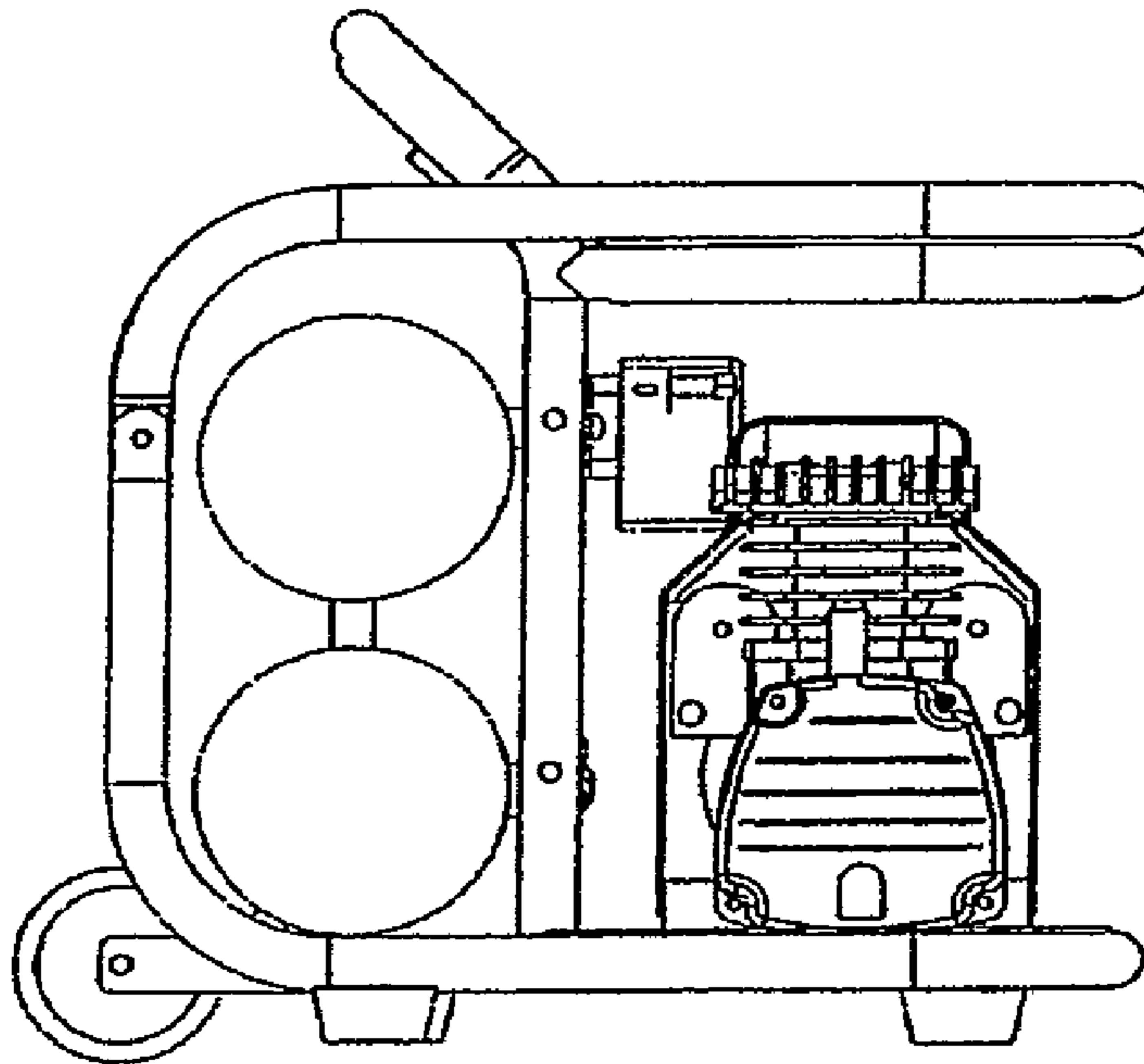
PATENT NO. : Des. 531,192 S
APPLICATION NO. : 29/242917
DATED : October 31, 2006
INVENTOR(S) : Li

Page 6 of 11

It is certified that error appears in the above-identified patent and that said Letters Patent is hereby corrected as shown below:

and insert

--



in its place.

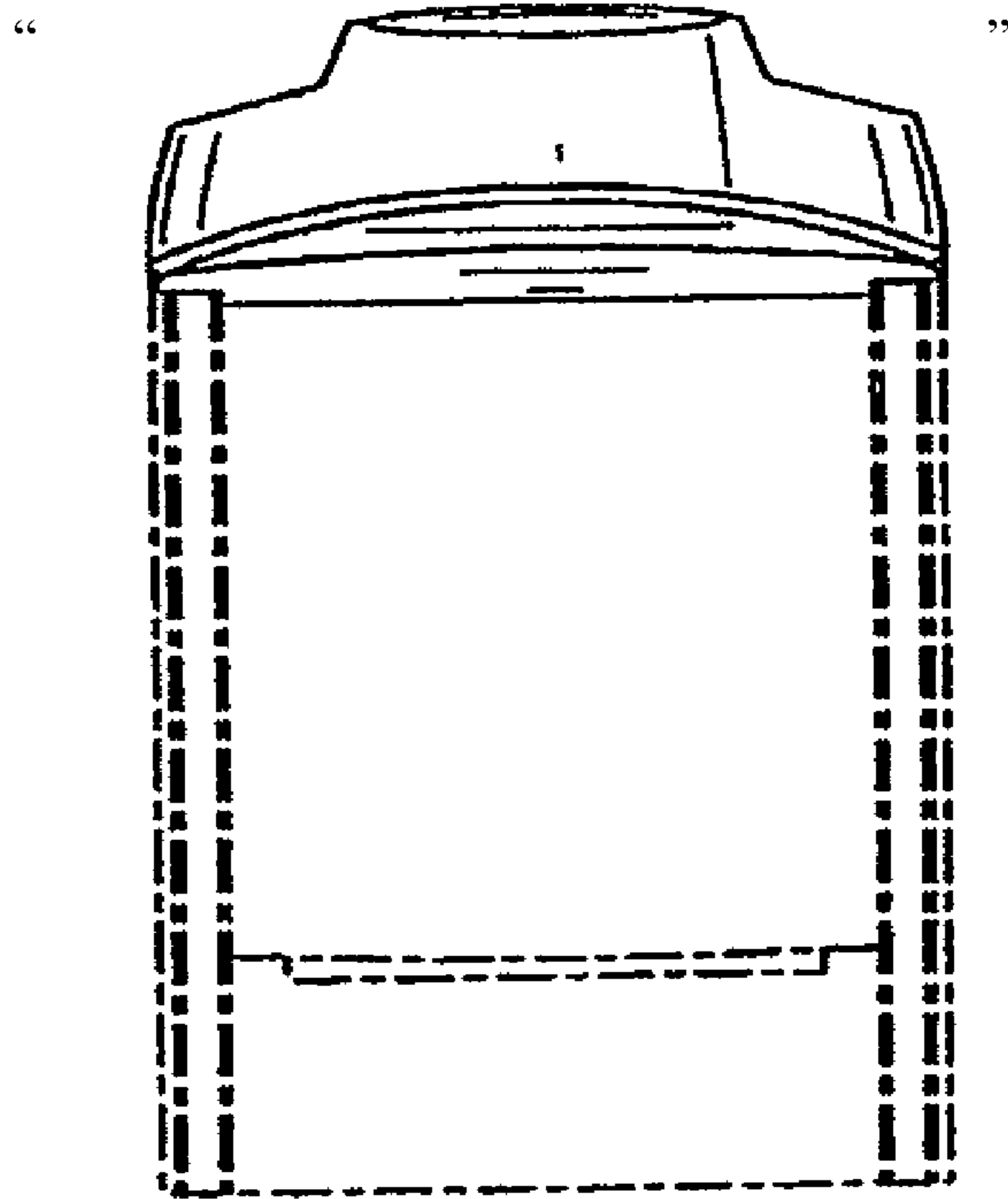
UNITED STATES PATENT AND TRADEMARK OFFICE
CERTIFICATE OF CORRECTION

PATENT NO. : Des. 531,192 S
APPLICATION NO. : 29/242917
DATED : October 31, 2006
INVENTOR(S) : Li

Page 7 of 11

It is certified that error appears in the above-identified patent and that said Letters Patent is hereby corrected as shown below:

In the drawings, Sheet 5, Fig. 5, delete



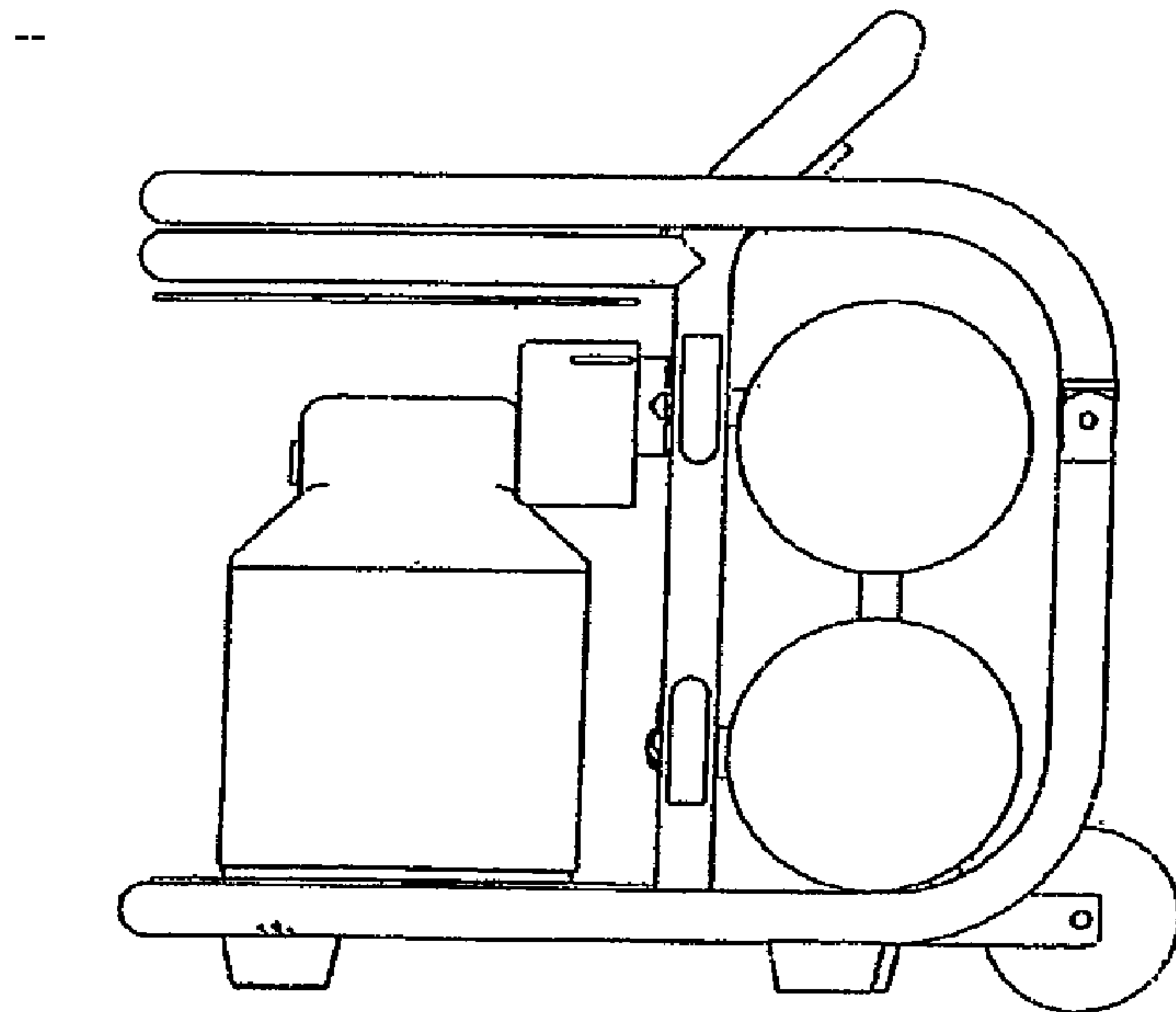
UNITED STATES PATENT AND TRADEMARK OFFICE
CERTIFICATE OF CORRECTION

PATENT NO. : Des. 531,192 S
APPLICATION NO. : 29/242917
DATED : October 31, 2006
INVENTOR(S) : Li

Page 8 of 11

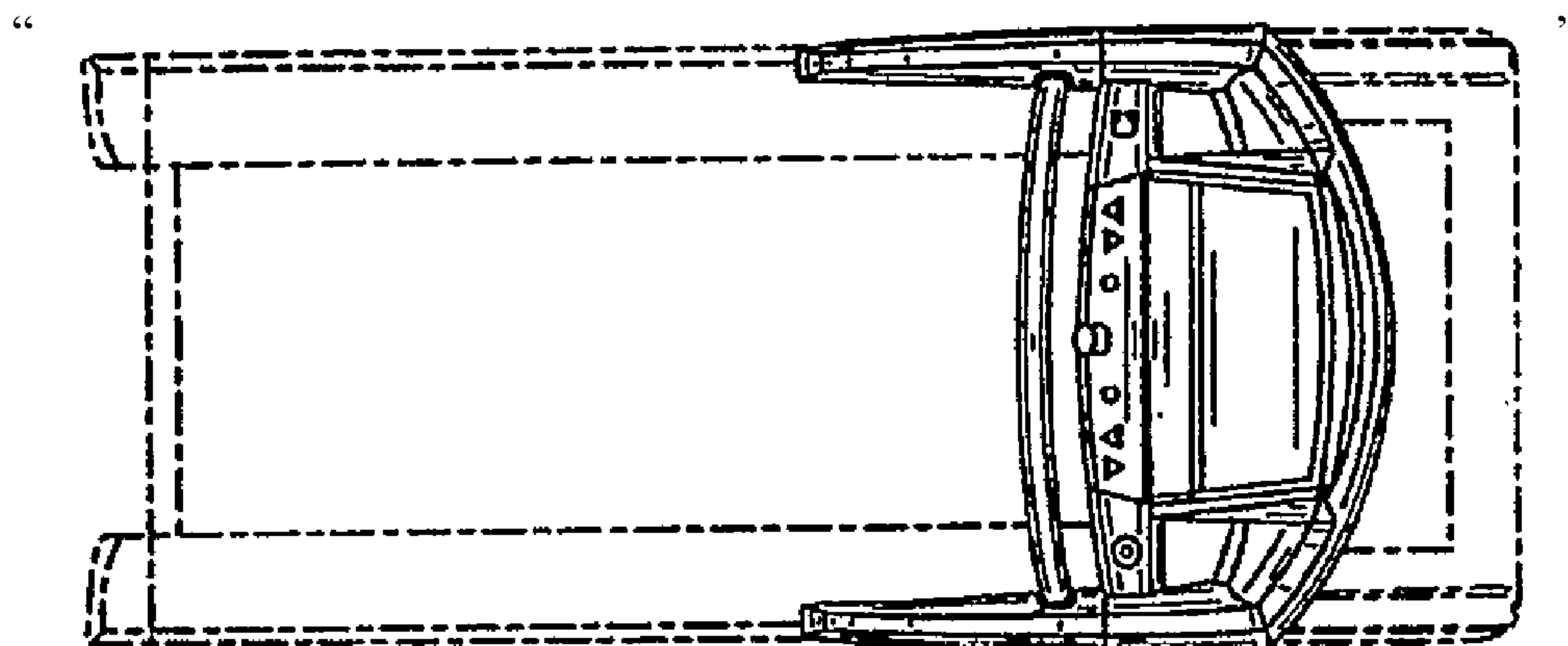
It is certified that error appears in the above-identified patent and that said Letters Patent is hereby corrected as shown below:

and insert



in its place.

In the drawings, Sheet 6, Fig. 6, delete



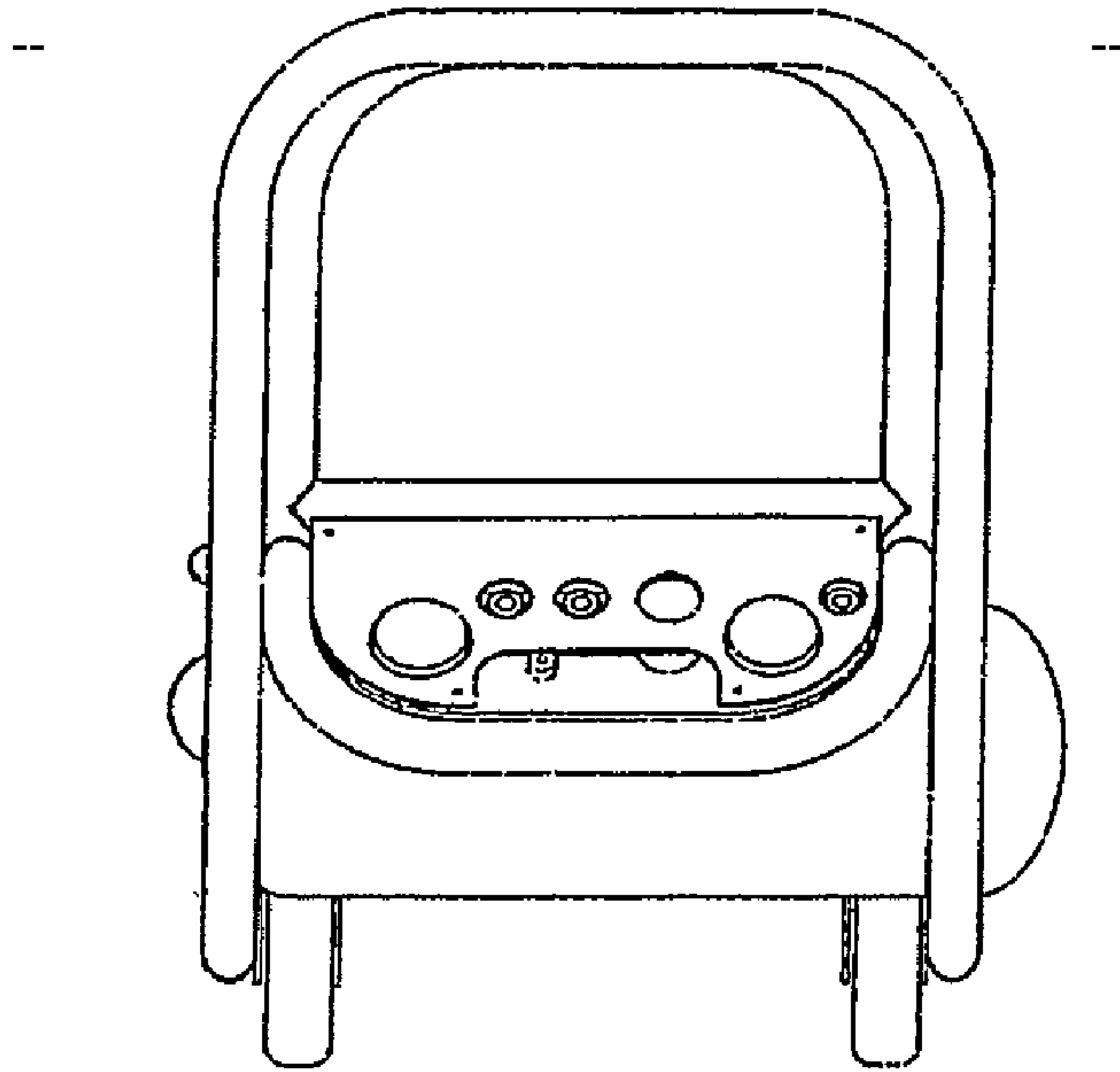
UNITED STATES PATENT AND TRADEMARK OFFICE
CERTIFICATE OF CORRECTION

PATENT NO. : Des. 531,192 S
APPLICATION NO. : 29/242917
DATED : October 31, 2006
INVENTOR(S) : Li

Page 9 of 11

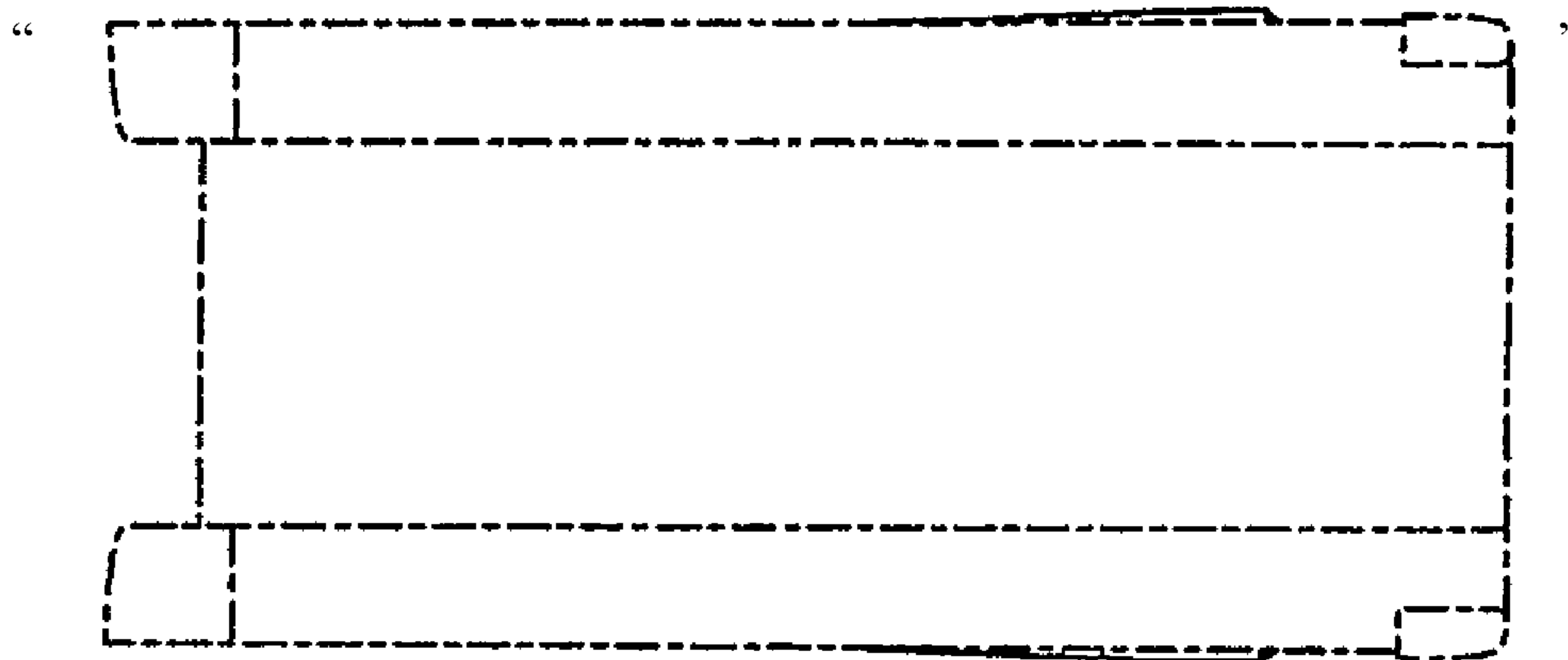
It is certified that error appears in the above-identified patent and that said Letters Patent is hereby corrected as shown below:

and insert



in its place.

In the drawings, Sheet 7, Fig. 7, delete



UNITED STATES PATENT AND TRADEMARK OFFICE
CERTIFICATE OF CORRECTION

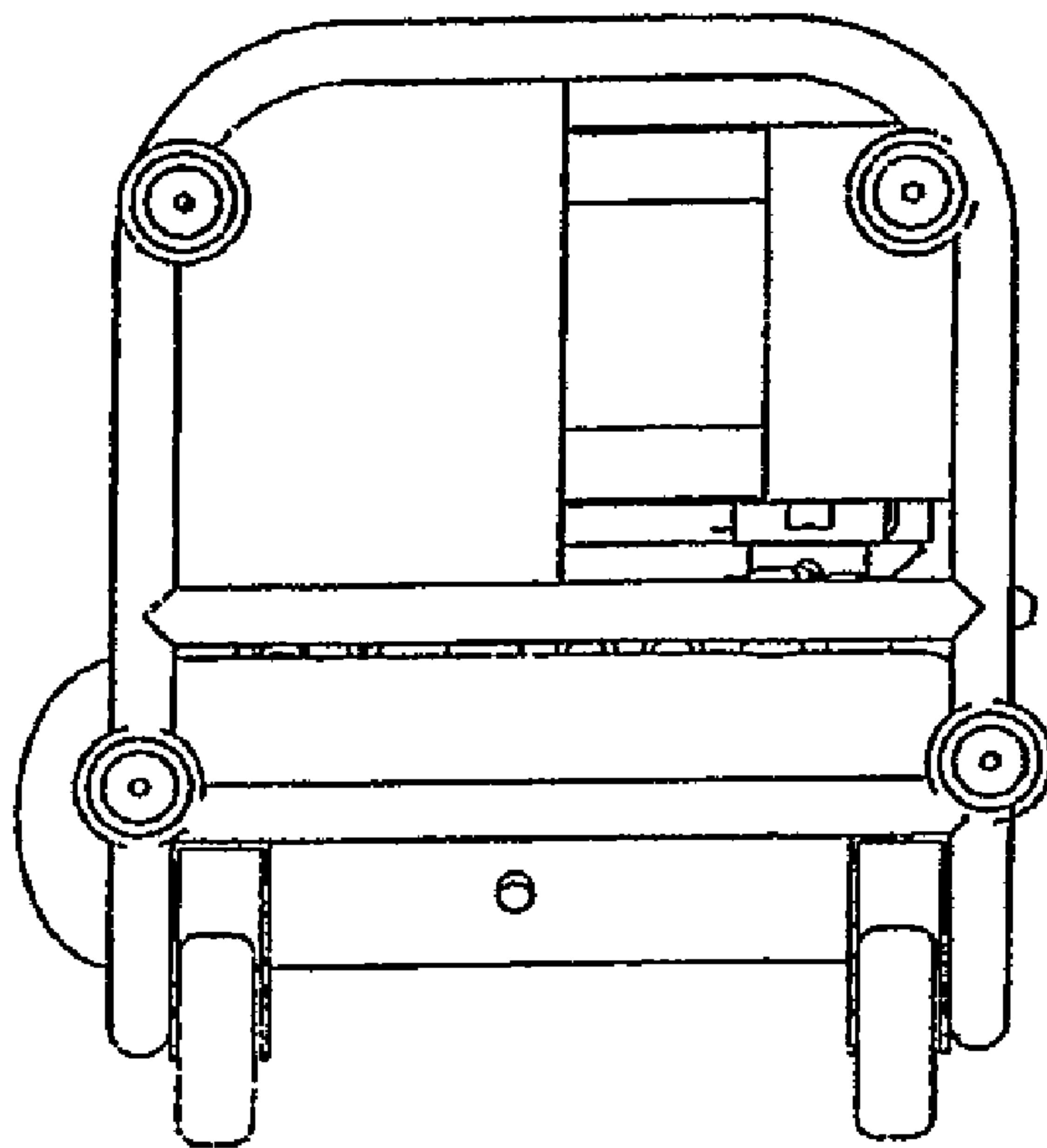
PATENT NO. : Des. 531,192 S
APPLICATION NO. : 29/242917
DATED : October 31, 2006
INVENTOR(S) : Li

Page 10 of 11

It is certified that error appears in the above-identified patent and that said Letters Patent is hereby corrected as shown below:

and insert

--



in its place.

Signed and Sealed this

Twenty-seventh Day of March, 2007

JON W. DUDAS

Director of the United States Patent and Trademark Office

(12) **United States Design Patent** (10) Patent No.: **US D531,192 S**
LI (45) Date of Patent: **** Oct. 31, 2006**

(54) **PORTABLE AIR COMPRESSOR**

(75) Inventor: **Chen Jun Li, Zhejiang (CN)**

(73) Assignee: **K.K.U. Limited, Tokyo (JP)**

(**) Term: **14 Years**

(21) Appl. No.: **29/242,917**

(22) Filed: **Nov. 16, 2005**

(51) LOC (8) Cl. **15-02**

(52) U.S. Cl. **D15/9**

(58) Field of Classification Search **D15/7-9;**
D23/232, 231; 417/359, 415-416, 410.1,
417/321, 265, 405

See application file for complete search history.

(56) **References Cited**

U.S. PATENT DOCUMENTS

D450,061 S	*	11/2004	Graber et al.	D15/9
D500,052 S	*	12/2004	Lucchi	D15/9
D513,619 S	*	1/2006	Hernandez et al.	D15/9
D513,591 S	*	2/2006	Buck	D15/9
D516,092 S	*	2/2006	Buck	D15/9

* cited by examiner

Primary Examiner—**R. Seifert**

(74) Attorney, Agent, or Firm—**Greer, Burns & Crain, Ltd.**

(57) **CLAIM**

The ornamental design for a portable air compressor, as shown and described.

DESCRIPTION

FIG. 1 is a perspective view of the portable air compressor showing my new design;

FIG. 2 is a front elevational view of the portable air compressor of FIG. 1;

FIG. 3 is a rear elevational view of the portable air compressor of FIG. 1;

FIG. 4 is an elevational view of the right side of the portable air compressor of FIG. 1;

FIG. 5 is an elevational view of the left side of the portable air compressor of FIG. 1.

FIG. 6 is a top plan view of the portable air compressor of FIG. 1.

FIG. 7 is a bottom plan view of the portable air compressor of FIG. 1; and,

FIG. 8 is a perspective view of the portable air compressor of FIG. 1, showing the compressor handle in the raised position.

1 Claim, 8 Drawing Sheets

