



US00D531190S

(12) **United States Design Patent**
Lee et al.

(10) **Patent No.:** **US D531,190 S**
(45) **Date of Patent:** **** Oct. 31, 2006**

(54) **USB DRIVE HAVING MP3 FUNCTION**

(75) Inventors: **Jae Hoon Lee**, Guri-si (KR); **Sung Yong Park**, Chungju-si (KR)

(73) Assignee: **LG Electronics Inc.**, Seoul (KR)

(**) Term: **14 Years**

(21) Appl. No.: **29/237,835**

(22) Filed: **Sep. 8, 2005**

(30) **Foreign Application Priority Data**

Jul. 28, 2005 (KR) 30-2005-0025427

(51) **LOC (8) Cl.** **14-03**

(52) **U.S. Cl.** **D14/496**

(58) **Field of Classification Search** D14/496,
D14/483, 156-158, 135, 136, 160-165, 432,
D14/192, 348, 370, 217, 474, 356-359; 370/342-345;
455/344-351; 273/148 B; 463/1, 43-47;
710/1, 20, 22, 52; 711/110-103; 365/185.33,
365/63; 369/6-12

See application file for complete search history.

(56) **References Cited**

U.S. PATENT DOCUMENTS

5,452,180 A * 9/1995 Register et al. 361/686
5,563,400 A * 10/1996 Le Roux 235/486
6,791,907 B1 * 9/2004 Berhan 369/7
D500,302 S * 12/2004 Deguchi D14/167

D501,485 S * 2/2005 Lian et al. D14/496
6,920,344 B1 * 7/2005 Jang 455/575.5
D508,495 S * 8/2005 Bone et al. D14/496
D511,519 S * 11/2005 Bone et al. D14/432
D513,011 S * 12/2005 Johnson D14/496
2004/0233646 A1 * 11/2004 Yen 361/752
2005/0109841 A1 * 5/2005 Ryan et al. 235/380
2006/0094301 A1 * 5/2006 Lee et al. 439/660

* cited by examiner

Primary Examiner—Prabhakar Deshmukh

(74) *Attorney, Agent, or Firm*—Birch, Stewart, Kolasch & Birch, LLP

(57) **CLAIM**

The ornamental design for a USB drive having MP3 function, as shown and described.

DESCRIPTION

FIG. 1 is a front, right perspective view of the USB drive having MP3 function showing our new design;
FIG. 2 is a front view thereof;
FIG. 3 is a rear view thereof;
FIG. 4 is a left side view thereof;
FIG. 5 is a right side view thereof;
FIG. 6 is a top view thereof;
FIG. 7 is a bottom view thereof; and,
FIG. 8 is a top reference view of the USB drive having MP3 function shown without its top cover.

1 Claim, 4 Drawing Sheets

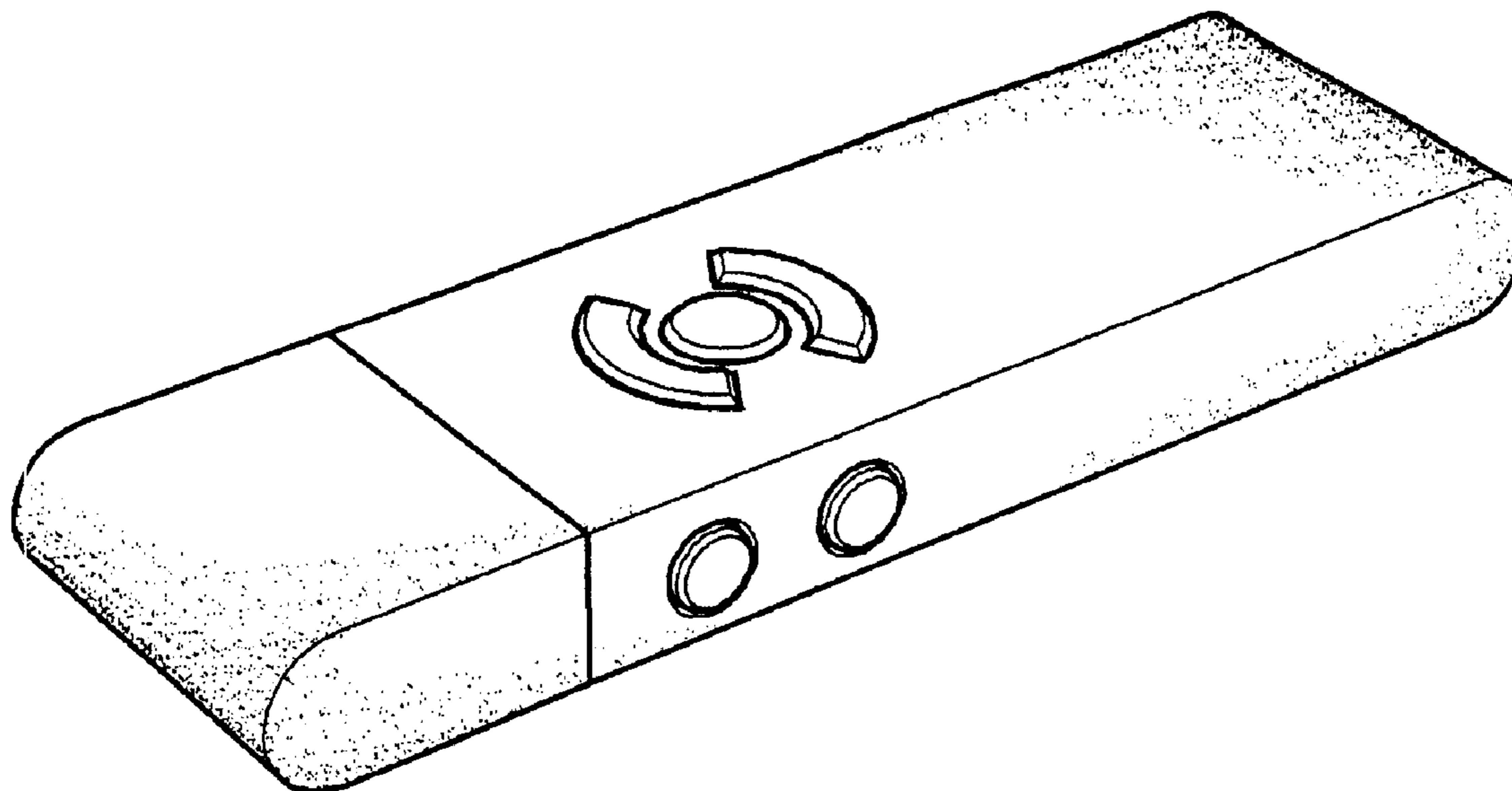


Fig. 1

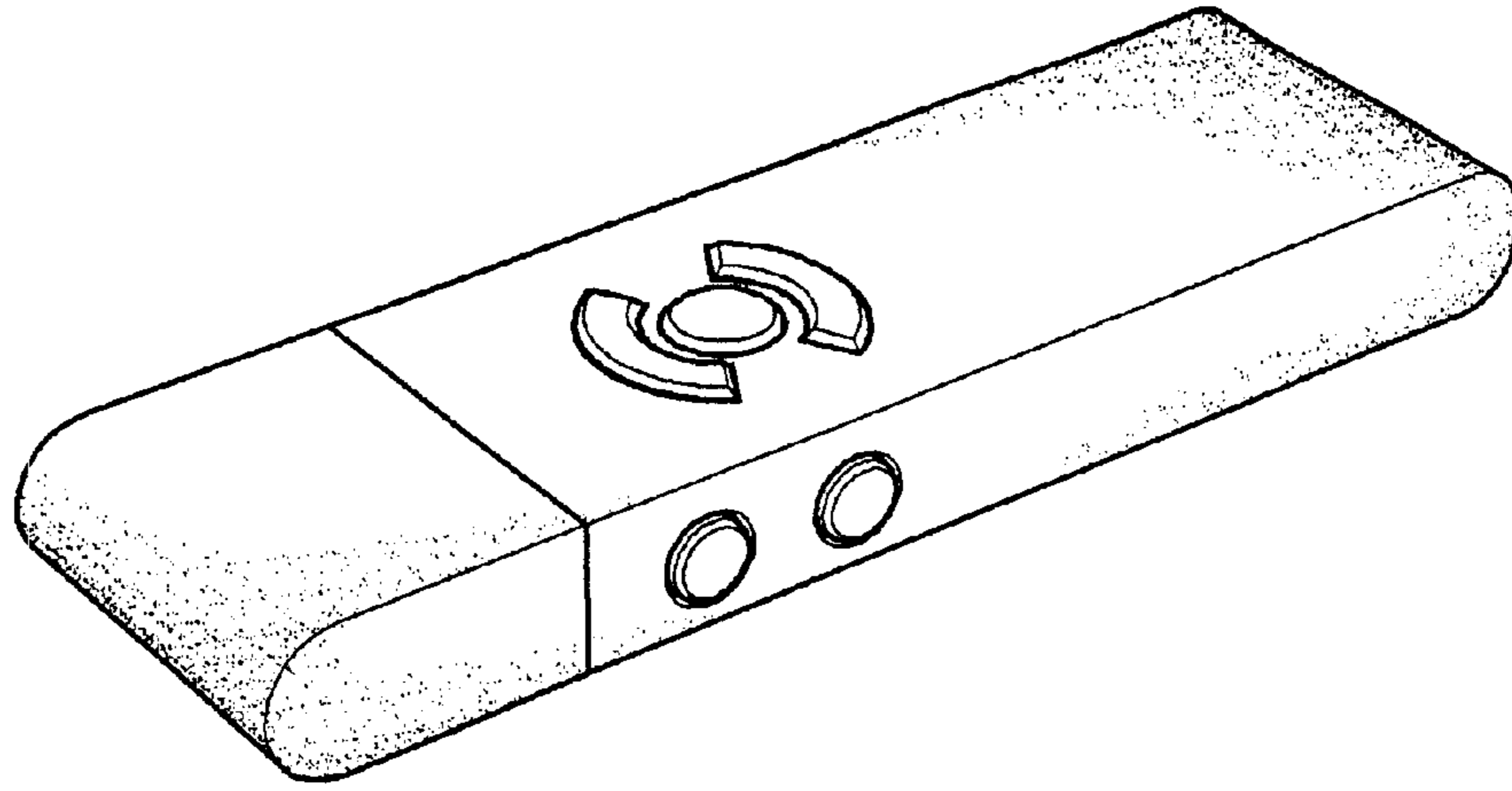


Fig. 2

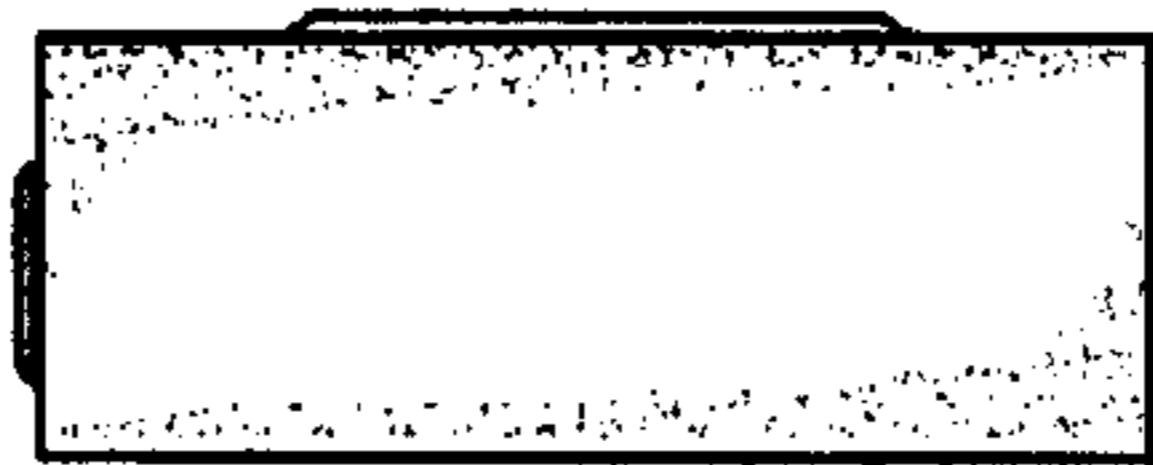


Fig. 3

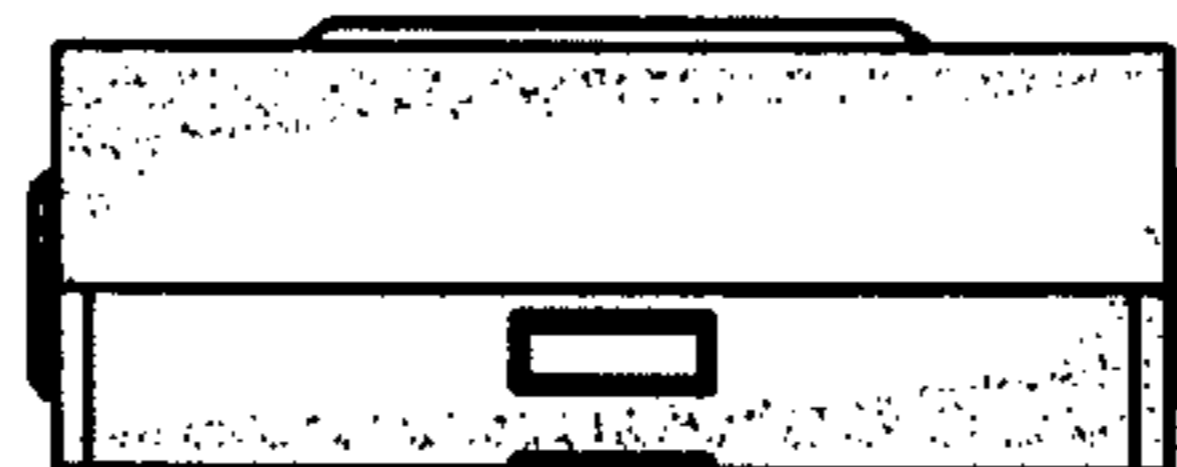


Fig. 4



Fig. 5



Fig. 6

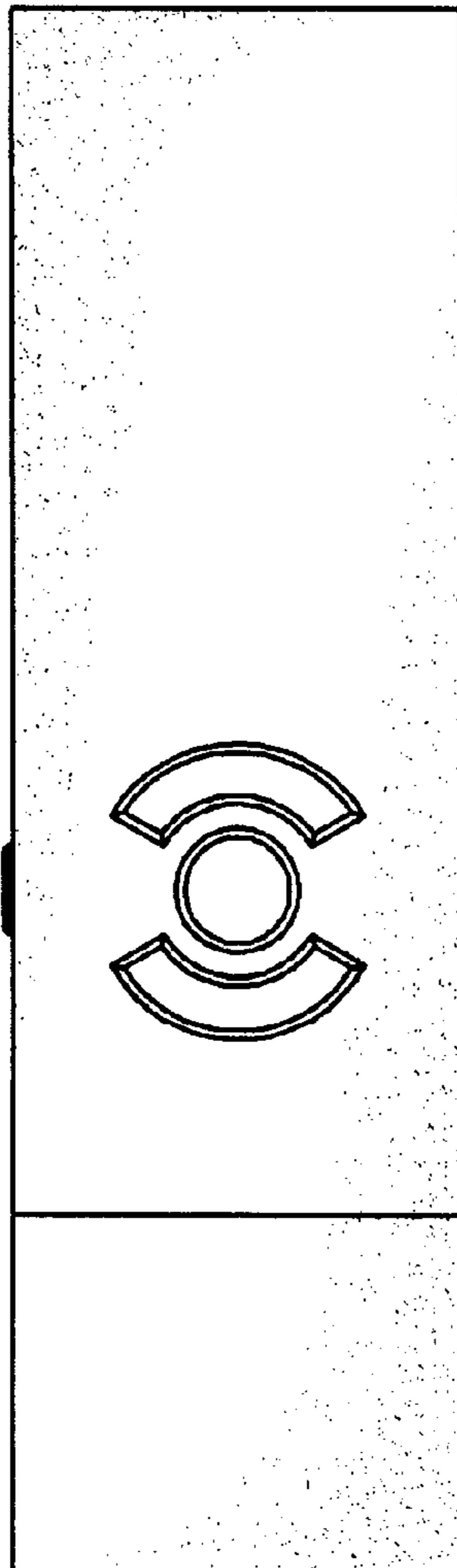


Fig. 7

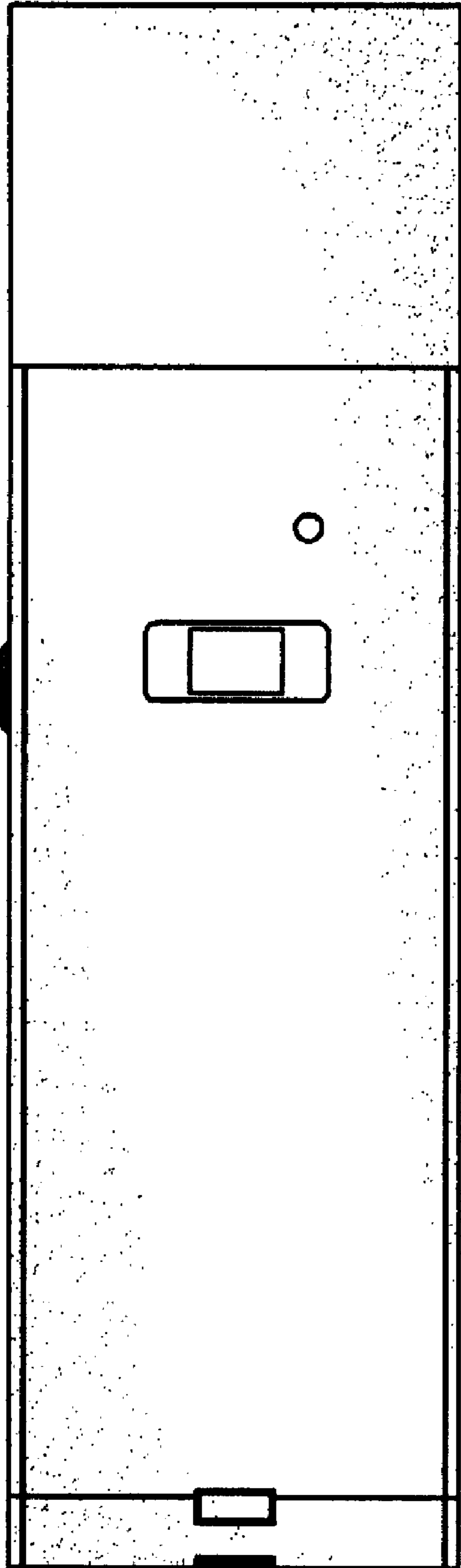


Fig. 8

