

US00D531189S

(12) **United States Design Patent**  
**Depay et al.**

(10) **Patent No.: US D531,189 S**  
(45) **Date of Patent: \*\* Oct. 31, 2006**

- (54) **TELEVISION MEDIA HUB**
- (75) Inventors: **Dean Depay**, San Jose, CA (US);  
**Guillermo Andres**, Pleasanton, CA (US)
- (73) Assignee: **Hewlett-Packard Development Company, L.P.**, Houston, TX (US)
- (\*\*) Term: **14 Years**
- (21) Appl. No.: **29/226,225**
- (22) Filed: **Mar. 24, 2005**
- (51) **LOC (8) Cl.** ..... **14-03**
- (52) **U.S. Cl.** ..... **D14/496; D14/188; D14/474**
- (58) **Field of Classification Search** ..... D14/188,  
D14/496, 137, 138, 155, 144, 265, 191-194,  
D14/474; 455/344-351; 369/1, 6-12; 370/464,  
370/480, 493, 901, 916  
See application file for complete search history.

- 6,695,249 B1 \* 2/2004 Scholtysik et al. .... 242/613.4
- D502,696 S \* 3/2005 Ishibashi ..... D14/198
- 6,877,043 B1 \* 4/2005 Mallory et al. .... 709/251
- D506,457 S \* 6/2005 Hisatsune ..... D14/168
- 6,975,655 B1 \* 12/2005 Fischer et al. .... 370/516
- D516,055 S \* 2/2006 Chen et al. .... D14/188

\* cited by examiner

*Primary Examiner*—Prabhakar Deshmukh

(57) **CLAIM**

We claim the ornamental design for a television media hub, as shown and described.

**DESCRIPTION**

FIG. 1 is a top, front and side perspective view of a television media hub showing our new design; FIG. 2 is a front elevational view thereof; FIG. 3 is a left side elevational view thereof, the right side elevational view being a mirror image thereof; FIG. 4 is a rear elevational view thereof; FIG. 5 is a top plan view thereof; and, FIG. 6 is a bottom plan view thereof.

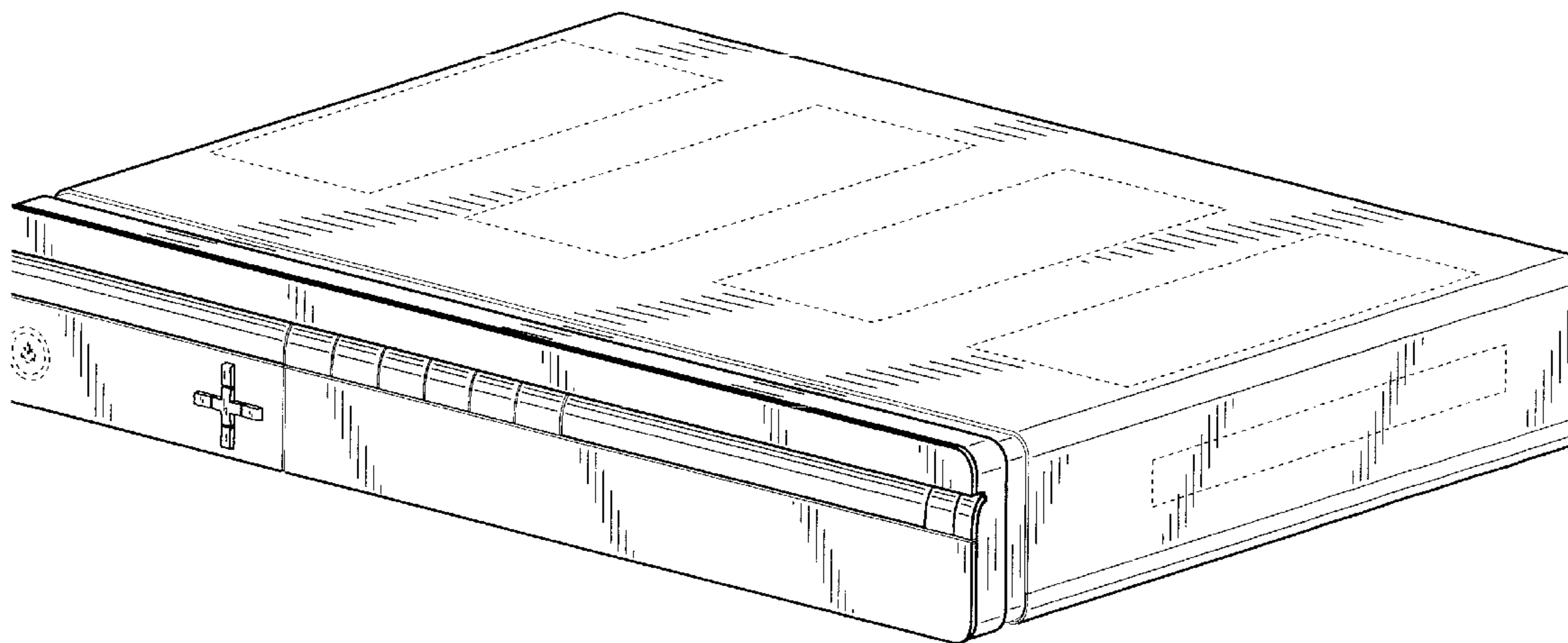
The broken lines, which define the bounds of the claimed design form no part thereof. The broken lines environmental is for illustrative purpose only and forms no part of the claimed design.

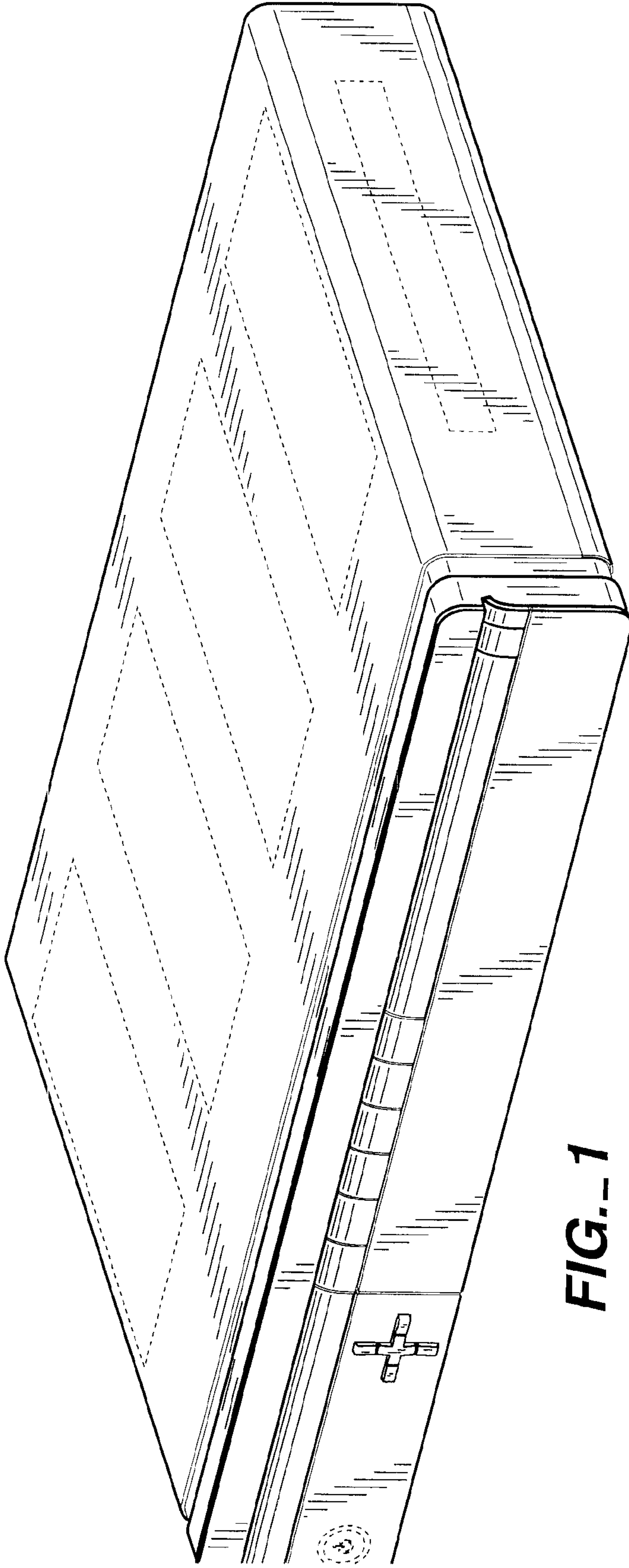
(56) **References Cited**

**U.S. PATENT DOCUMENTS**

- D379,984 S \* 6/1997 Funayama et al. .... D14/188
- 5,650,891 A \* 7/1997 Thayne et al. .... 360/99.06
- D435,031 S \* 12/2000 Uchiyama ..... D14/156
- D436,942 S \* 1/2001 Ito et al. .... D14/168

**1 Claim, 4 Drawing Sheets**

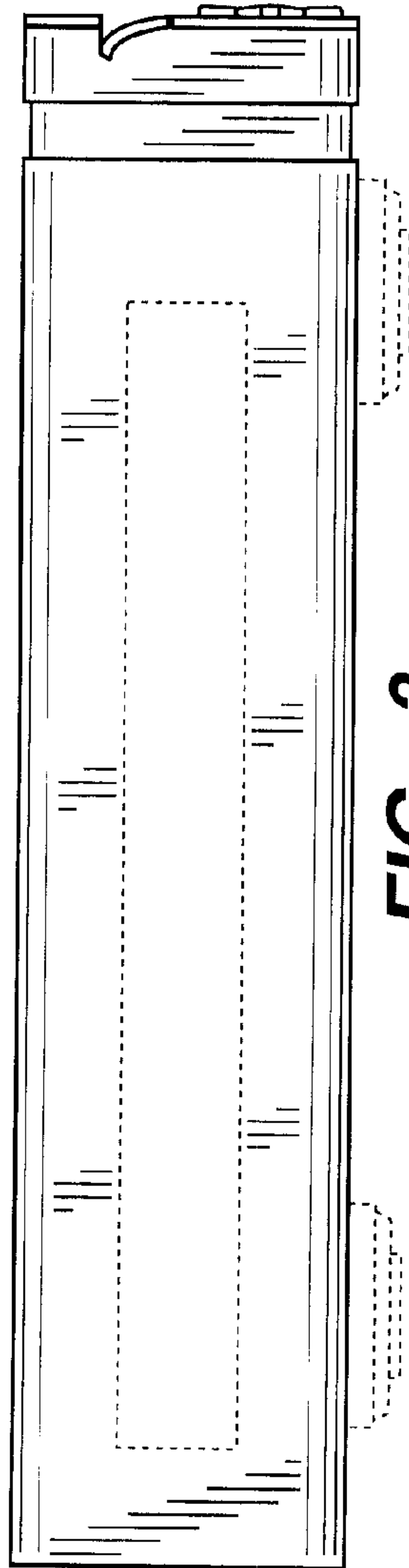




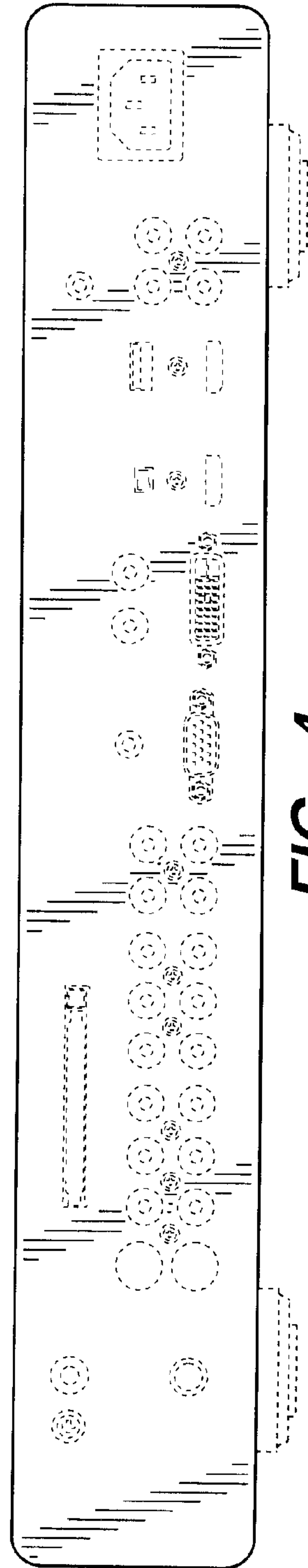
**FIG. 1**



**FIG. 2**



**FIG. 3**



**FIG. 4**

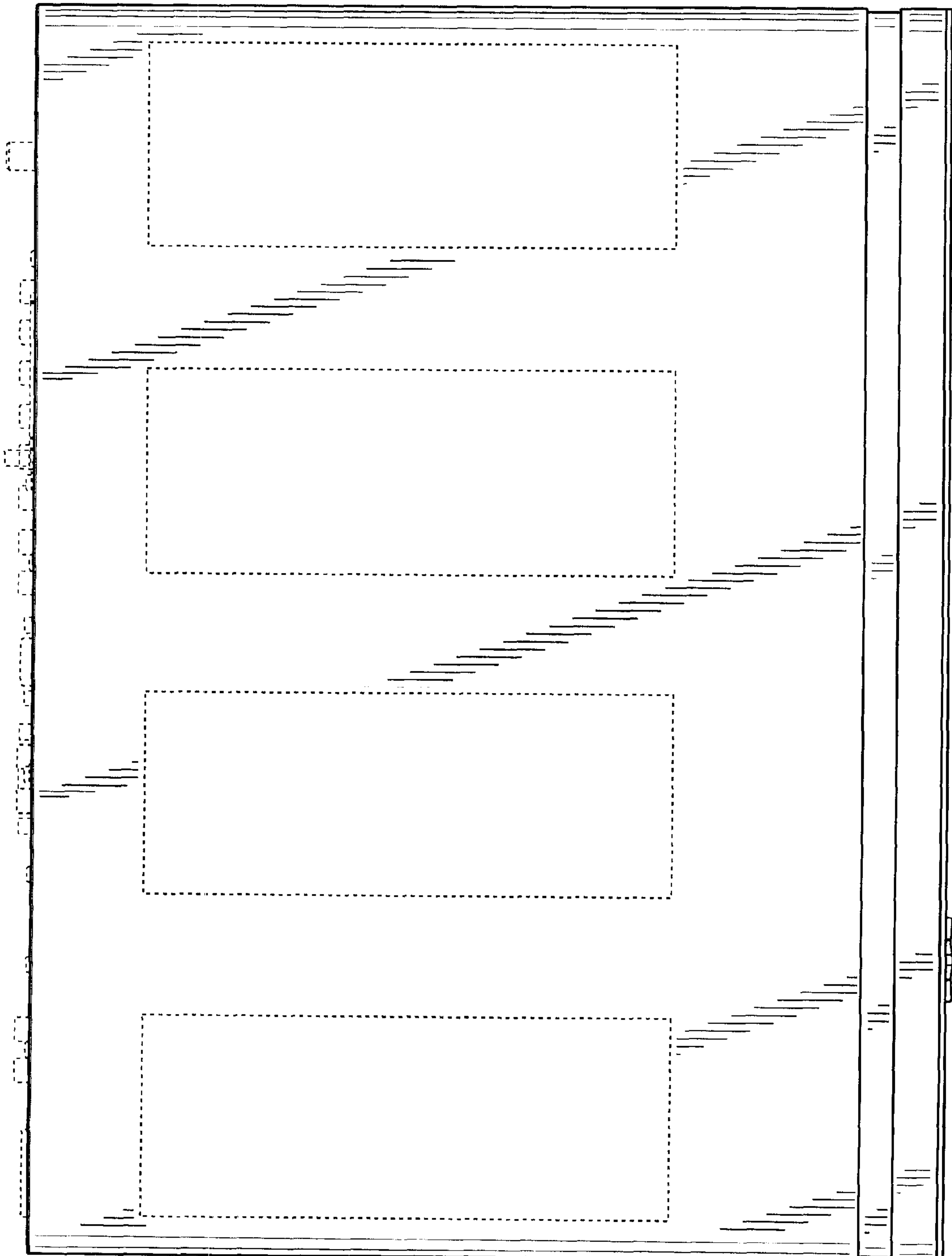


FIG. 5

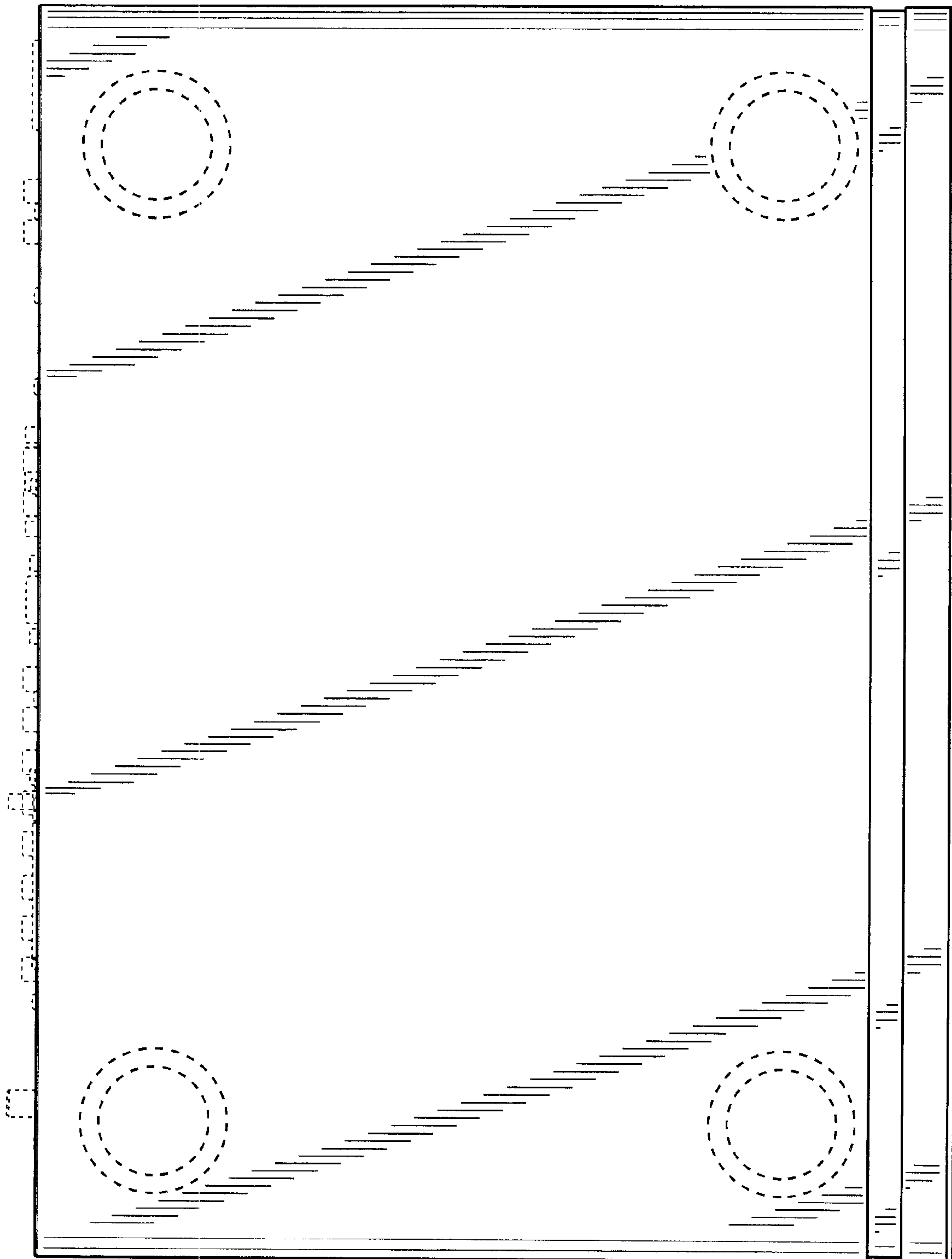


FIG. 6