



US00D531180S

(12) **United States Design Patent**  
**Goto**

(10) **Patent No.:** **US D531,180 S**

(45) **Date of Patent:** **\*\* Oct. 31, 2006**

(54) **SUPPORTING BASE**

(75) **Inventor:** **Teiyu Goto**, Tokyo (JP)

(73) **Assignee:** **Sony Computer Entertainment Inc.**,  
Tokyo (JP)

(\*\*) **Term:** **14 Years**

(21) **Appl. No.:** **29/224,859**

(22) **Filed:** **Mar. 9, 2005**

(30) **Foreign Application Priority Data**

Sep. 16, 2004 (JP) ..... D2004-028160

(51) **LOC (8) Cl.** ..... **14-02**

(52) **U.S. Cl.** ..... **D14/432**

(58) **Field of Classification Search** ..... 360/99.08,  
360/99.12, 78.13, 99.11, 99.04, 99.06; D14/135-6,  
D14/224, 229, 238, 251, 260.1, 299, 356,  
D14/363, 366, 413, 432, 439, 447, 451, 471,  
D14/478, 483-4, 239, 375, 442; D6/466;  
156/379.6; 369/189; 720/706; D21/329; 248/131,  
248/349.1, 917; 345/905; 349/58; 361/681  
See application file for complete search history.

(56) **References Cited**

**U.S. PATENT DOCUMENTS**

3,455,531 A \* 7/1969 Baker ..... 248/349.1  
3,891,171 A \* 6/1975 Samuelian et al. .... 248/131  
4,026,067 A \* 5/1977 Wengel ..... 47/39  
D253,594 S \* 12/1979 Antenbring ..... D14/451  
D375,494 S \* 11/1996 Urlik ..... D14/484  
D394,646 S \* 5/1998 Ratzlaff ..... D14/451

D395,641 S 6/1998 Gaete  
5,765,796 A \* 6/1998 Lanus ..... 248/349.1  
5,779,855 A \* 7/1998 Amo et al. .... 156/379.6  
5,947,440 A \* 9/1999 Cho ..... 361/681  
D415,478 S \* 10/1999 Chuo et al. .... D14/375  
D466,118 S \* 11/2002 Lee ..... D14/375  
D477,303 S 7/2003 Niitsu  
D484,480 S 12/2003 Tsuge  
D500,504 S \* 1/2005 Boissomeault et al. ... D14/478  
D508,696 S \* 8/2005 Ramey et al. .... D14/451

**FOREIGN PATENT DOCUMENTS**

GB D-300411 S 4/2000

\* cited by examiner

*Primary Examiner*—Robin Webster

*Assistant Examiner*—Karen E. Patterson

(74) *Attorney, Agent, or Firm*—Rader, Fishman & Grauer  
PLLC

(57) **CLAIM**

The ornamental design for a supporting base, as shown.

**DESCRIPTION**

FIG. 1 is a front elevational view of a supporting base showing my new design;

FIG. 2 is a rear elevational view thereof;

FIG. 3 is a left side elevational view thereof;

FIG. 4 is a right side elevational view thereof;

FIG. 5 is a top plan view thereof;

FIG. 6 is a bottom plan view thereof; and

FIG. 7 is a perspective view thereof.

**1 Claim, 4 Drawing Sheets**

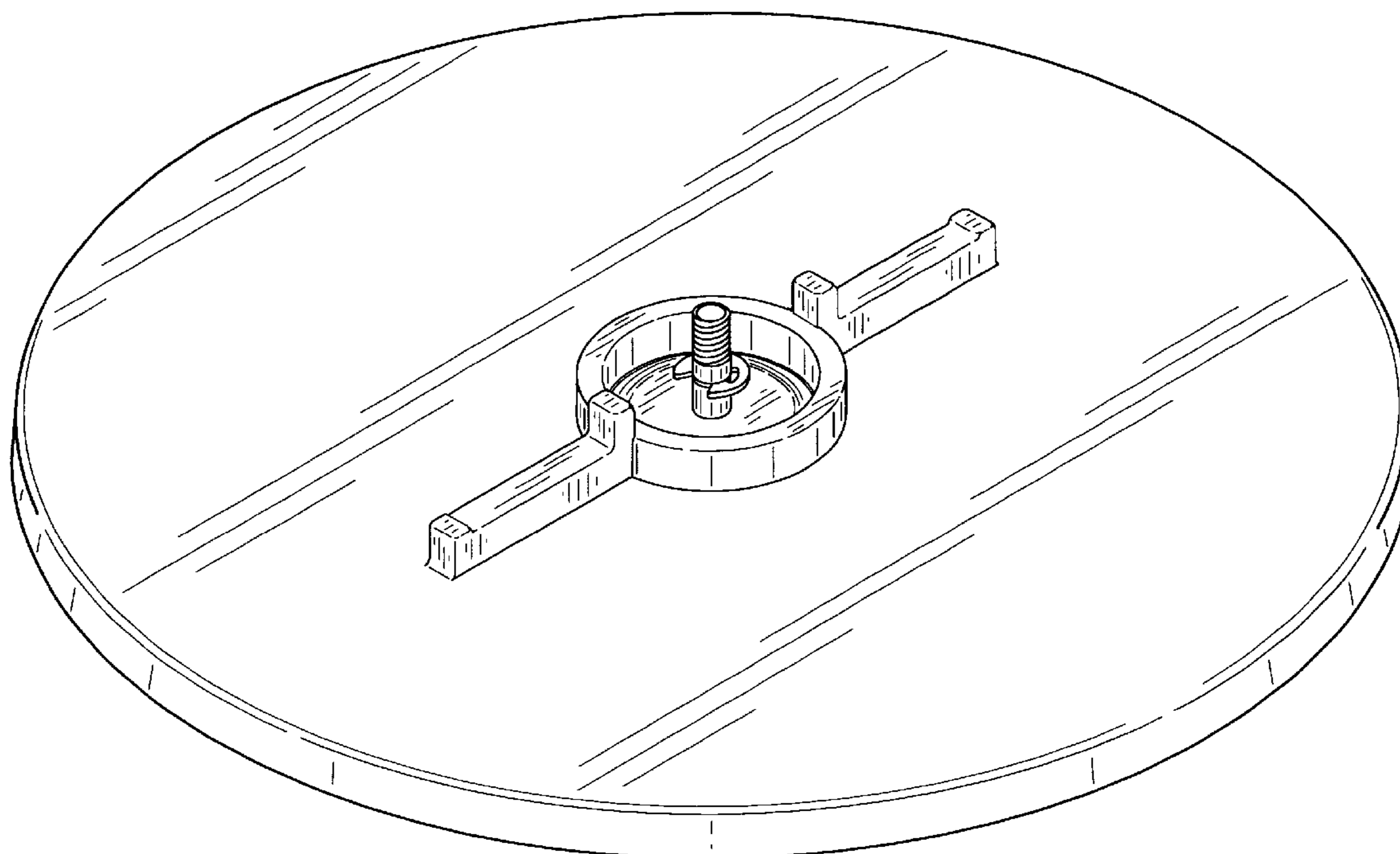


FIG.1

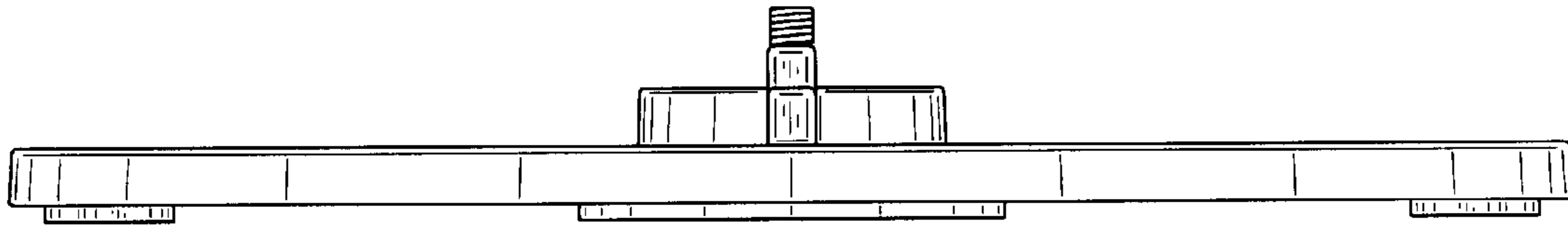


FIG.2

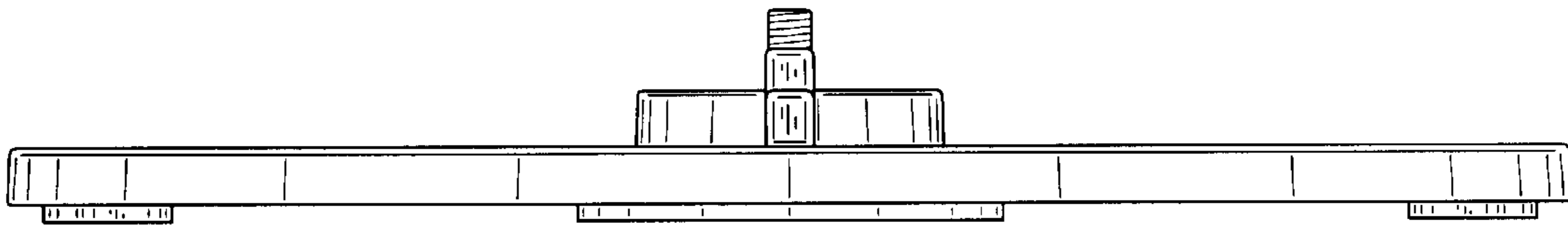


FIG.3

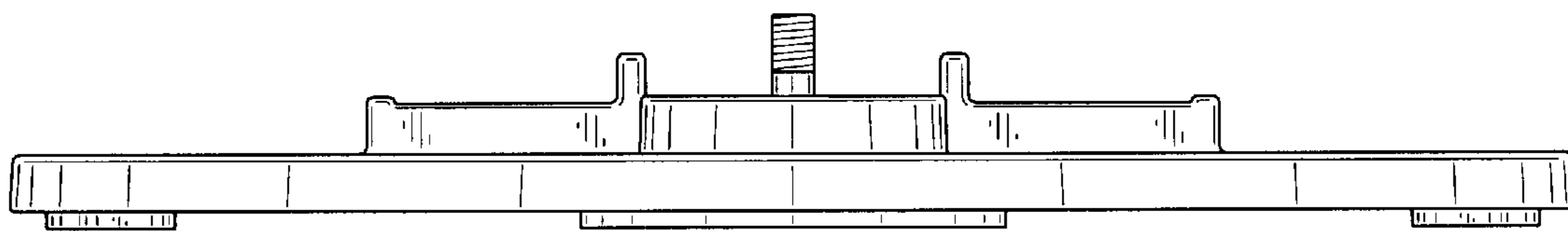
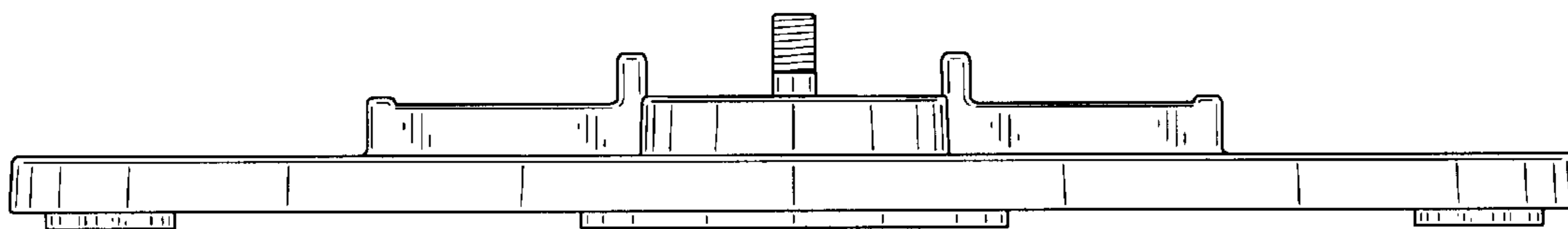


FIG.4



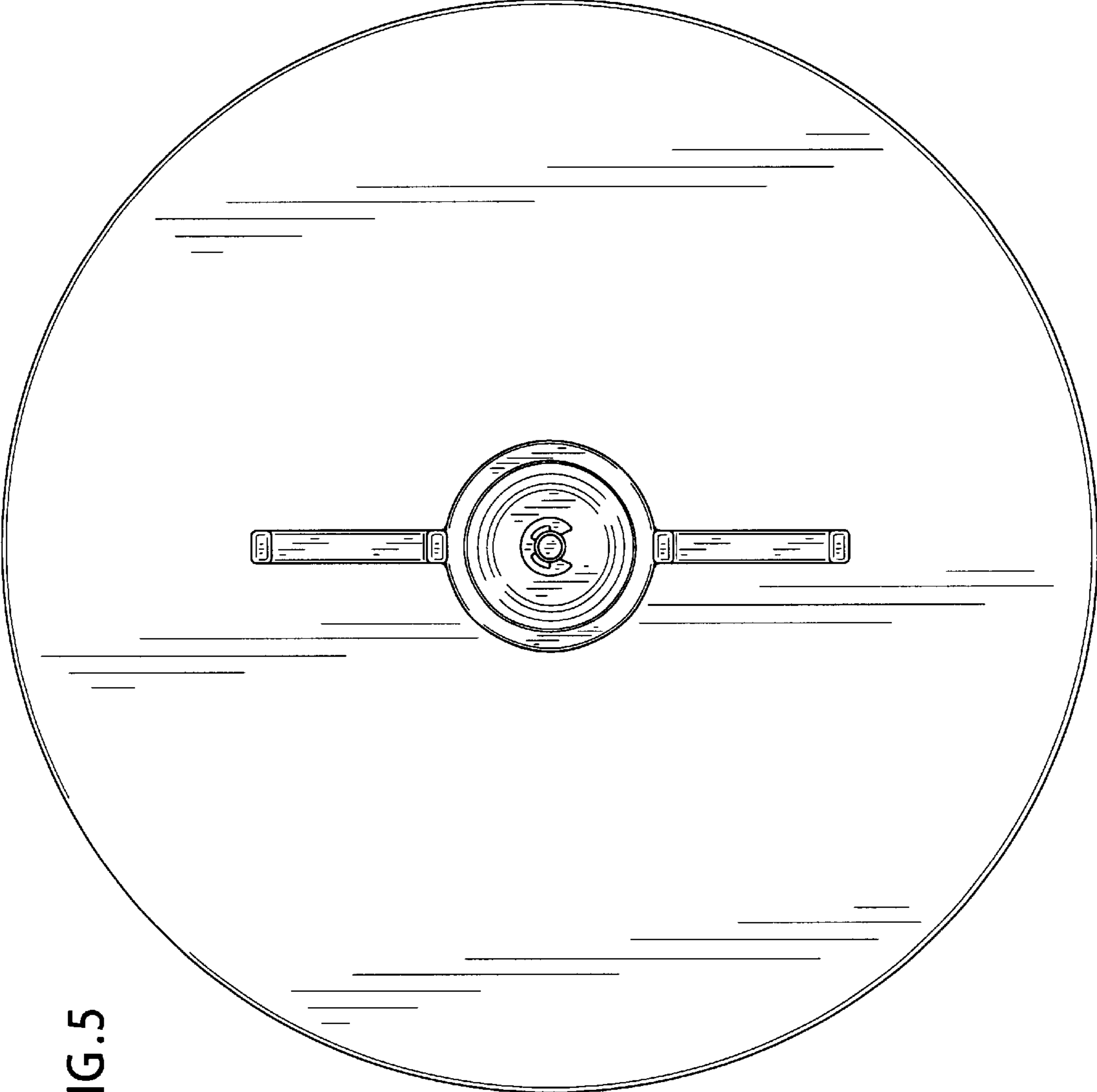


FIG.5

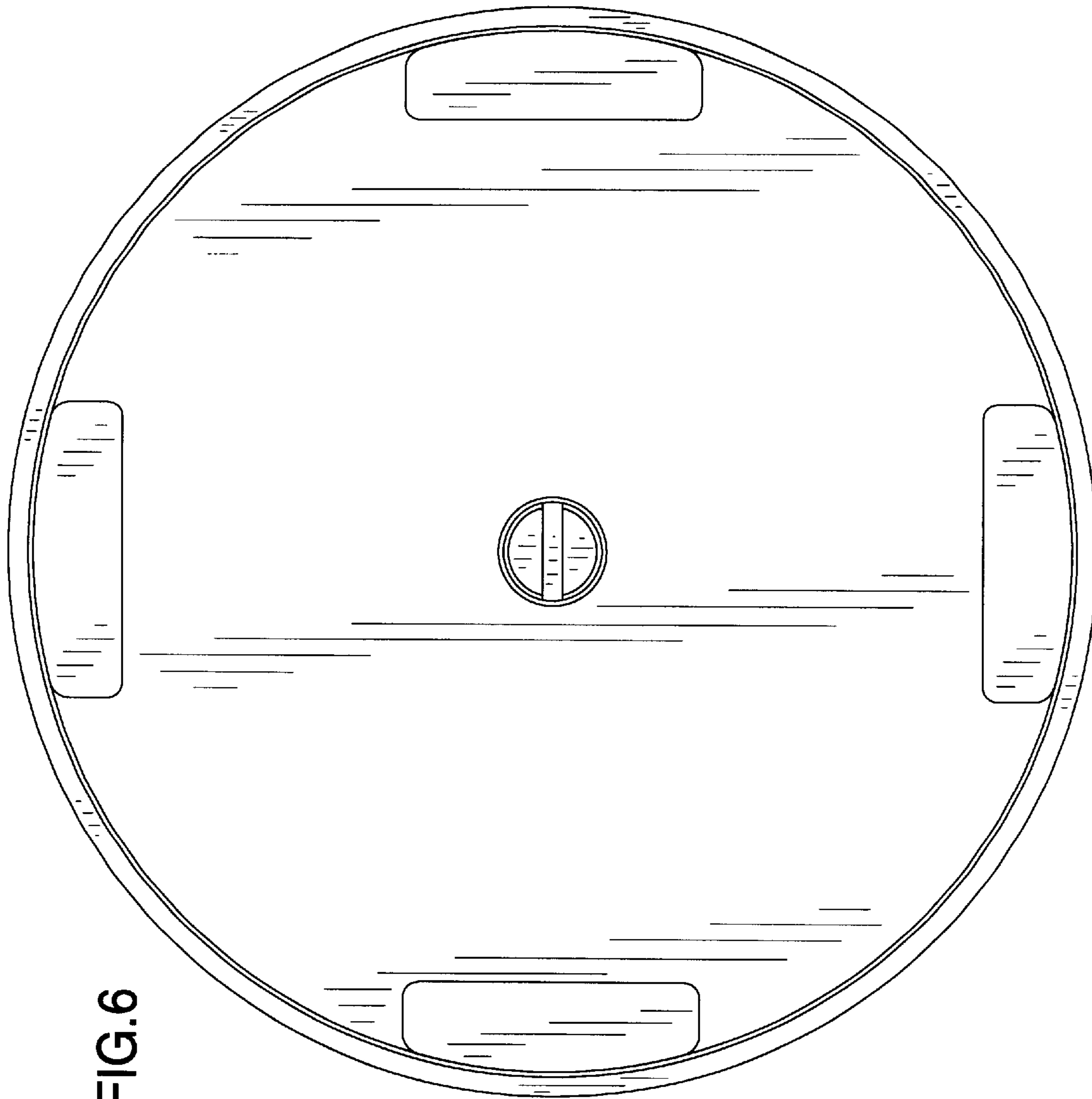


FIG. 6

FIG. 7

