



US00D531176S

(12) **United States Design Patent**
Ng et al.

(10) **Patent No.:** **US D531,176 S**
(45) **Date of Patent:** **** Oct. 31, 2006**

(54) **CONSOLE HOUSING**

(75) Inventors: **Phoebe Ng**, San Jose, CA (US); **Robert Stepanian**, 4134 Cranford Cir., San Francisco, CA (US) 95124; **Allison S. Conner**, San Francisco, CA (US)

(73) Assignee: **Robert Stepanian**, San Francisco, CA (US)

(**) Term: **14 Years**

(21) Appl. No.: **29/236,021**

(22) Filed: **Aug. 10, 2005**

(51) **LOC (8) Cl.** **14-02**

(52) **U.S. Cl.** **D14/300**

(58) **Field of Classification Search** D14/300,
D14/301, 313, 314, 356-368, 349, 435; D13/162,
D13/184, 199; 312/223.1-223.3; 360/99.01,
360/99.12; 369/34.01, 36.01, 77.2; 361/680-686,
361/690-696; 720/613

See application file for complete search history.

(56) **References Cited**

U.S. PATENT DOCUMENTS

| | | | | | |
|-------------|---|---------|------------------|-------|---------|
| D223,096 S | * | 3/1972 | Gilson | | D14/365 |
| D271,202 S | * | 11/1983 | Endt | | D14/368 |
| D306,286 S | * | 2/1990 | Sawatani et al. | | D14/368 |
| 5,105,414 A | * | 4/1992 | Funabashi et al. | | 720/613 |
| D370,211 S | * | 5/1996 | Lee | | D14/349 |
| 5,650,831 A | | 7/1997 | Farwell | | |
| D383,732 S | * | 9/1997 | Haley et al. | | D14/435 |
| D387,061 S | | 12/1997 | Nozoe | | |
| D395,891 S | | 7/1998 | Gerba et al. | | |

| | | | |
|-------------------|---------|------------------|----------------|
| D407,071 S | 3/1999 | Keating | |
| D425,899 S | 5/2000 | Dent | |
| 6,707,448 B1 | 3/2004 | Kunimatsu et al. | |
| D504,417 S | 4/2005 | Reza et al. | |
| D514,527 S | 2/2006 | DiPasquale | |
| 2002/0002707 A1 | 1/2002 | Ekel et al. | |
| 2002/0092025 A1 | 7/2002 | Klumpp | |
| 2002/0158812 A1 | 10/2002 | Pallakoff | |
| 2002/0181380 A1 * | 12/2002 | Wada et al. | 369/77.2 |
| 2003/0174084 A1 | 9/2003 | Maeda | |
| 2004/0224638 A1 | 11/2004 | Fadell et al. | |
| 2005/0012723 A1 | 1/2005 | Pallakoff | |
| 2006/0017857 A1 | 1/2006 | Sata et al. | |

* cited by examiner

Primary Examiner—Freda S. Nunn

(74) *Attorney, Agent, or Firm*—James F. Hann; Haynes Beffel & Wolfeld LLP

(57) **CLAIM**

The ornamental design for a console housing, as shown and described.

DESCRIPTION

The console housing is used to contain a multimedia and information device.

FIG. 1 is a front, right, top view of a console housing showing our new design;

FIG. 2 is a top plan view thereof;

FIG. 3 is a front elevational view thereof;

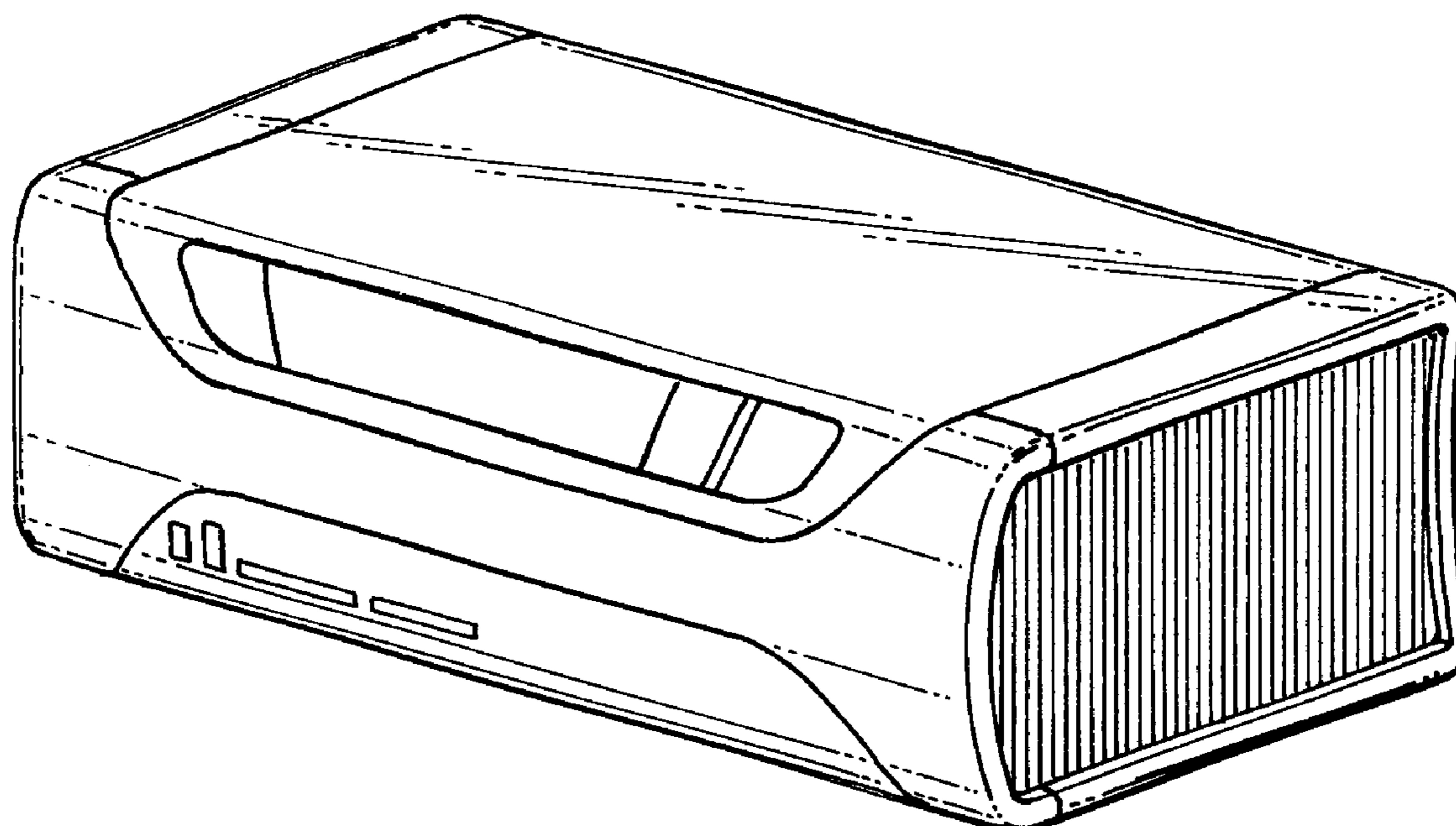
FIG. 4 is a right side elevational view thereof;

FIG. 5 is a left side elevational view thereof;

FIG. 6 is a rear elevational view thereof; and,

FIG. 7 is a bottom view plan thereof.

1 Claim, 2 Drawing Sheets



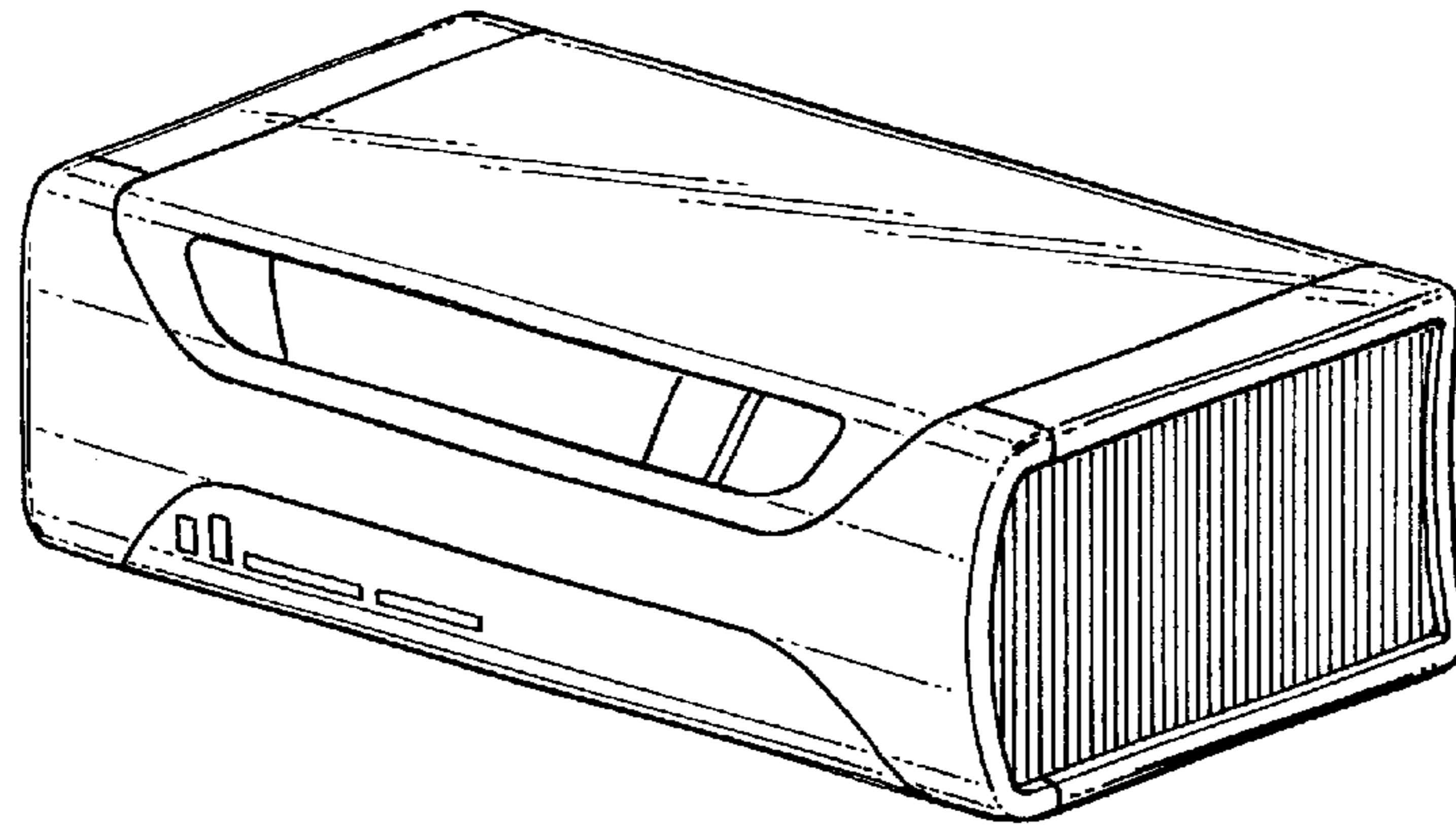


FIG. 1

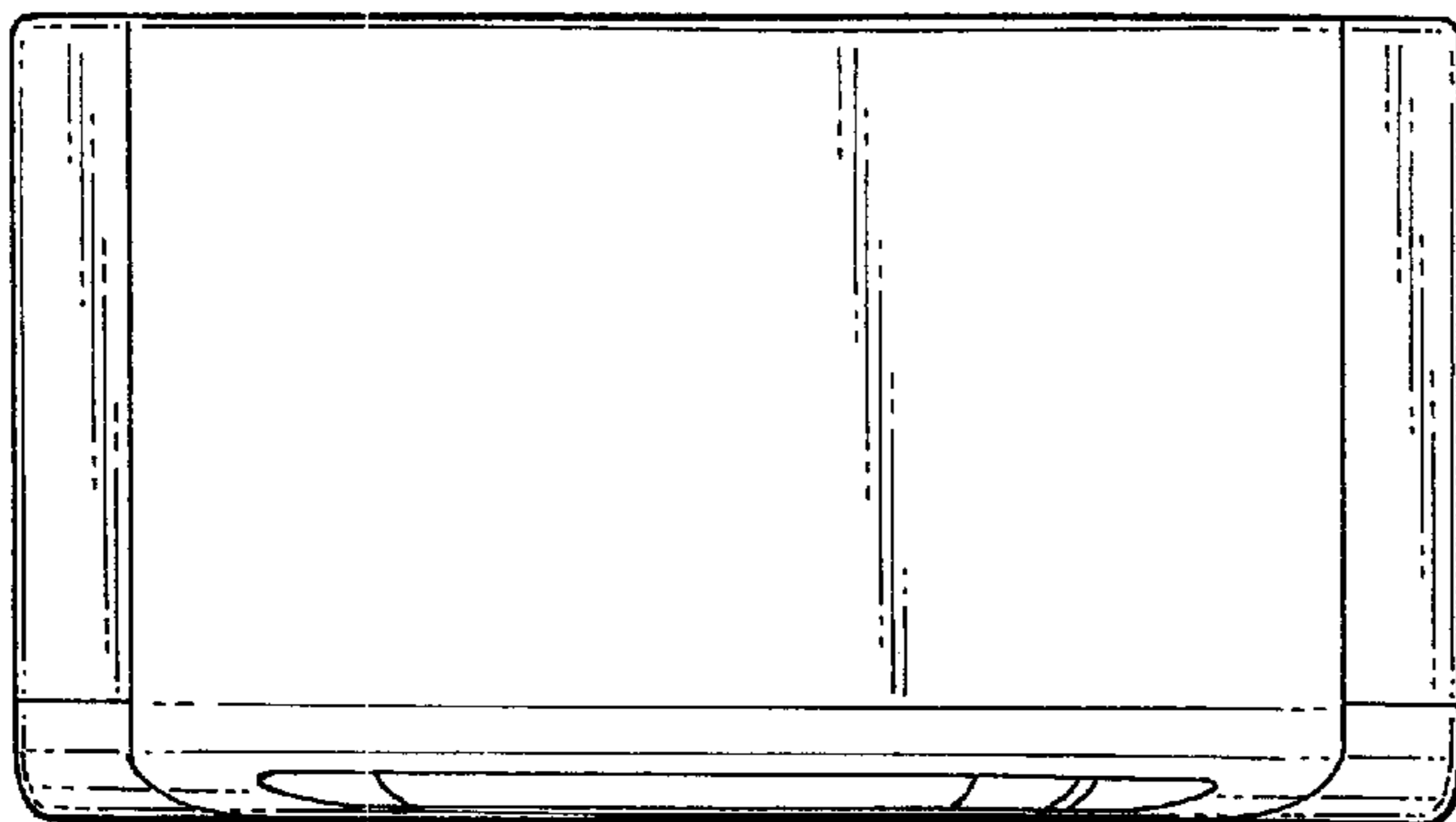


FIG. 2

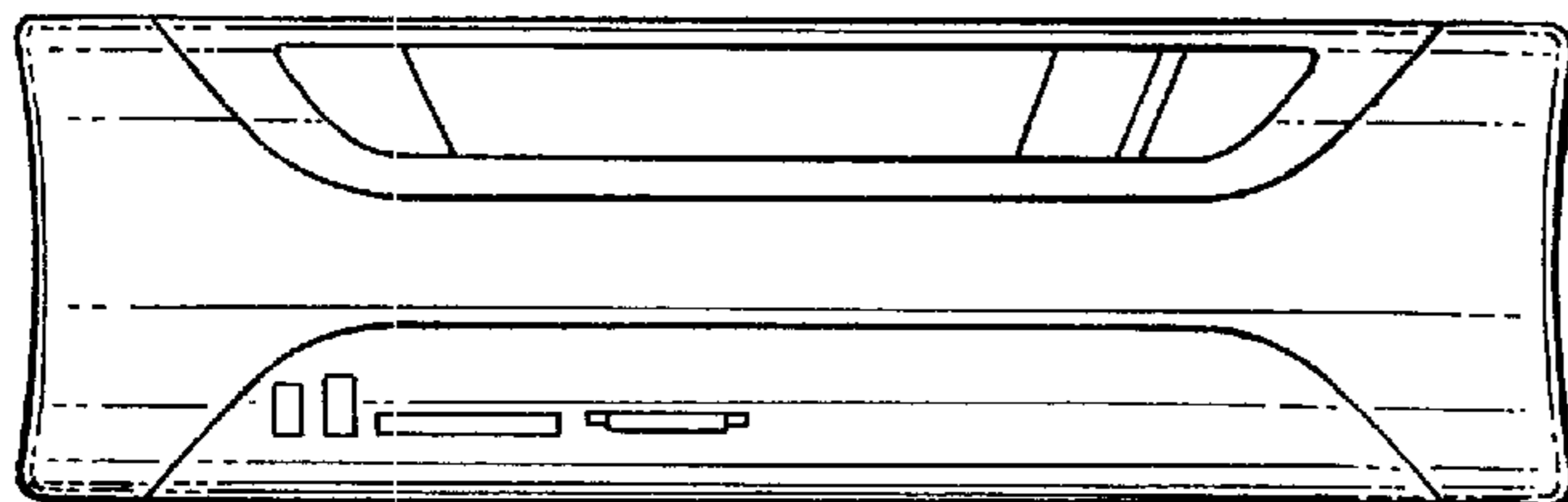


FIG. 3

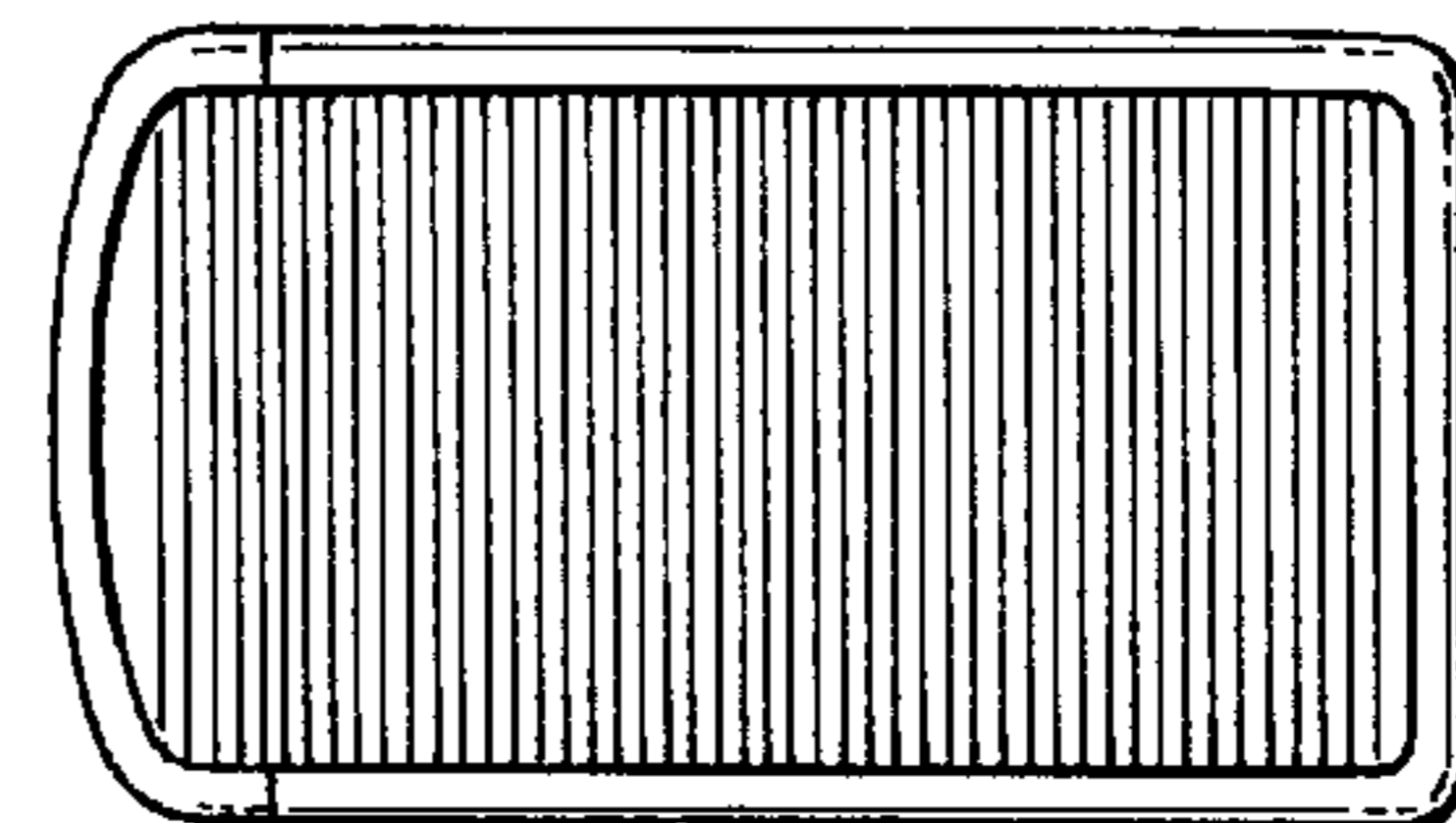


FIG. 4

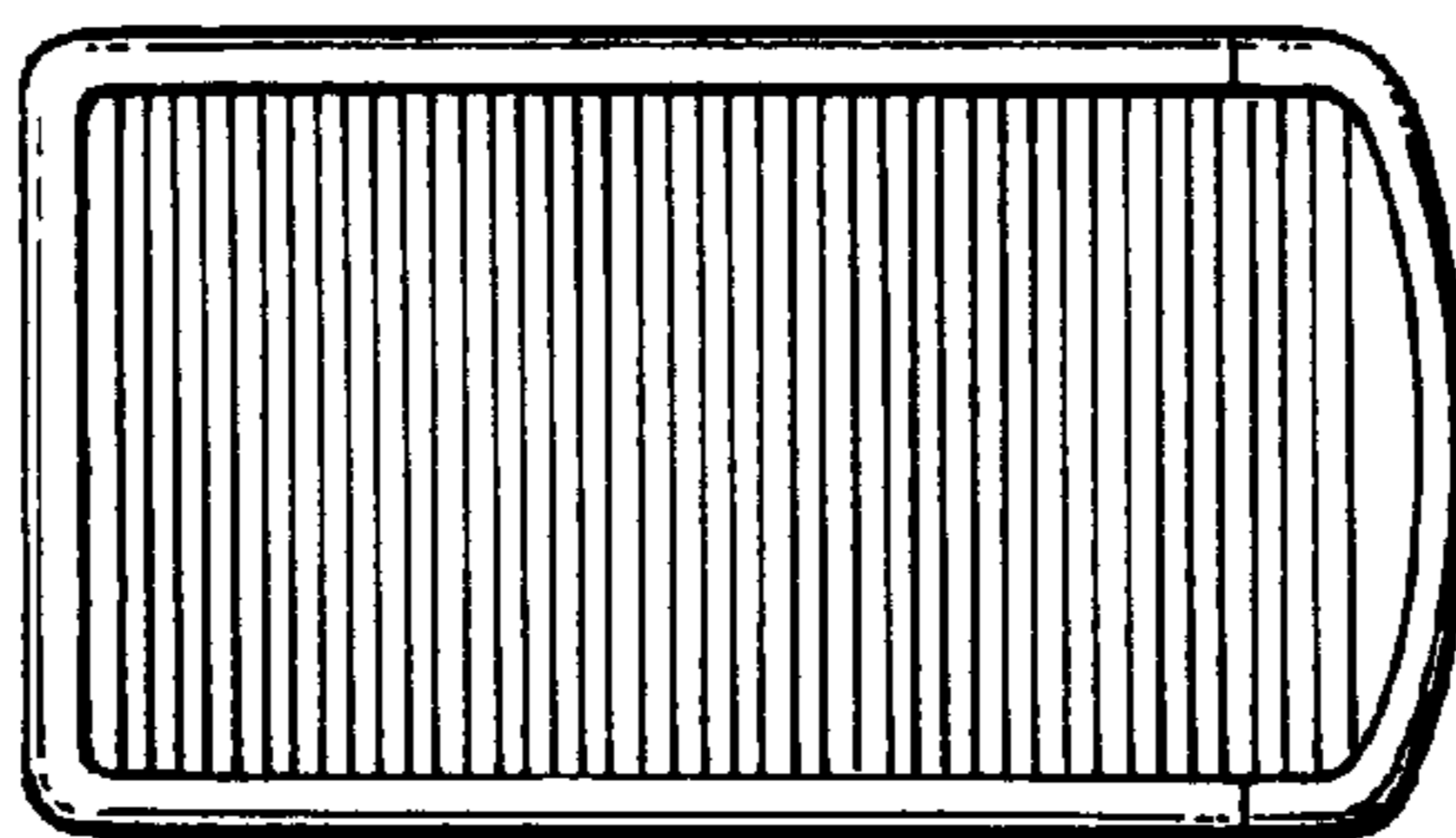


FIG. 5

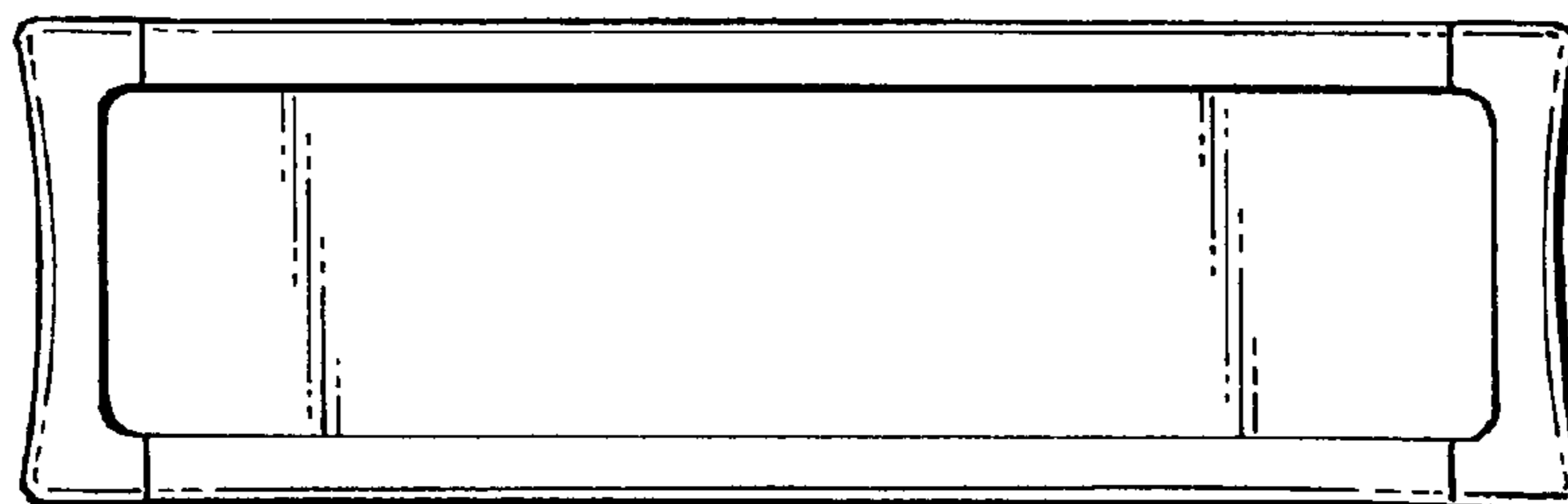


FIG. 6

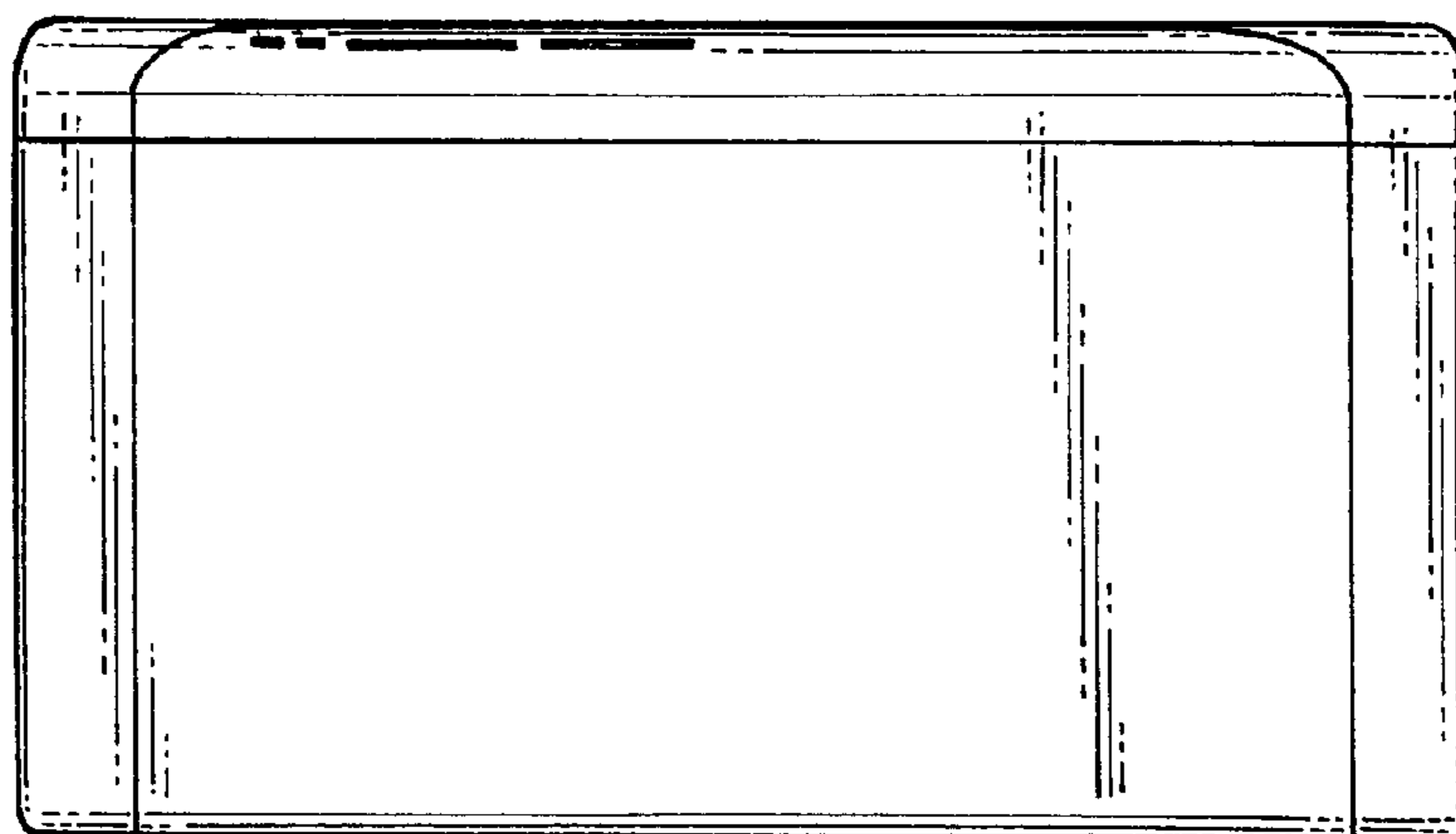


FIG. 7