



US00D531175S

(12) **United States Design Patent**  
**Moskaluk et al.**

(10) **Patent No.:** **US D531,175 S**  
(45) **Date of Patent:** **\*\* Oct. 31, 2006**

(54) **ALL-IN-ONE PERSONAL COMPUTER,  
PRINTER, FAX, SCANNER AND COPIER**

(75) Inventors: **Raymond Wayne Moskaluk**, San Jose,  
CA (US); **Jerry Bennett Ortkiese**, San  
Jose, CA (US)

(73) Assignee: **Hewlett-Packard Development  
Company, L.P.**, Houston, TX (US)

(\*\*) Term: **14 Years**

(21) Appl. No.: **29/203,698**

(22) Filed: **Apr. 16, 2004**

(51) **LOC (8) Cl.** ..... **14-02**

(52) **U.S. Cl.** ..... **D14/300; D18/55; D18/39;**  
D14/463; D14/421

(58) **Field of Classification Search** ..... D14/300,  
D14/301, 314, 356, 370, 420-425, 462-464,  
D14/468, 469; D18/36-39, 50, 54, 55; 250/556;  
355/64, 65, 75, 81; 358/400, 401, 473; 399/87  
See application file for complete search history.

(56) **References Cited**

**U.S. PATENT DOCUMENTS**

D282,842 S	*	3/1986	Yomo	.....	D14/463
5,771,419 A		6/1998	Kubo et al.		
5,864,735 A		1/1999	Fukuda et al.		
5,877,746 A		3/1999	Parks et al.		
5,995,678 A		11/1999	Motoyama		
6,026,258 A	*	2/2000	Fresk et al.	.....	399/87

6,026,308 A		2/2000	Hsich		
6,219,229 B1		4/2001	Lee		
D462,971 S	*	9/2002	Leong et al.	.....	D14/463
D469,085 S		1/2003	Hill et al.		
D476,029 S	*	6/2003	Lee et al.	.....	D18/55
6,654,234 B1		11/2003	Landry et al.		

\* cited by examiner

*Primary Examiner*—Freda S. Nunn

(74) *Attorney, Agent, or Firm*—Richard P. Lange

(57) **CLAIM**

The ornamental design for an all-in-one personal computer, printer, fax, scanner and copier, as shown and described.

**DESCRIPTION**

FIG. 1 is a front perspective view of an all-in-one personal computer, printer, fax, scanner and copier in accordance with the invention wherein the broken lines are shown for illustrative purposes only and form no part of the claimed design;

FIG. 2 is a back perspective view of the computer component shown separately for clarity of illustration only;

FIG. 3 is a bottom plan view thereof;

FIG. 4 is a right back perspective view an all-in-one personal computer, printer, fax, scanner and copier thereof;

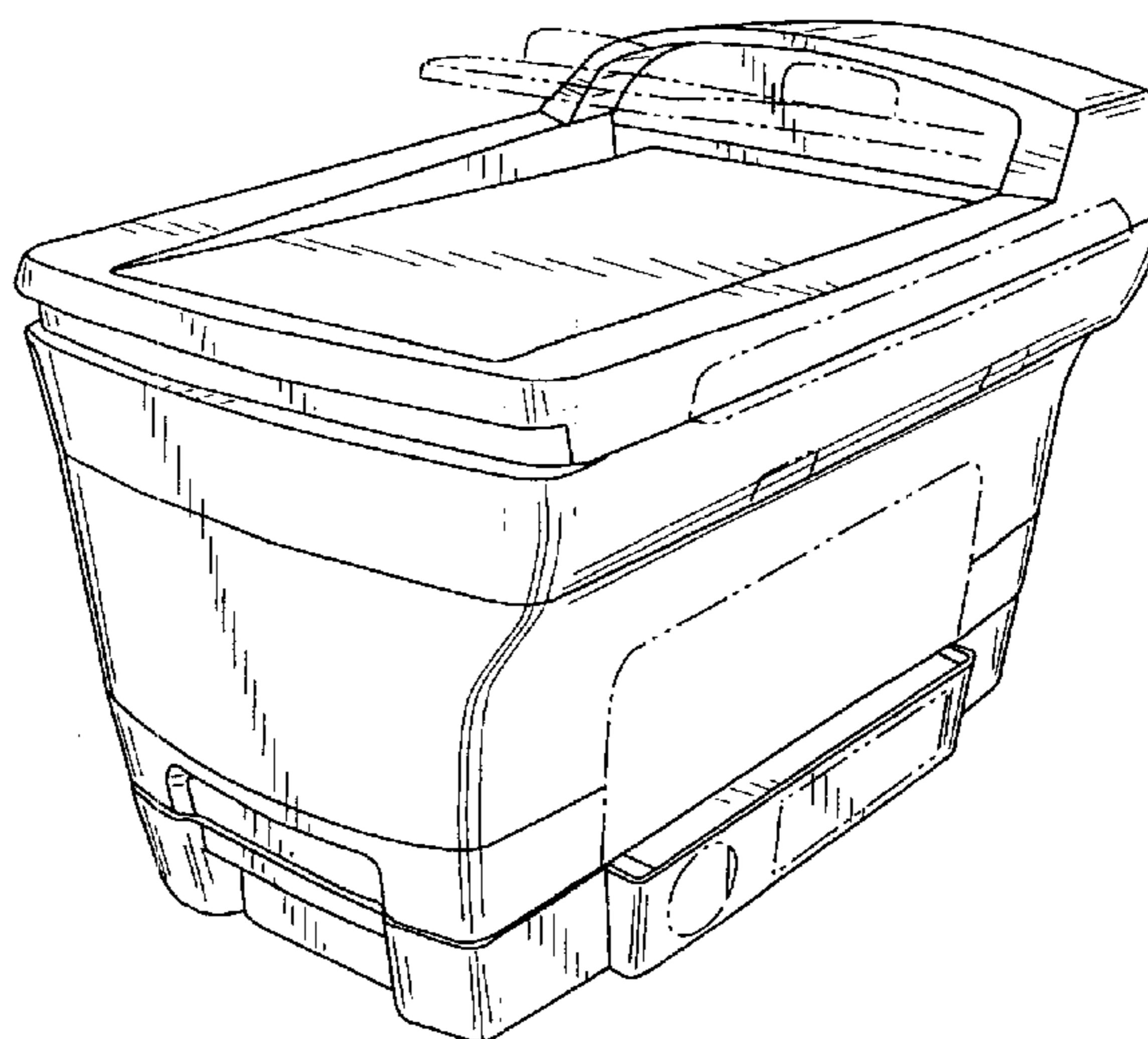
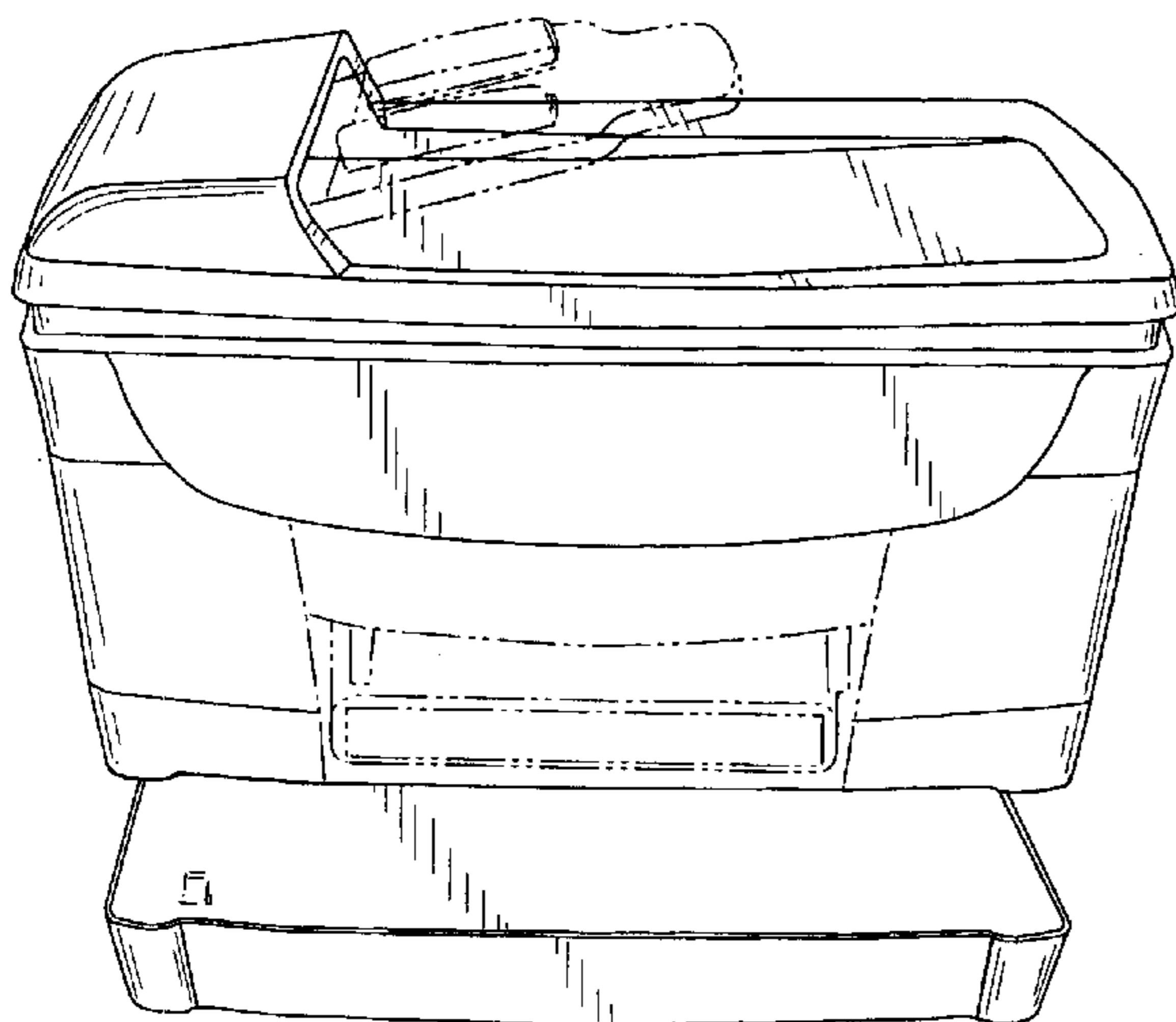
FIG. 5 is a front view thereof;

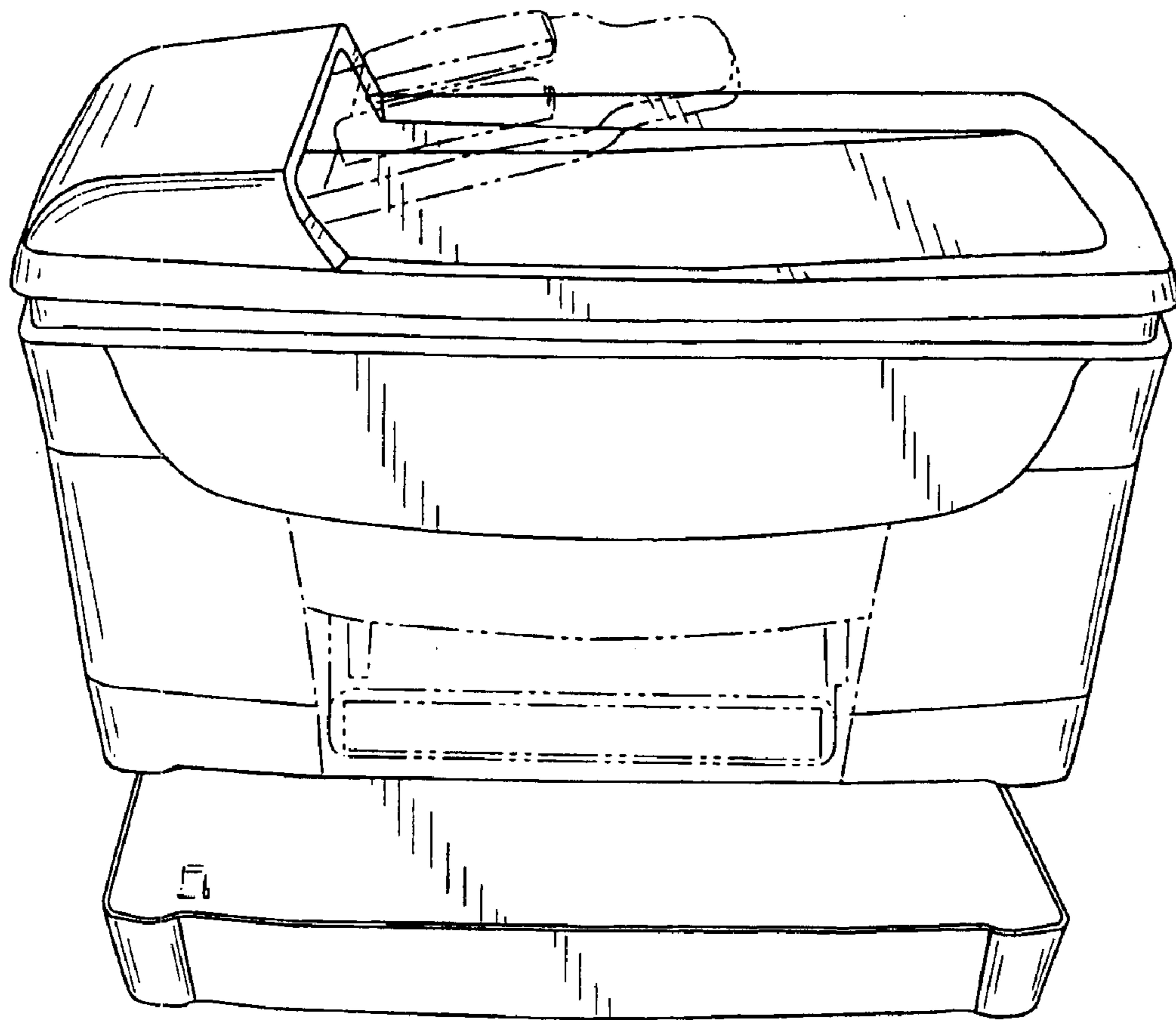
FIG. 6 is a back view thereof;

FIG. 7 is a left-side view thereof; and,

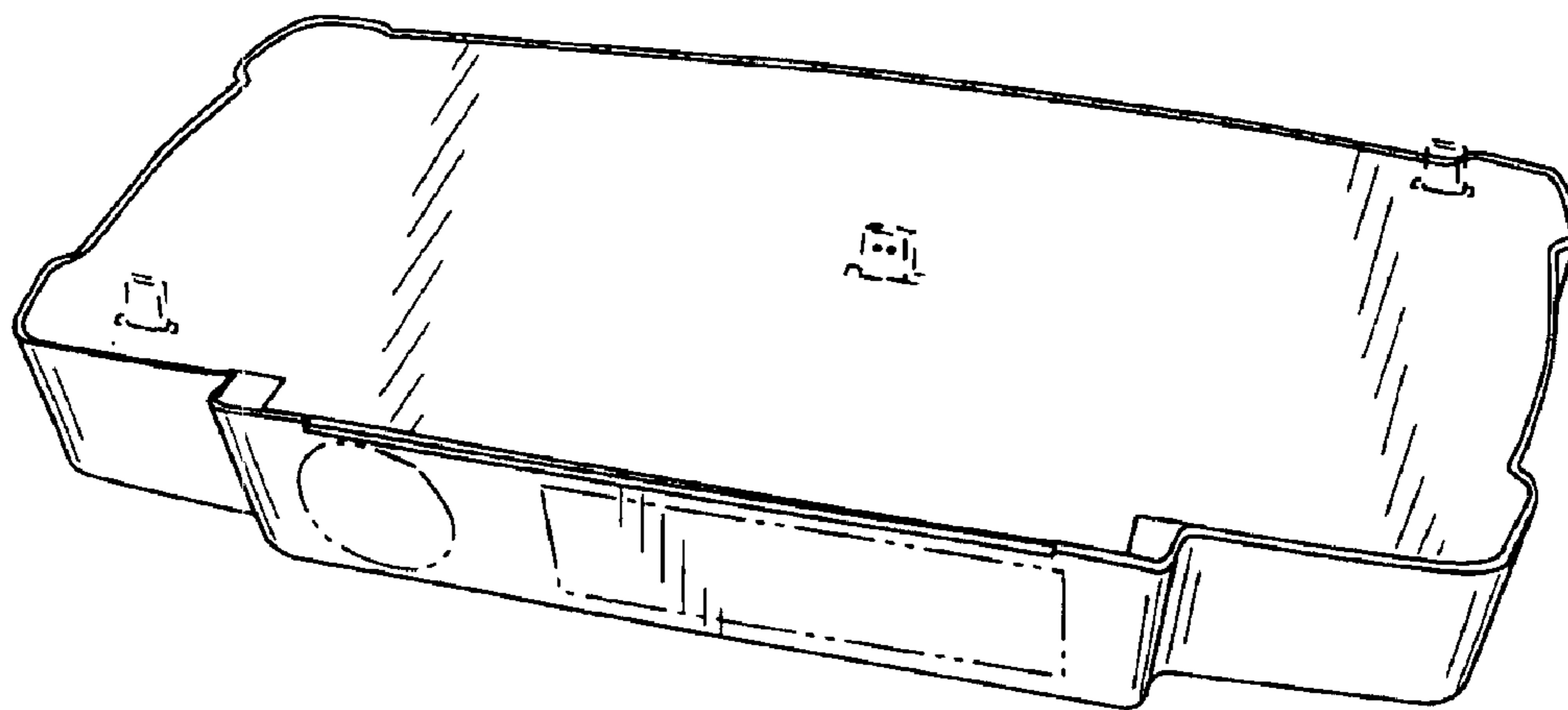
FIG. 8 is a right-side view thereof.

**1 Claim, 4 Drawing Sheets**

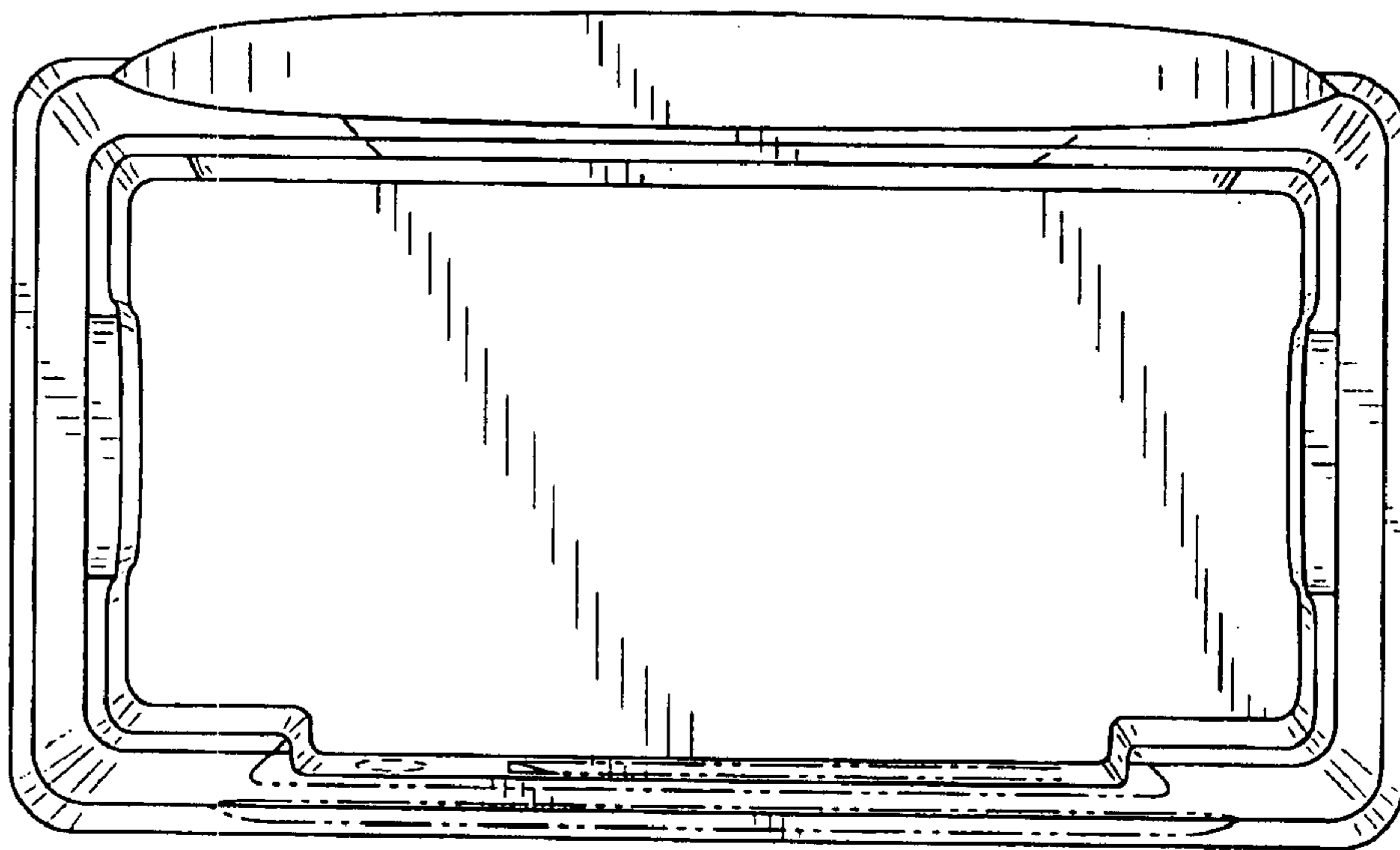




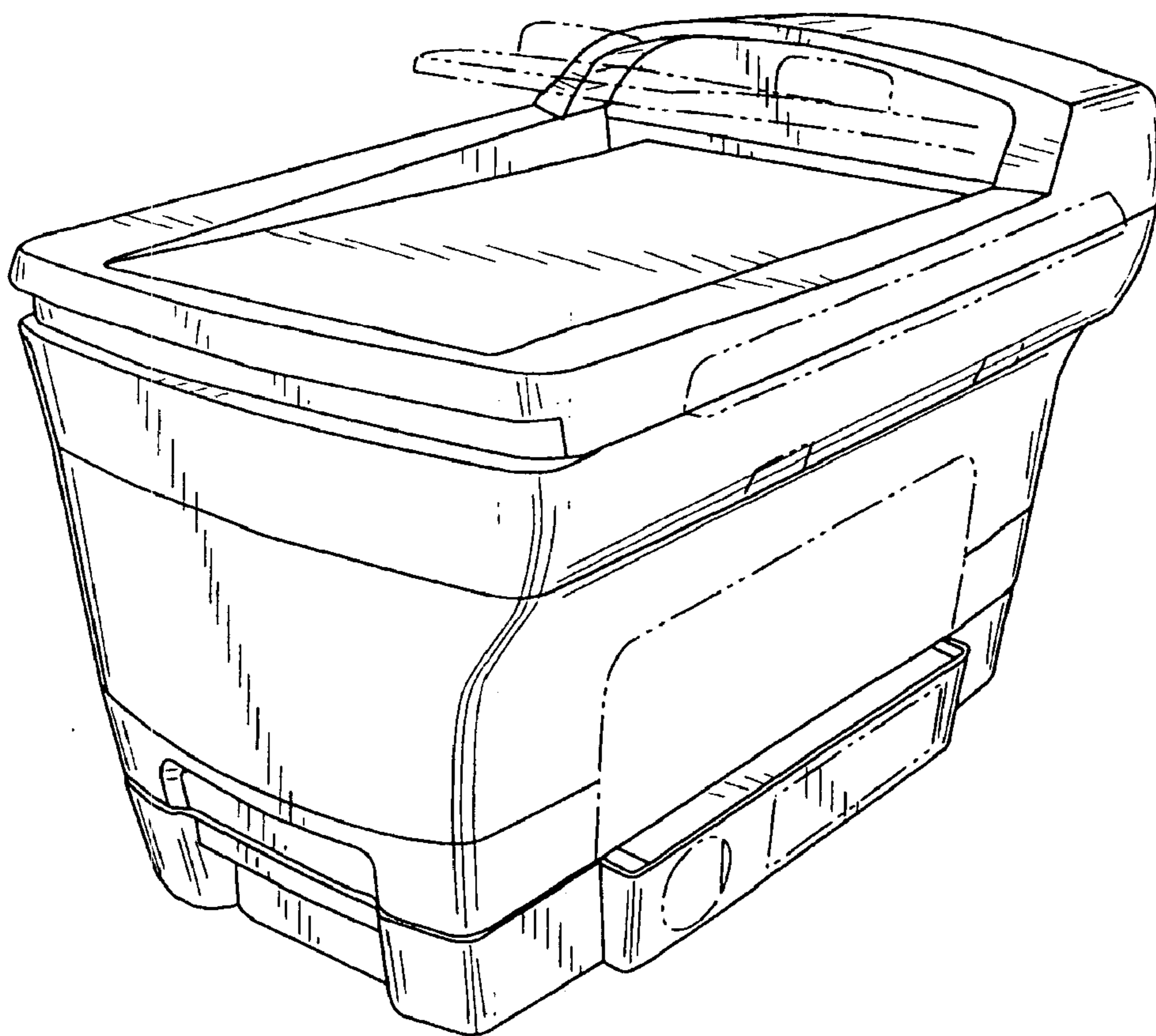
**FIG. 1**



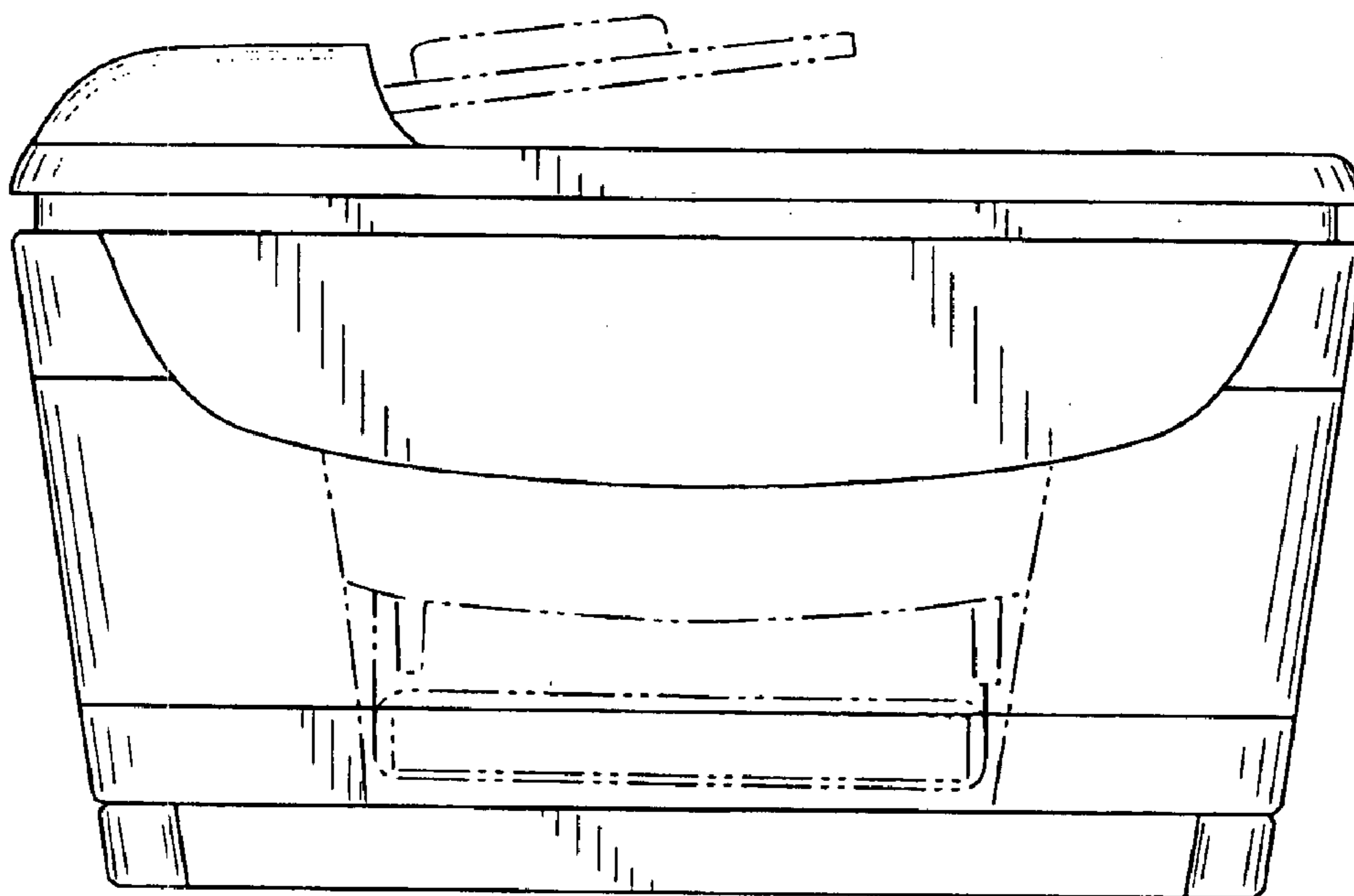
**FIG. 2**



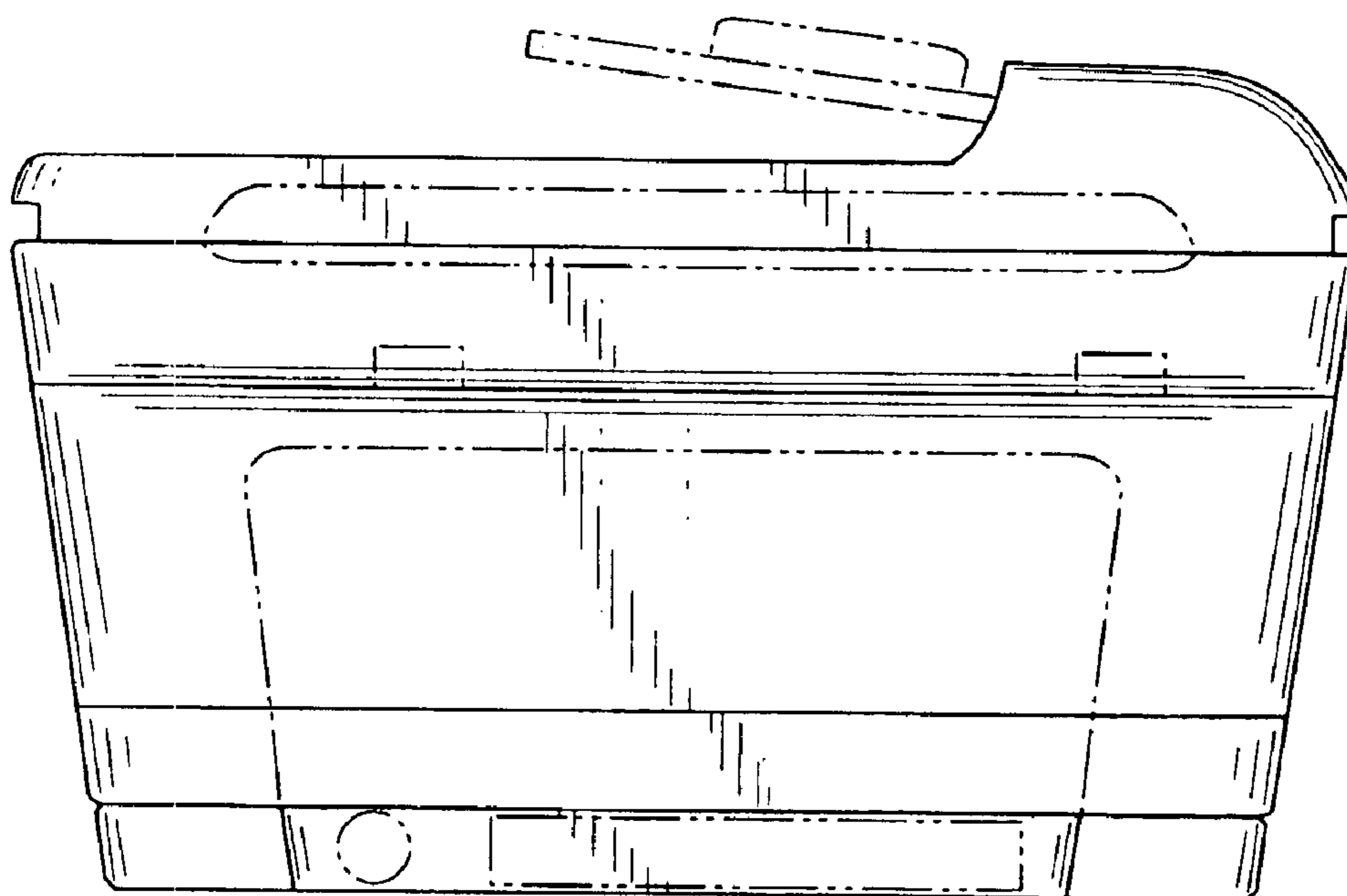
**FIG. 3**



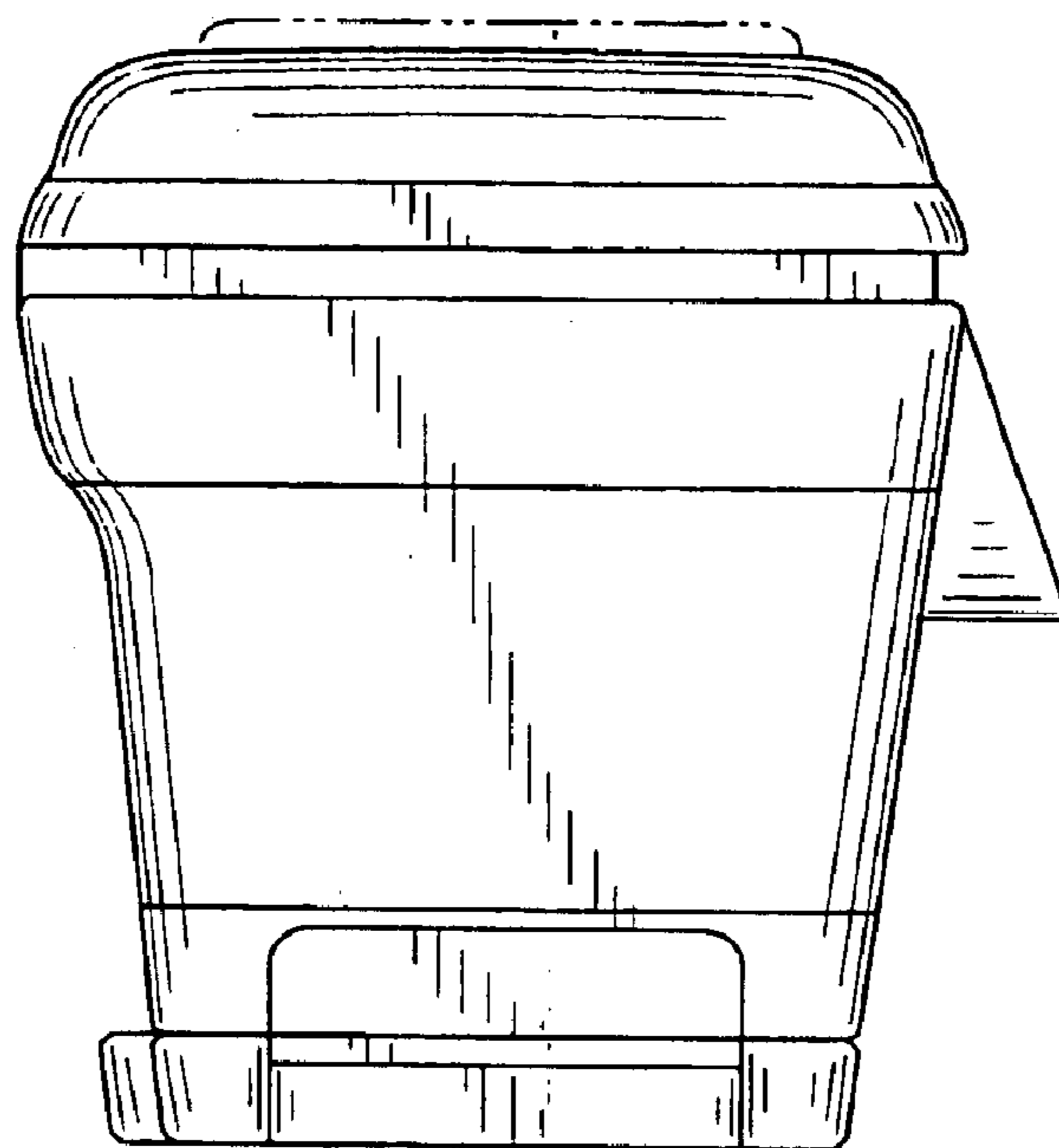
**FIG. 4**



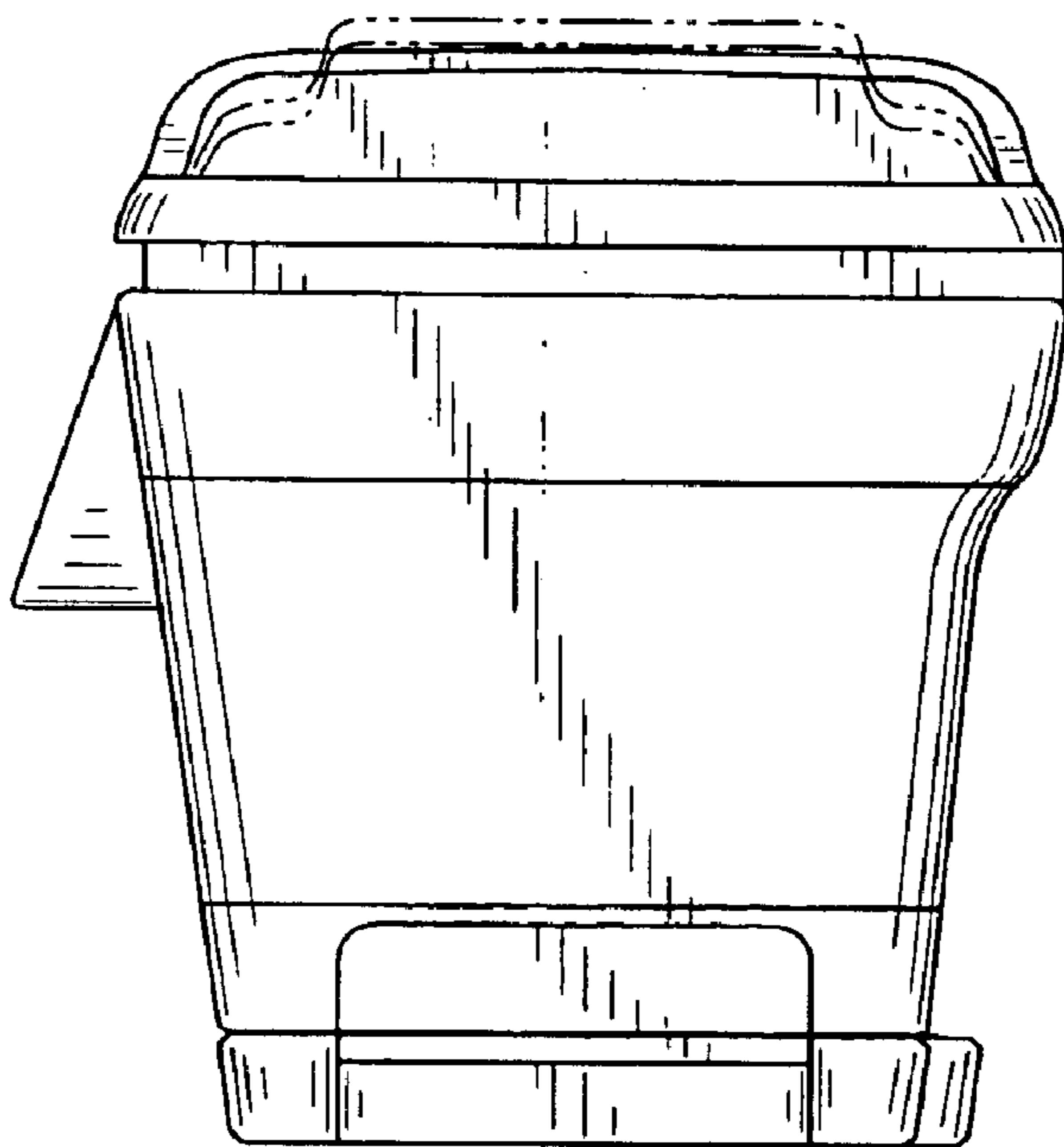
**FIG. 5**



**FIG. 6**



**FIG. 7**



**FIG. 8**