



US00D531172S

(12) **United States Design Patent**  
**Noro et al.**

(10) **Patent No.:** **US D531,172 S**  
(45) **Date of Patent:** **\*\* Oct. 31, 2006**

(54) **ANTENNA**

(75) Inventors: **Junichi Noro**, Minamiakita-gun (JP);  
**Takao Kato**, Minamiakita-gun (JP);  
**Toshiaki Aizawa**, Minamiakita-gun (JP)

(73) Assignee: **Mitsumi Electric Co., Ltd.**, Tokyo (JP)

(\*\*) Term: **14 Years**

(21) Appl. No.: **29/218,798**

(22) Filed: **Dec. 8, 2004**

(30) **Foreign Application Priority Data**

Aug. 19, 2004 (JP) ..... 2004-024739

(51) **LOC (8) Cl.** ..... **14-03**

(52) **U.S. Cl.** ..... **D14/230**

(58) **Field of Classification Search** ..... D14/137,  
D14/138, 230–238, 299, 358; D12/42, 43;  
343/700 R–705, 871–908, 795, 840, 711–713,  
343/819, 846; 455/90.2, 90.3, 91, 128, 269,  
455/344, 347, 562.1

See application file for complete search history.

(56) **References Cited**

**U.S. PATENT DOCUMENTS**

D217,256 S \* 4/1970 Kahn ..... D14/230

D371,796 S \* 7/1996 Diamond ..... D14/230  
D440,960 S \* 4/2001 Barber ..... D14/230  
D481,029 S \* 10/2003 Noro ..... D14/230  
D515,075 S \* 2/2006 Kusanagi et al. .... D14/230  
D515,076 S \* 2/2006 Kusanagi et al. .... D14/230  
7,042,399 B1 \* 5/2006 Noro et al. .... 343/700 MS

\* cited by examiner

*Primary Examiner*—Robert A. Delehanty

*Assistant Examiner*—John Windmuller

(74) *Attorney, Agent, or Firm*—Sughrue Mion, PLLC

(57) **CLAIM**

The ornamental design for an antenna, as shown.

**DESCRIPTION**

FIG. 1 is a perspective view of the front, top, and right sides of an antenna showing our new design; FIG. 2 is a front elevational view thereof; FIG. 3 is a rear elevational view thereof; FIG. 4 is a top plan view thereof; FIG. 5 is a bottom plan view thereof; FIG. 6 is a right side elevational view thereof; FIG. 7 is a left side elevational view thereof; and, FIG. 8 is a perspective view of the rear, bottom, and left sides thereof.

**1 Claim, 3 Drawing Sheets**

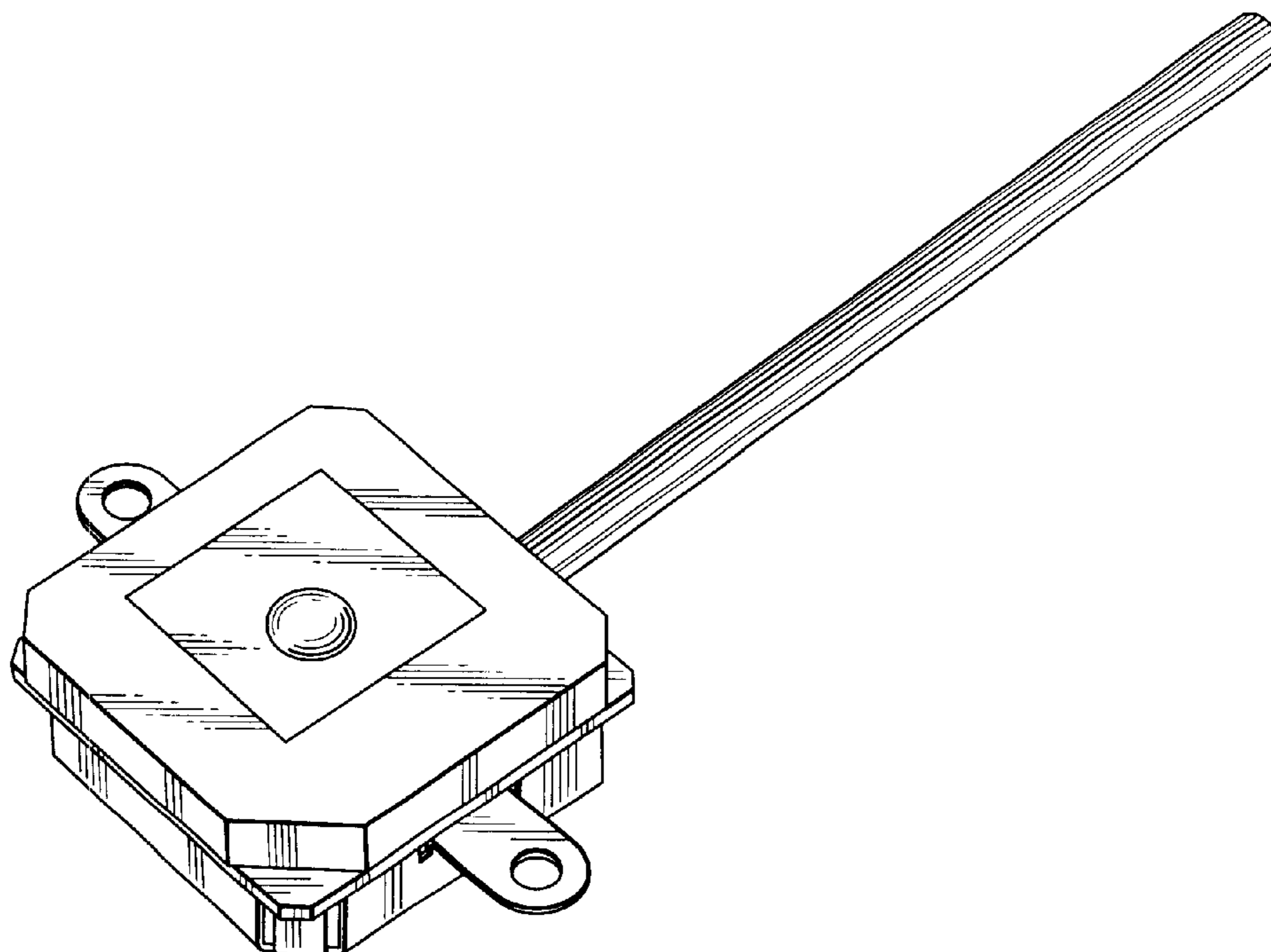


FIG.1

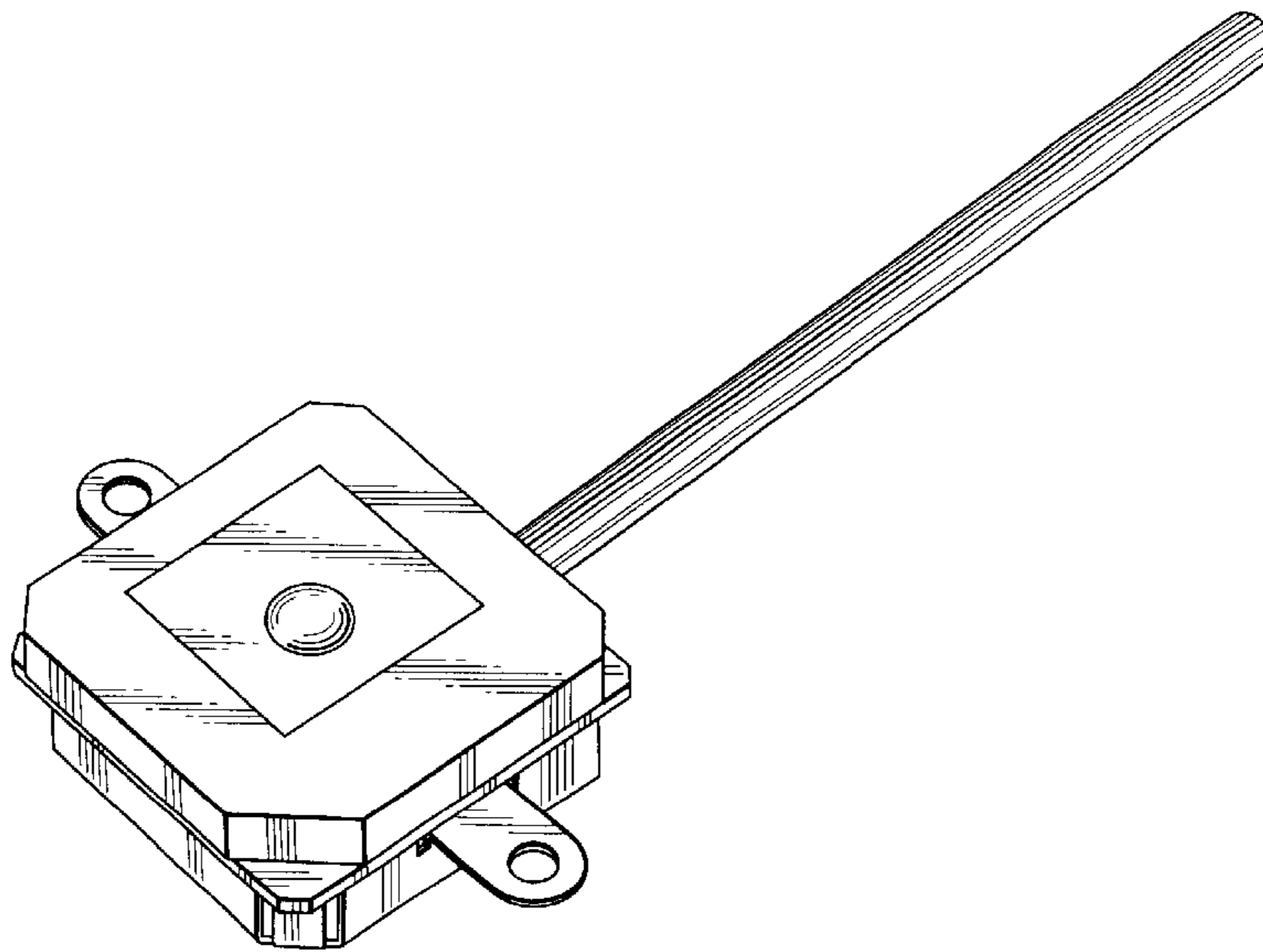


FIG.2

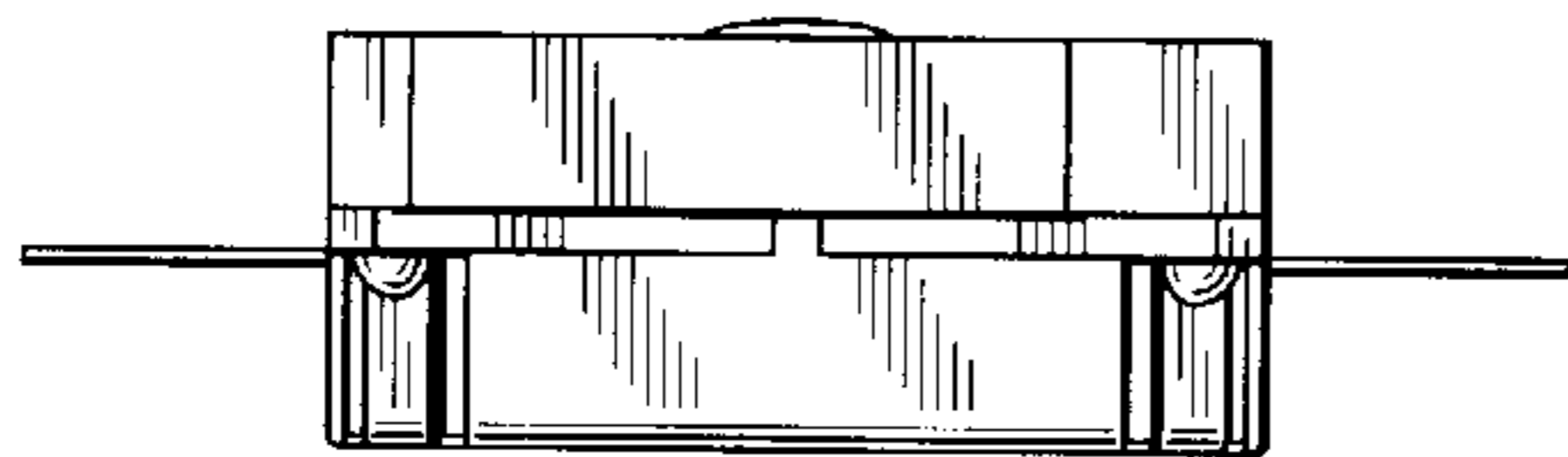


FIG.3

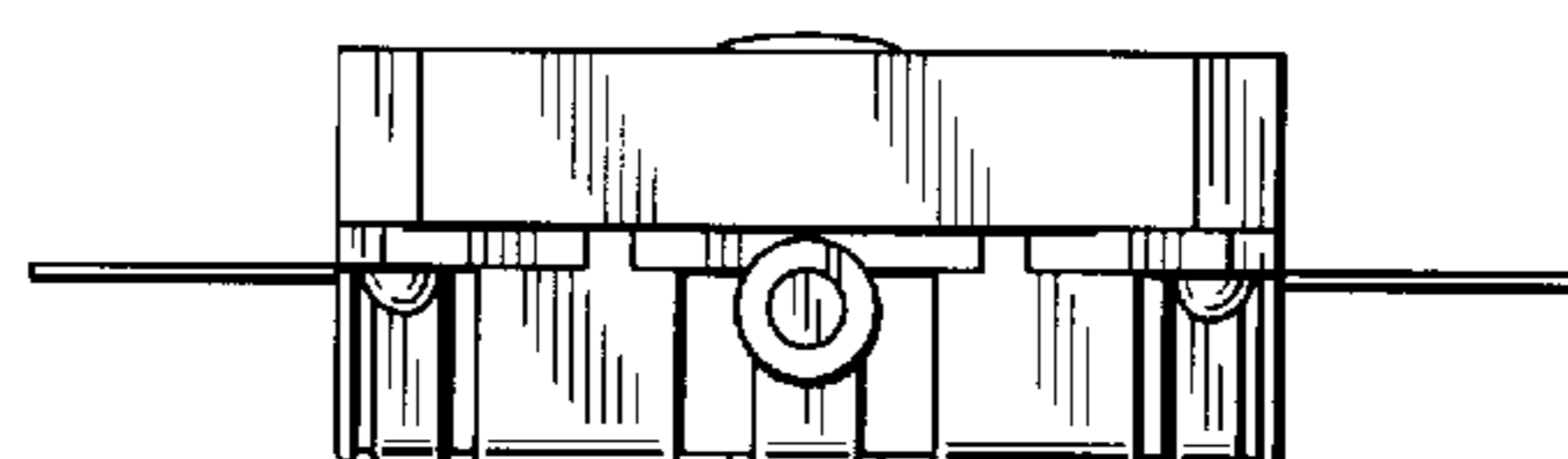


FIG.4

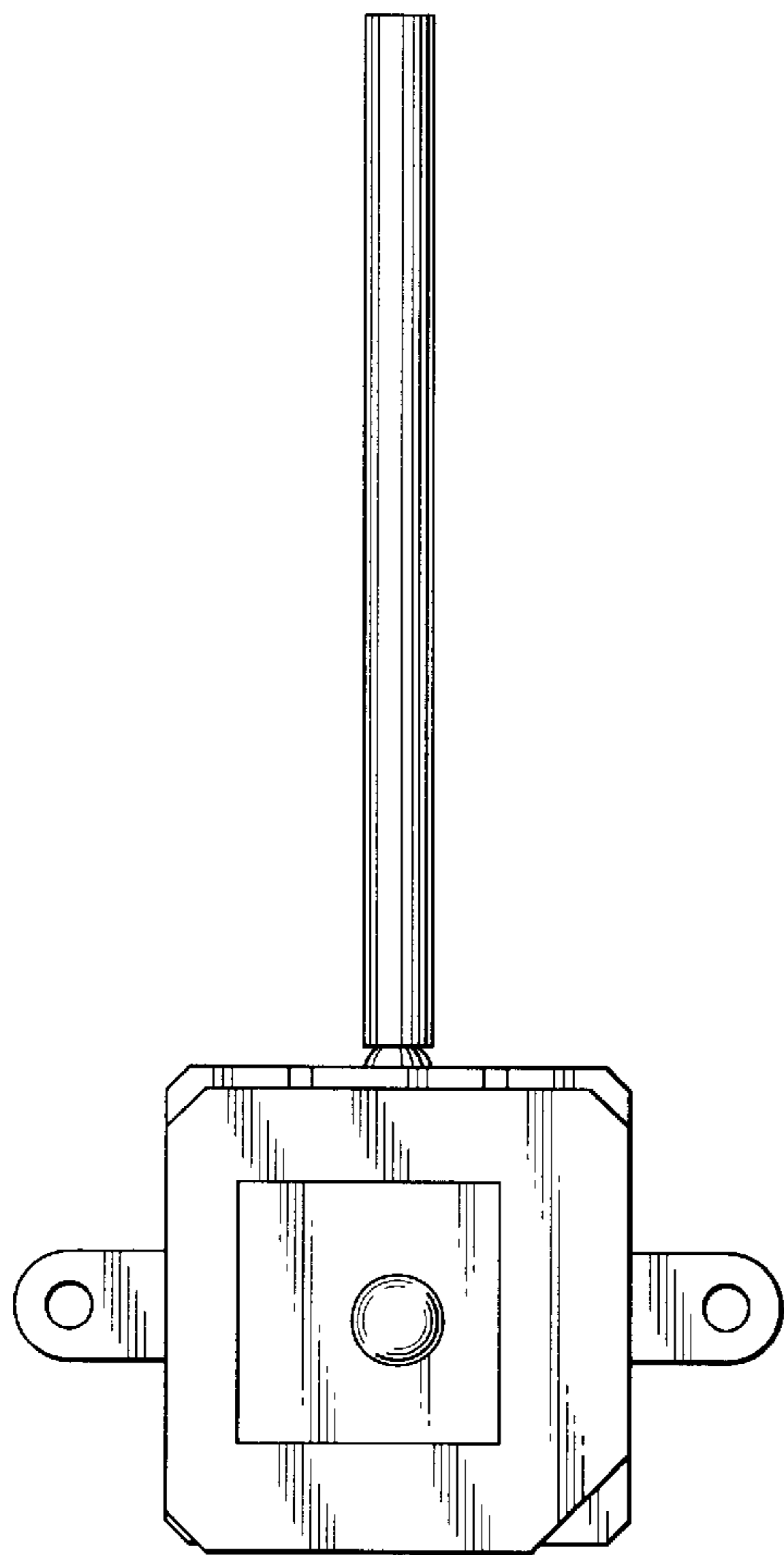


FIG.5

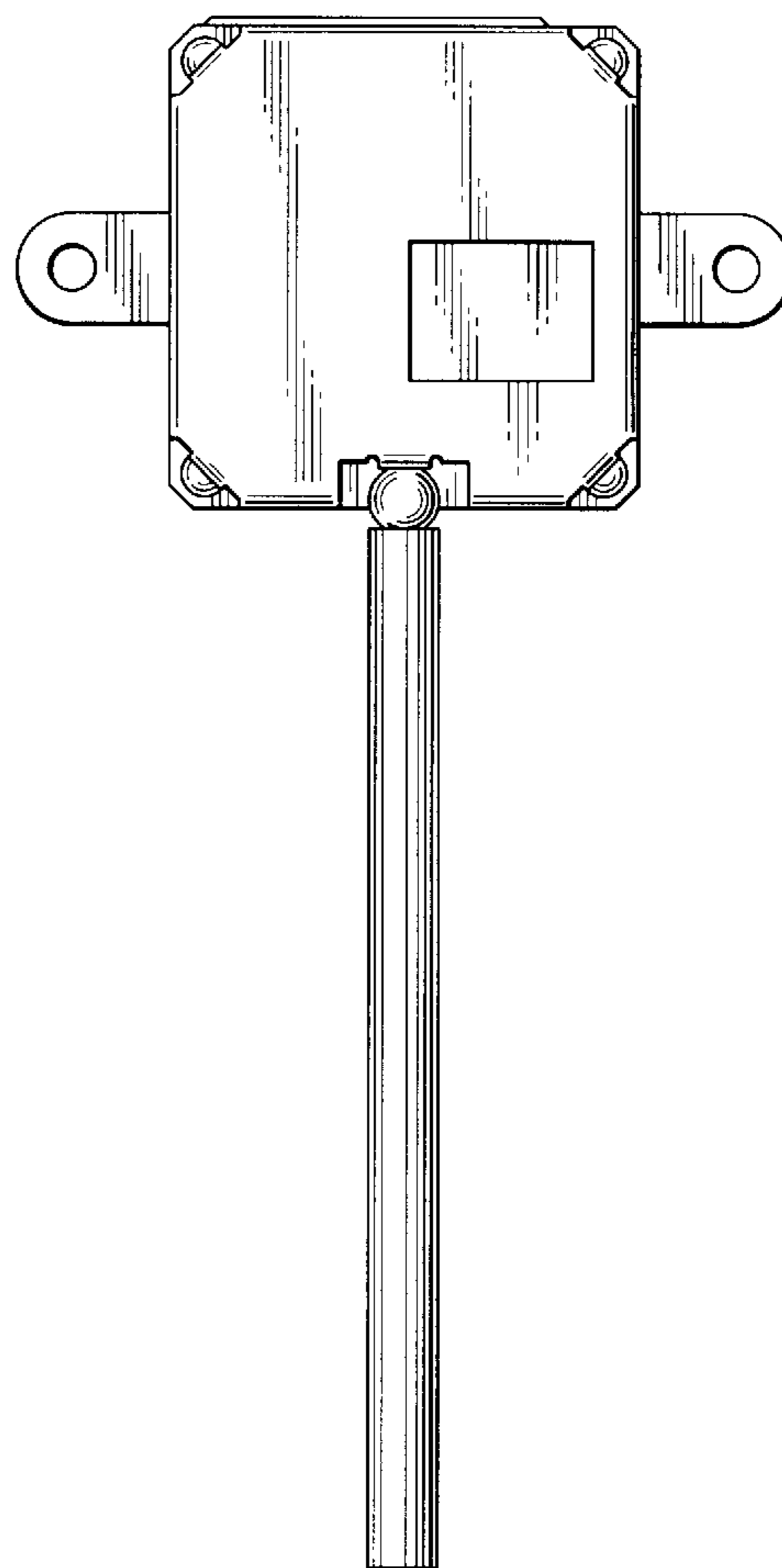


FIG.6

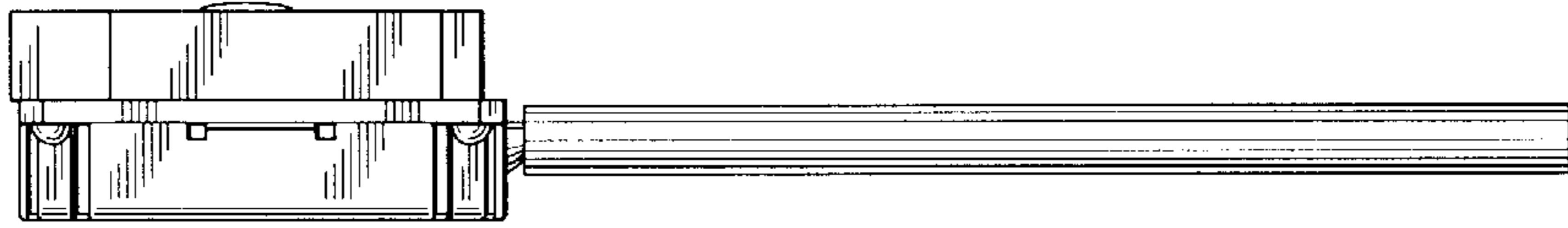


FIG.7

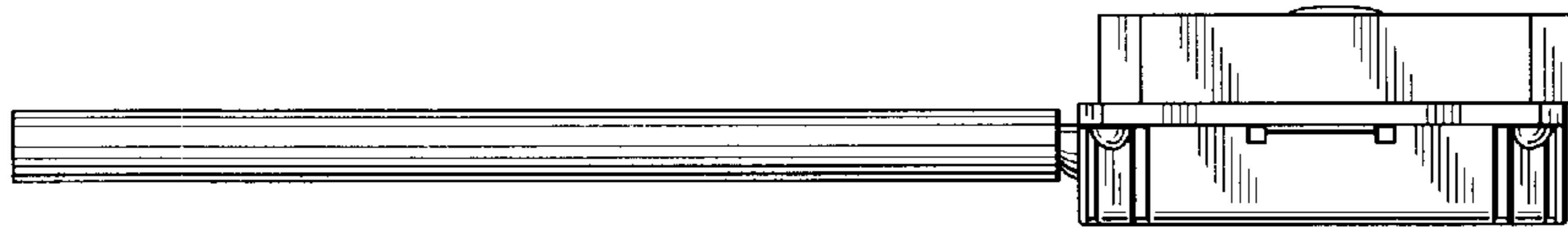


FIG.8

