

US00D531170S

(12) **United States Design Patent**
Solland

(10) **Patent No.:** **US D531,170 S**

(45) **Date of Patent:** **** Oct. 31, 2006**

(54) **PORTION OF A HEADPHONE**
(75) Inventor: **Kurt Solland**, Westlake Village, CA
(US)
(73) Assignee: **Harman International Industries,**
Incorporated, Northridge, CA (US)
(**) Term: **14 Years**

D376,598 S * 12/1996 Hayashi D14/206
D391,575 S * 3/1998 Bergin et al. D14/223
D457,874 S * 5/2002 Yoneda D14/205
D463,398 S * 9/2002 Rath D14/206
D463,791 S * 10/2002 Nagai et al. D14/223
D465,779 S 11/2002 Solland
D484,868 S * 1/2004 Suzuki D14/205
D488,461 S * 4/2004 Okada et al. D14/223

* cited by examiner

(21) Appl. No.: **29/242,173**
(22) Filed: **Nov. 7, 2005**

Primary Examiner—Paula A. Greene
(74) *Attorney, Agent, or Firm*—Plumsea Law Group, LLC

(51) **LOC (8) Cl.** **14-01**
(52) **U.S. Cl.** **D14/223**
(58) **Field of Classification Search** D14/205–206,
D14/209, 217, 222, 221, 219, 223; 2/9, 209,
2/410, 411; 181/129–130, 147; 379/430,
379/431, 444; 381/109, 336, 371, 372, 373,
381/379
See application file for complete search history.

(57) **CLAIM**

The ornamental design for a portion of a headphone, as shown and described.

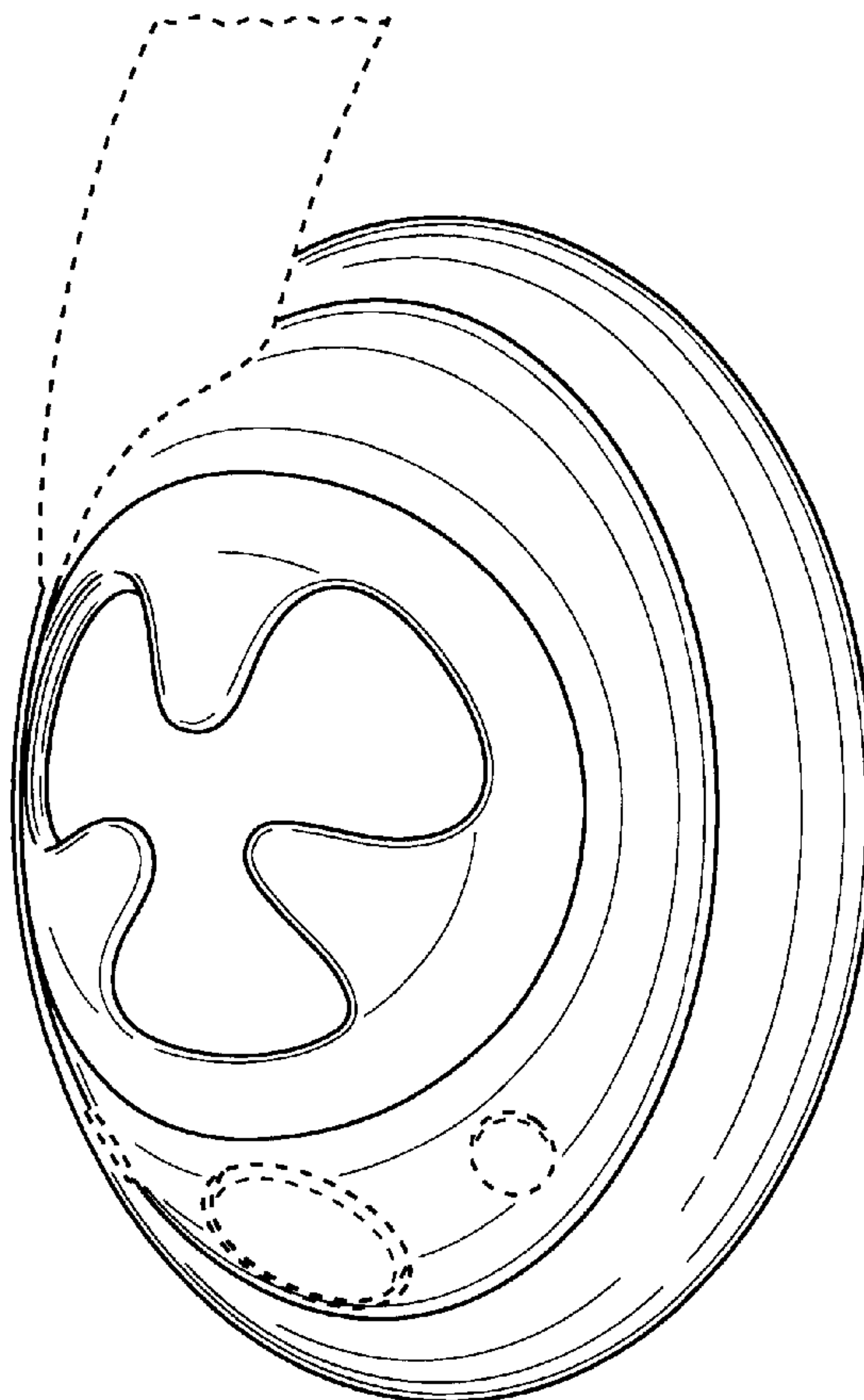
DESCRIPTION

FIG. 1 is a perspective of a portion of a headphone showing my new design;
FIG. 2 is an elevational view thereof;
FIG. 3 is a side elevational view, the opposite side being a mirror image thereof; and,
FIG. 4 is a top plan view, the bottom view being substantially a mirror image thereof.
The broken line showings of the three circles on the lower portion of the headphone and the clip are for illustrative purposes only and form no part of the claimed design.

(56) **References Cited**
U.S. PATENT DOCUMENTS

3,051,961 A * 9/1962 Clark 2/209
3,457,565 A * 7/1969 Boyer et al. 2/209
3,720,787 A * 3/1973 Ishii et al. 381/336
4,160,135 A * 7/1979 Gorike 381/373
5,023,955 A * 6/1991 Murphy et al. 2/209

1 Claim, 3 Drawing Sheets



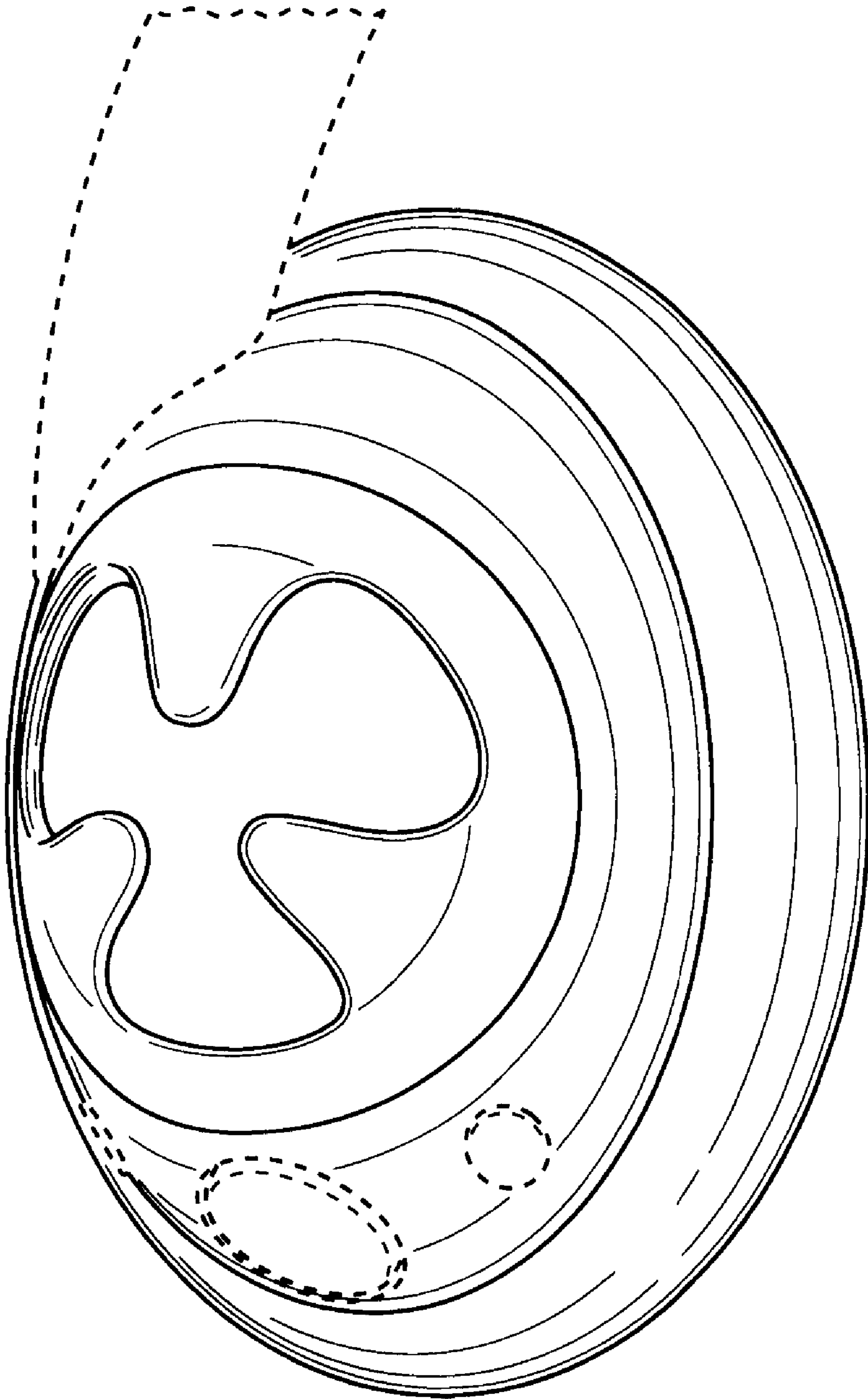


FIG. 1

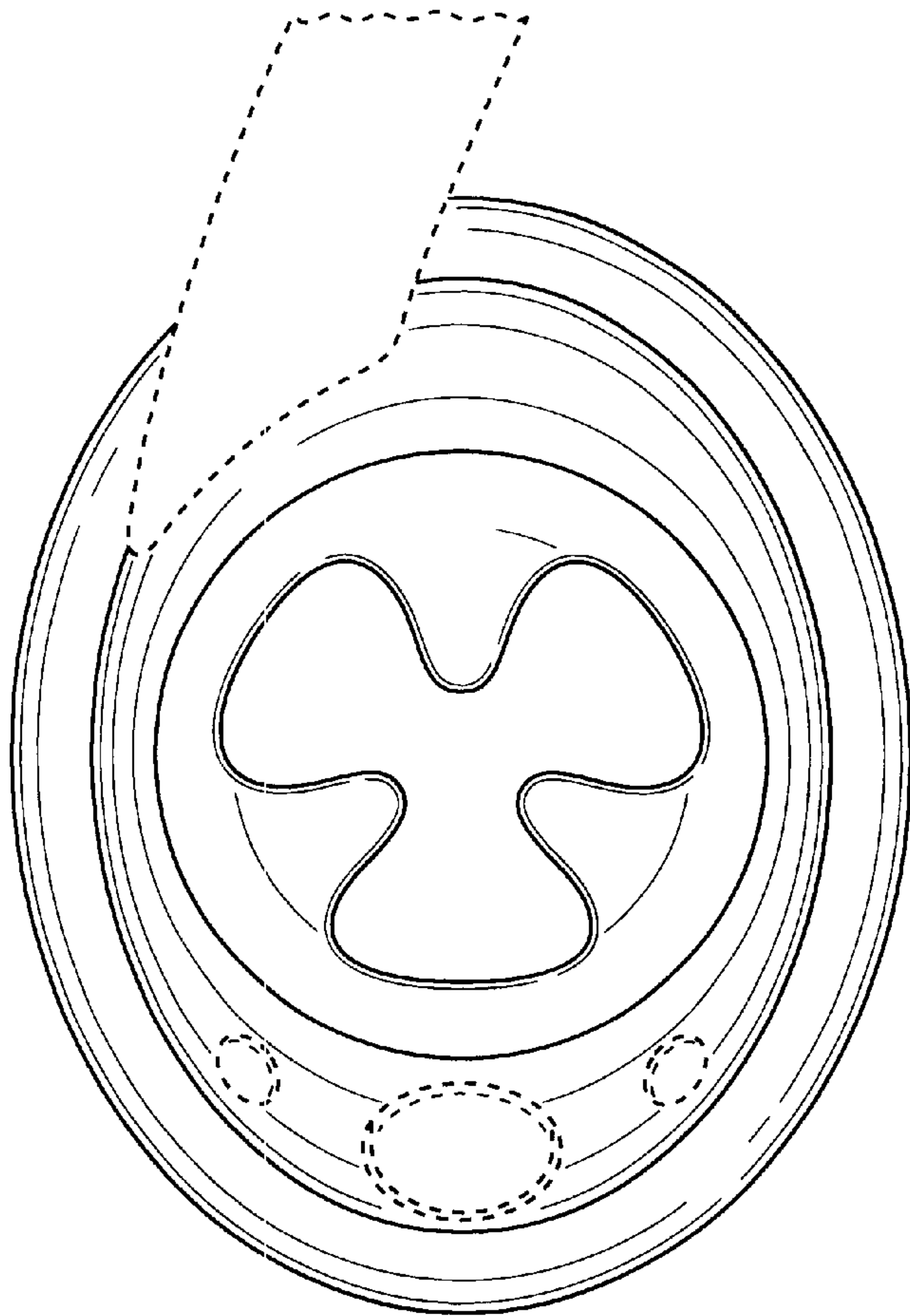


FIG. 2

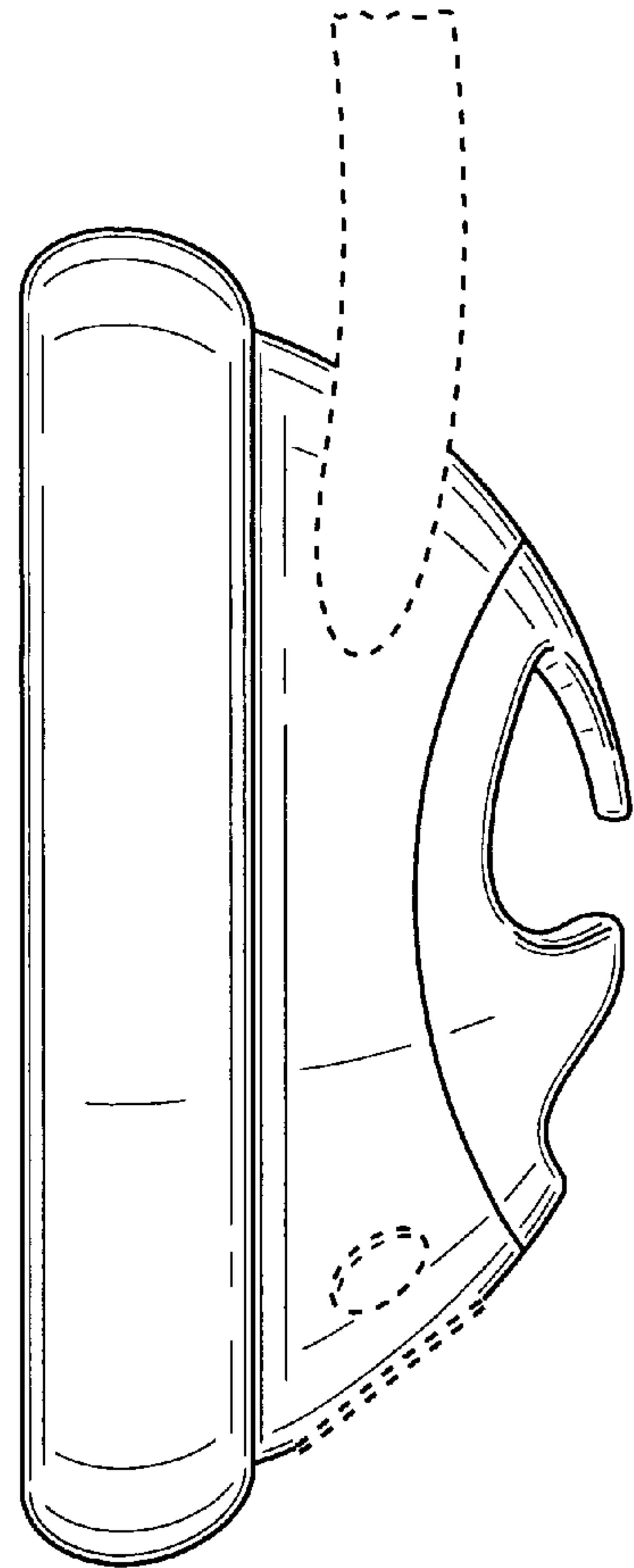


FIG. 3

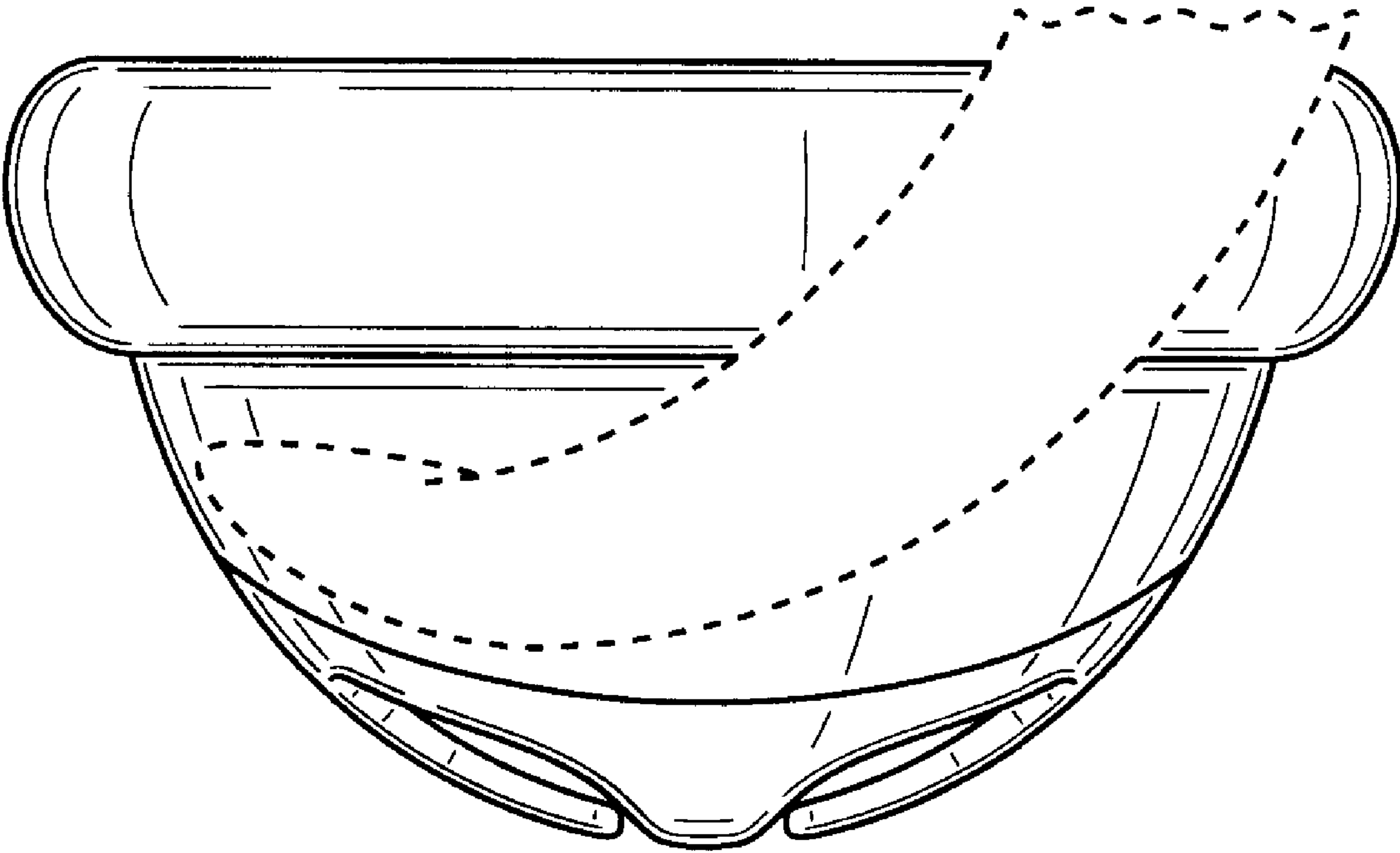


FIG. 4