



US00D531169S

(12) **United States Design Patent**  
**Tokioka et al.**

(10) **Patent No.:** **US D531,169 S**  
(45) **Date of Patent:** **\*\* Oct. 31, 2006**

(54) **EARPHONE**

D495,684 S 9/2004 Hirano  
D495,685 S 9/2004 Hirano

(75) Inventors: **Eigo Tokioka**, Nishinomiya (JP);  
**Toshio Kiuchi**, Toyonaka (JP)

FOREIGN PATENT DOCUMENTS

(73) Assignee: **Matsushita Electric Industrial Co., Ltd.**, Osaka (JP)

JP	D742466	9/1988
JP	D742470	9/1988
JP	D742471	9/1988
JP	D758043	3/1989
JP	D1057366	1/2000
JP	D1070561	5/2000
JP	D1124104	10/2001
JP	D1149790	8/2002
JP	D1231631	2/2005
JP	D1231632	2/2005
JP	D1232435	3/2005
JP	D1247836	8/2005

(\*\*) Term: **14 Years**

(21) Appl. No.: **29/241,510**

(22) Filed: **Oct. 28, 2005**

(30) **Foreign Application Priority Data**

May 18, 2005 (JP) ..... 2005-014215

(51) **LOC (8) Cl.** ..... **14-01**

(52) **U.S. Cl.** ..... **D14/223**

(58) **Field of Classification Search** ..... D14/142,  
D14/188, 192, 205, 249, 206, 223; D24/174;  
181/129, 130, 135, 137; 379/430; 381/380,  
381/373, 186, 375

See application file for complete search history.

\* cited by examiner

*Primary Examiner*—Paula A. Greene

(74) *Attorney, Agent, or Firm*—Brinks Hofer Gilson & Lione

(57) **CLAIM**

We claim the ornamental design for an earphone, as shown and described.

(56) **References Cited**

U.S. PATENT DOCUMENTS

3,712,409	A *	1/1973	Kizakisz et al.	181/137
4,720,857	A *	1/1988	Burris et al.	379/430
4,981,194	A *	1/1991	Kamon et al.	181/129
D337,589	S *	7/1993	Wada	D14/223
D357,921	S *	5/1995	Ming-Chin	D14/223
D382,874	S *	8/1997	Peschke et al.	D14/142
6,084,976	A *	7/2000	Lin	381/380
D430,146	S *	8/2000	Lin	D14/223
D443,261	S	6/2001	Yuyama	
D463,789	S *	10/2002	DeKalb et al.	D14/223
D477,821	S *	7/2003	Bieltvedt et al.	D14/206
6,704,429	B1 *	3/2004	Lin	381/380

**DESCRIPTION**

FIG. 1 is a top perspective view of an earphone of the present invention;

FIG. 2 is a front view thereof;

FIG. 3 is a first side view thereof;

FIG. 4 is a top view thereof;

FIG. 5 is a second side view thereof;

FIG. 6 is a bottom view thereof; and,

FIG. 7 is a rear view thereof.

The broken lines are for illustrative purposes only and forms no part of the claimed design.

**1 Claim, 4 Drawing Sheets**

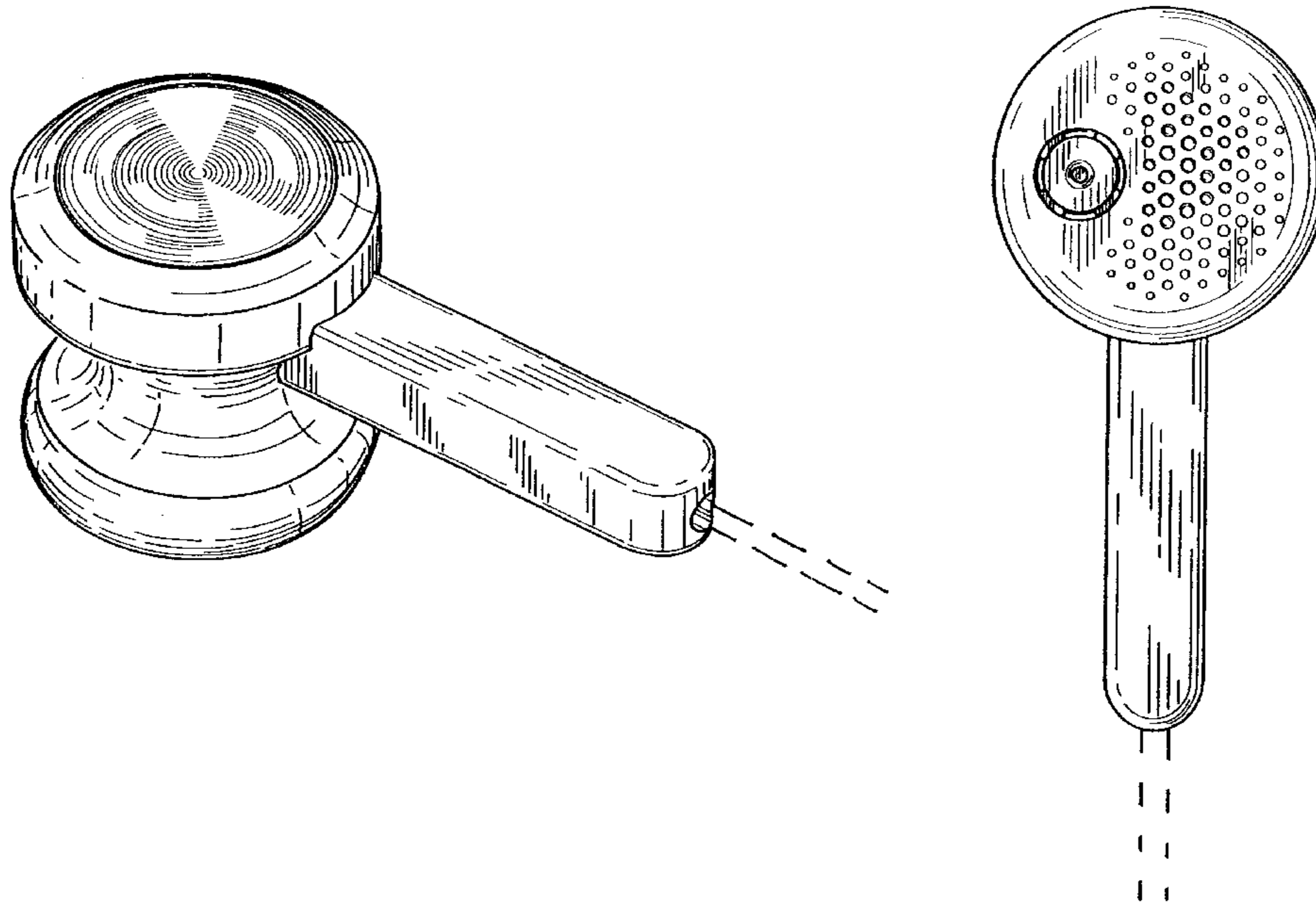


FIG. 1

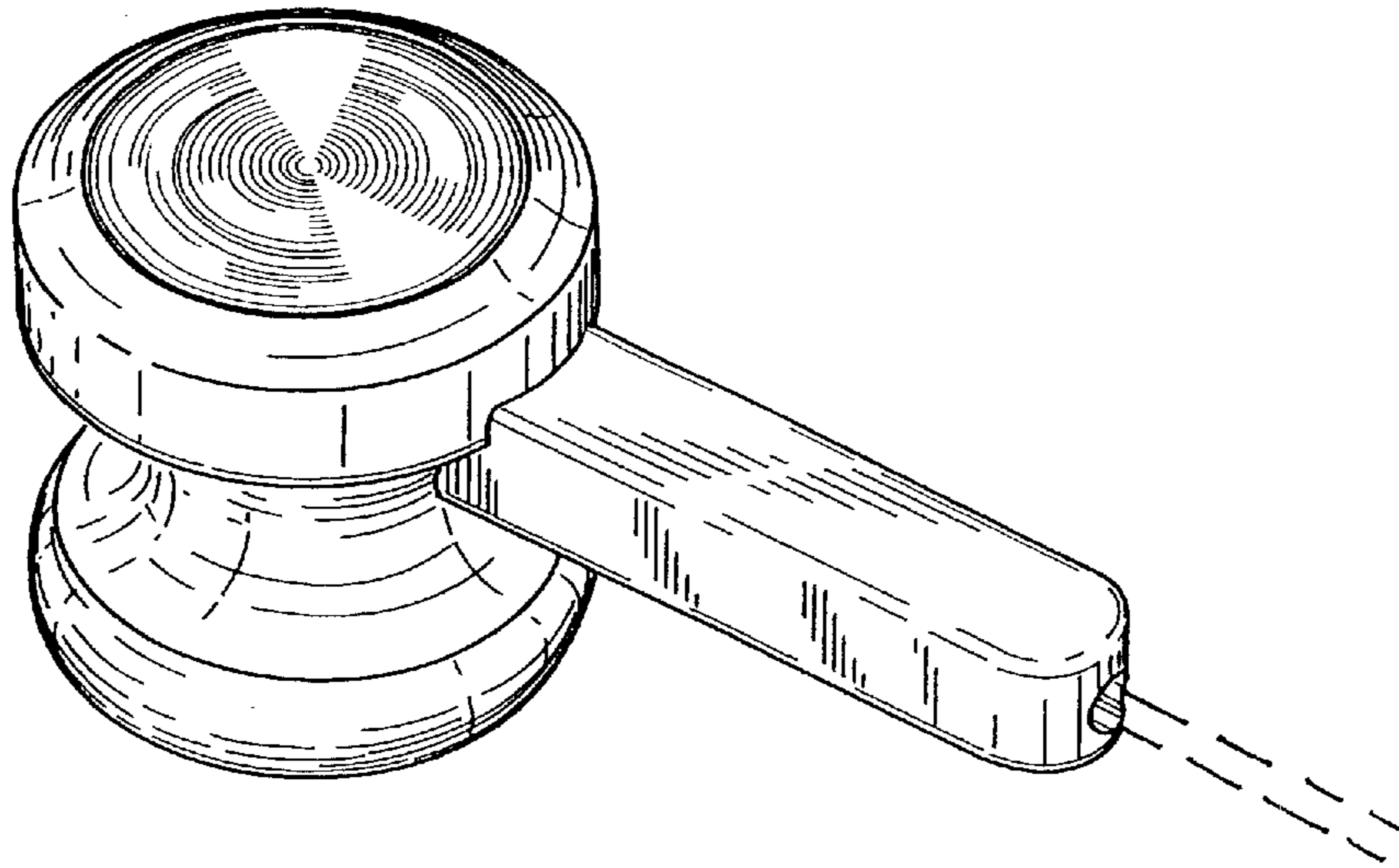


FIG. 2

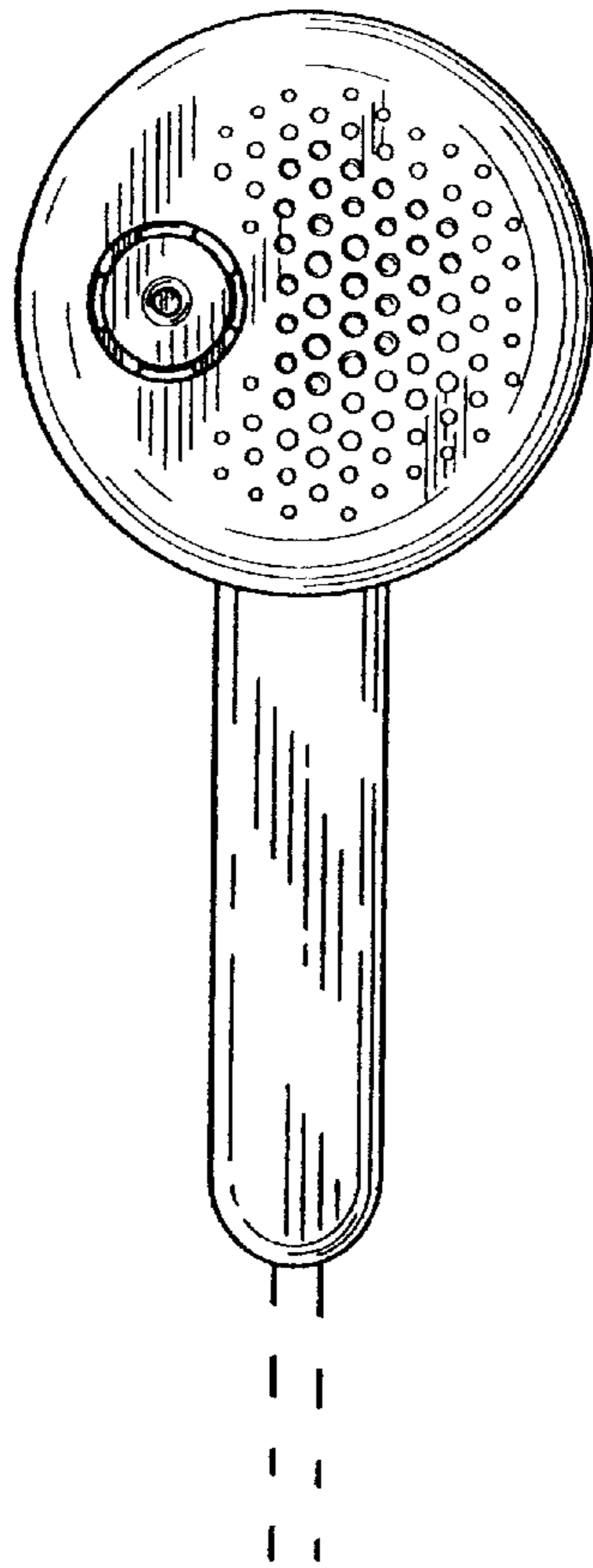


FIG.3

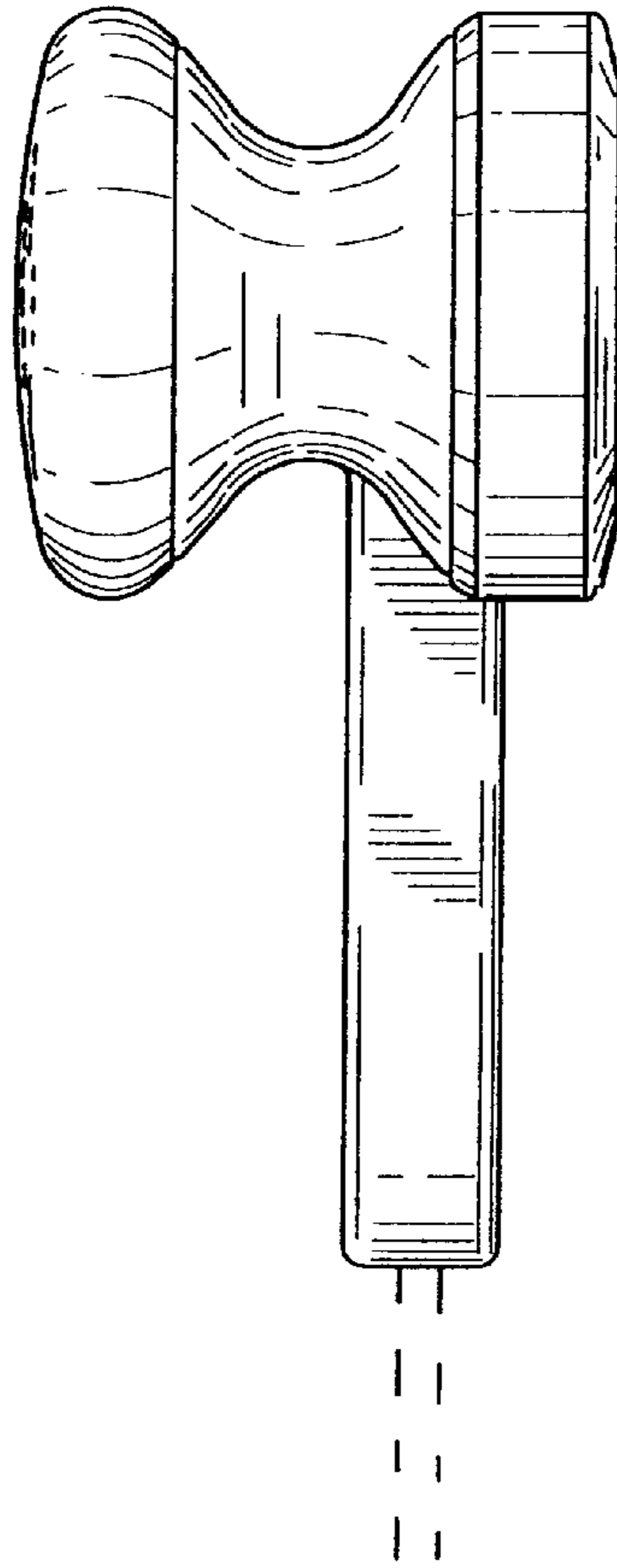


FIG.4

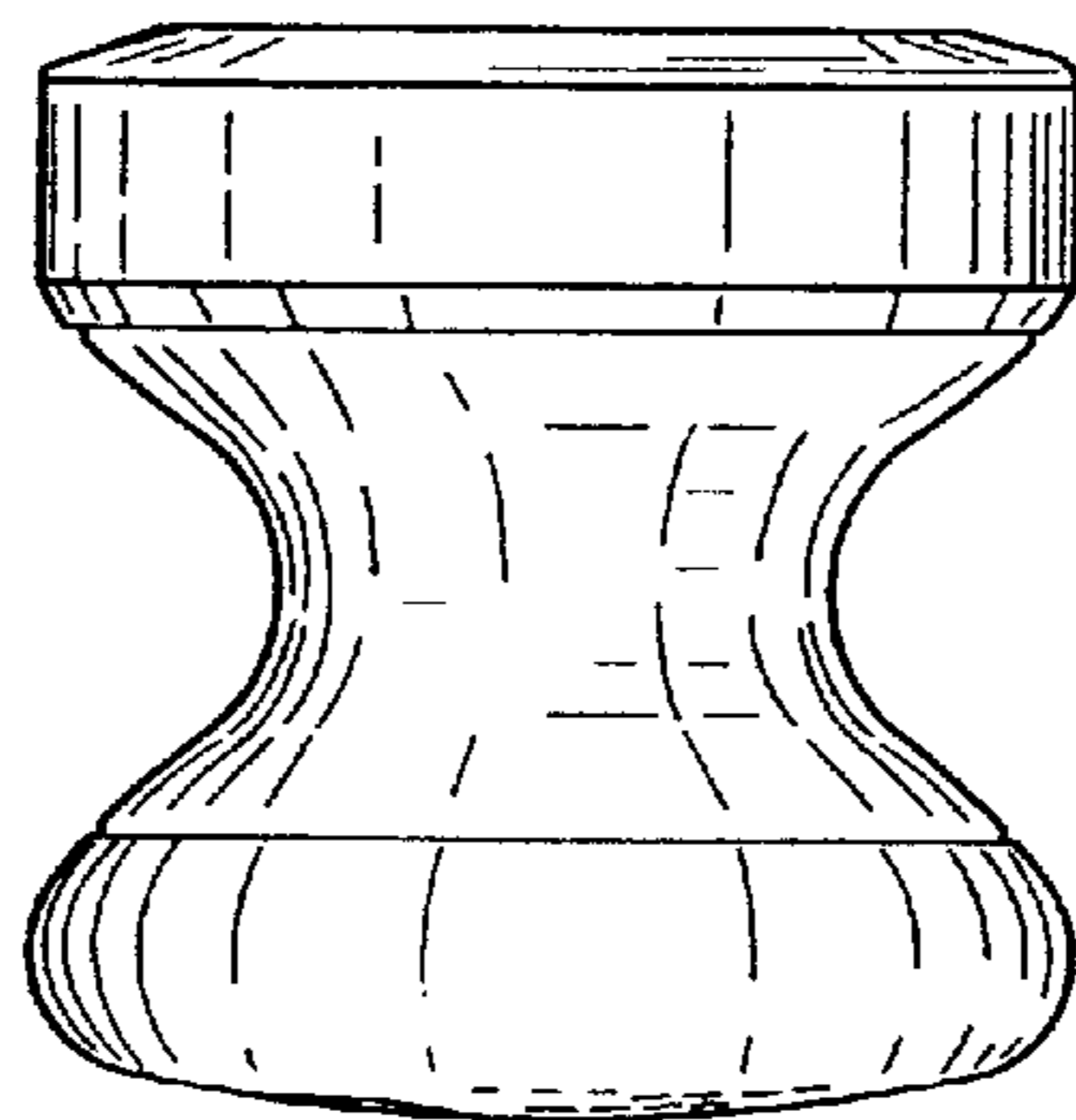


FIG.5

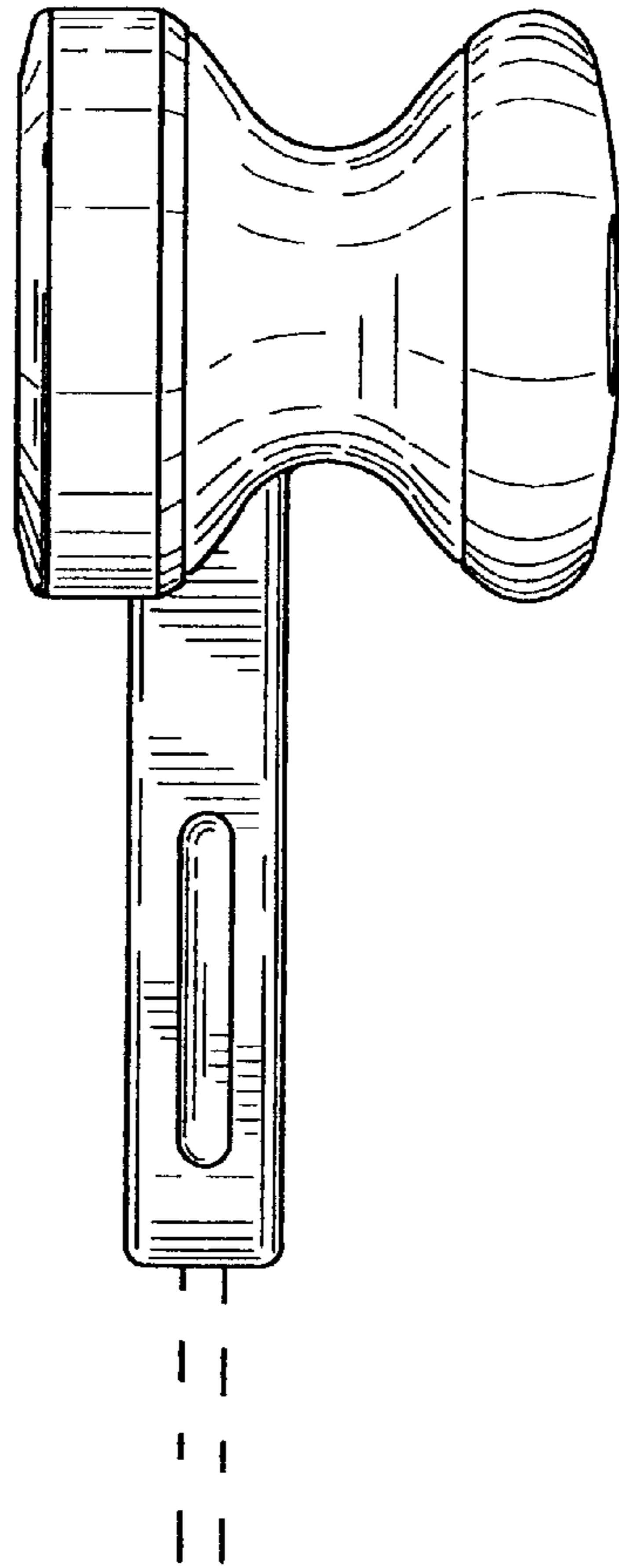
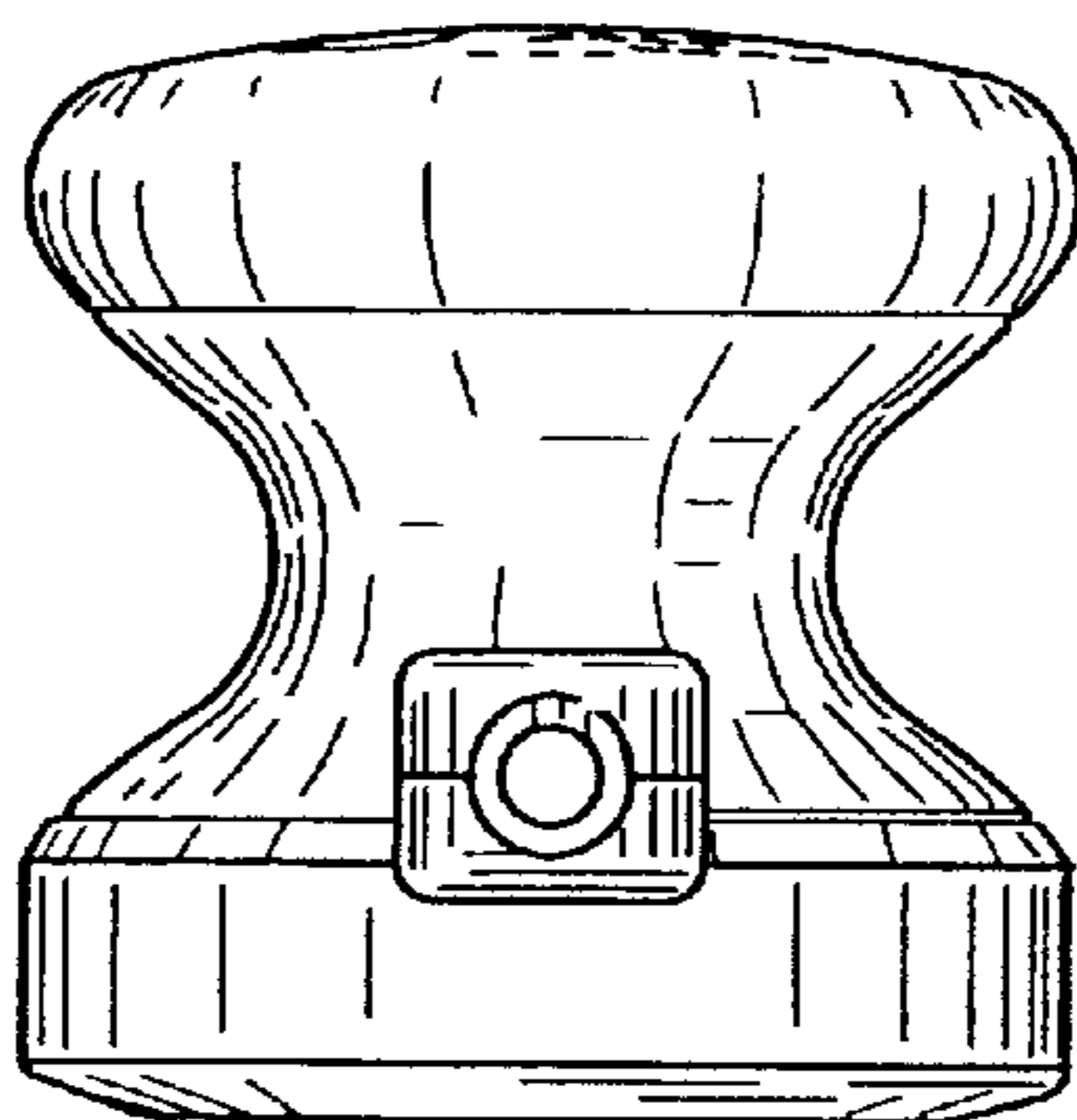


FIG.6



*FIG. 7*

