



US00D531167S

(12) **United States Design Patent**  
**Harries**

(10) **Patent No.:** **US D531,167 S**  
(45) **Date of Patent:** **\*\* Oct. 31, 2006**

(54) **LOUDSPEAKER**  
(75) Inventor: **Peter Harries**, Cambridge (GB)  
(73) Assignee: **IAG Macao Commercial Offshore Limited**, Macau (CN)  
(\*\*) Term: **14 Years**

(21) Appl. No.: **29/221,384**  
(22) Filed: **Jan. 14, 2005**

(51) **LOC (8) Cl.** ..... **14-01**  
(52) **U.S. Cl.** ..... **D14/215**  
(58) **Field of Classification Search** ..... D14/204,  
D14/207, 209–216, 356; 181/143–144, 147–148,  
181/150, 157, 198–199, 151, 153; 381/300–302,  
381/306, 333, 345, 361–364, 386–388, 332,  
381/336

See application file for complete search history.

(56) **References Cited**

**U.S. PATENT DOCUMENTS**

D182,794 S \* 5/1958 Eames ..... D14/214  
D199,676 S \* 12/1964 Reed ..... D14/215  
3,194,340 A \* 7/1965 Kuwayama ..... 381/346  
D404,036 S \* 1/1999 Shin et al. .... D14/211  
D449,036 S \* 10/2001 Weikel et al. .... D14/215

D500,305 S \* 12/2004 Lin et al. .... D14/215

\* cited by examiner

*Primary Examiner*—Nanda Bondade  
(74) *Attorney, Agent, or Firm*—RatnerPrestia

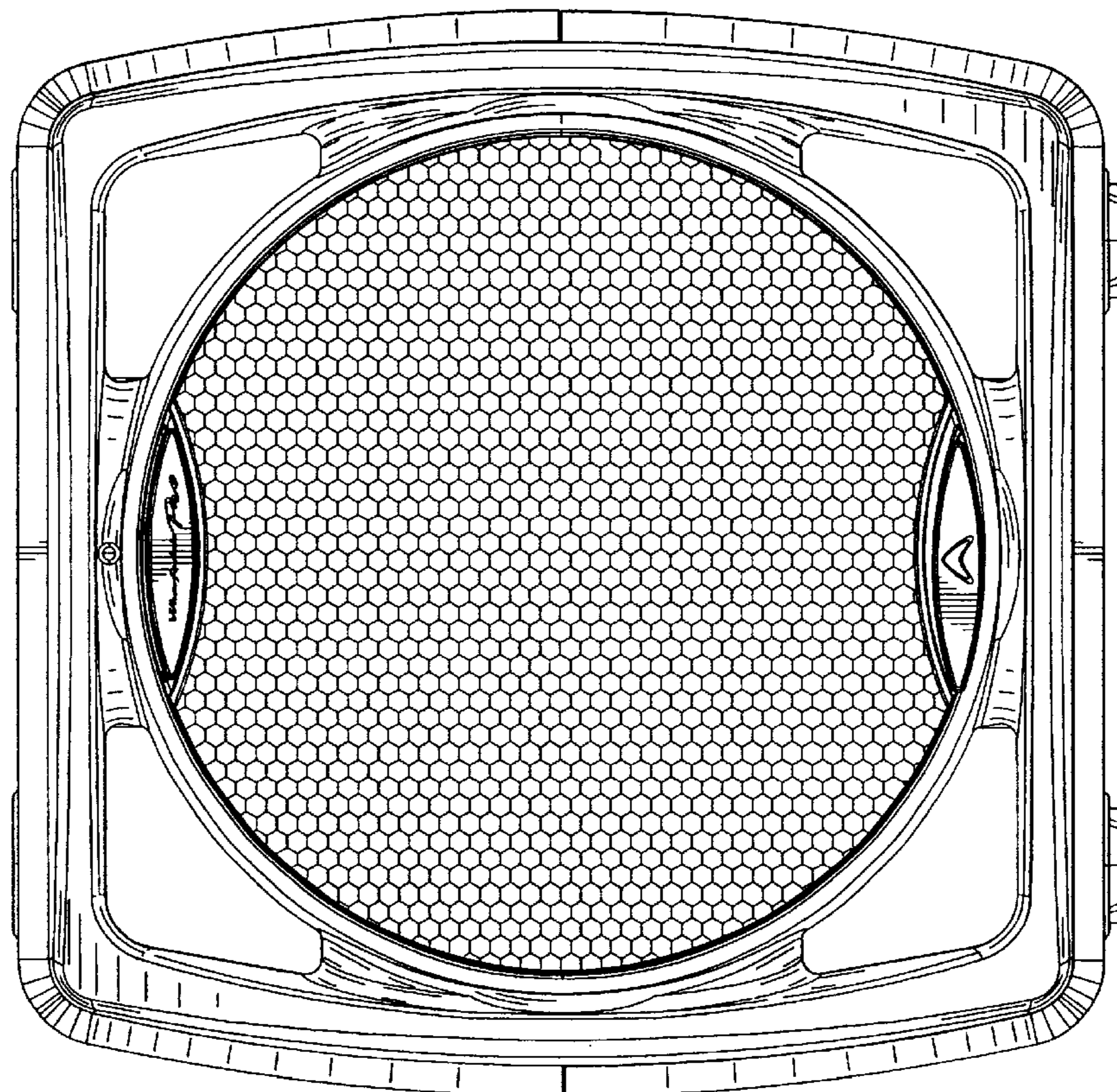
(57) **CLAIM**

The ornamental design for a loudspeaker, as shown and described.

**DESCRIPTION**

FIG. 1 is a front view of a loudspeaker showing my new design;  
FIG. 2 is a rear elevational view thereof;  
FIG. 3 is a first side view thereof;  
FIG. 4 is a second side view thereof;  
FIG. 5 is a bottom view thereof;  
FIG. 6 is a top view thereof;  
FIG. 7 is a perspective view thereof;  
FIG. 8 is a front view of a second embodiment of FIG. 1;  
FIG. 9 is a rear elevational view of FIG. 8;  
FIG. 10 is a first side view of FIG. 8;  
FIG. 11 is a second side view of FIG. 8;  
FIG. 12 is a bottom view of FIG. 8;  
FIG. 13 is a top view of FIG. 8; and,  
FIG. 14 is a perspective view of FIG. 8.

**1 Claim, 14 Drawing Sheets**



**FIG. 1**

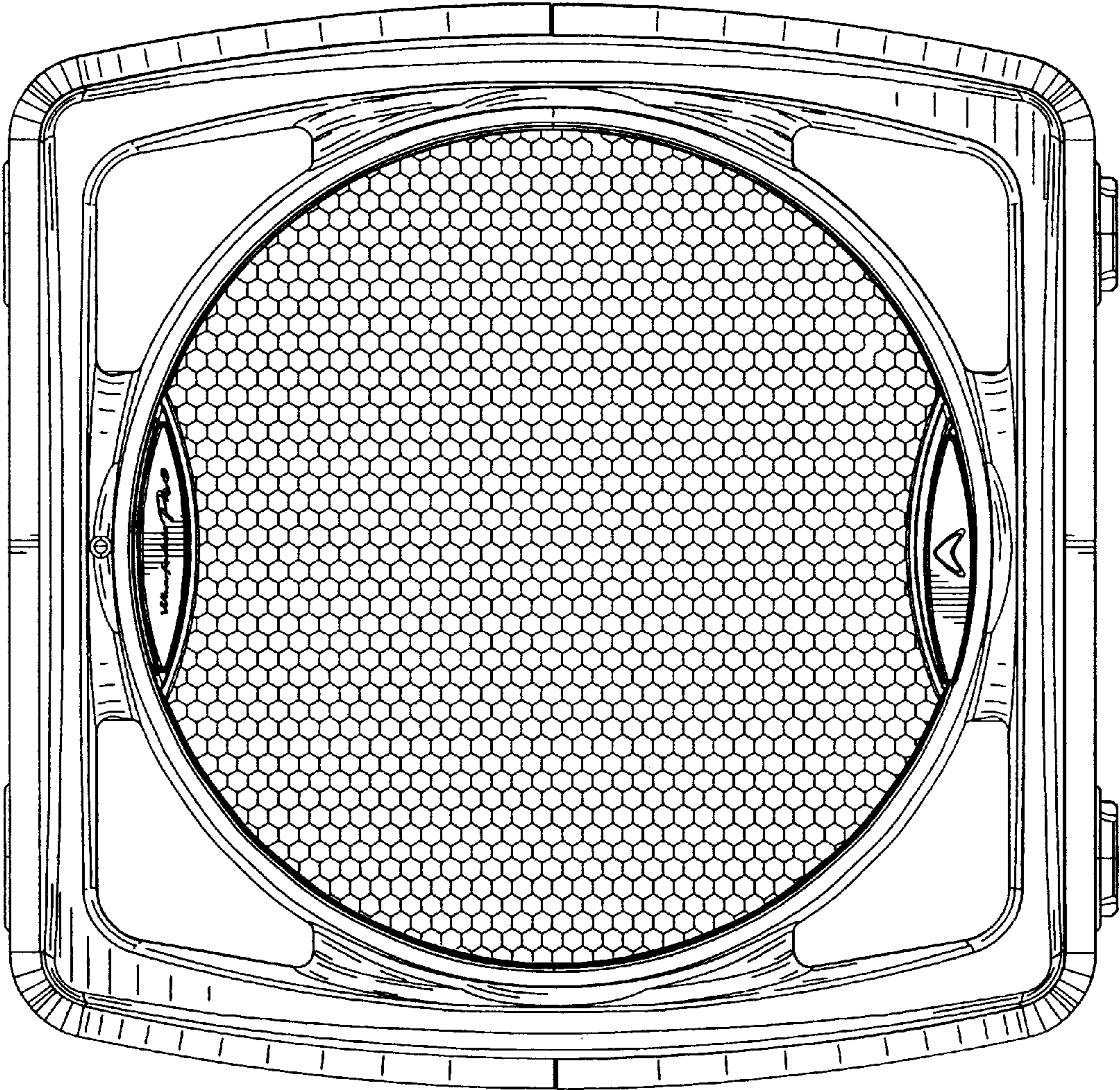
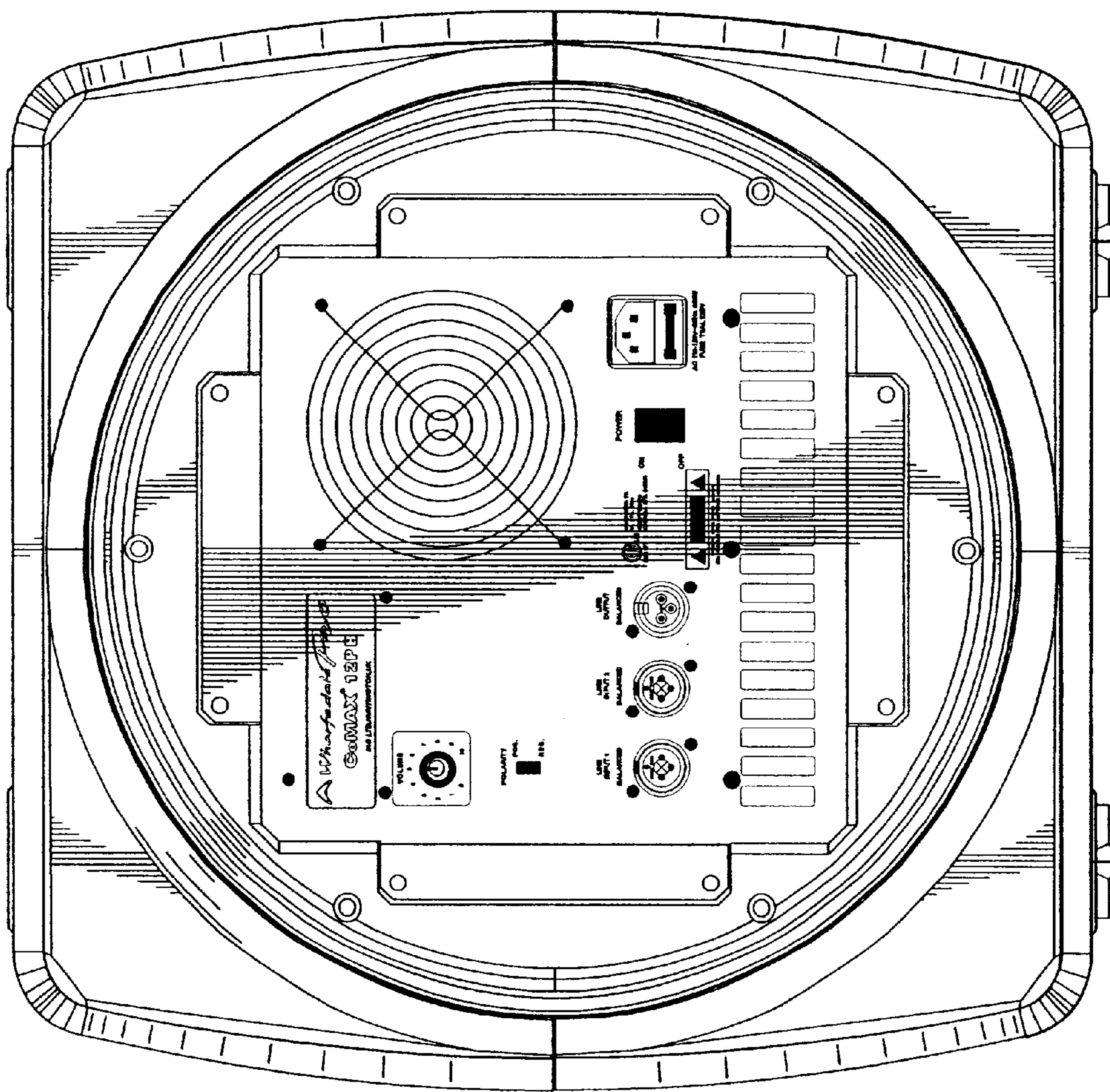


FIG. 2



**FIG. 3**

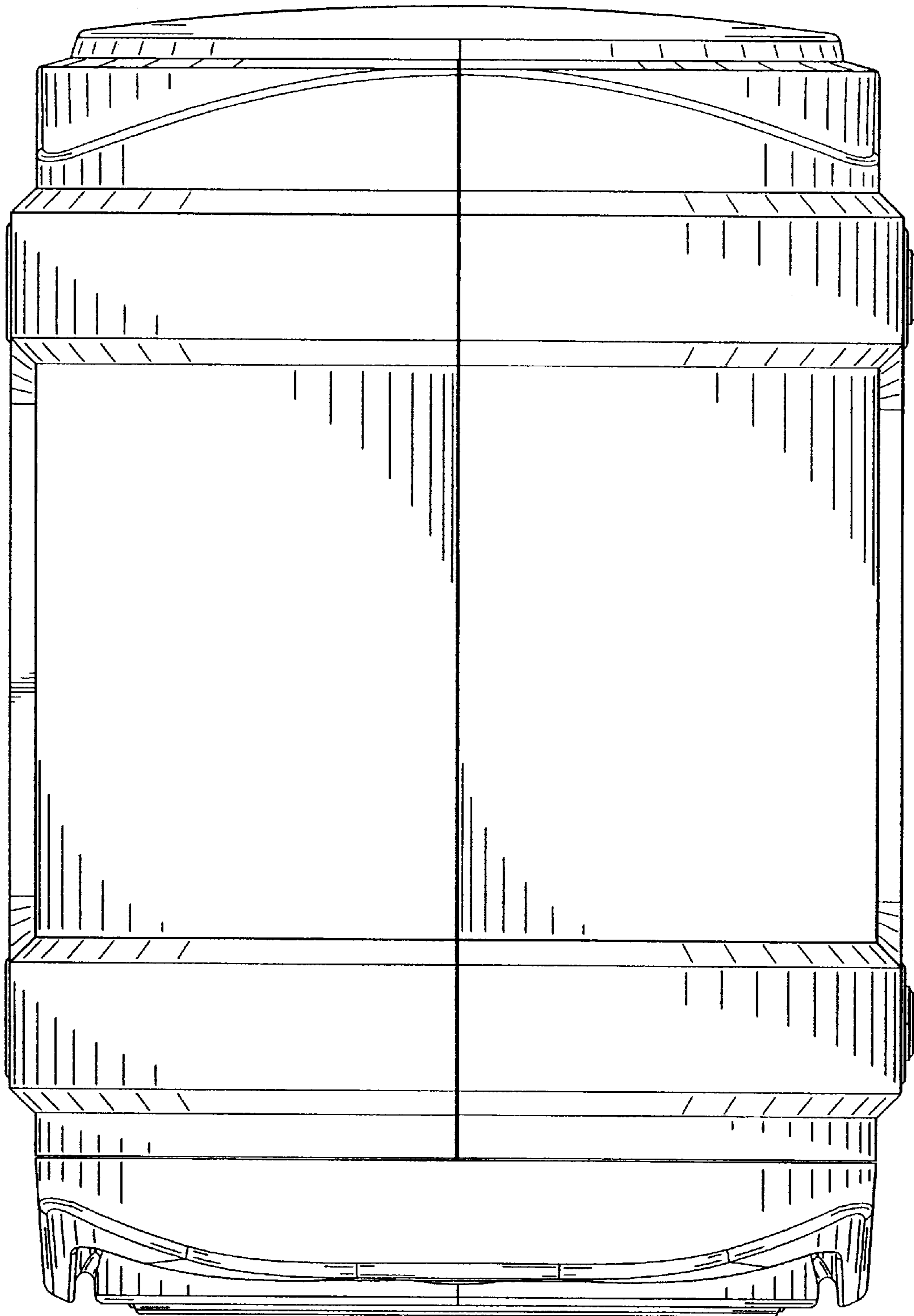
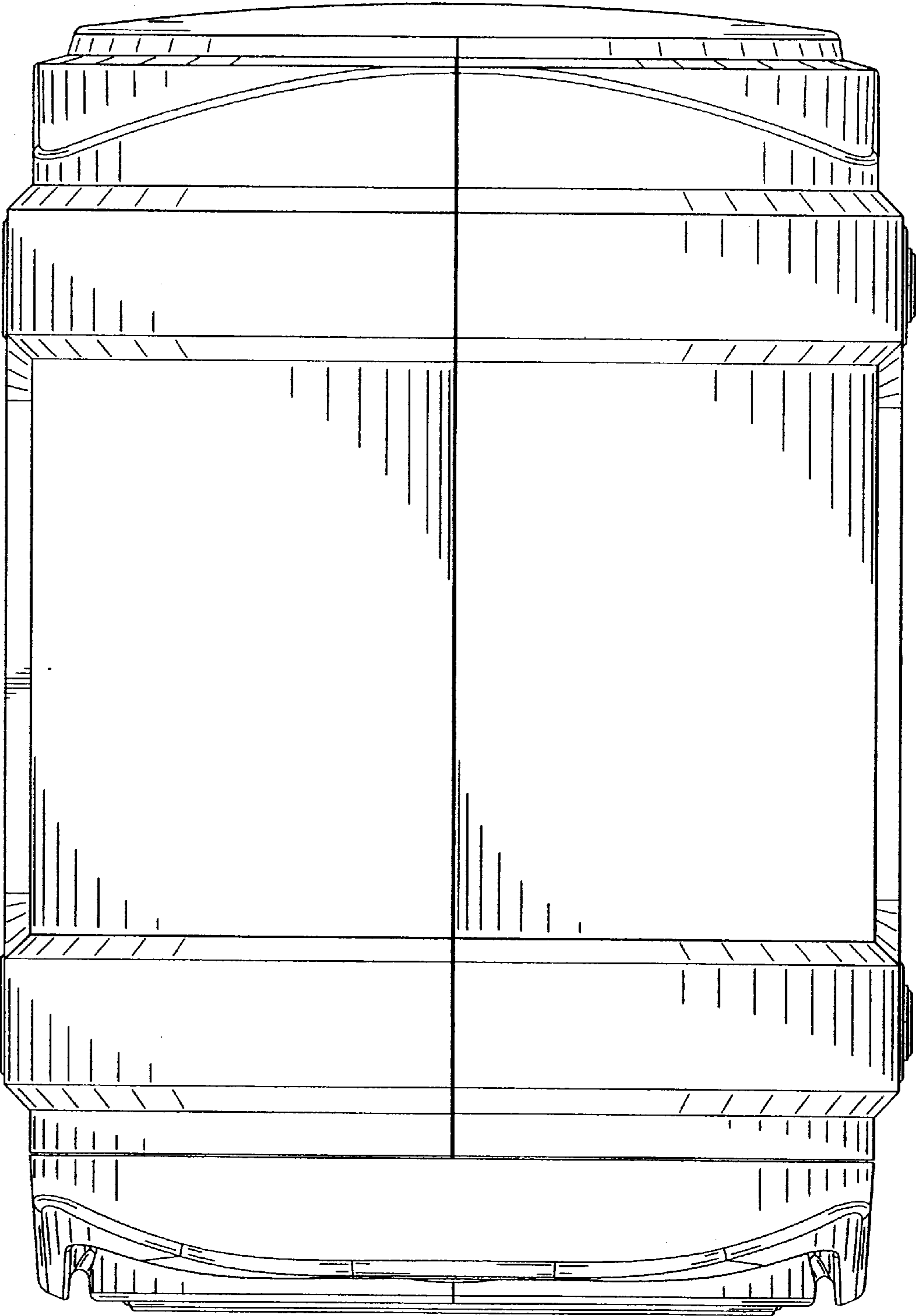


FIG. 4



**FIG. 5**

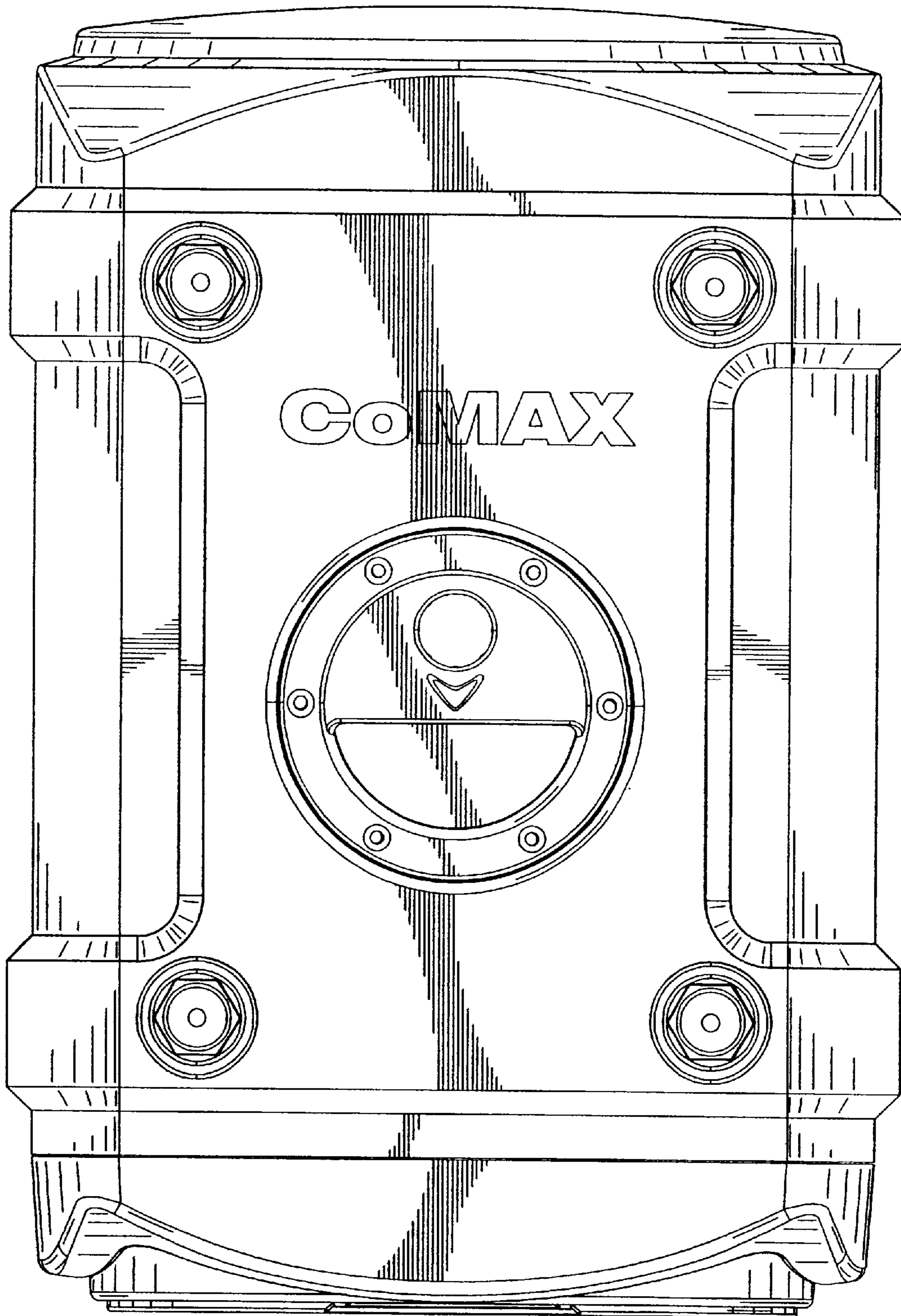


FIG. 6

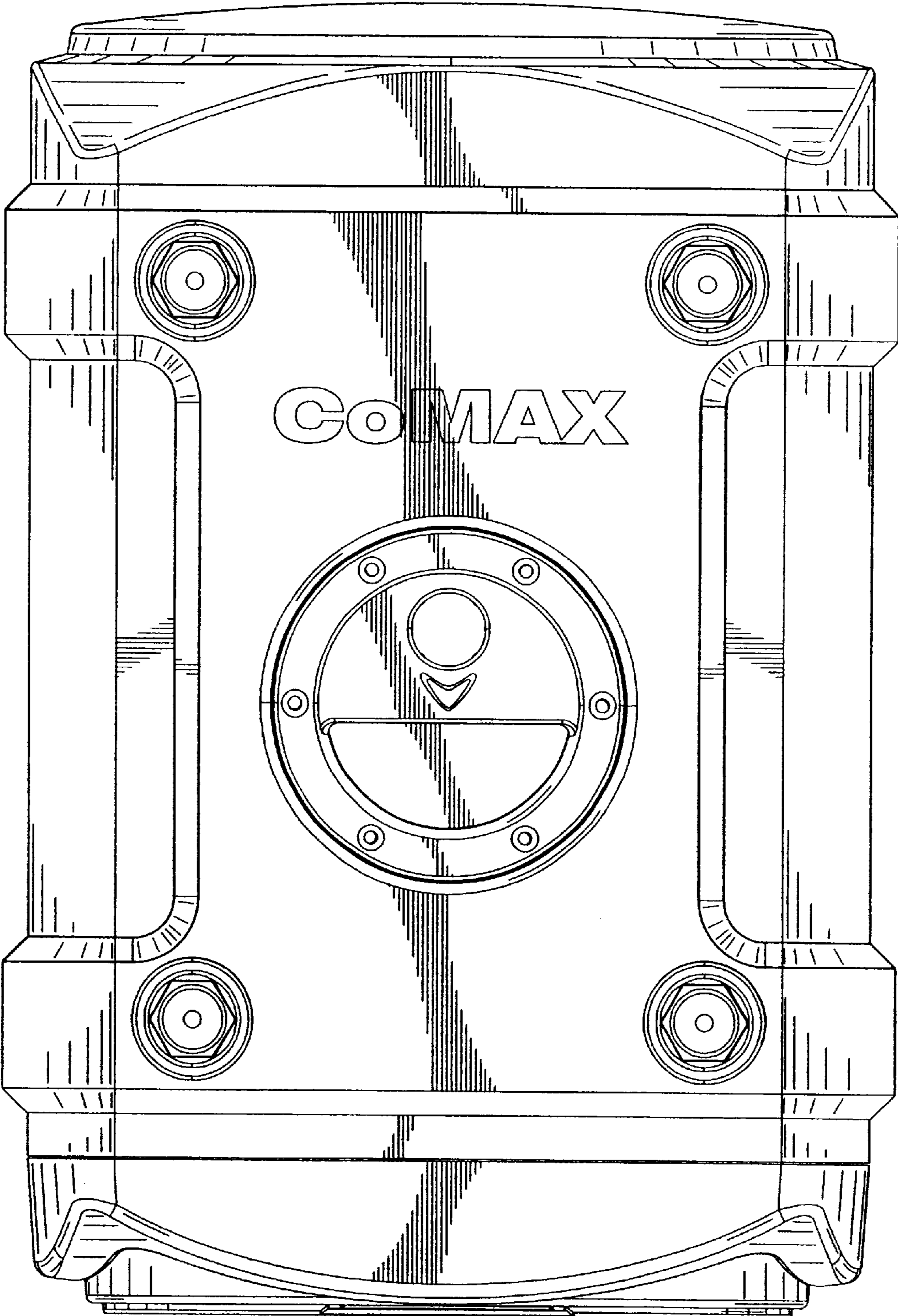
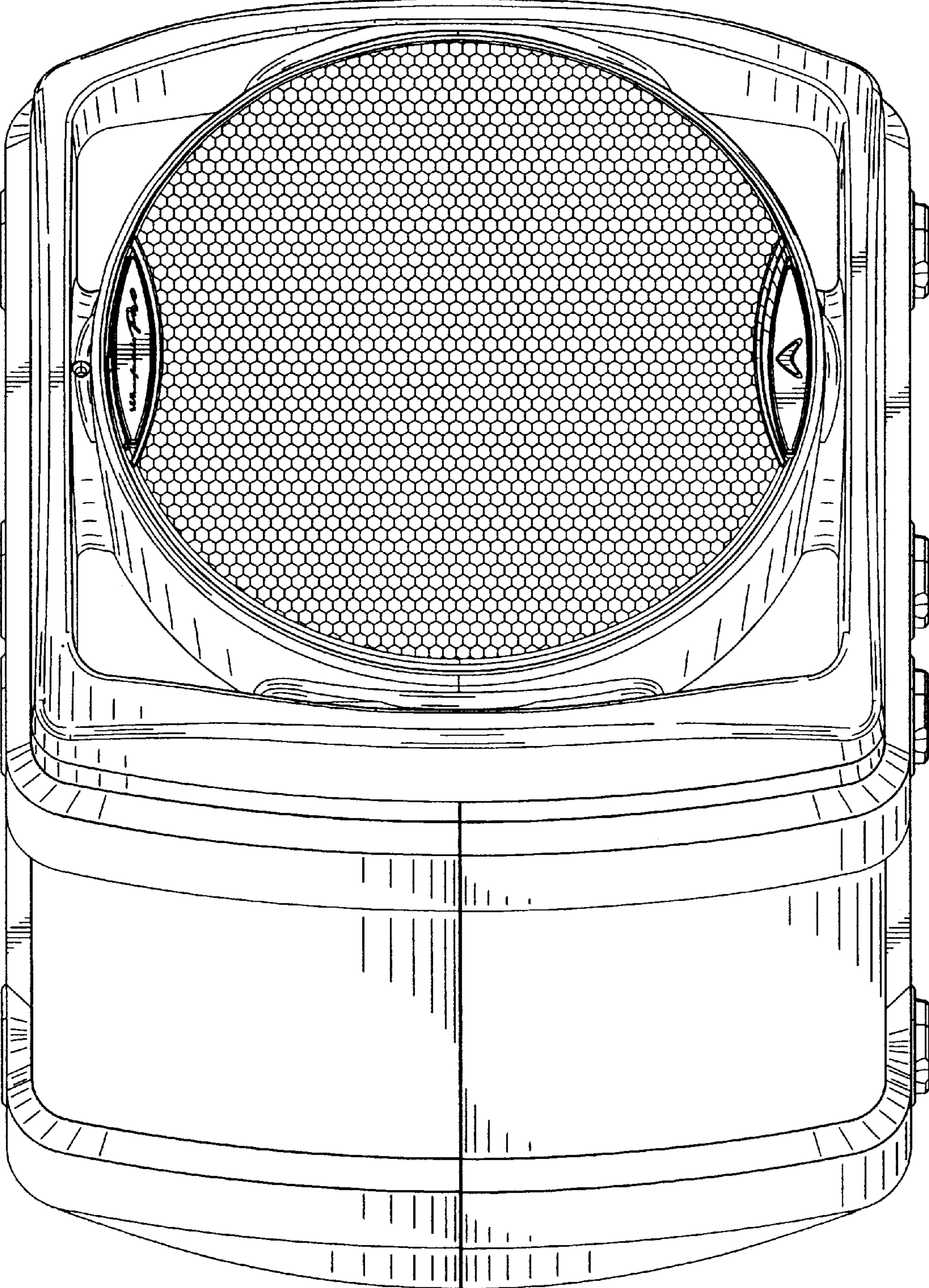


FIG. 7





**FIG. 8**

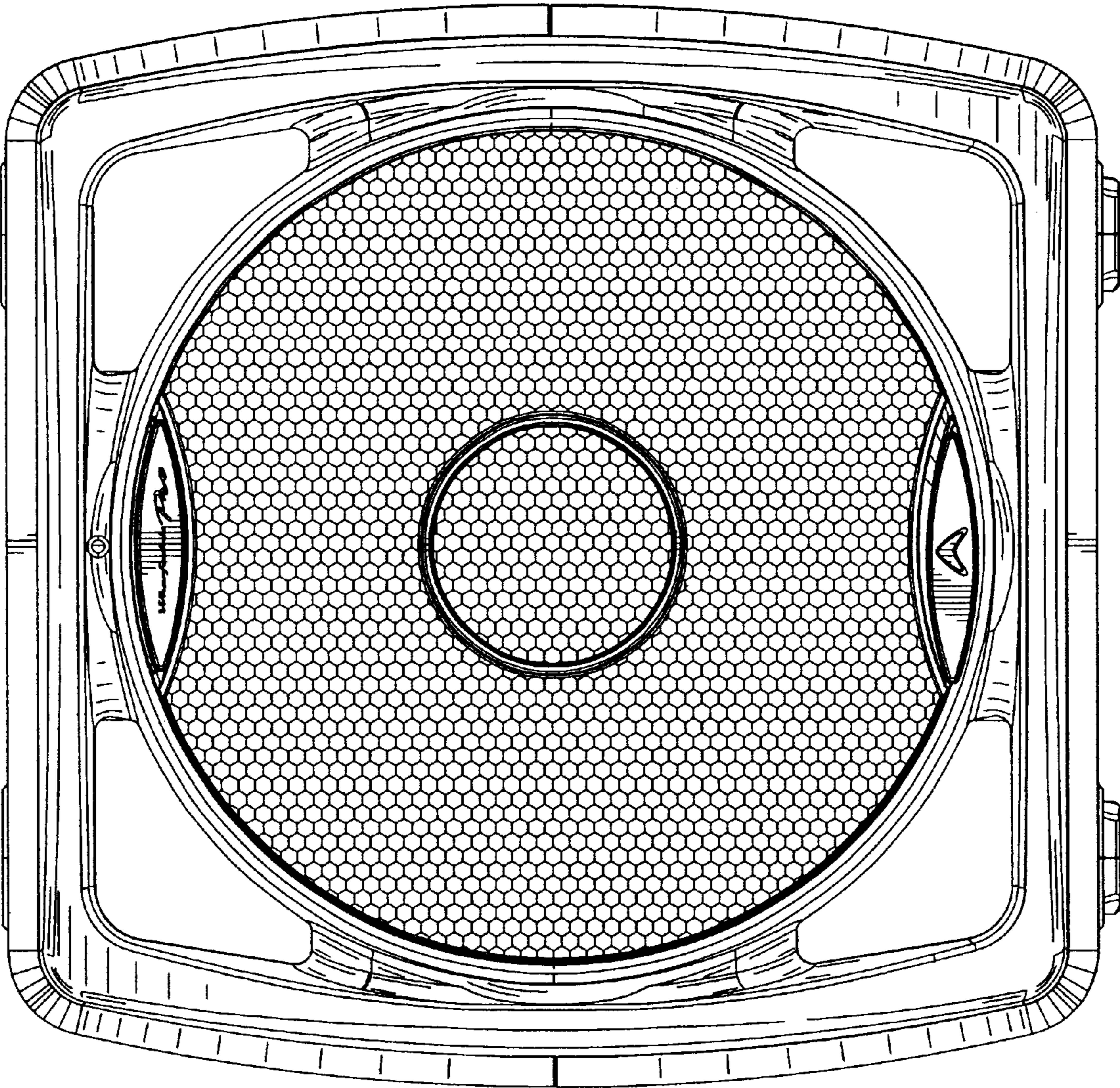
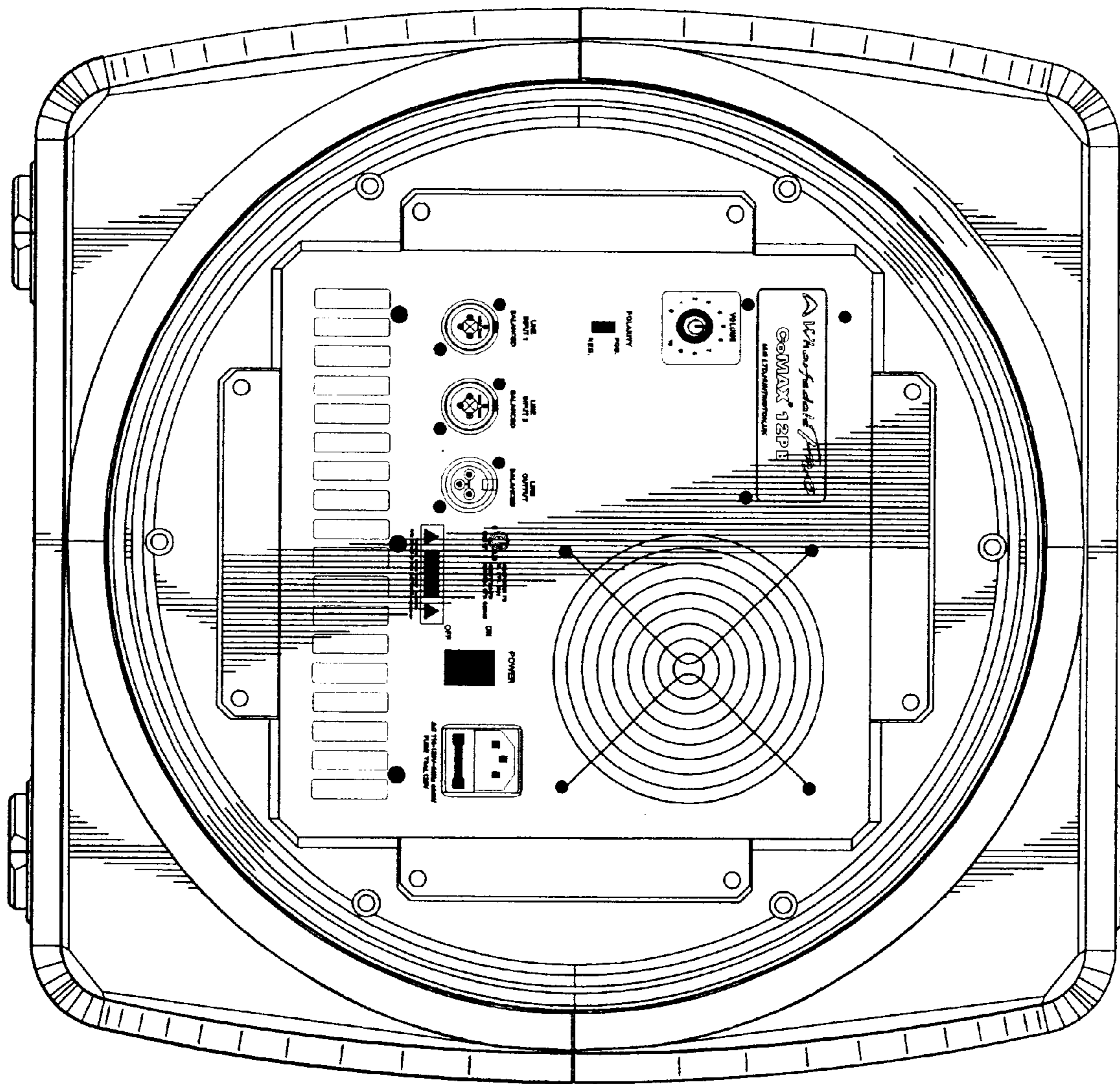
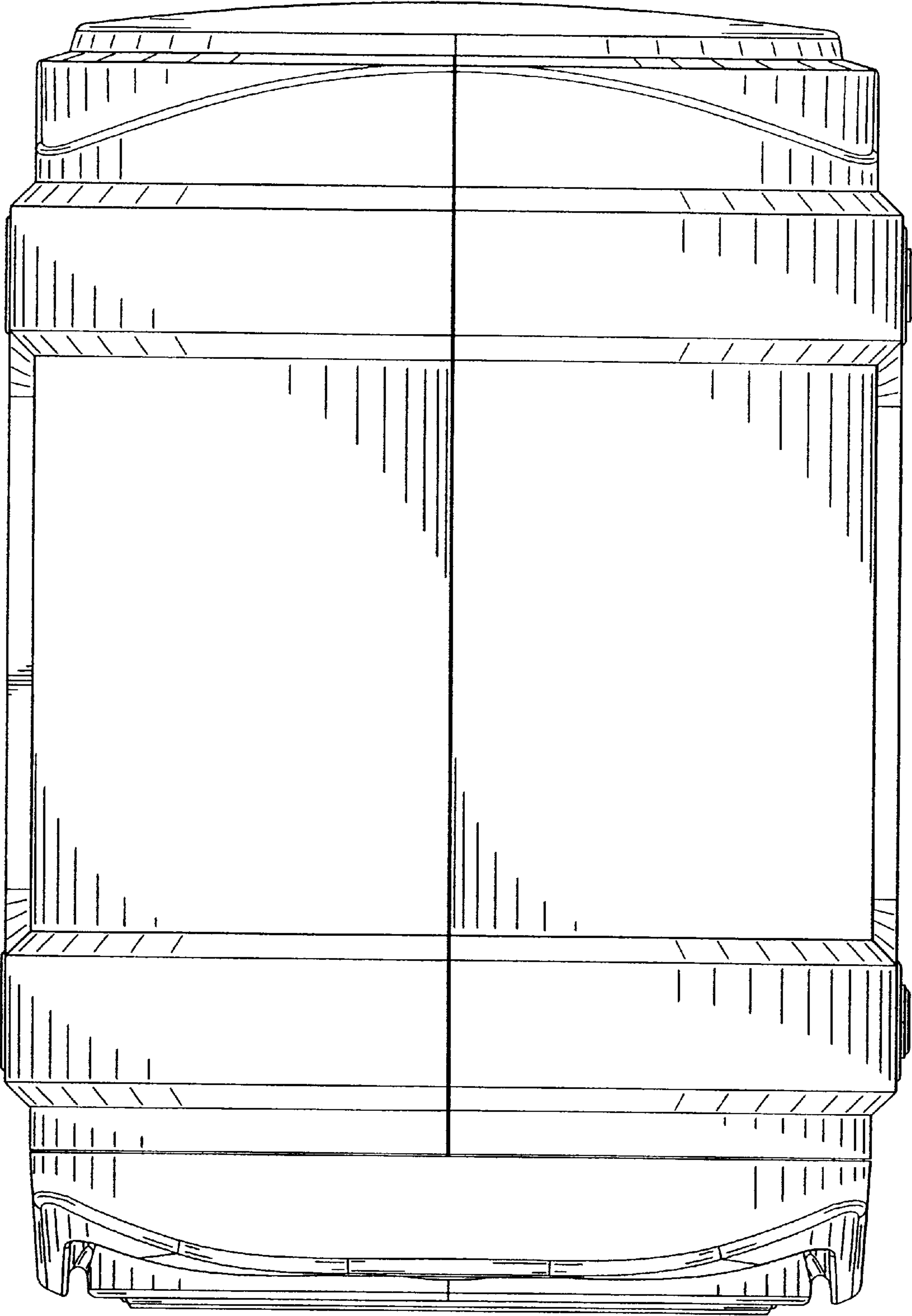


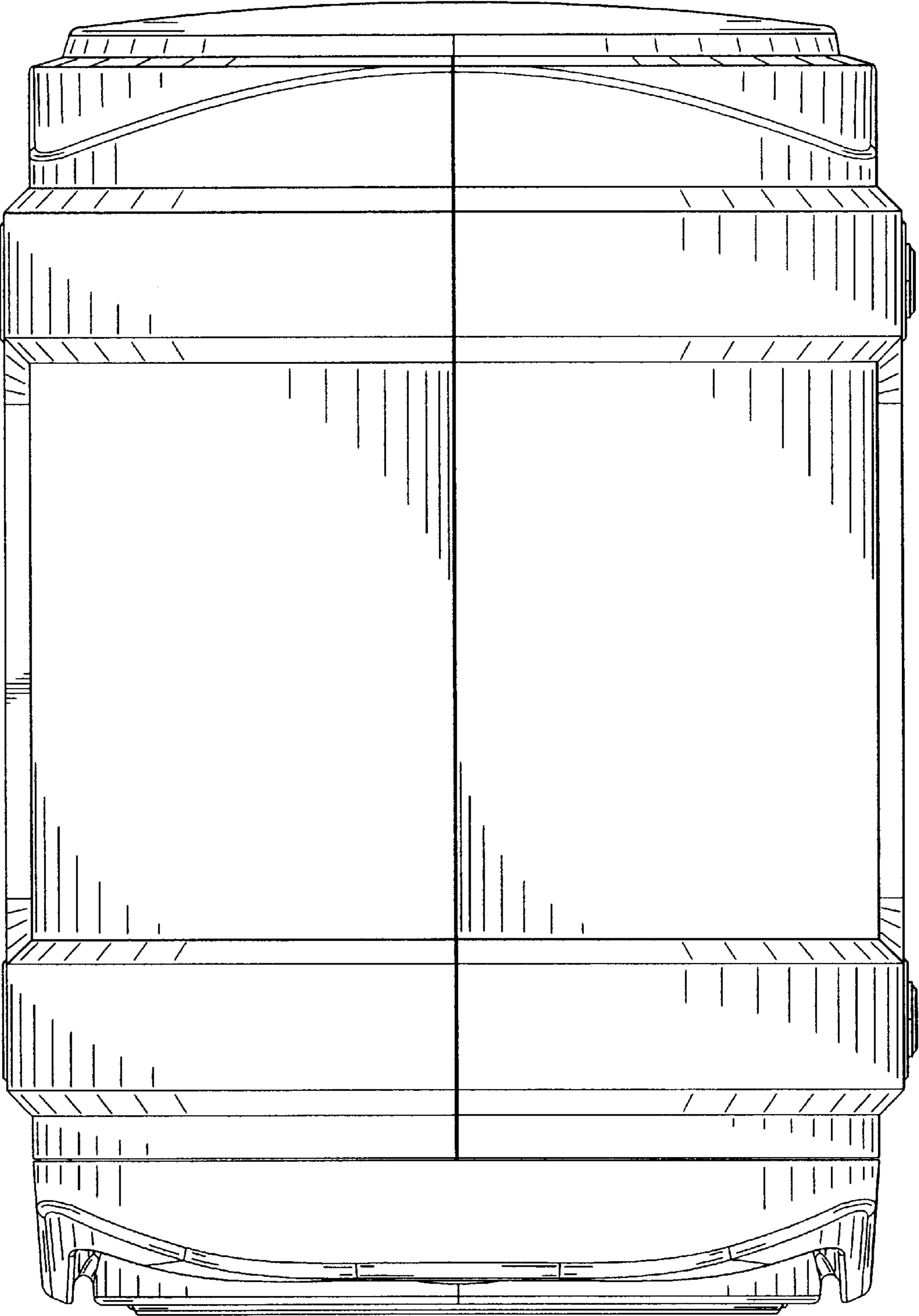
FIG. 9



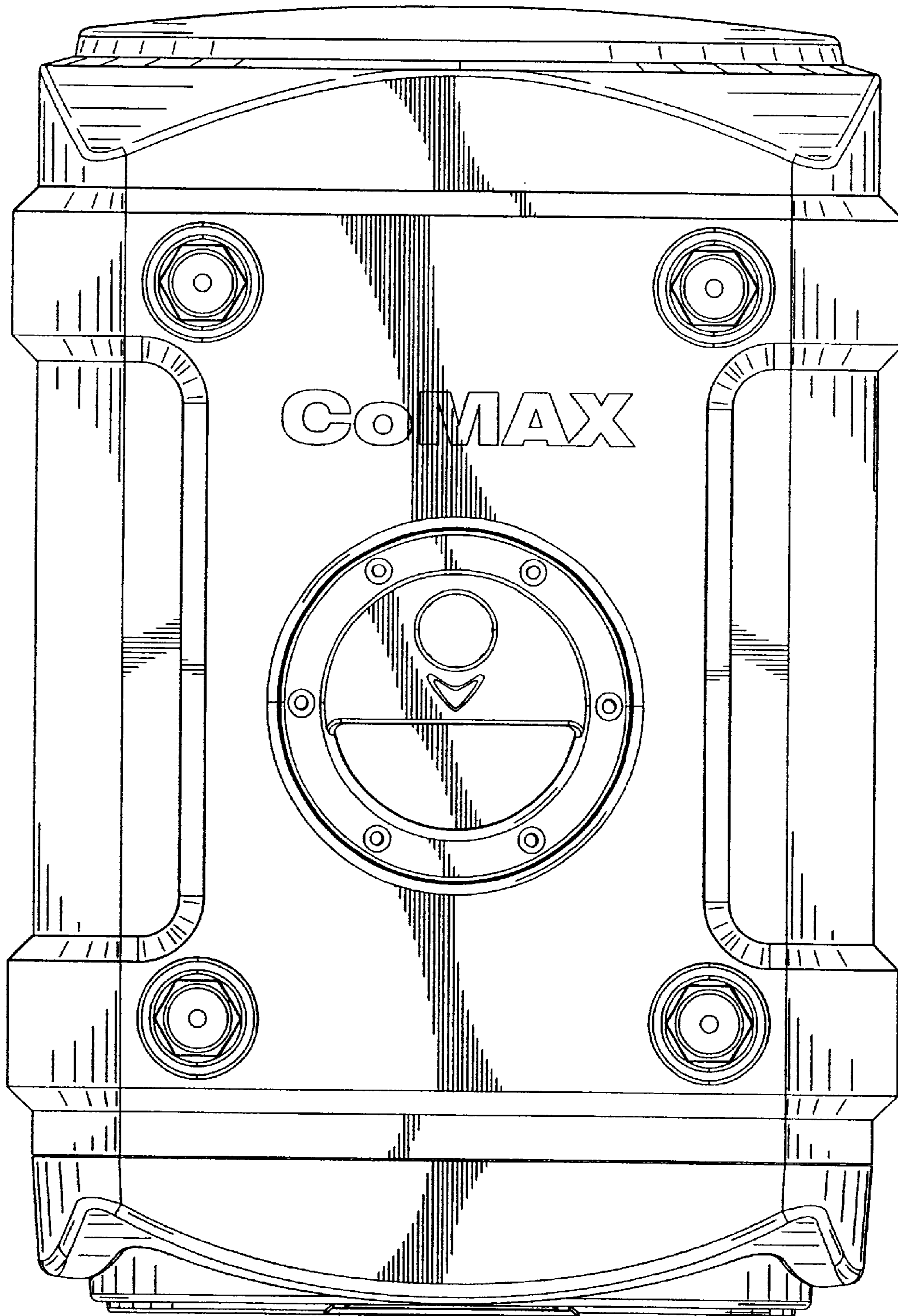
**FIG. 10**



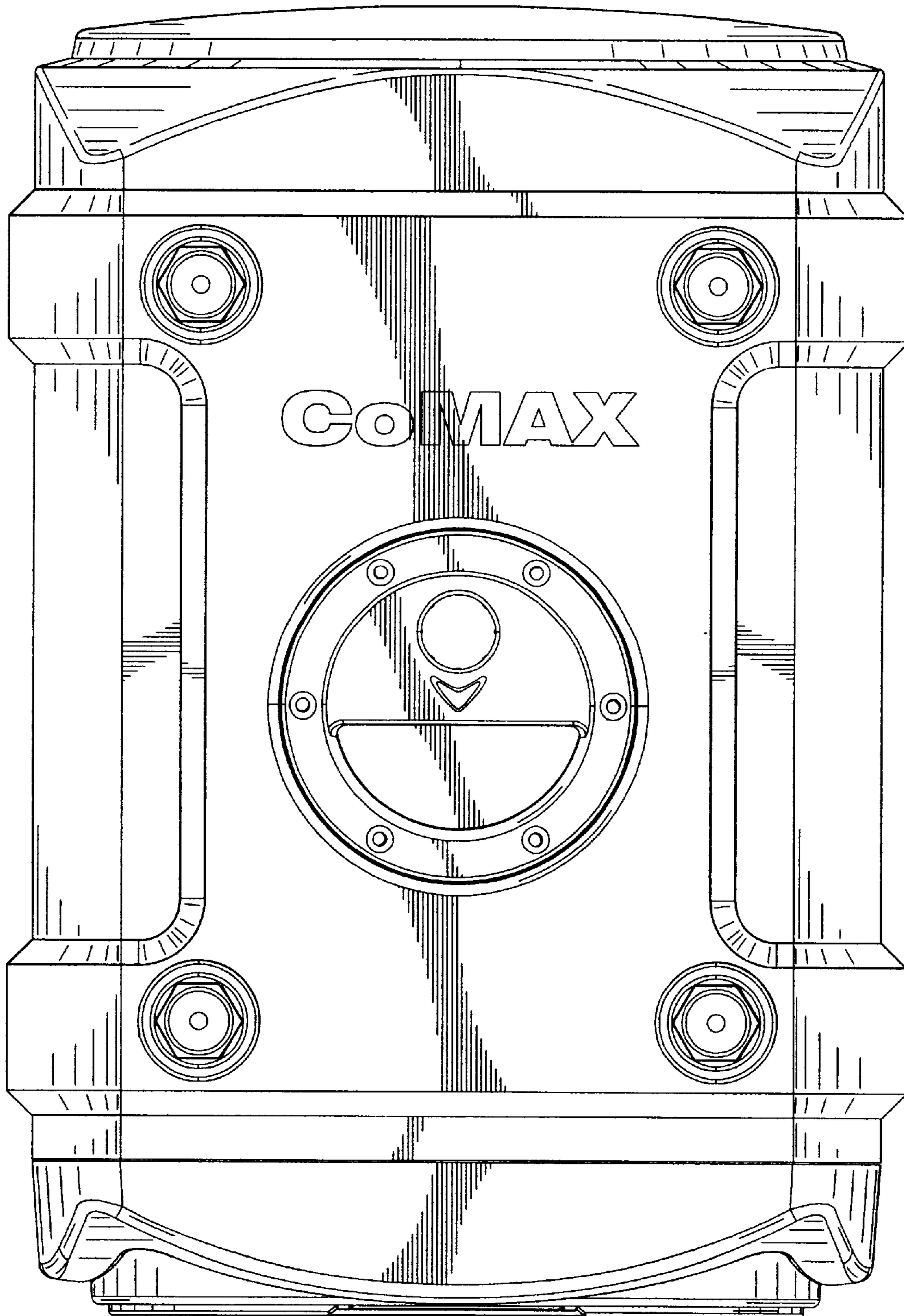
**FIG. 11**



**FIG. 12**



**FIG. 13**



**FIG. 14**

