



US00D531165S

(12) **United States Design Patent**
Rath

(10) **Patent No.:** **US D531,165 S**
(45) **Date of Patent:** **** Oct. 31, 2006**

(54) **HEADSET**

(75) Inventor: **Klaus Rath**, Gentofte (DK)

(73) Assignee: **GN Netcom A/S** (DK)

(**) Term: **14 Years**

(21) Appl. No.: **29/238,254**

(22) Filed: **Sep. 13, 2005**

(30) **Foreign Application Priority Data**

Mar. 14, 2005 (EM) 000310578

(51) **LOC (8) Cl.** **14-01**

(52) **U.S. Cl.** **D14/206**

(58) **Field of Classification Search** D14/142,
D14/188, 192, 205, 206, 223, 225; 181/129,
181/130; 379/430, 433, 454; 381/370, 376,
381/377, 378, 379, 380, 381, 74; D24/110;
2/209; D29/112; 455/575.2

See application file for complete search history.

(56) **References Cited**

U.S. PATENT DOCUMENTS

D337,116 S * 7/1993 Hattori D14/206
D344,730 S * 3/1994 Gattey et al. D14/206
D365,559 S * 12/1995 Fathi D14/142

D377,020 S * 12/1996 Bungardt et al. D14/205
5,640,458 A * 6/1997 Nishiguchi et al. 381/74
D394,437 S * 5/1998 Landreth et al. D14/206
6,154,539 A * 11/2000 Pitel 379/430
D436,348 S * 1/2001 McGugan D14/142
6,622,029 B1 * 9/2003 Skulley et al. 455/575.2
D482,019 S * 11/2003 Petersen et al. D14/206
D498,470 S * 11/2004 Skulley et al. D14/206
6,970,572 B1 * 11/2005 Murozaki et al. 381/381
D517,528 S * 3/2006 Skulley D14/206

* cited by examiner

Primary Examiner—Paula A. Greene

(74) *Attorney, Agent, or Firm*—Altera Law Group, LLC

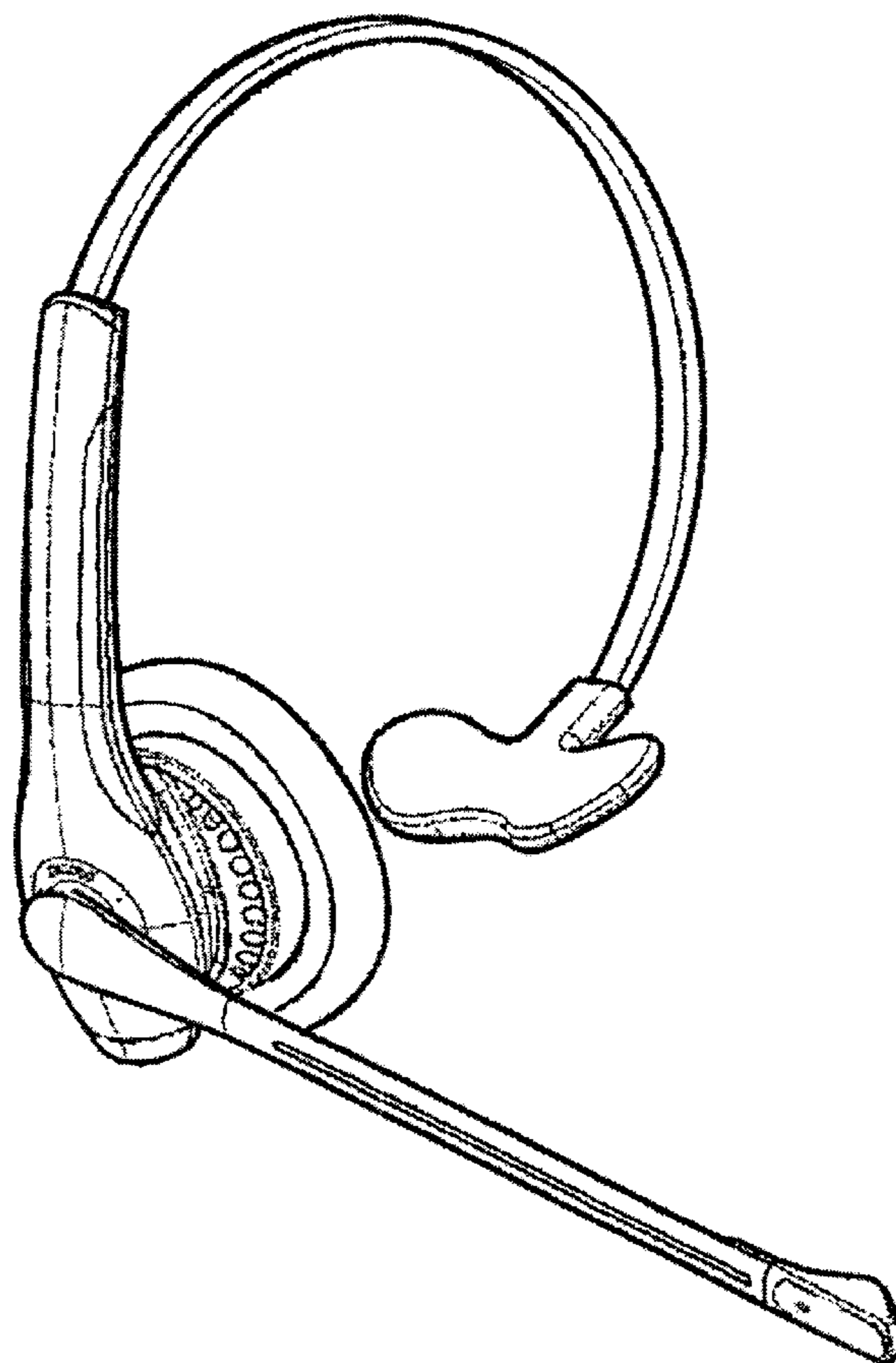
(57) **CLAIM**

The ornamental design for a headset, as shown and described.

DESCRIPTION

FIG. 1.1 is a perspective view of the wireless headset;
FIG. 1.2 is a side view of the headset;
FIG. 1.3 shows the headset from the opposite side;
FIG. 1.4 is a front view of the headset;
FIG. 1.5 shows the headset from the back;
FIG. 1.6 is the bottom view of the headset; and,
FIG. 1.7 is the top view of the headset.

1 Claim, 4 Drawing Sheets



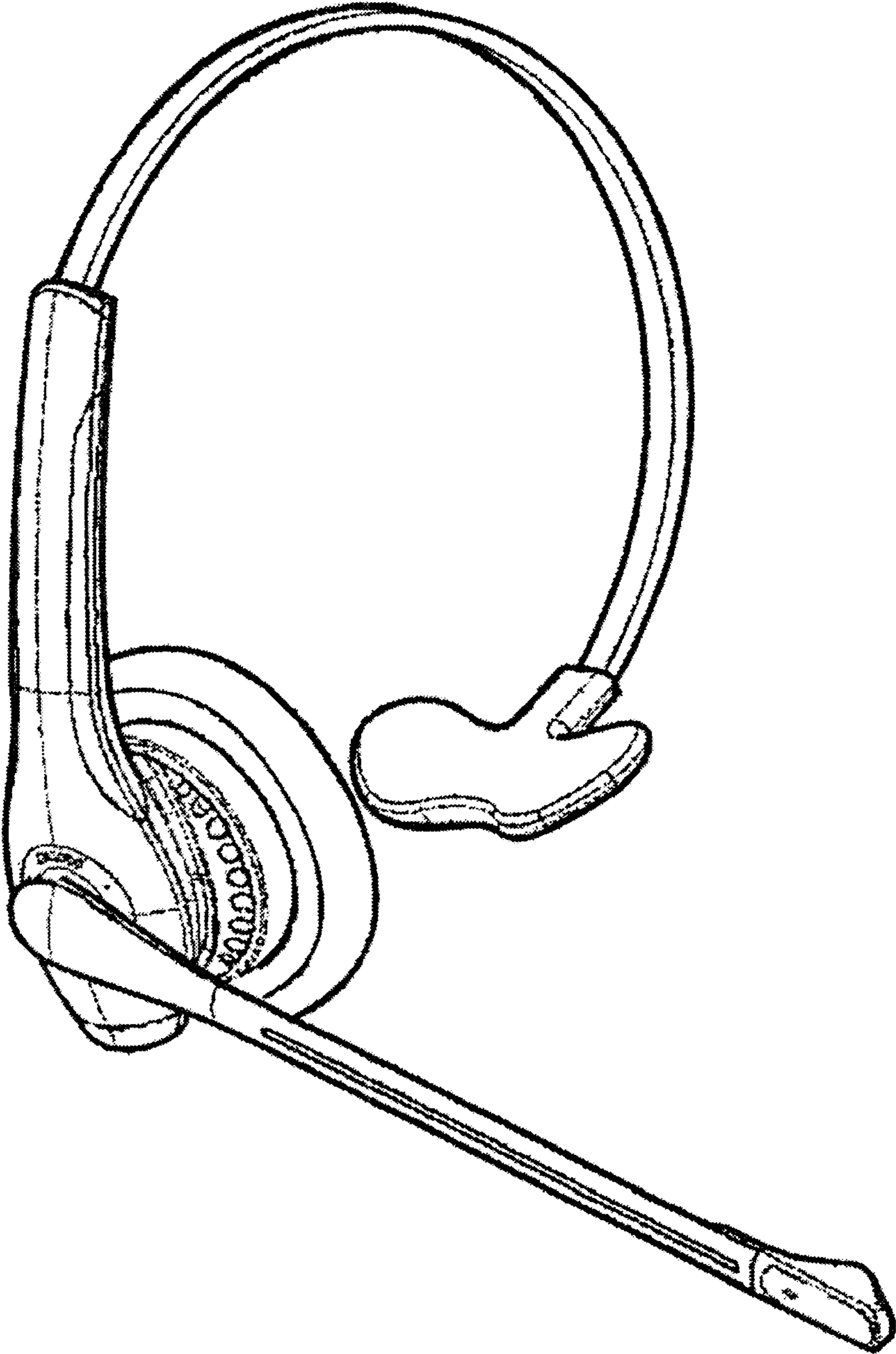


Fig. 1.1

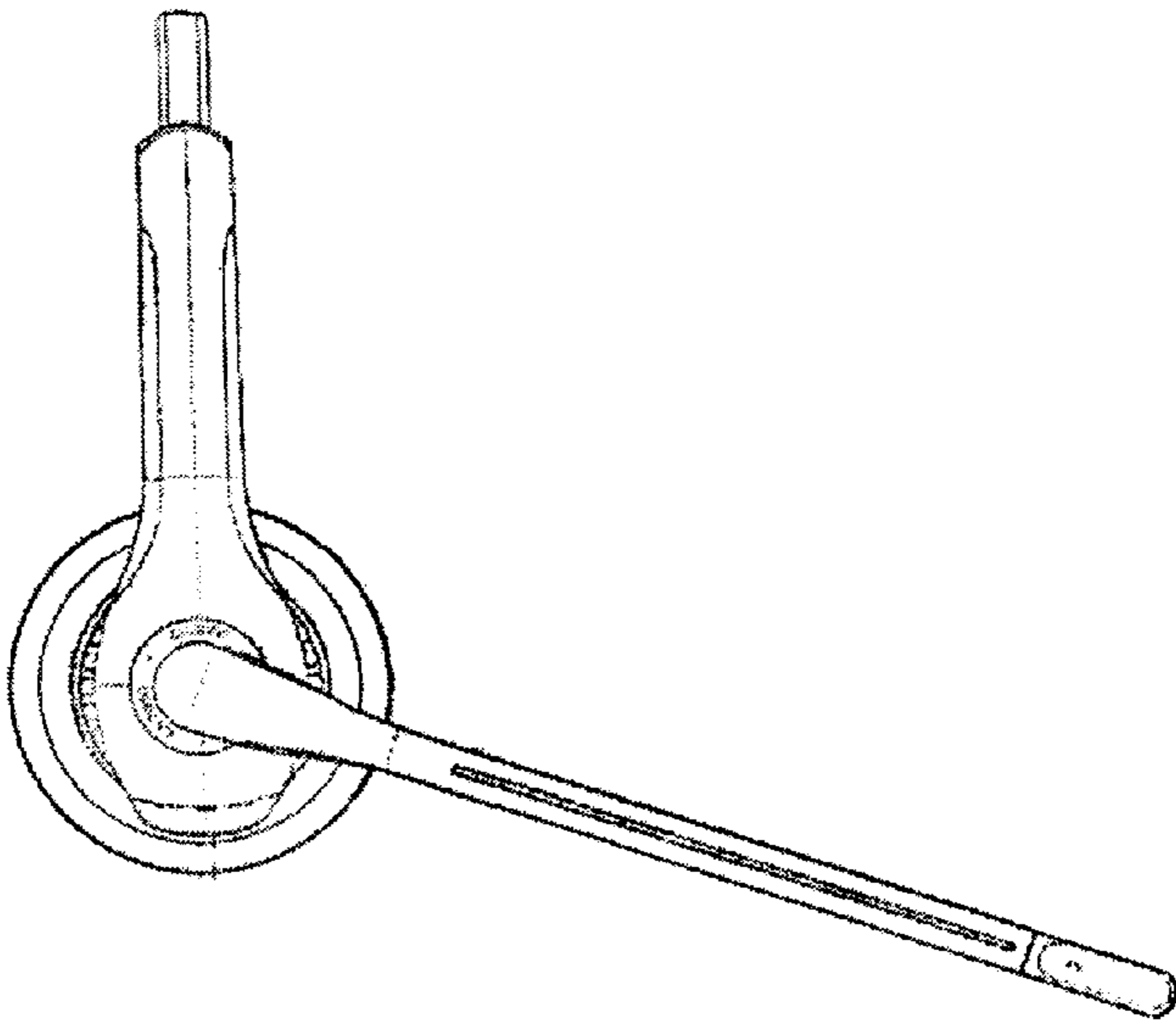


Fig. 1.2

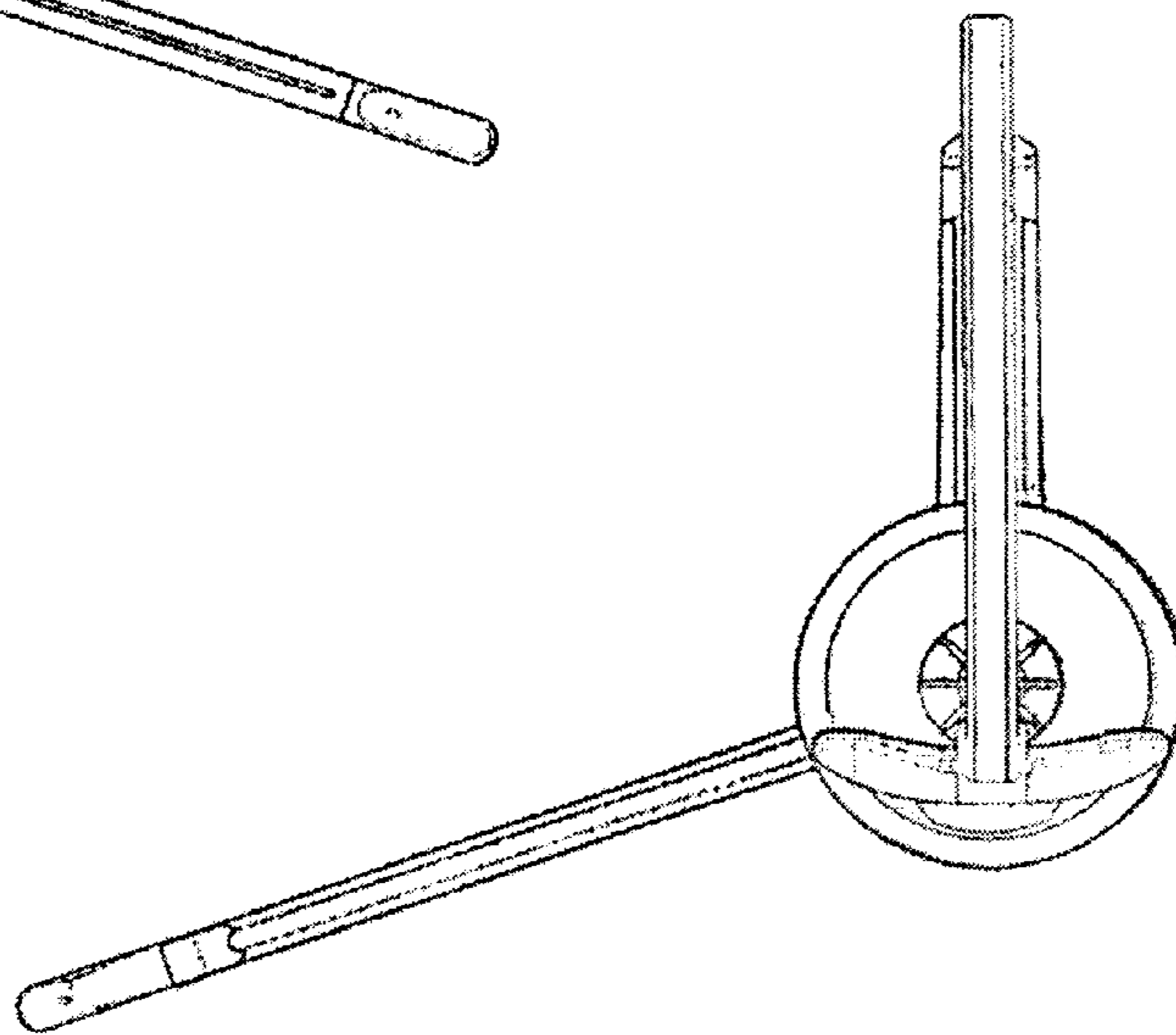


Fig. 1.3

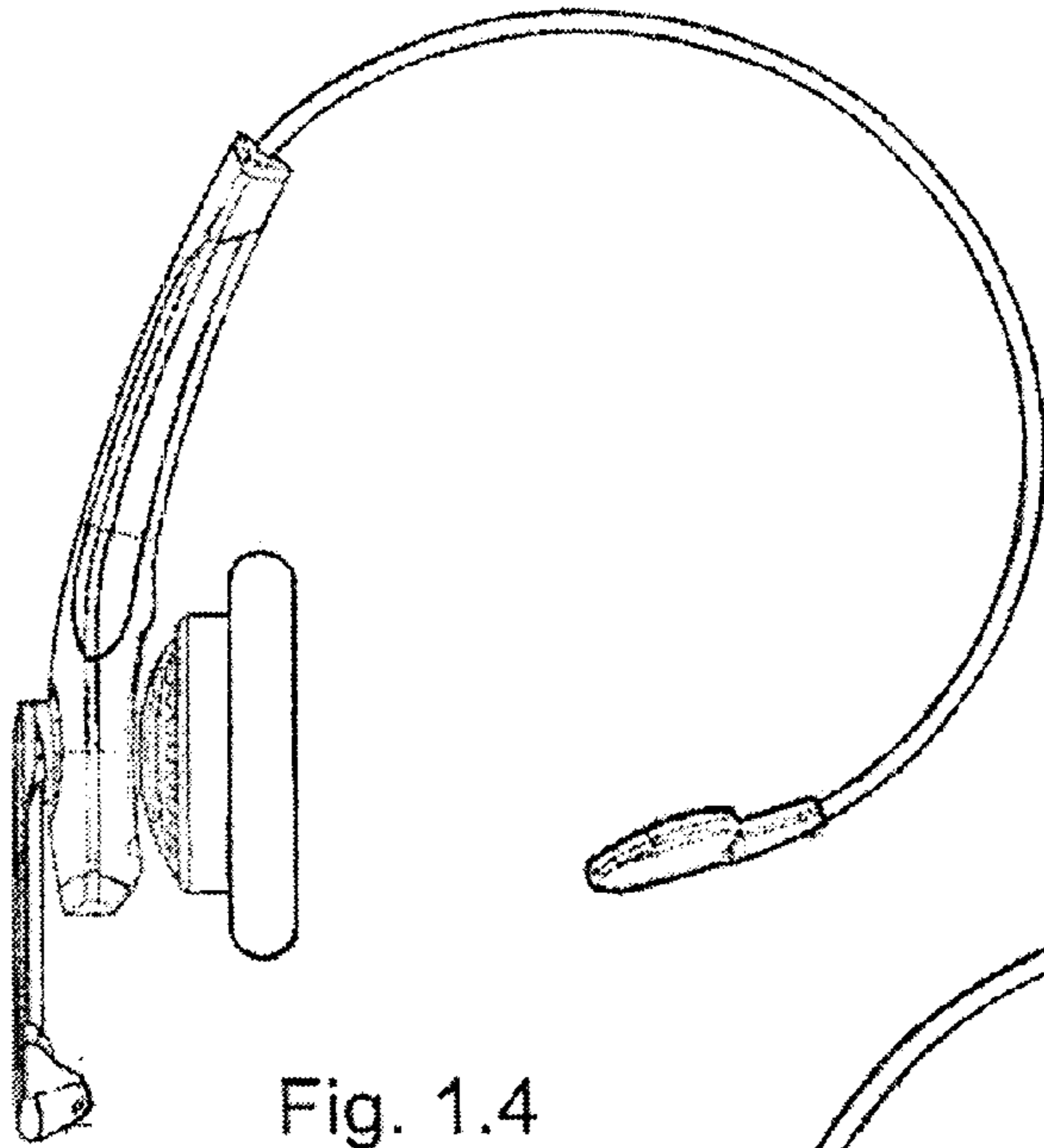


Fig. 1.4

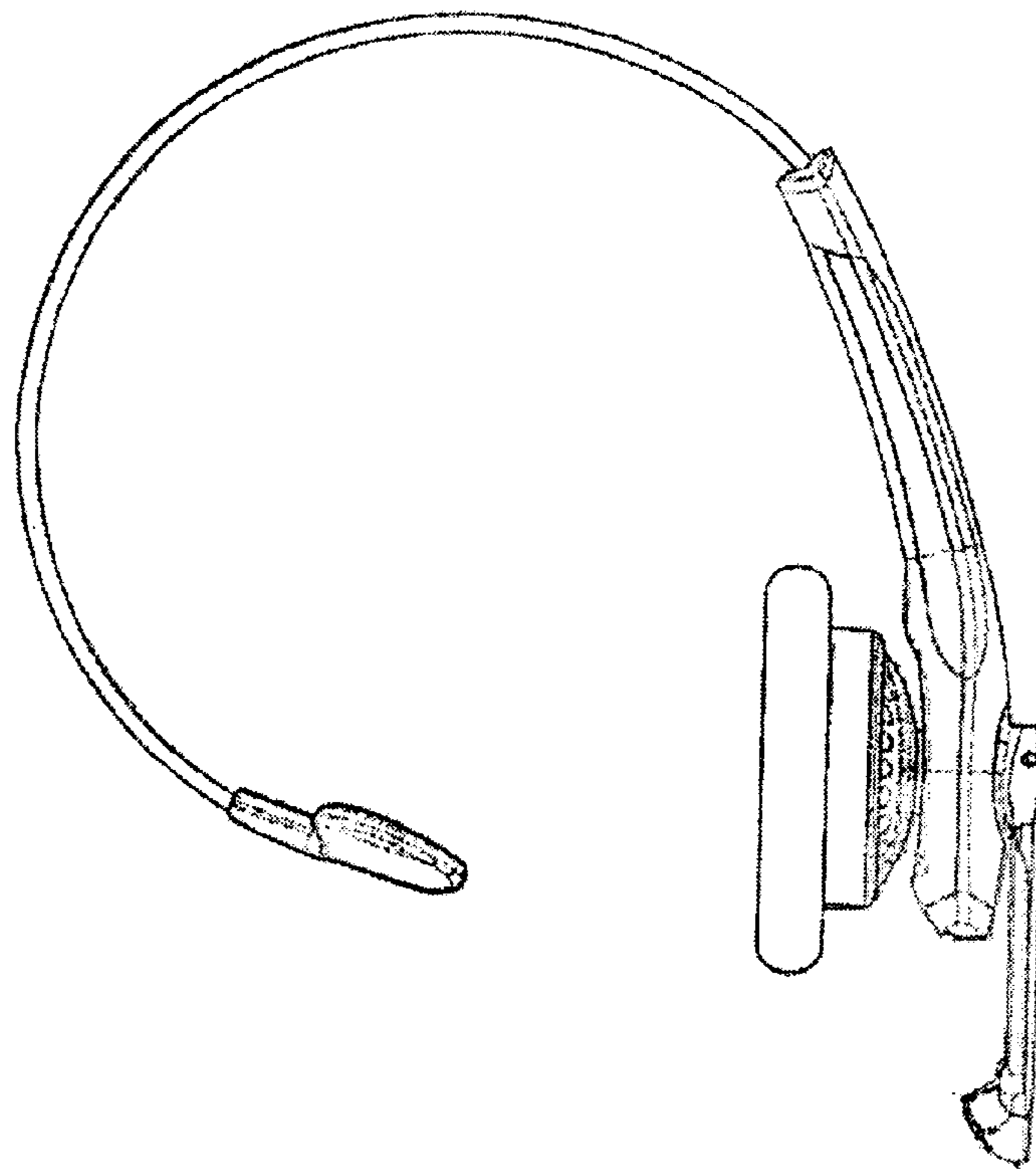


Fig. 1.5

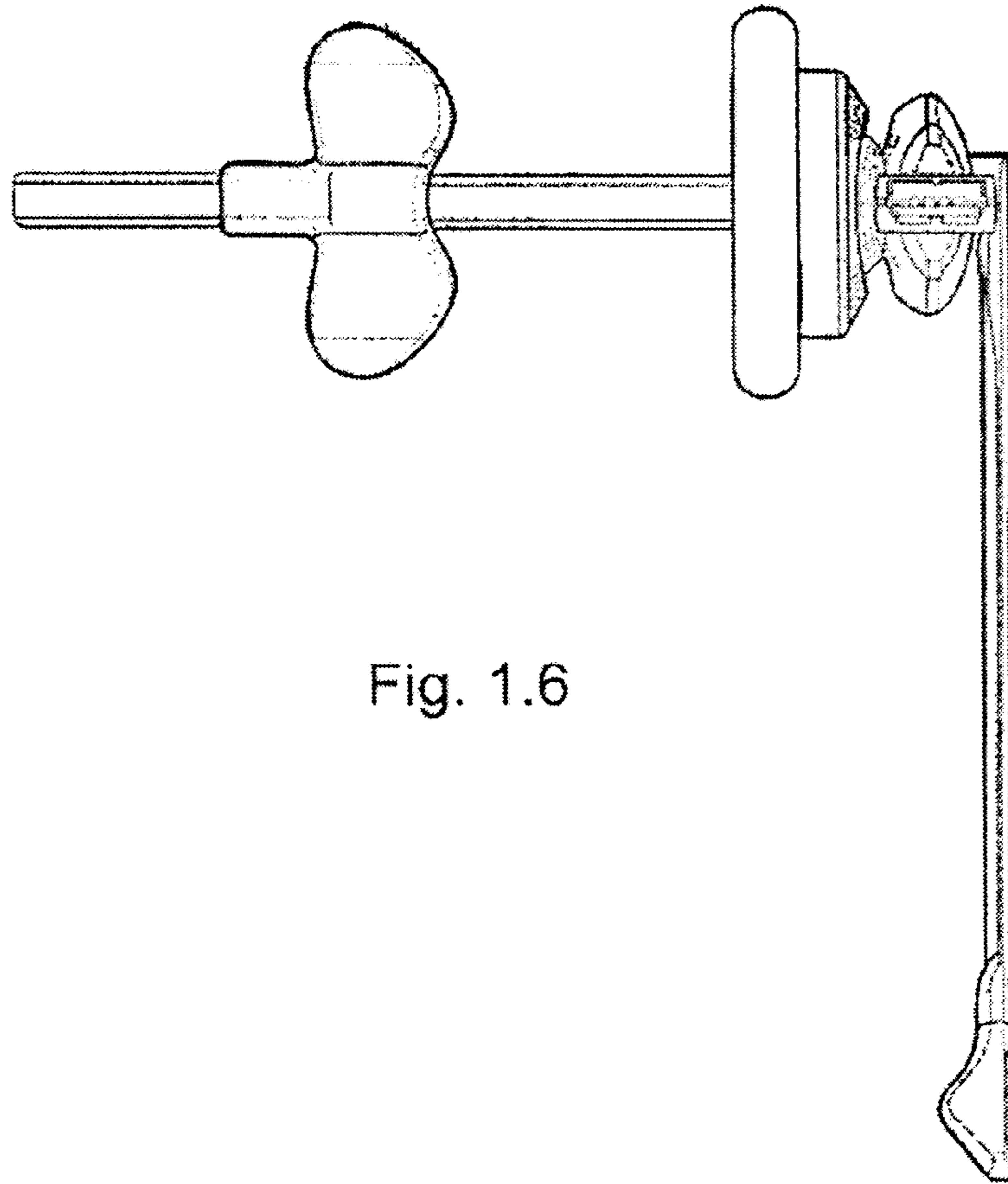


Fig. 1.6

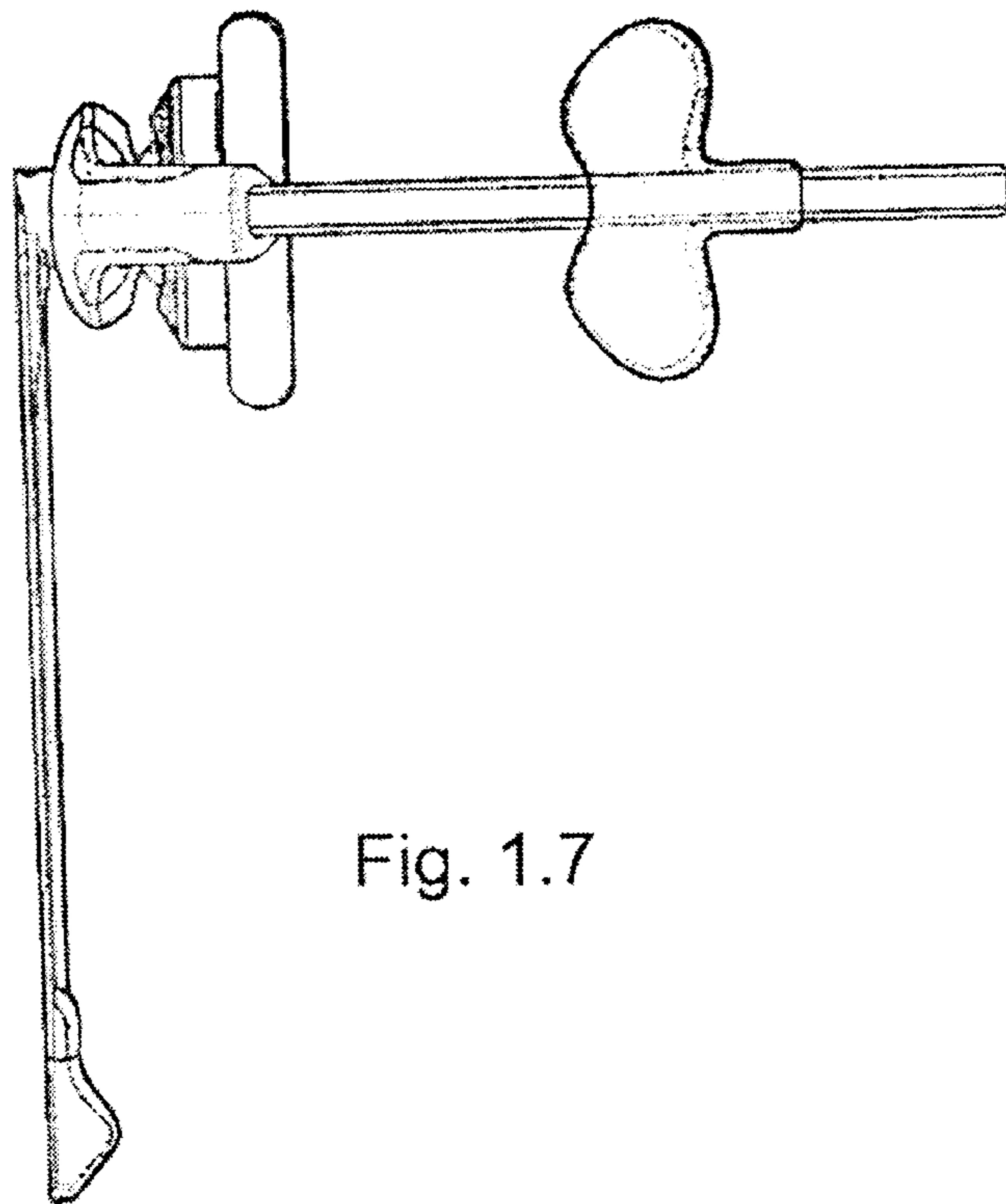


Fig. 1.7