



US00D531164S

(12) **United States Design Patent**
Ferstenberg et al.

(10) **Patent No.:** **US D531,164 S**
(45) **Date of Patent:** **** Oct. 31, 2006**

(54) **SELF-AMPLIFIED LOUDSPEAKER**
(75) Inventors: **Isaac Ferstenberg**, Edgewater, NJ
(US); **Thomas A. Nelson**, West
Milford, NJ (US); **Berta Grushko**, Fair
Lawn, NJ (US)

6,614,297 B1 9/2003 Score et al.
6,646,507 B1 11/2003 Prokin et al.
2004/0161122 A1 8/2004 Nielsen
2004/0169552 A1 9/2004 Butler
2004/0232978 A1 11/2004 Easson et al.

(73) Assignee: **Bogen Communications, Inc.**, Ramsey,
NJ (US)

OTHER PUBLICATIONS
Valcom, "V1030-C and V-1030C Paging Horn Amplifier
Assemblies" Valcom Inc., 5614 Hollins Road, Roanoke VA
24019—pp. 1-4 (copy enclosed) undated.

(**) Term: **14 Years**

* cited by examiner

(21) Appl. No.: **29/228,985**

Primary Examiner—Nanda Bondade

(22) Filed: **Apr. 29, 2005**

(74) *Attorney, Agent, or Firm*—Collard & Roe, P.C.

(51) **LOC (8) Cl.** **14-01**
(52) **U.S. Cl.** **D14/204**
(58) **Field of Classification Search** D14/204,
D14/207, 209-216, 356; 181/143-144, 147-148,
181/150, 157, 198-199, 151, 153; 381/300-302,
381/306, 333, 345, 361-364, 386-388, 332,
381/336

(57) **CLAIM**

The ornamental design for a self-amplified loudspeaker, as
shown and described.

See application file for complete search history.

DESCRIPTION

FIG. 1 shows a perspective view of our design for a
self-amplified loudspeaker;
FIG. 2 shows a front view thereof;
FIG. 3 shows a side view thereof;
FIG. 4 shows a rear view thereof;
FIG. 5 shows another side view opposite the side in FIG. 3.
FIG. 6 shows a top view thereof; and,
FIG. 7 shows a bottom view thereof.

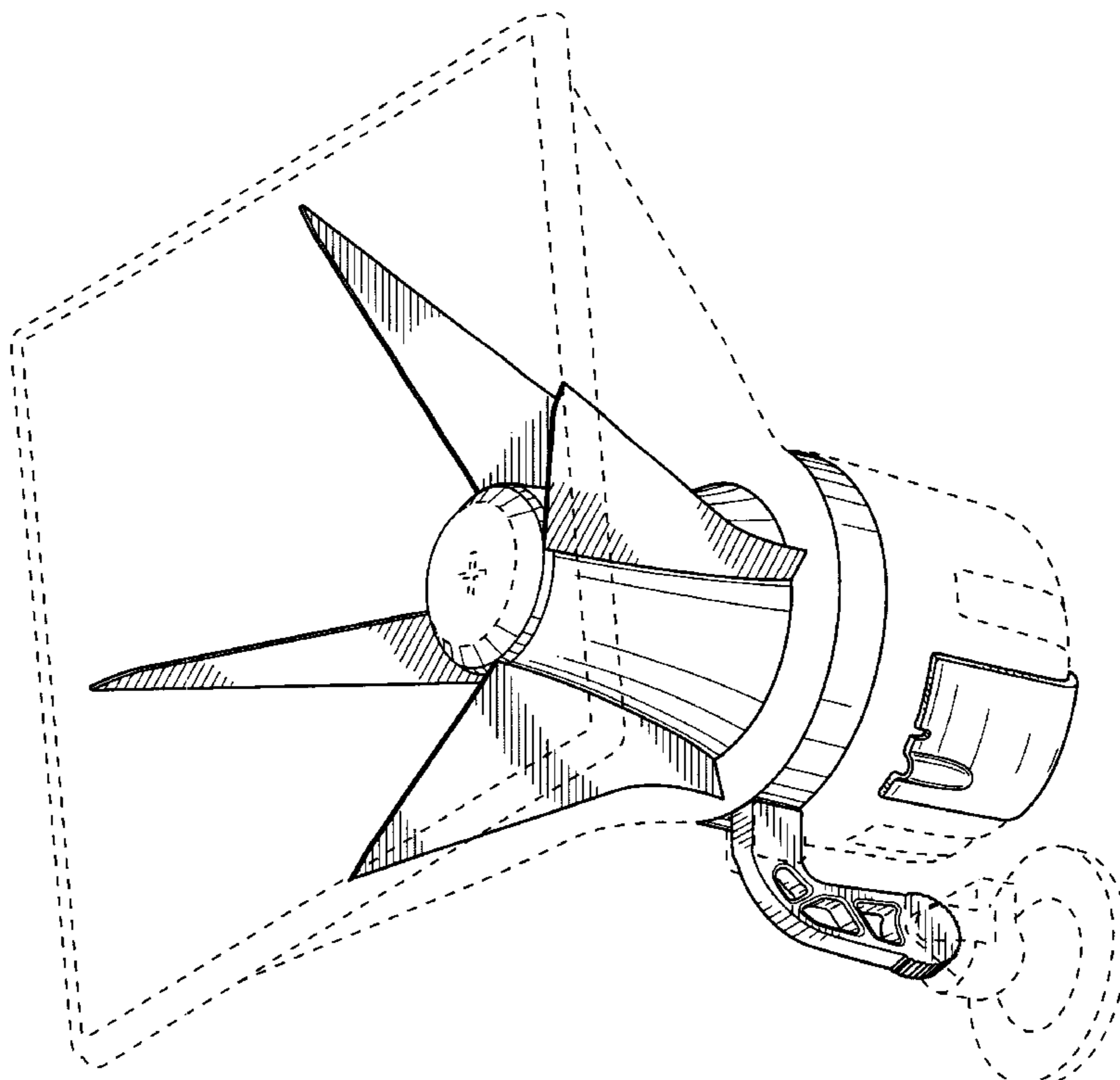
The broken line portions shown in FIGS. 1-7 are for
illustration purposes only and form no part of the claimed
design.

(56) **References Cited**

U.S. PATENT DOCUMENTS

D205,663 S * 9/1966 Seebinger D14/204
D249,941 S * 10/1978 Bremseth D14/204
D322,253 S * 12/1991 Hsieh D14/204
5,410,592 A 4/1995 Wagner et al.
6,211,728 B1 4/2001 Chen et al.
6,243,472 B1 6/2001 Bilan et al.
6,262,632 B1 7/2001 Corsi et al.

1 Claim, 7 Drawing Sheets



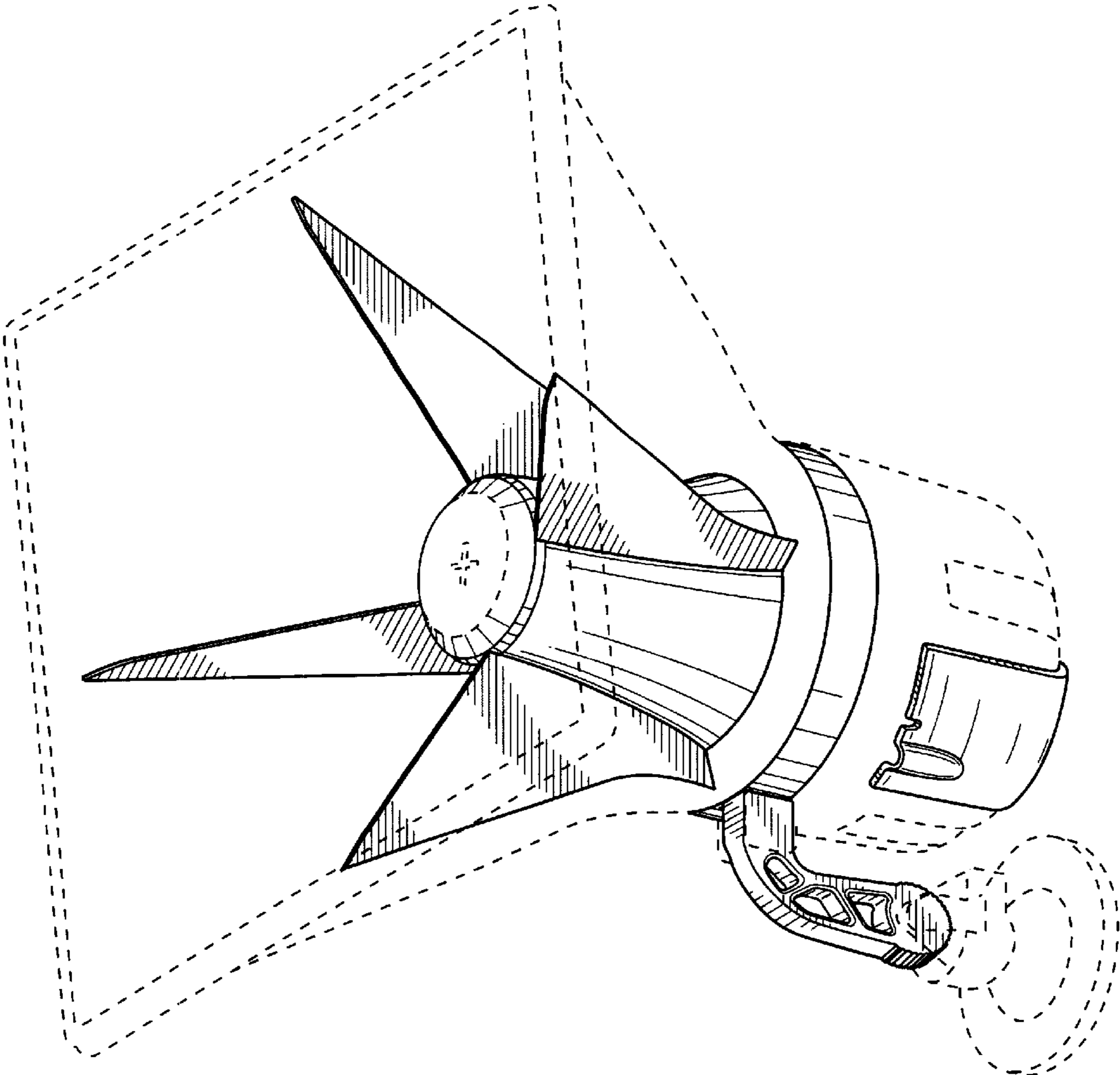


FIG. 1

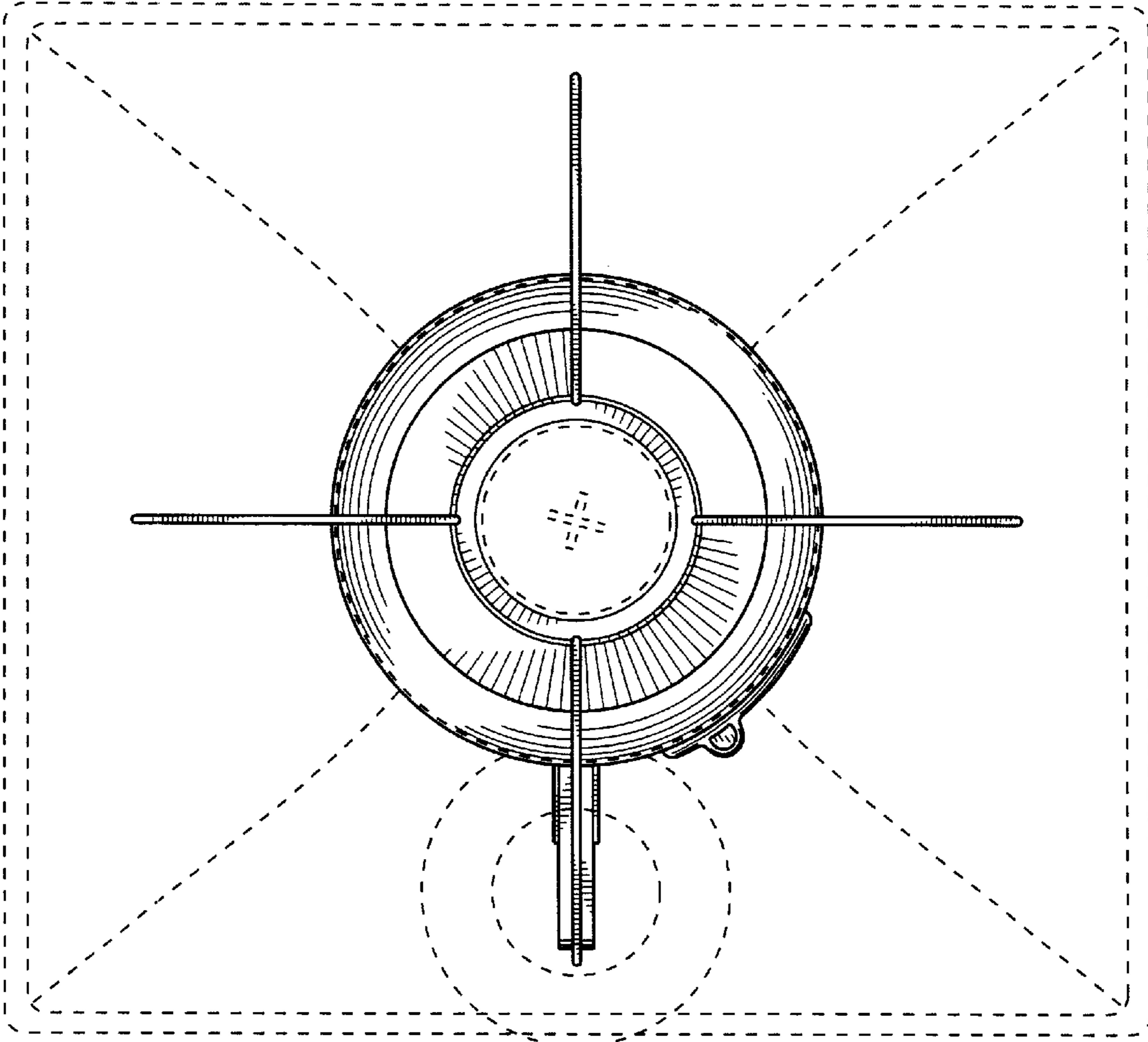


FIG. 2

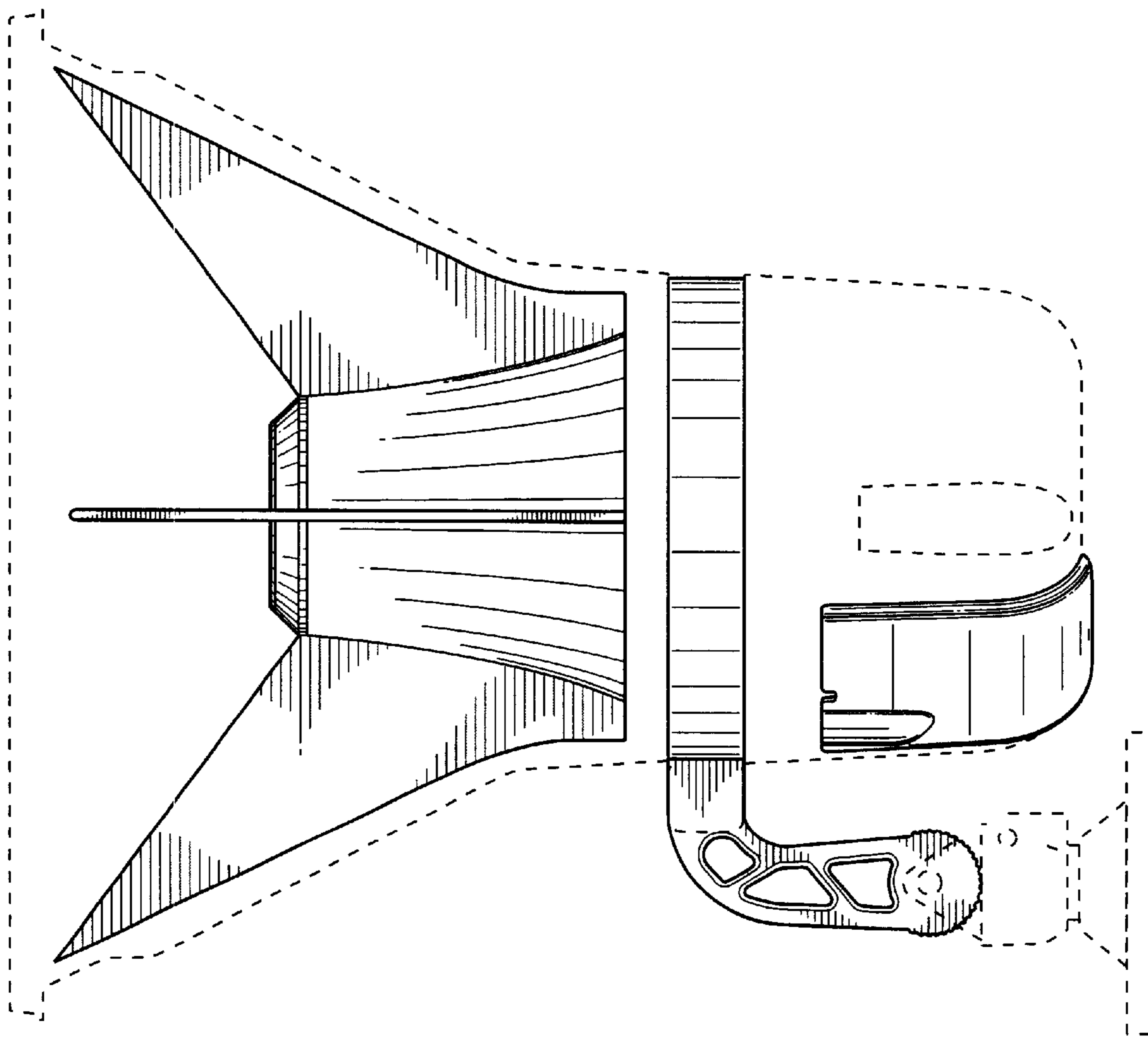


FIG. 3

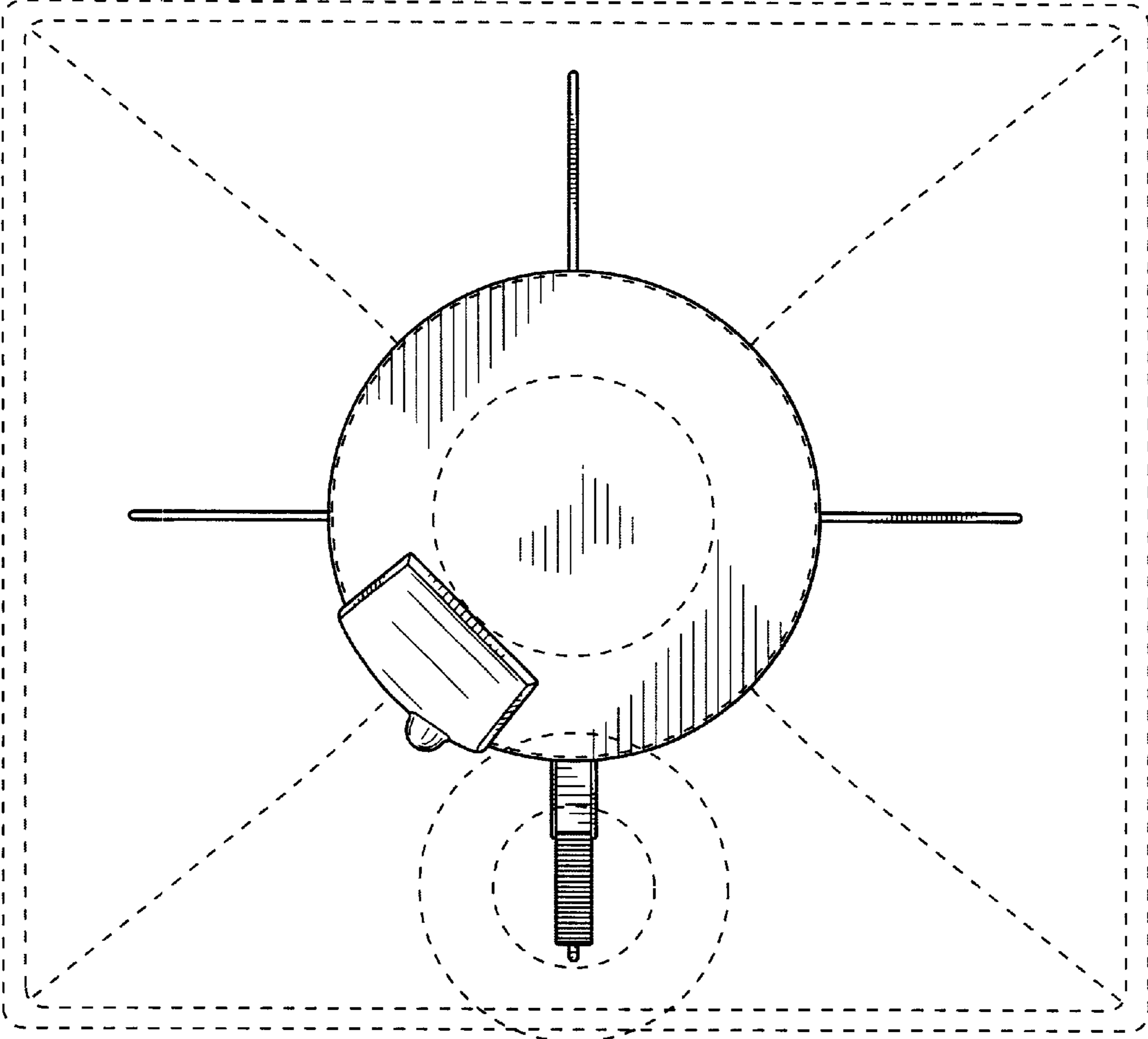


FIG. 4

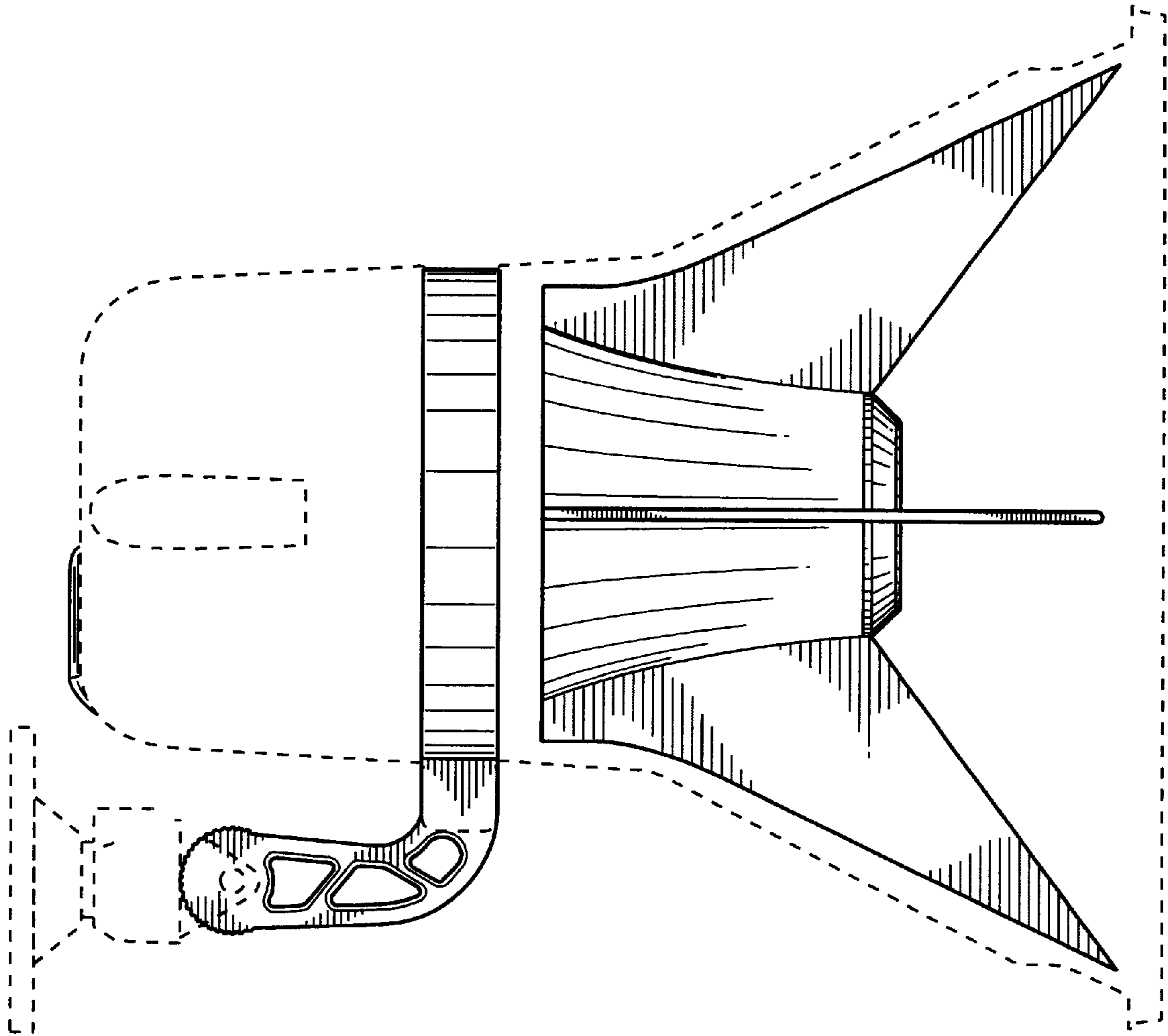


FIG. 5

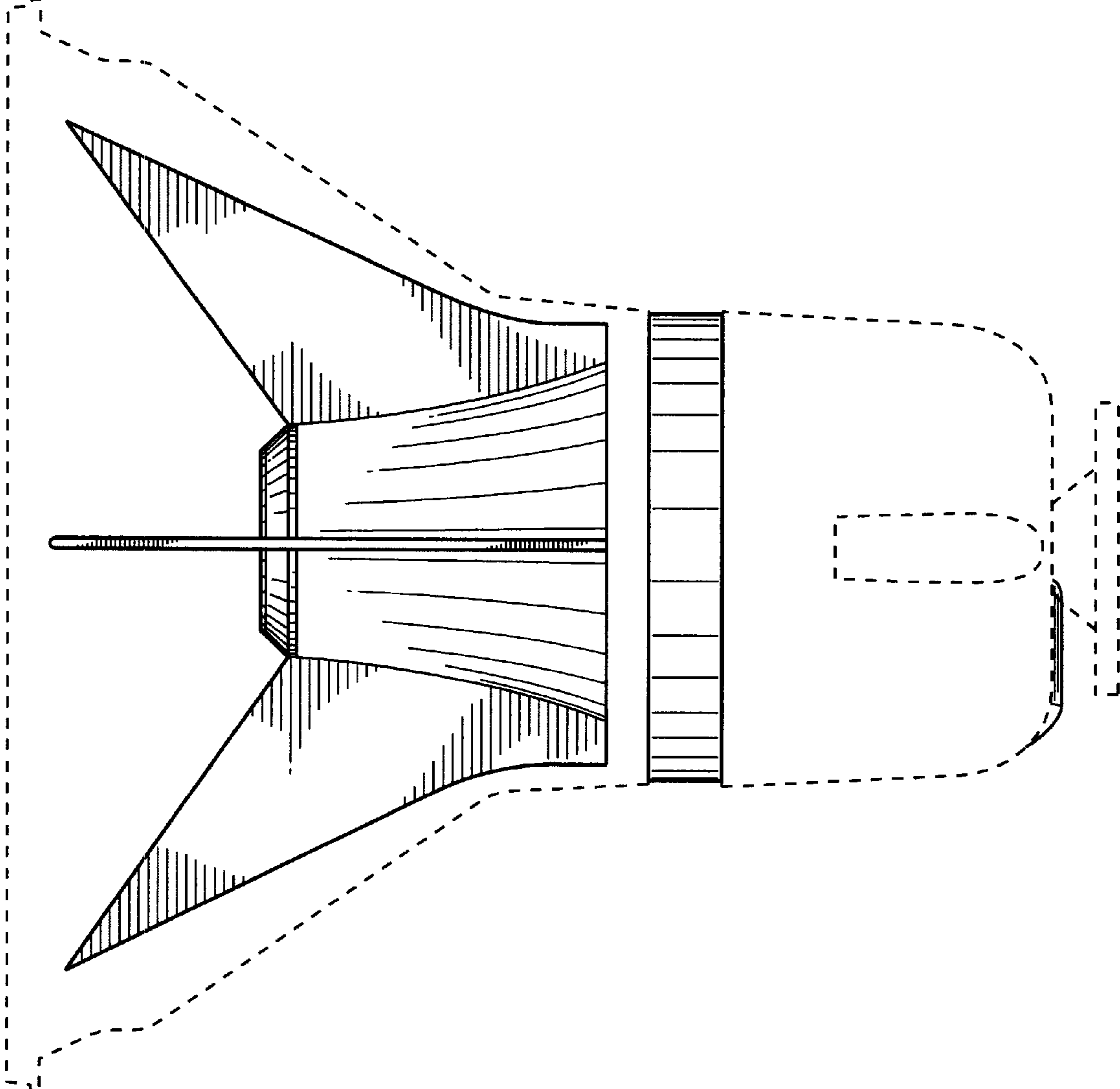


FIG. 6

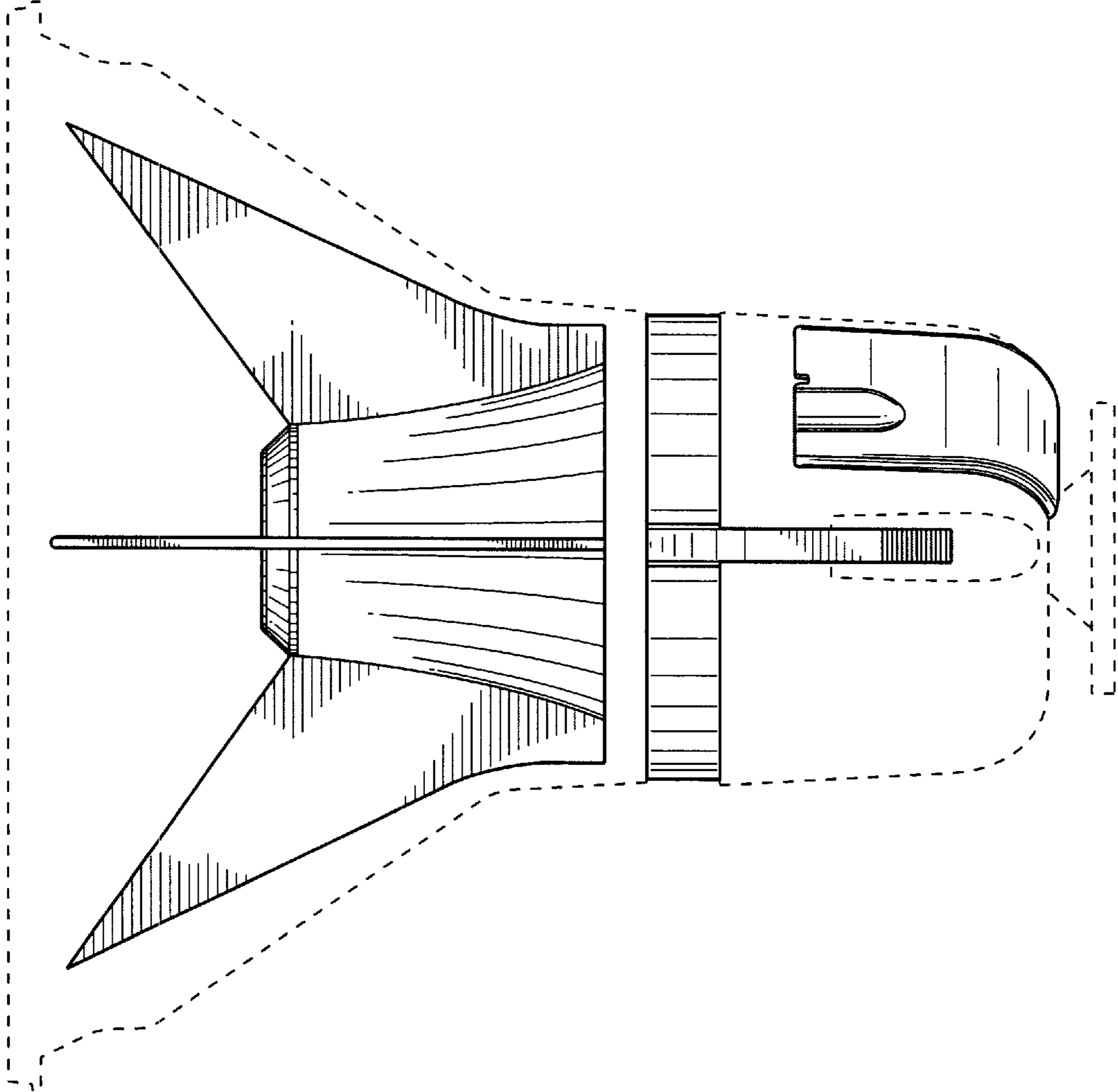


FIG. 7