

US00D531163S

(12) **United States Design Patent** (10) **Patent No.:** **US D531,163 S**  
**Kaner et al.** (45) **Date of Patent:** **\*\* Oct. 31, 2006**

(54) **RADIO COMMUNICATIONS DEVICE**

(76) Inventors: **Shirish M. Kaner**, Ashish Kaner Anix  
Plot No. 392, Nagpur, 440009 (IN);  
**David S. Pritchard**, 6 Jackson Gardens,  
Manchester (GB), M342EH; **Sheridan**  
**Saidin**, No. 3 Jalan Kelab Ukay 6,  
Ampang (MY), 68000

(\*\*) Term: **14 Years**

(21) Appl. No.: **29/228,529**

(22) Filed: **Apr. 25, 2005**

(51) **LOC (8) Cl.** ..... **14-03**

(52) **U.S. Cl.** ..... **D14/188; D14/217; D14/258**

(58) **Field of Classification Search** ..... D14/188,  
D14/192, 168, 169, 194, 217, 155, 137, 257,  
D14/258, 265; 455/344-351; 369/6-12  
See application file for complete search history.

(56) **References Cited**

**U.S. PATENT DOCUMENTS**

4,120,037	A	*	10/1978	Sato	.....	708/108
4,218,775	A	*	8/1980	Cox et al.	.....	455/344
5,231,699	A	*	7/1993	Tendler	.....	455/66.1
D342,954	S	*	1/1994	Lindeman	.....	D14/258
D344,734	S	*	3/1994	Tokiyama et al.	.....	D14/257
D365,568	S	*	12/1995	Tokiyama	.....	D14/258

D388,438	S	*	12/1997	Tokiyama et al.	.....	D14/258
D389,841	S	*	1/1998	Tokiyama et al.	.....	D14/258
5,848,042	A	*	12/1998	Takahashi et al.	.....	720/647
5,862,468	A	*	1/1999	Kim	.....	455/321
D452,966	S	*	1/2002	Sogabe	.....	D14/258
D500,303	S	*	12/2004	Riede et al.	.....	D14/188
D504,881	S	*	5/2005	Kangasmaa	.....	D14/188

\* cited by examiner

*Primary Examiner*—Prabhakar Deshmukh

(57) **CLAIM**

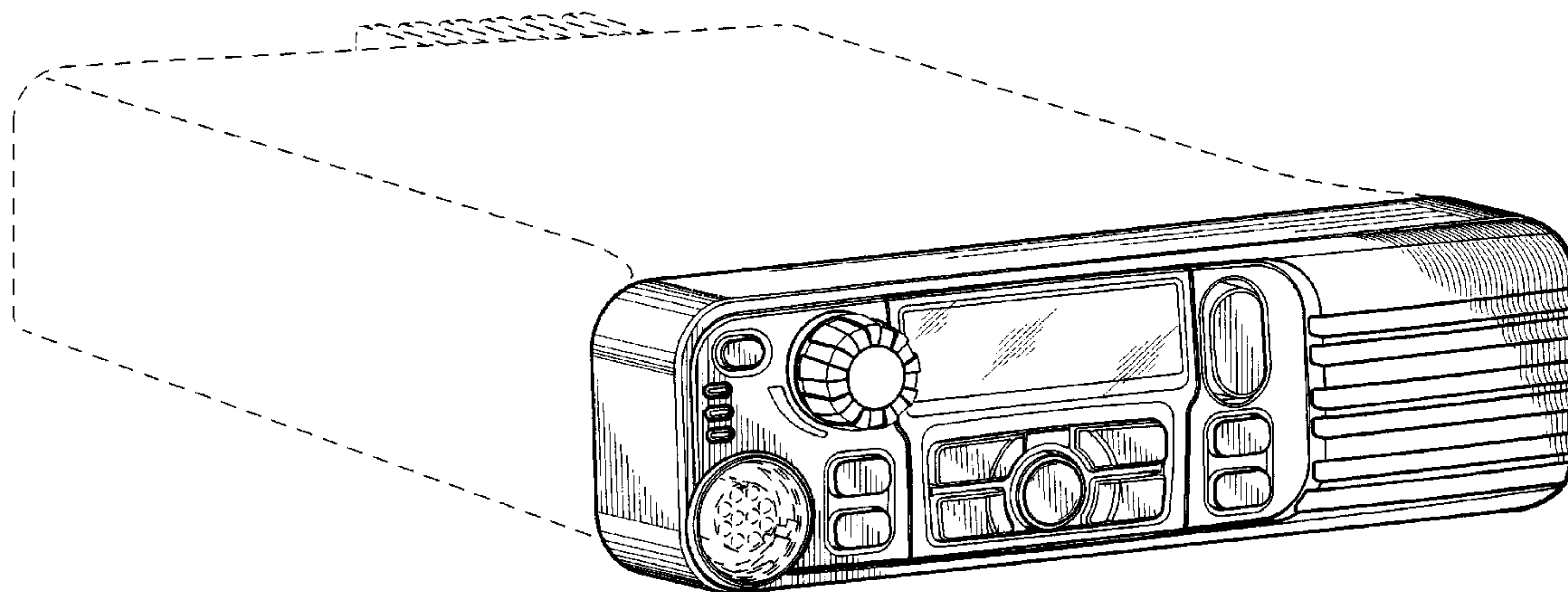
The ornamental design for radio communications device, as shown and described.

**DESCRIPTION**

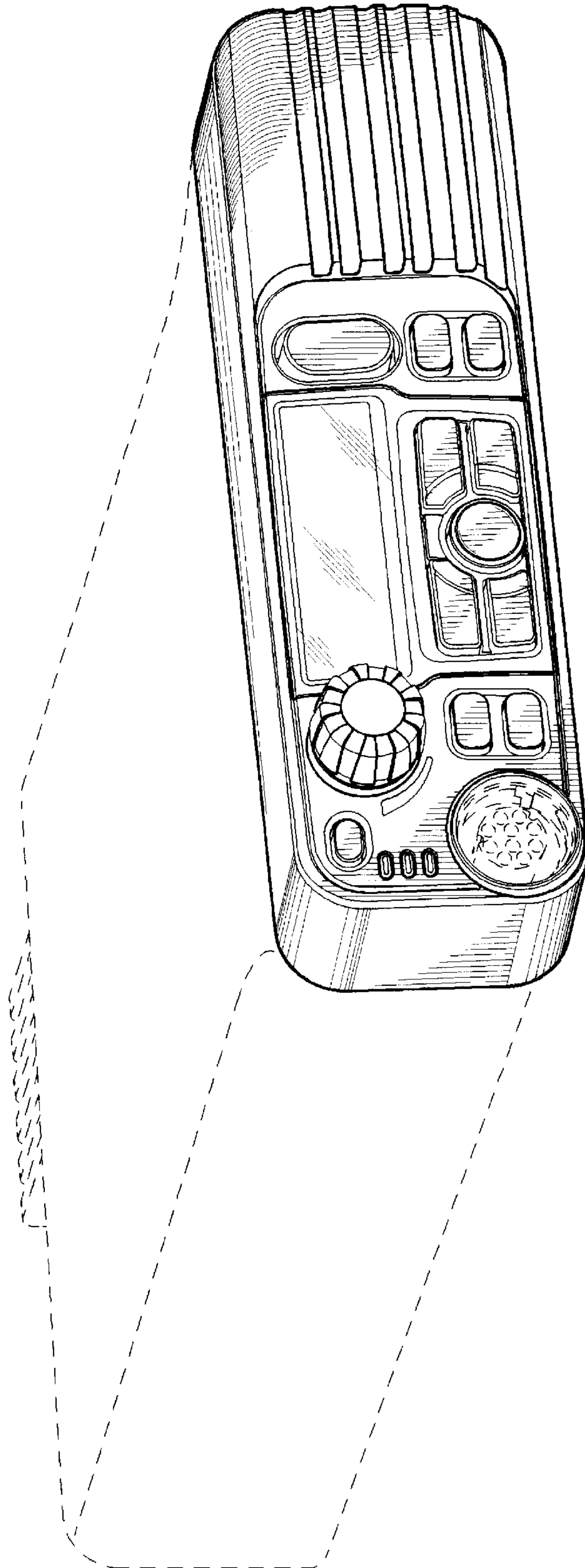
FIG. 1 is a perspective view of the radio communications device;  
FIG. 2 is a top plan view;  
FIG. 3 is a bottom plan view;  
FIG. 4 is a left-side elevational view;  
FIG. 5 is a right-side elevational view;  
FIG. 6 is a front elevational view; and,  
FIG. 7 is a rear elevational view.

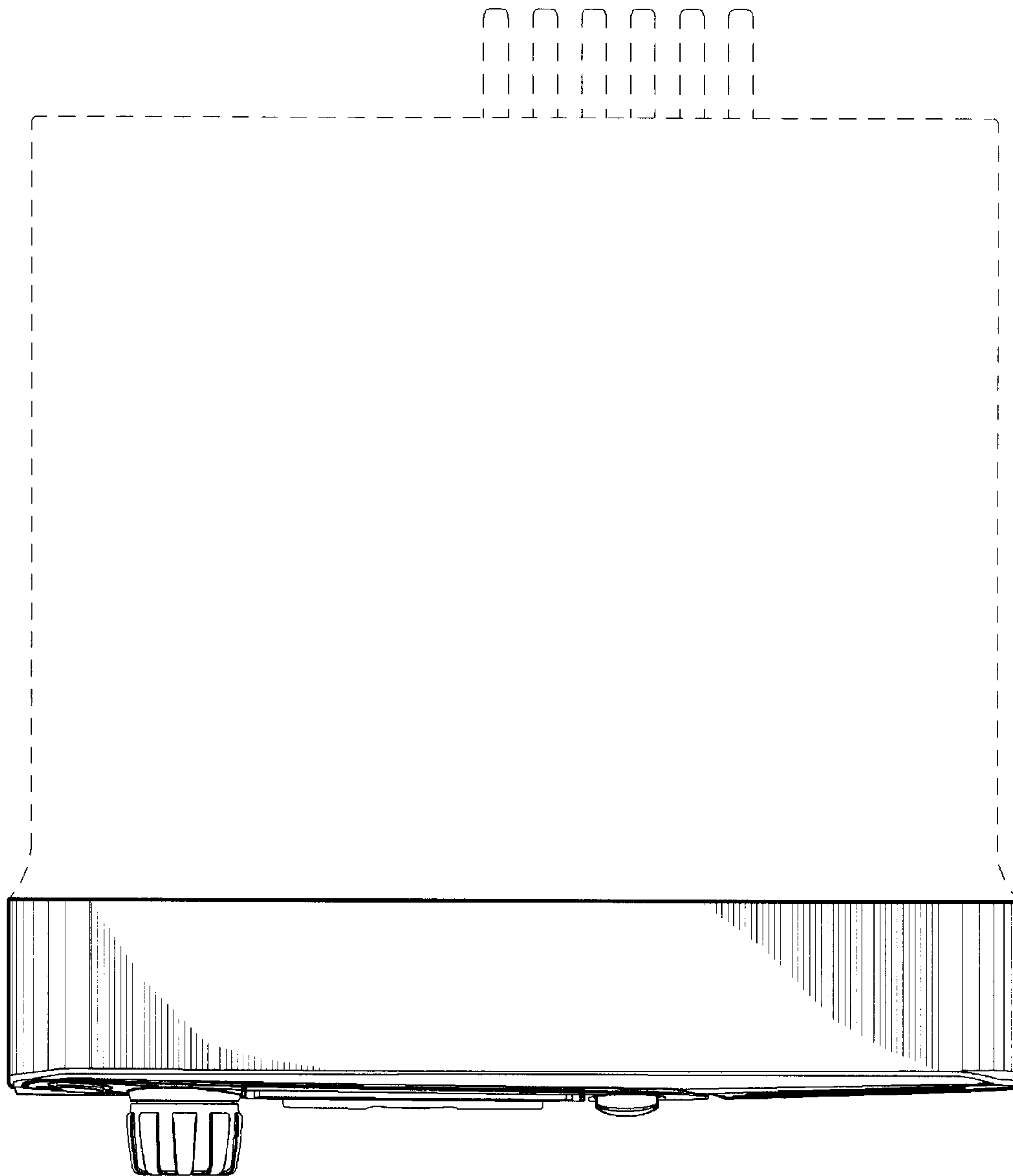
The broken lines, which define the bounds of the claimed design form no part thereof. The broken lines environmental are for illustrative purposes only and form no part of the claimed design.

**1 Claim, 5 Drawing Sheets**

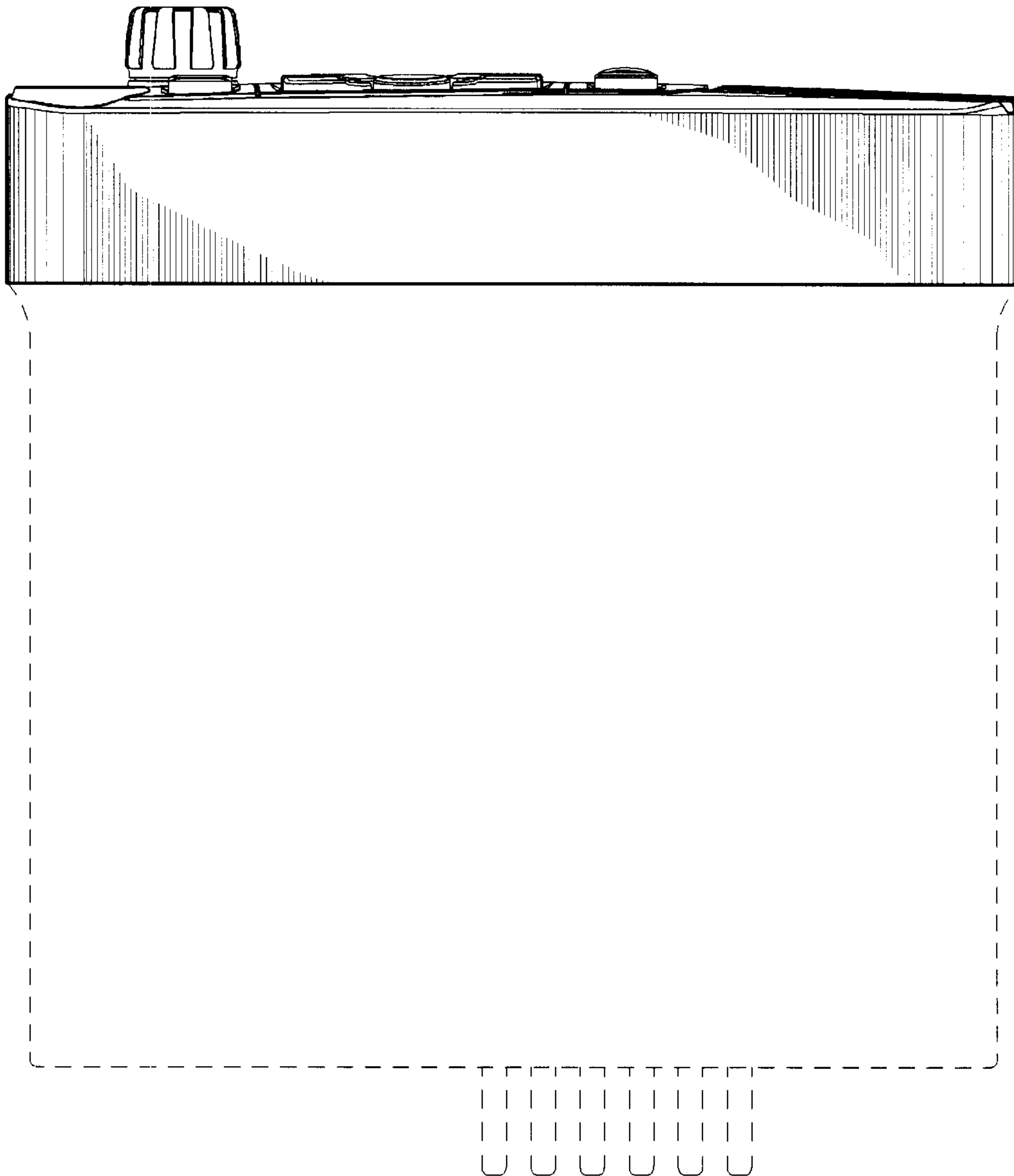


*FIG. 1*

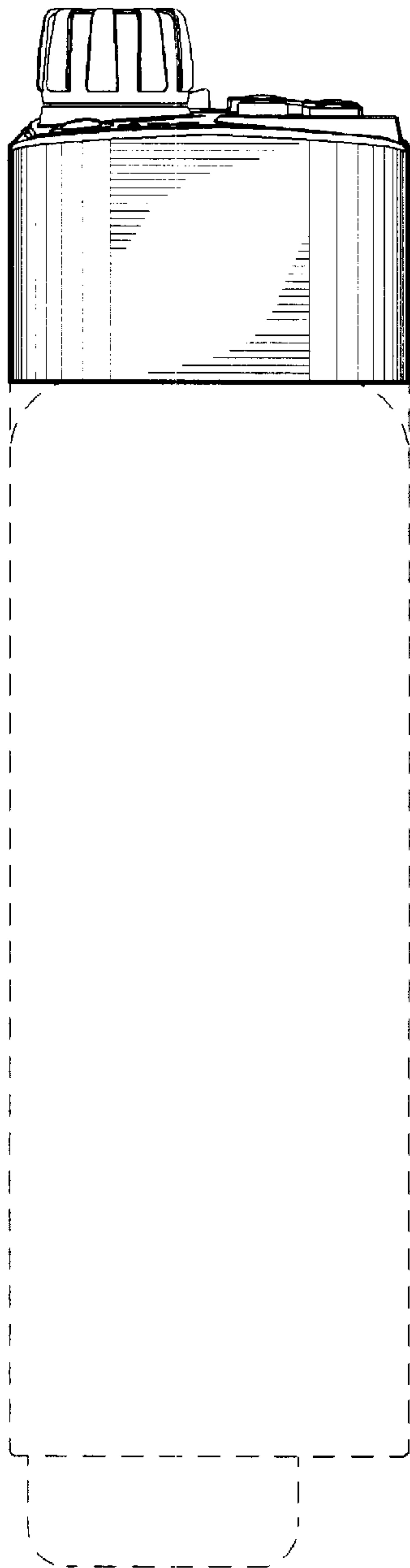




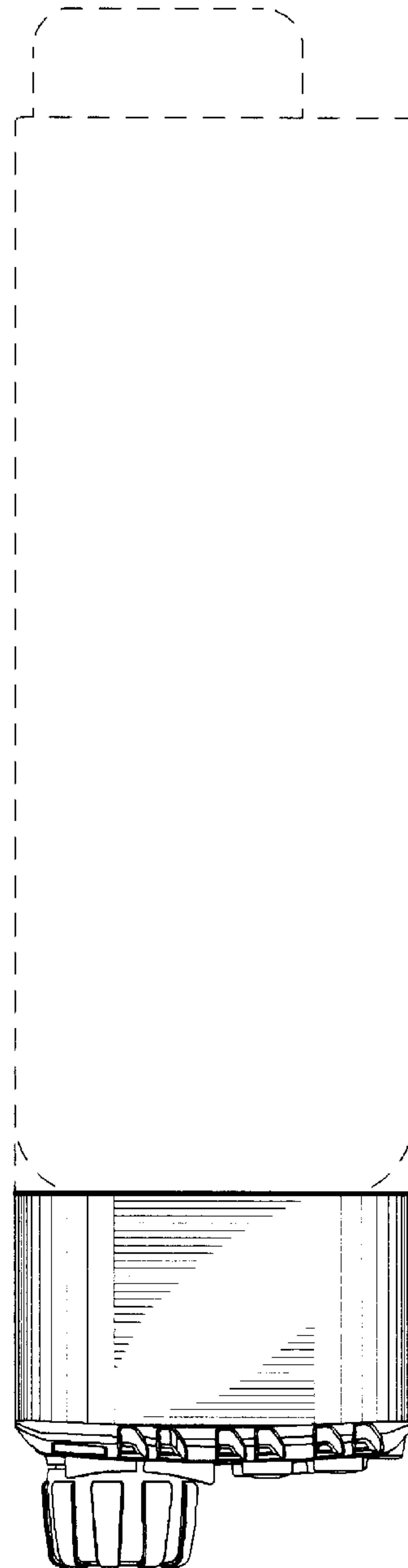
*FIG. 2*



*FIG. 3*

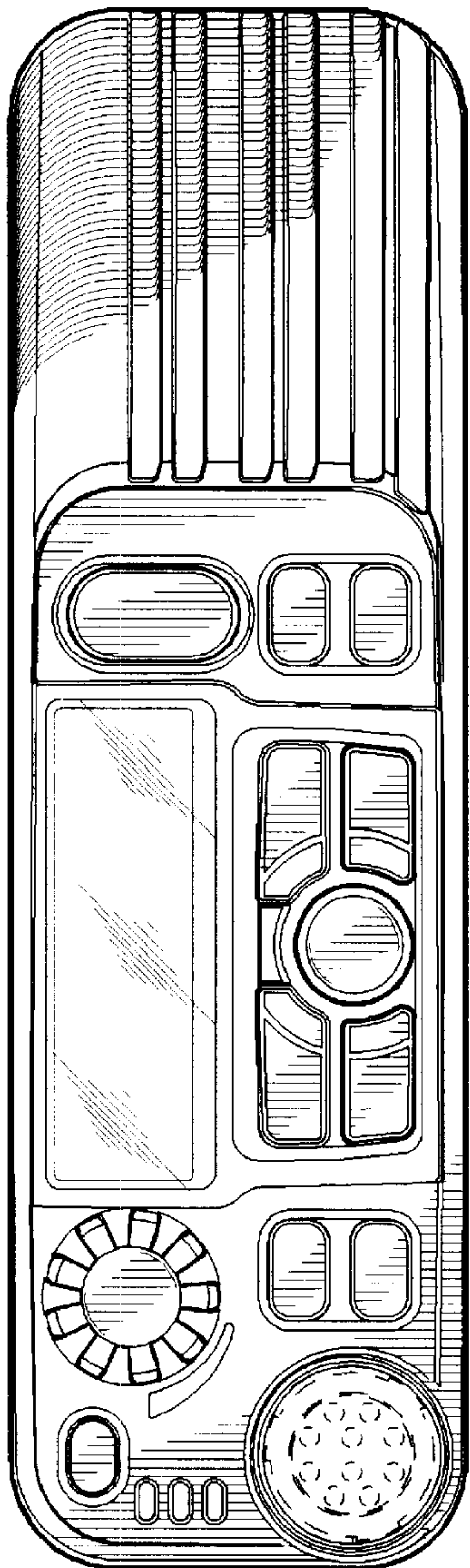


*FIG. 4*

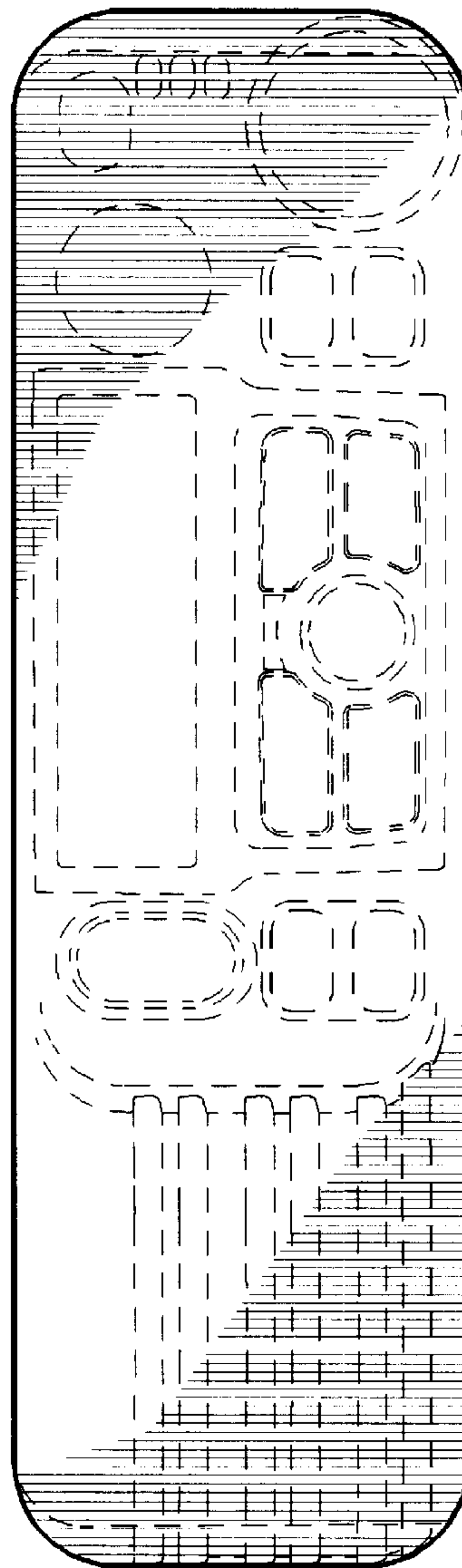


*FIG. 5*

*FIG. 6*



*FIG. 7*





UNITED STATES PATENT AND TRADEMARK OFFICE  
**CERTIFICATE OF CORRECTION**

PATENT NO. : Des. 531,163 S  
APPLICATION NO. : 29/228529  
DATED : October 31, 2006  
INVENTOR(S) : Kaner et al.

Page 1 of 1

It is certified that error appears in the above-identified patent and that said Letters Patent is hereby corrected as shown below:

Title page, item [73] add --MOTOROLA, INC.-- as the Assignee

Signed and Sealed this

Twenty-ninth Day of May, 2007

A handwritten signature in black ink on a light gray dotted background. The signature reads "Jon W. Dudas" in a cursive, stylized script.

JON W. DUDAS

*Director of the United States Patent and Trademark Office*