



US00D531159S

(12) **United States Design Patent**
Park

(10) **Patent No.:** **US D531,159 S**

(45) **Date of Patent:** **** Oct. 31, 2006**

(54) **MP3 PLAYER**

D451,080 S * 11/2001 Kataoka D14/156
D475,035 S * 5/2003 Takagi D14/156
D482,672 S * 11/2003 Takagi D14/156

(75) Inventor: **Sung Won Park**, Seoul (KR)

* cited by examiner

(73) Assignee: **Samsung Electronics Co., Ltd.**,
Suwon-si (KR)

Primary Examiner—Nanda Bondade

(**) Term: **14 Years**

(74) *Attorney, Agent, or Firm*—Staas & Halsey LLP

(21) Appl. No.: **29/228,146**

(57) **CLAIM**

(22) Filed: **Apr. 20, 2005**

The ornamental design for an MP3 player, as shown and described.

(30) **Foreign Application Priority Data**

DESCRIPTION

Oct. 20, 2004 (KR) 30-2004-0032168

FIG. 1 is a perspective view of an MP3 player showing my new design;

(51) **LOC (8) Cl.** **14-01**

FIG. 2 is a front elevational view thereof;

(52) **U.S. Cl.** **D14/156**; D14/496

FIG. 3 is a rear elevational view thereof;

(58) **Field of Classification Search** D14/135–136,
D14/156–157, 167–168, 192, 496, 445; 360/99.02,
360/99.07; 369/75.11, 75.21, 77.21, 77.11;
720/612, 619, 647, 655; 455/344, 347–351

FIG. 4 is a left side elevational view thereof;

FIG. 5 is a right side elevational view thereof;

FIG. 6 is a top plan view thereof; and,

FIG. 7 is a bottom plan view thereof.

See application file for complete search history.

The surface(s) or portion(s) of the article not shown in the drawing or described in the specification form(s) no part of the claimed design.

(56) **References Cited**

U.S. PATENT DOCUMENTS

D384,057 S * 9/1997 Lee et al. D14/135

1 Claim, 4 Drawing Sheets

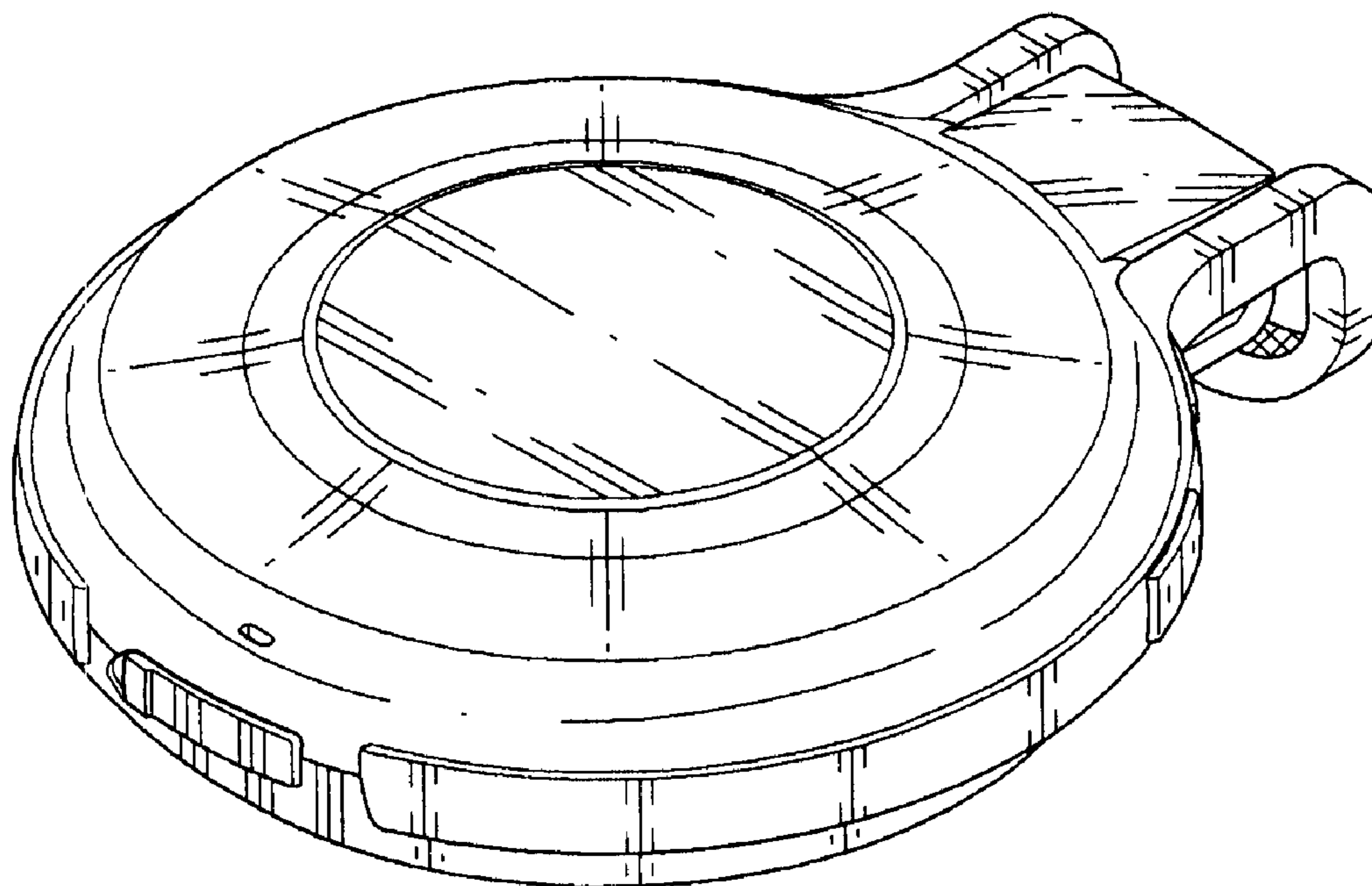


FIG. 1

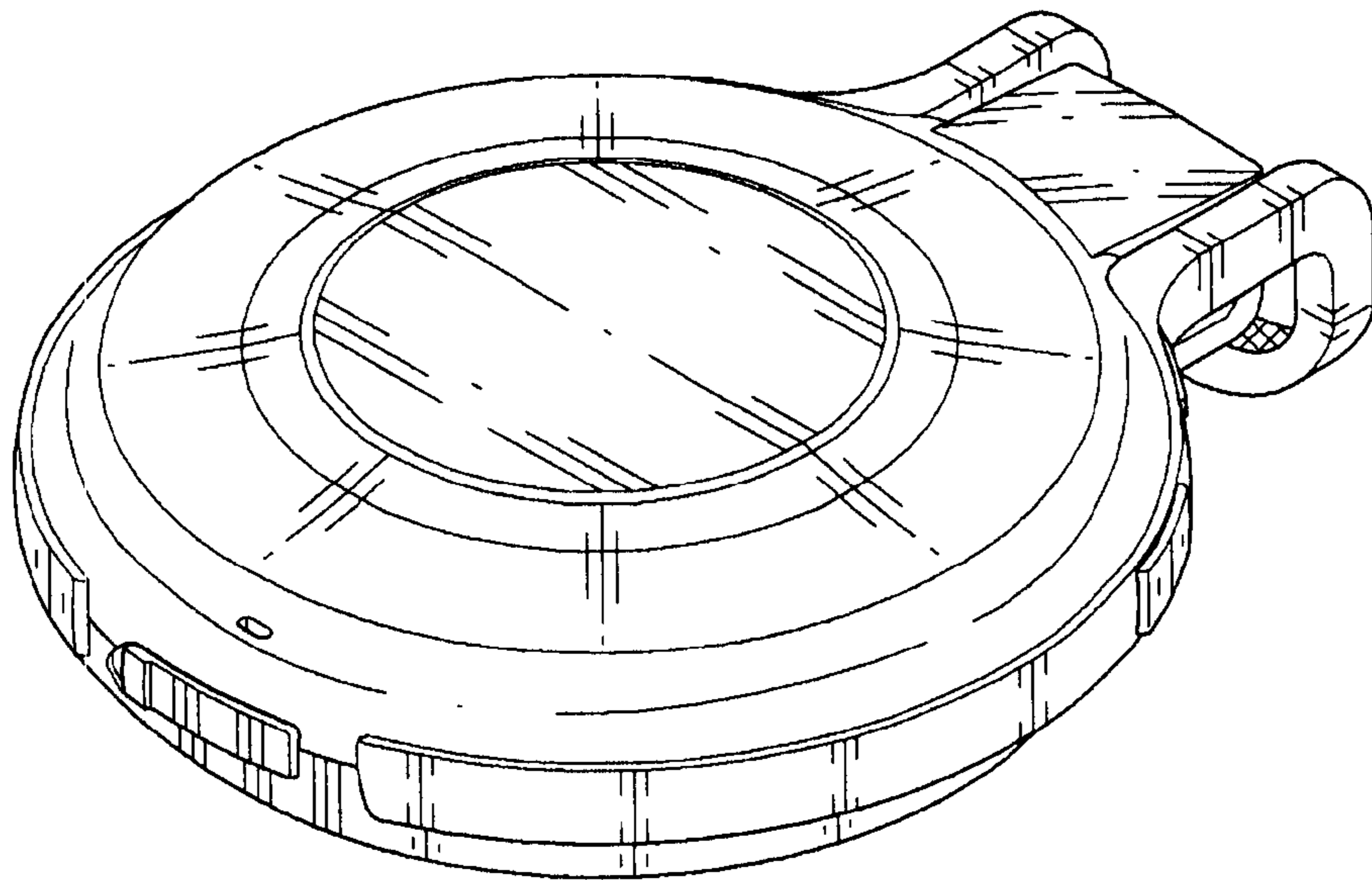


FIG.2

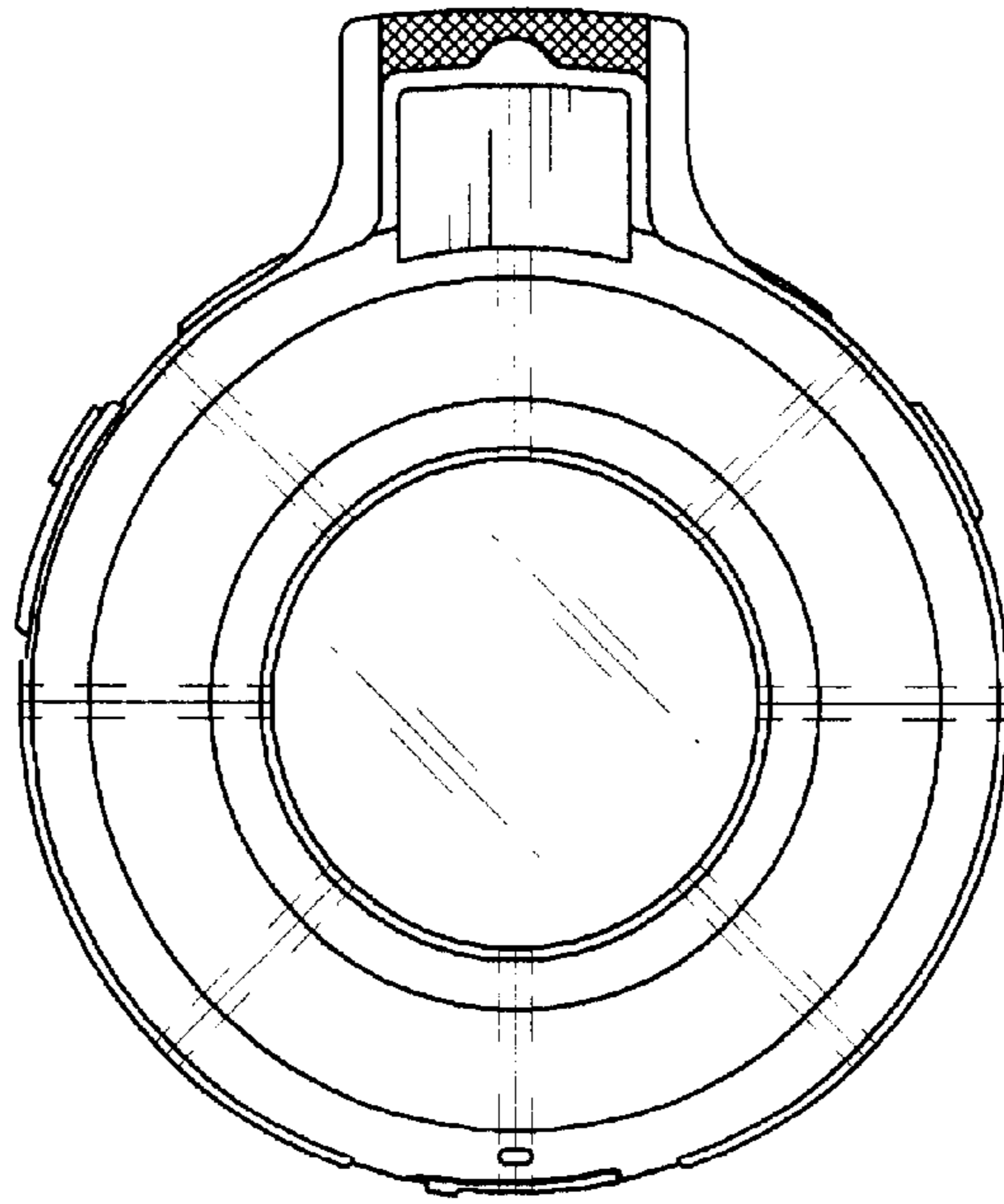


FIG.3

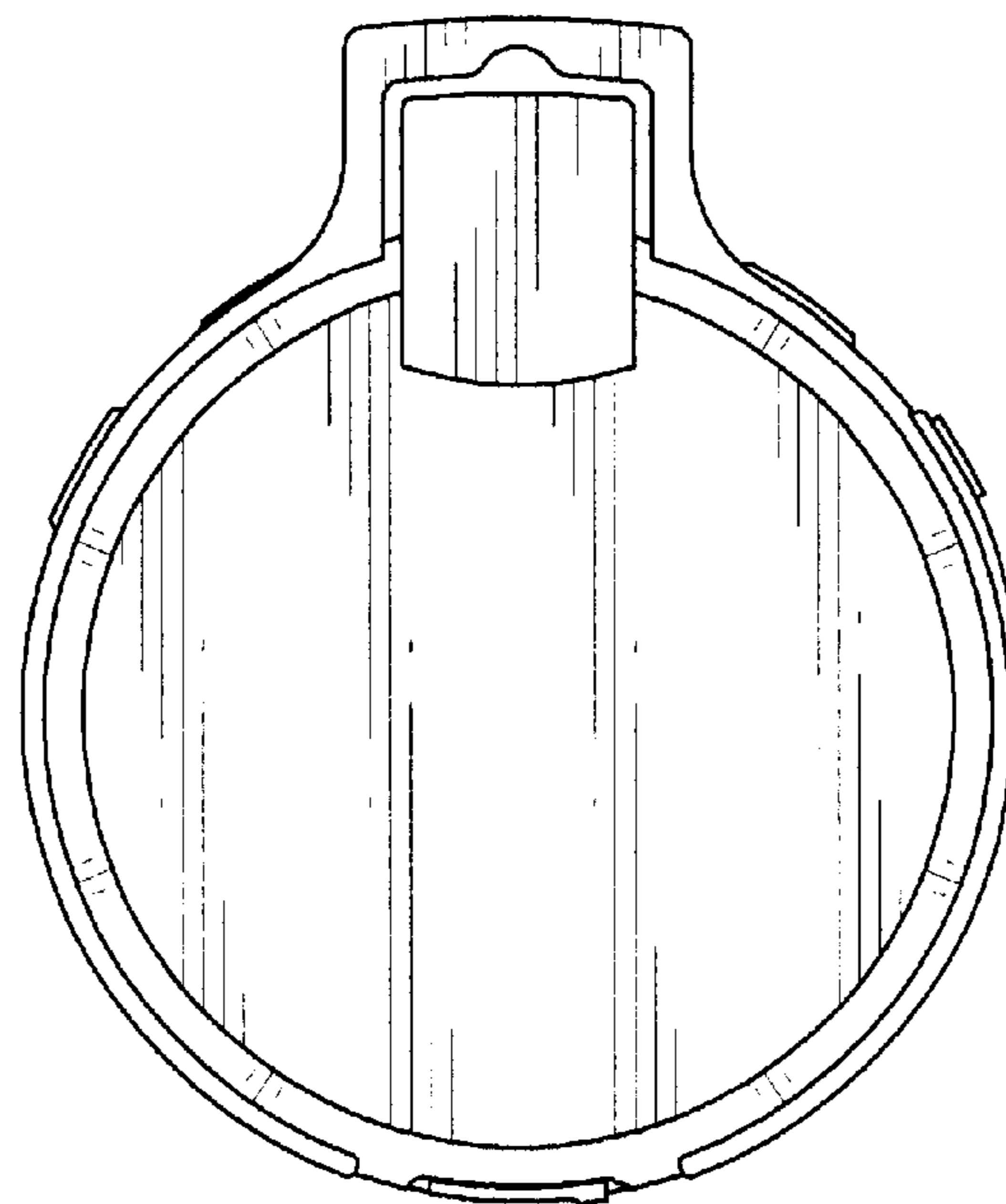


FIG.4

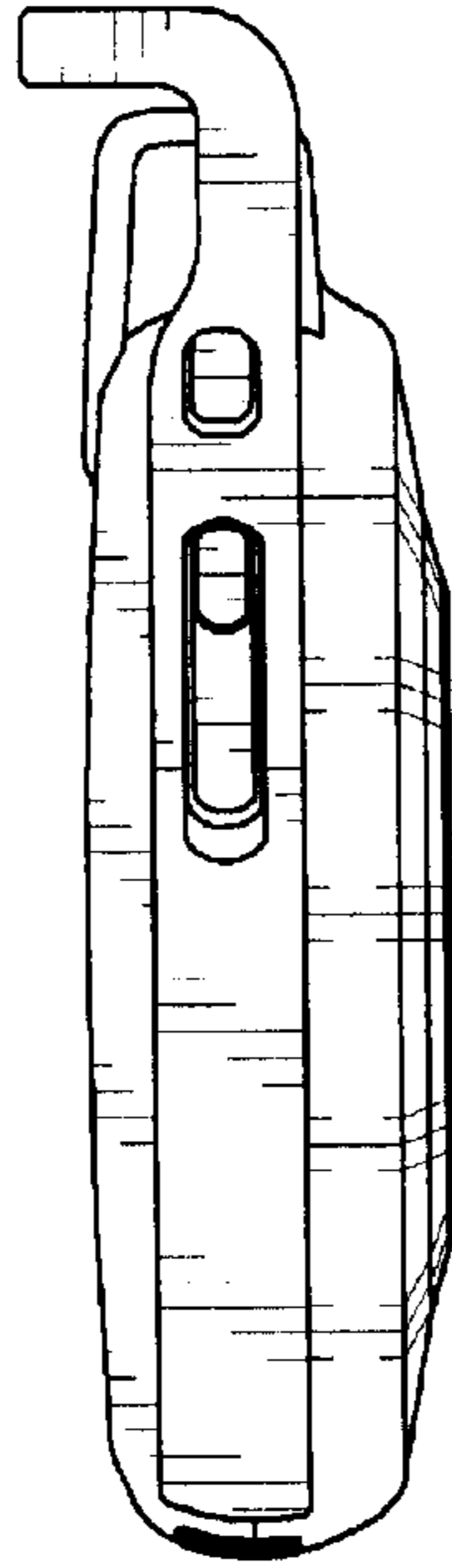


FIG.5

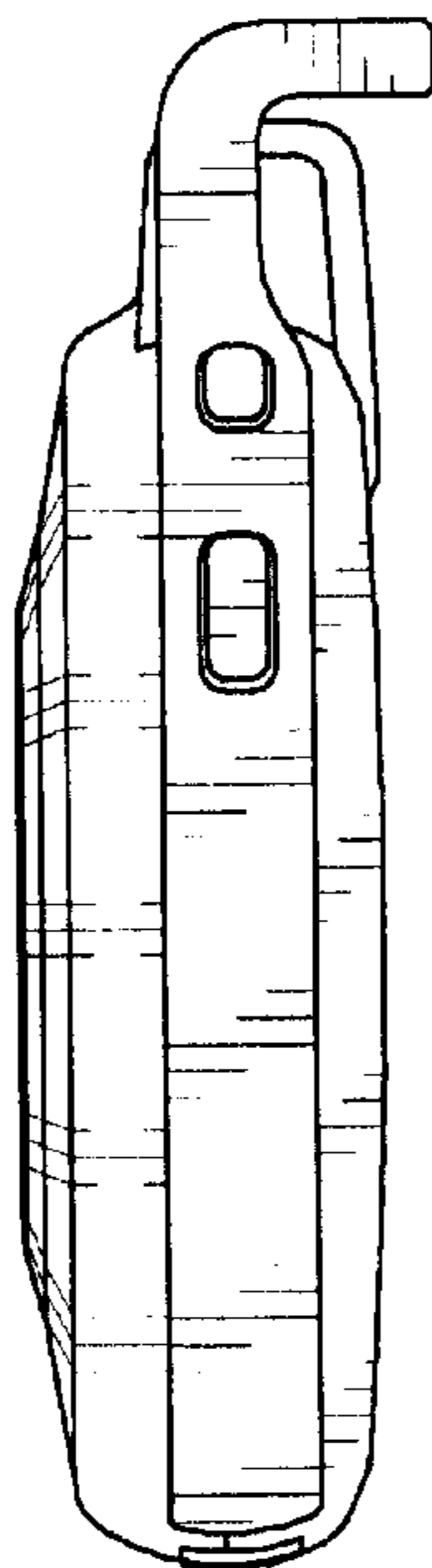


FIG.6

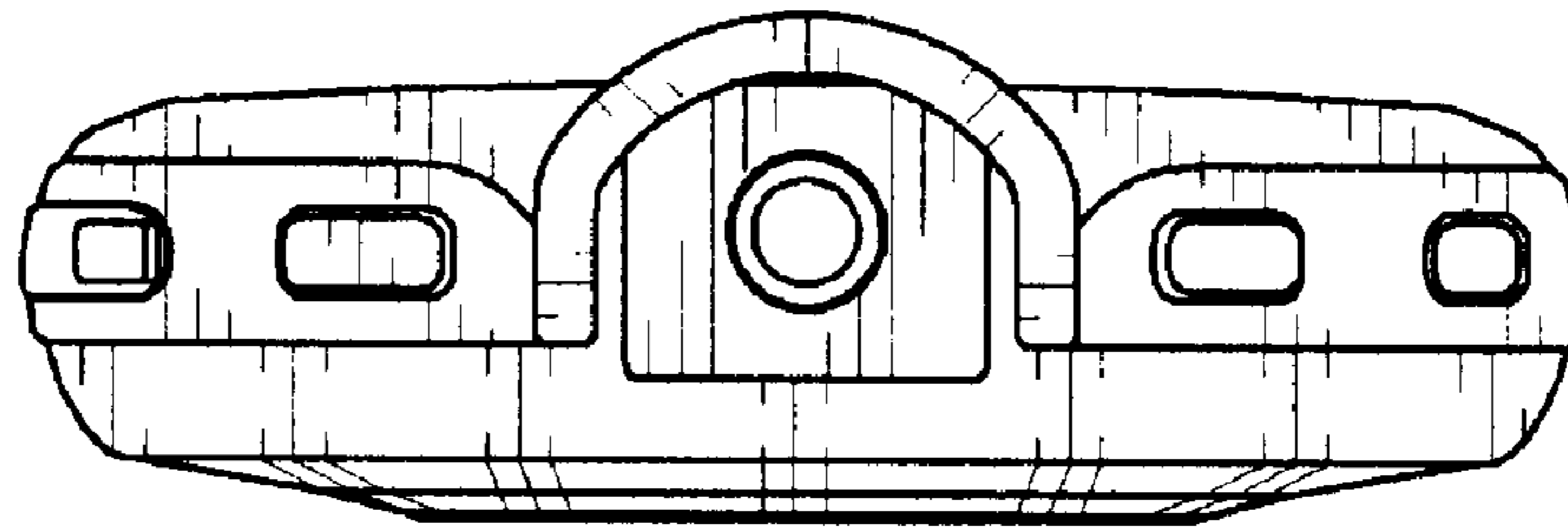


FIG.7

