



US00D531157S

(12) **United States Design Patent**
Lheem

(10) **Patent No.:** **US D531,157 S**

(45) **Date of Patent:** **** Oct. 31, 2006**

(54) **MOBILE PHONE**

(75) Inventor: **Ji Youn Lheem**, Seoul (KR)

(73) Assignee: **LG Electronics Inc.**, Seoul (KR)

(**) Term: **14 Years**

(21) Appl. No.: **29/238,338**

(22) Filed: **Sep. 15, 2005**

(30) **Foreign Application Priority Data**

Mar. 16, 2005 (KR) 30-2005-0008573

(51) **LOC (8) Cl.** **14-03**

(52) **U.S. Cl.** **D14/138; D14/496**

(58) **Field of Classification Search** D14/137,
D14/138, 147-148, 247-248, 144, 496, 156,
D14/341-347, 191, 192; 379/433.01-433.13;
455/575.4, 566, 575.1, 556.1, 556.2, 90.3;
D21/329, 331, 333; D16/208

See application file for complete search history.

(56) **References Cited**

U.S. PATENT DOCUMENTS

D257,003 S	*	9/1980	Yamagami et al.	D10/30
D326,452 S	*	5/1992	Roegner	D14/138
D353,594 S	*	12/1994	Kawano et al.	D14/191
D357,919 S	*	5/1995	Tsui	D14/218
D405,082 S	*	2/1999	Shibata	D14/156
D441,735 S	*	5/2001	Katayama	D14/156
D442,156 S	*	5/2001	Lee	D14/138
D460,053 S	*	7/2002	Choi	D13/168
D464,941 S	*	10/2002	Latto et al.	D14/156
D467,891 S	*	12/2002	Tokioka et al.	D14/156
D469,109 S	*	1/2003	Andre et al.	D14/496
D469,417 S	*	1/2003	Hsu	D14/142
D469,418 S	*	1/2003	Hsu	D14/142
D475,382 S	*	6/2003	Horikiri	D16/202
D478,889 S	*	8/2003	Kulkarni	D14/160
D480,372 S	*	10/2003	Chen et al.	D14/136
D480,741 S	*	10/2003	Berger et al.	D16/202
D489,051 S	*	4/2004	Shiraki et al.	D14/156
D489,052 S	*	4/2004	Shiraki et al.	D14/156

D490,455 S	*	5/2004	Chen	D16/202
D494,188 S	*	8/2004	Huang	D14/496
D496,674 S	*	9/2004	Hayashi	D16/202
D499,424 S	*	12/2004	Bahroocha	D14/496
D502,164 S	*	2/2005	Ko et al.	D14/156
D508,863 S	*	8/2005	Wallenberg	D10/106
D512,073 S	*	11/2005	Rodarte	D14/496
D513,265 S	*	12/2005	Chan	D14/496
D514,080 S	*	1/2006	Chauhan	D14/138
D516,579 S	*	3/2006	Nakamura	D14/496
D518,019 S	*	3/2006	Ching	D14/156
D520,519 S	*	5/2006	Chin et al.	D14/496

OTHER PUBLICATIONS

BenQ Z2 telephone, announced 1st quarter 2005, [online], [retrieved on May 12, 2006]. Retrieved from Internet ,URL:<http://www.gsmarena.com>>.*

NEC N910 telephone, announced first quarter 2004, [online], [retrieved on May 12, 2006]. Retrieved from Internet ,URL:<http://www.gsmarena.com>>.*

NEC N200 telephone, announced first quarter 2005, [online], [retrieved on May 12, 2006]. Retrieved from Internet ,URL:<http://www.gsmarena.com>>.*

* cited by examiner

Primary Examiner—Jeffrey Asch

(74) *Attorney, Agent, or Firm*—Birch, Stewart, Kolasch, and Birch, LLP

(57) **CLAIM**

The ornamental design for a mobile phone, as shown and described.

DESCRIPTION

FIG. 1 is a perspective view of a mobile phone showing my (our) new design;

FIG. 2 is a front view thereof;

FIG. 3 is a rear view thereof;

FIG. 4 is a left side view thereof;

FIG. 5 is a right side view thereof;

FIG. 6 is a top plan view thereof; and,

FIG. 7 is a bottom plan view thereof.

1 Claim, 4 Drawing Sheets

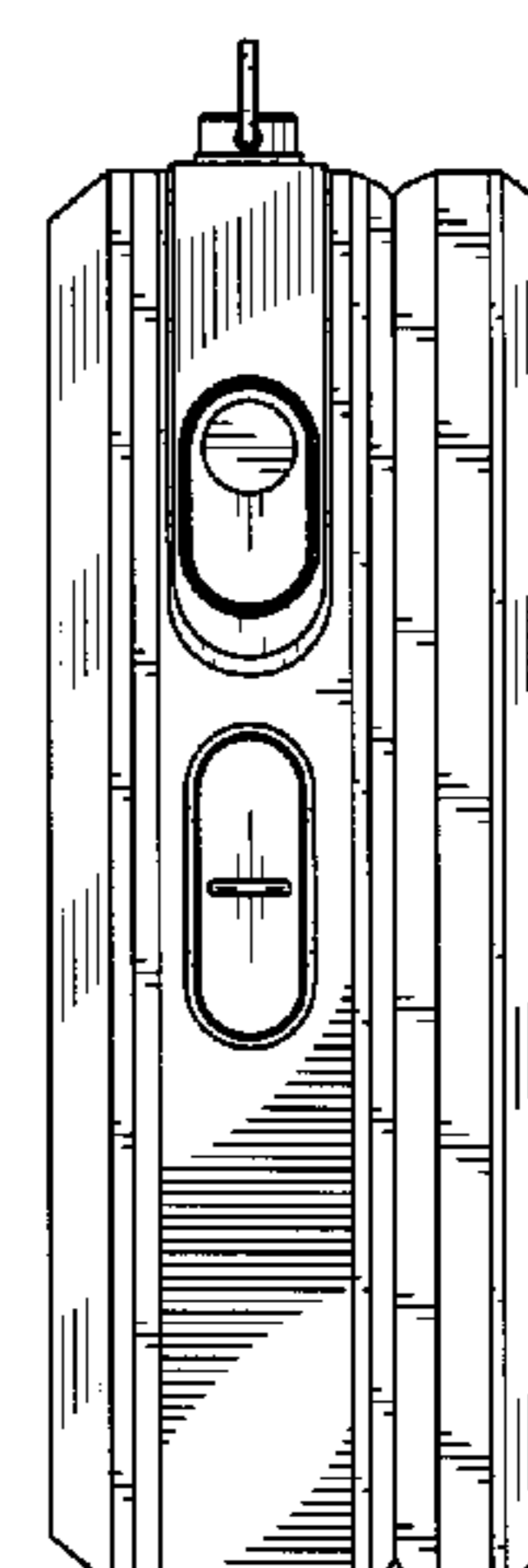
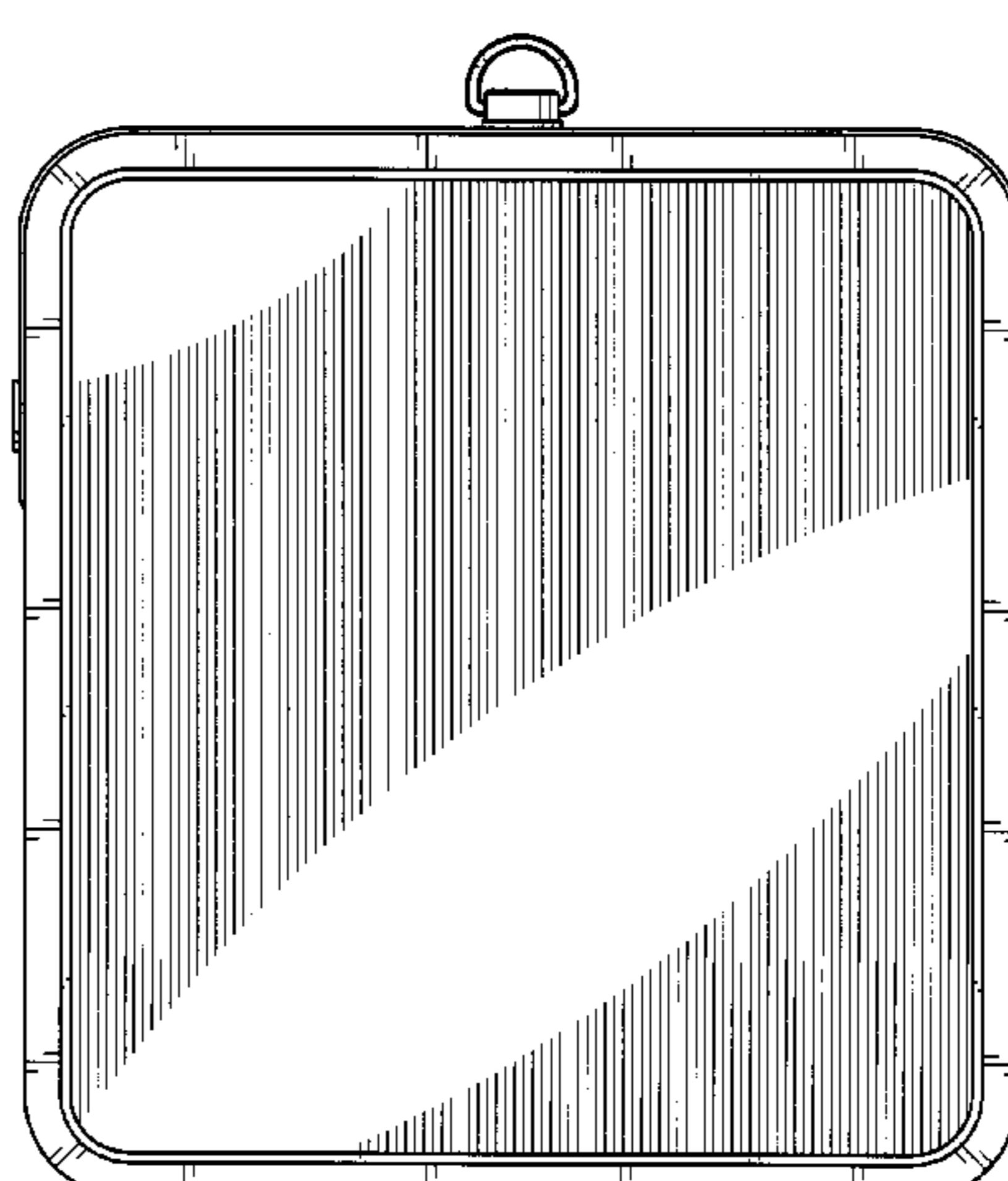
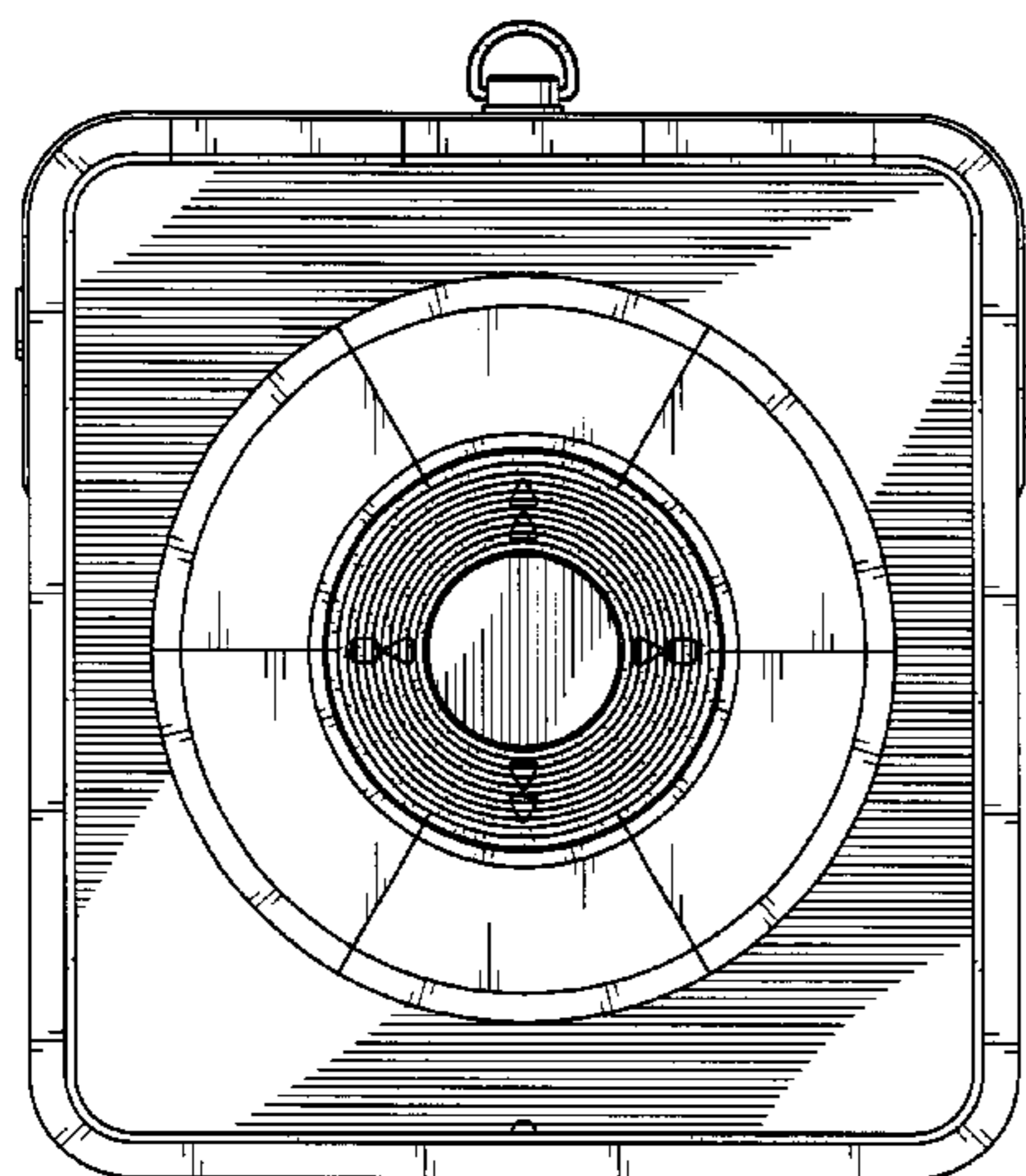


FIG. 1

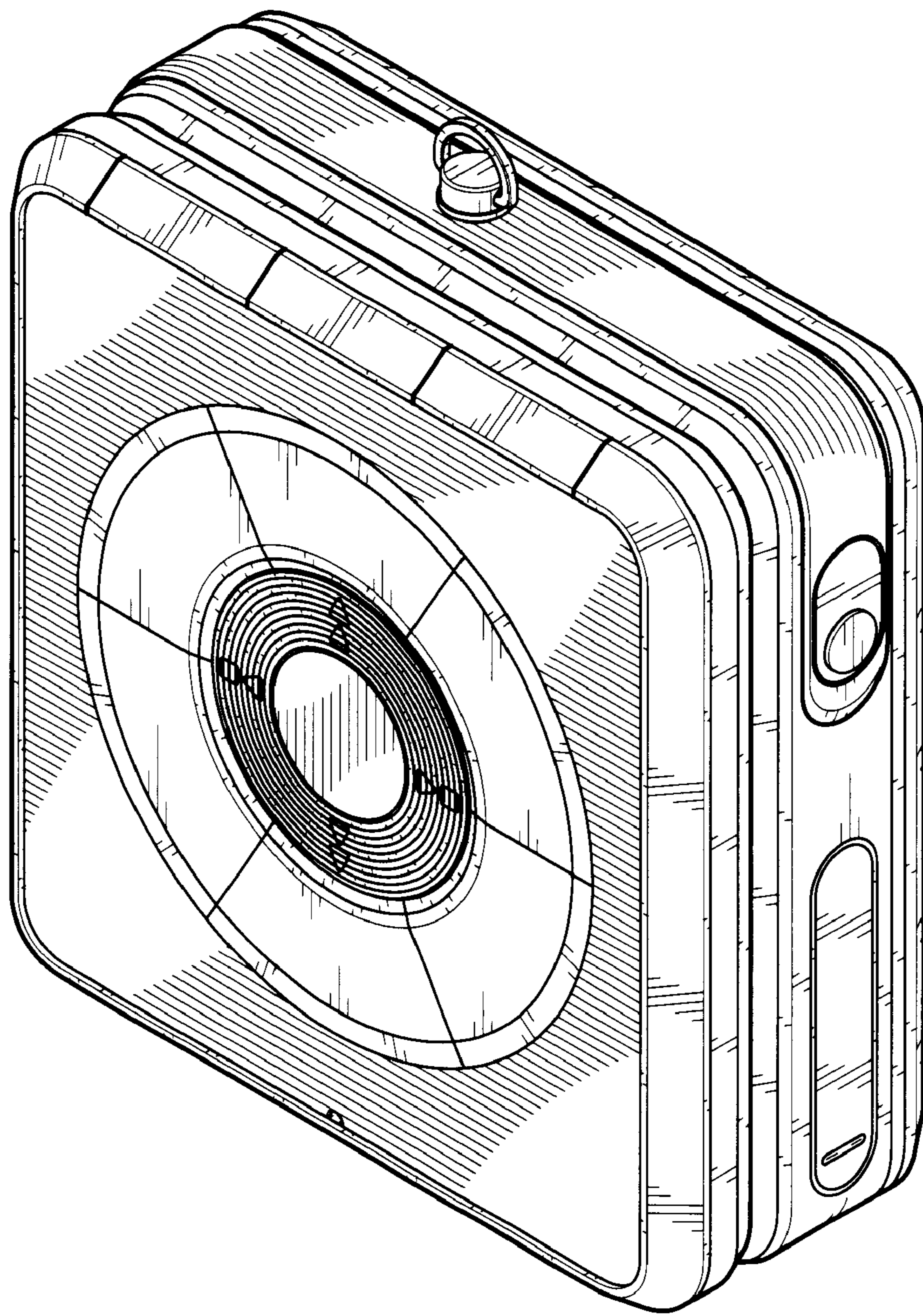


FIG. 2

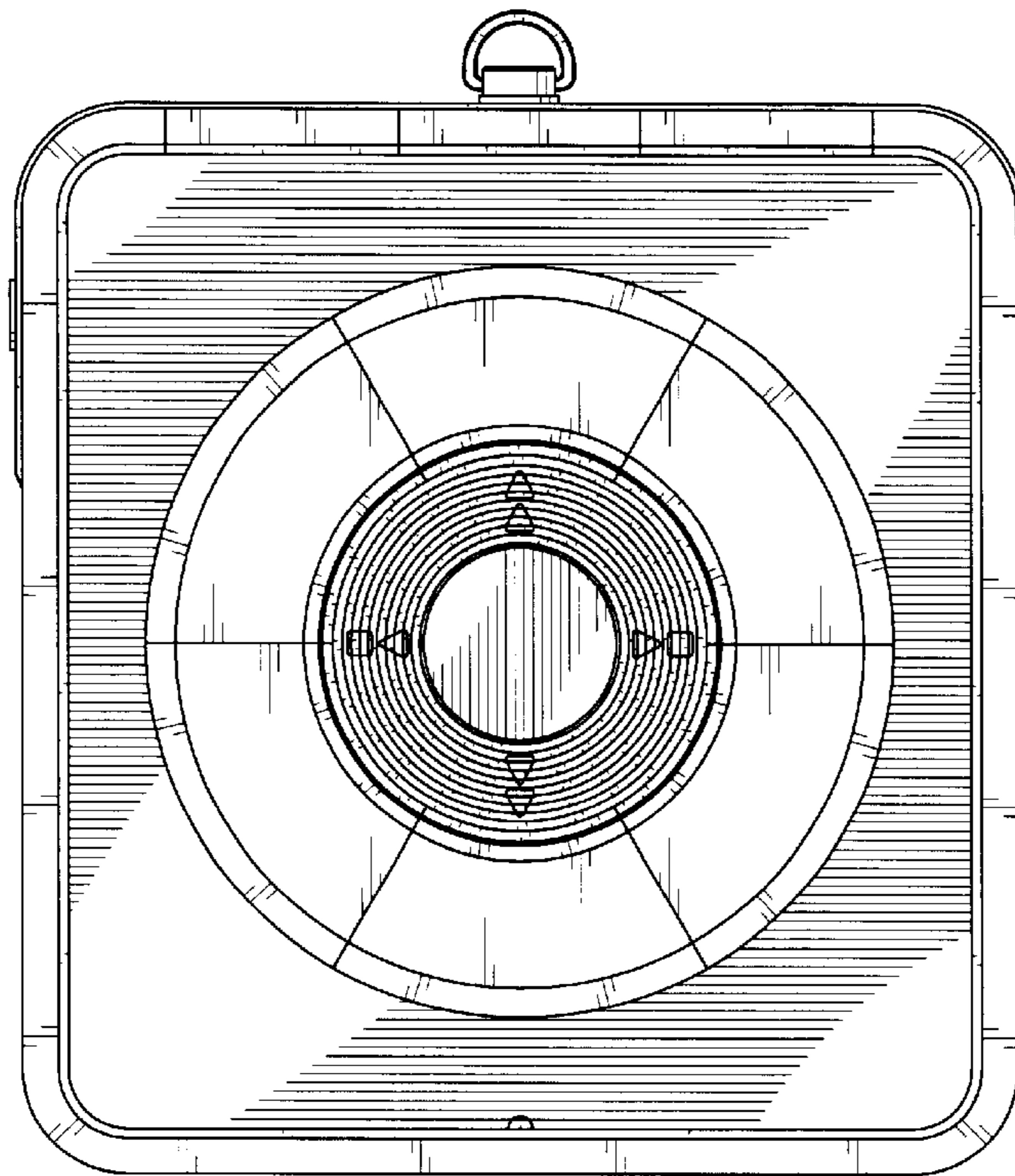


FIG. 3

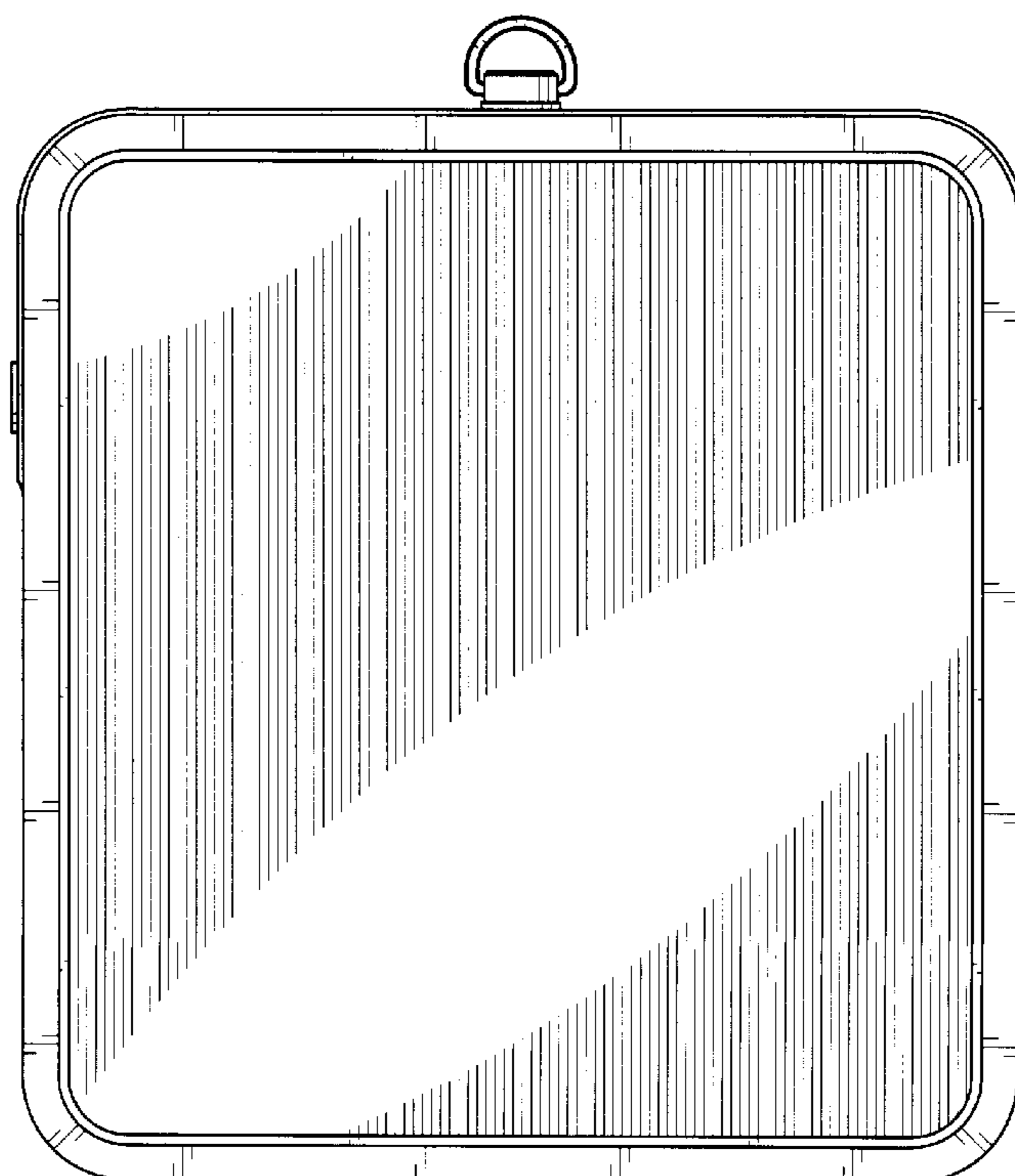


FIG. 4

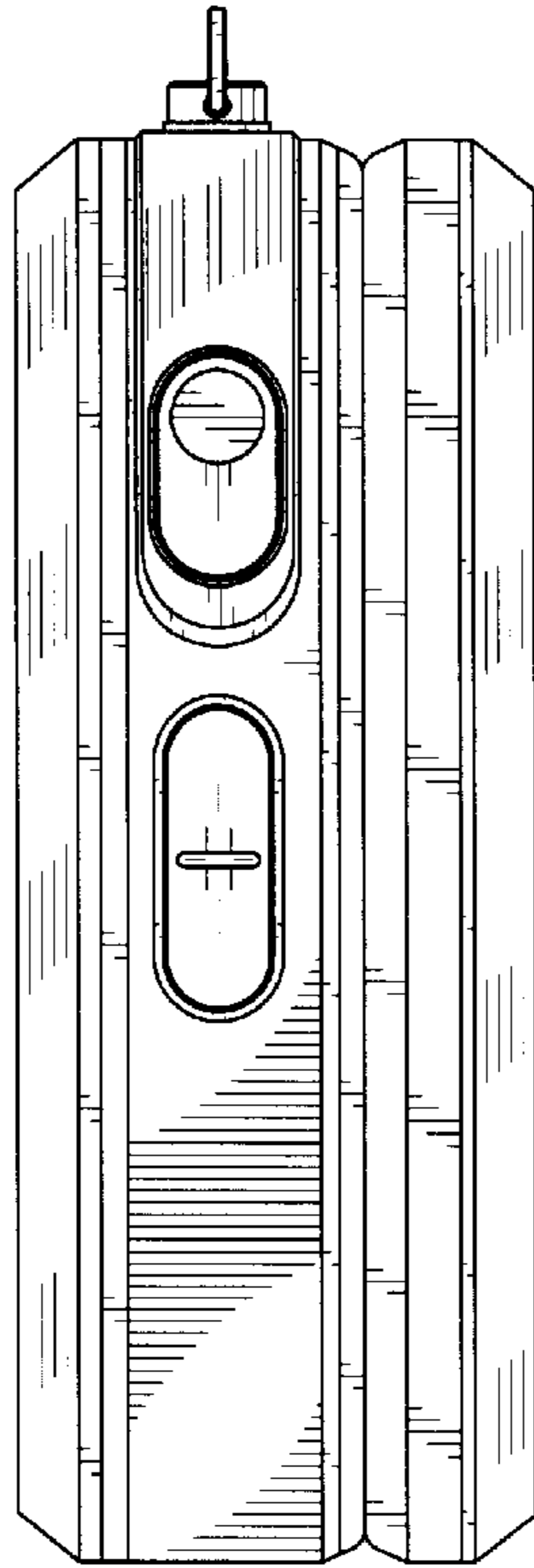


FIG. 5

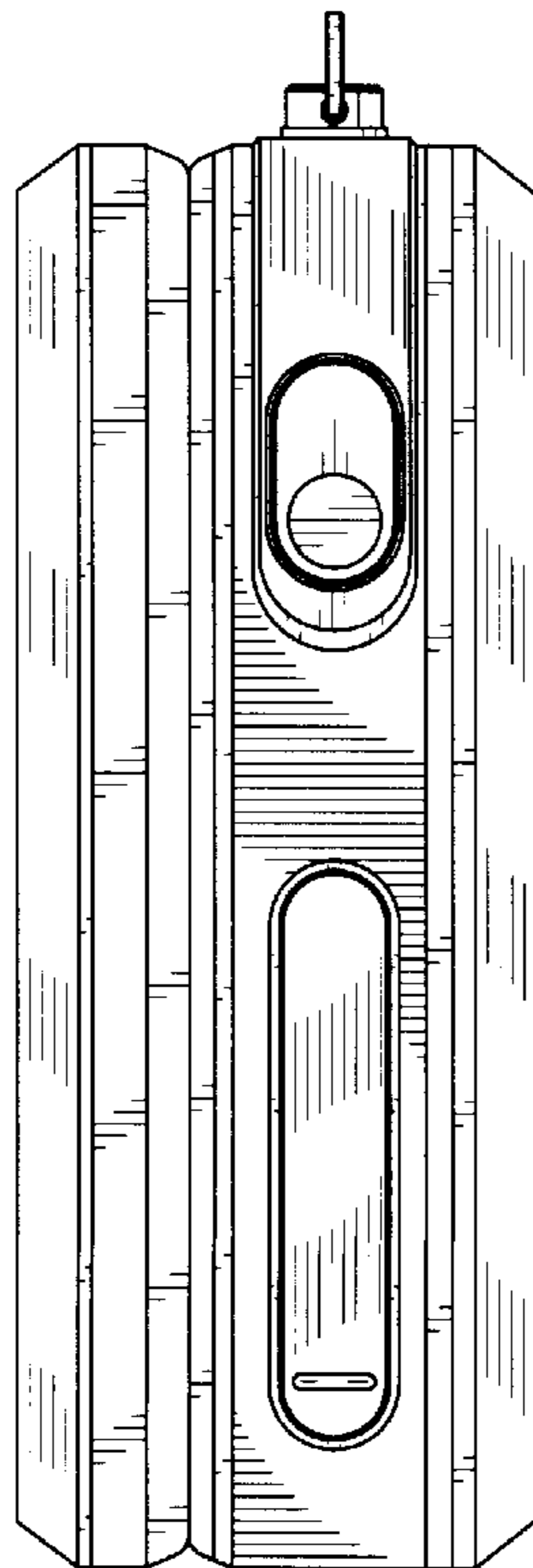


FIG. 6

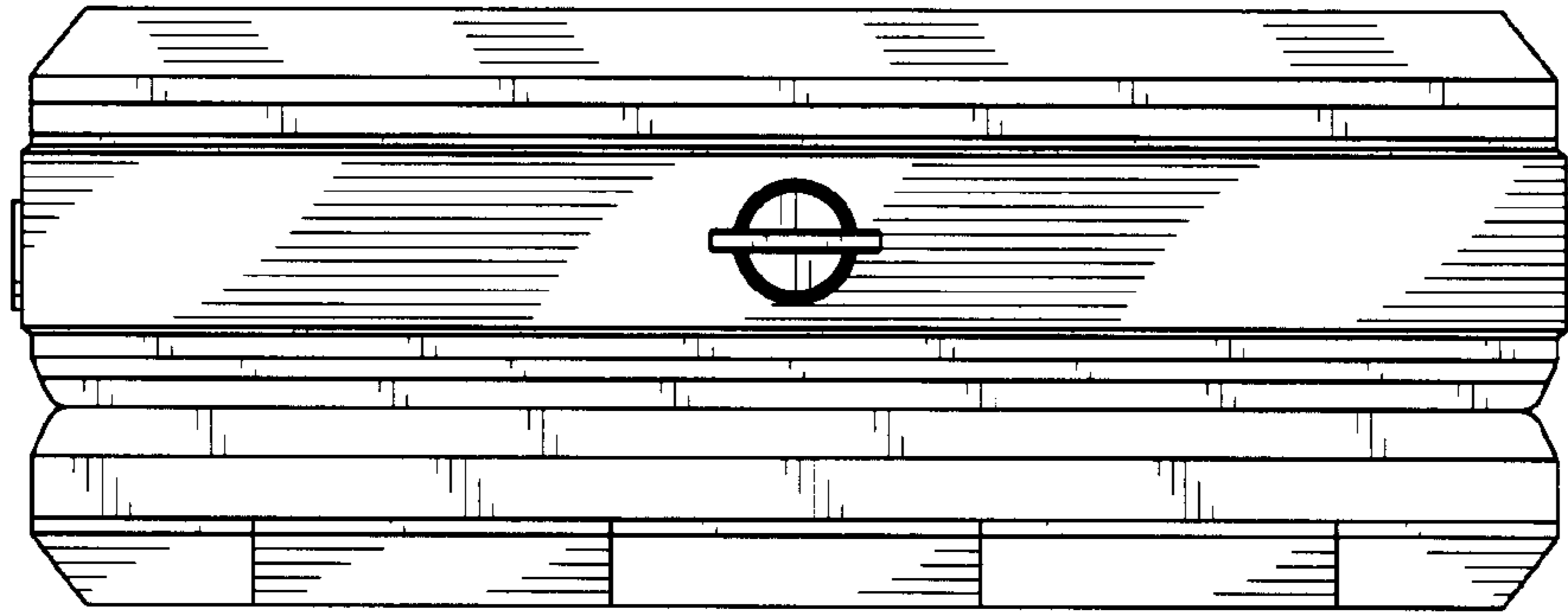


FIG. 7

