



US00D531151S

(12) **United States Design Patent**
Yoshida

(10) **Patent No.:** **US D531,151 S**

(45) **Date of Patent:** **** Oct. 31, 2006**

(54) **DISC RECORDER**

(75) Inventor: **Shigenori Yoshida**, Tokyo (JP)

(73) Assignee: **Sony Corporation**, Tokyo (JP)

(**) Term: **14 Years**

(21) Appl. No.: **29/230,015**

(22) Filed: **May 17, 2005**

(51) **LOC (8) Cl.** **14-01**

(52) **U.S. Cl.** **D14/136**

(58) **Field of Classification Search** D14/135-136,
D14/156-157, 160-165, 167-168, 193-198,
D14/188, 217, 257, 258, 445; 360/99.02,
360/99.07; 369/75.11, 75.21, 77.21, 77.11;
720/612, 619, 647, 655; 455/344, 347-351

See application file for complete search history.

(56) **References Cited**

U.S. PATENT DOCUMENTS

| | | | |
|------------|-----------|--------------|---------|
| D429,706 S | 8/2000 | Miyazaki | |
| D466,876 S | * 12/2002 | Usami et al. | D14/136 |
| D472,534 S | * 4/2003 | Ueno et al. | D14/136 |
| D483,728 S | * 12/2003 | Kim | D14/136 |
| D494,150 S | * 8/2004 | Wu | D14/136 |
| D502,696 S | 3/2005 | Ishibashi | |

OTHER PUBLICATIONS

Web page "SLV-D33V" <http://www.ecat.sony.co.jp/visual/video/products/index.cfm?PD=10258&KM=SLV-D33V>, 1 sheet, Sony Marketing (Japan) Inc. (Dec. 2004).

Web page "NV-VP51S" <http://prodb.matsushita.co.jp/product/info.do?pg=04&hb=Nv-VP51S>, 1 sheet, Matsushita Electric Industrial Co., Ltd. (Dec. 2004).

Web page "DV-RV7000" www.yodobashi.com, 1 sheet, Yodobashi Camera (Mar. 2005).

* cited by examiner

Primary Examiner—Nanda Bondade

(74) *Attorney, Agent, or Firm*—Rader, Fishman & Grauer PLLC

(57) **CLAIM**

The ornamental design for a disc recorder, as shown.

DESCRIPTION

FIG. 1 is a perspective view of a disc recorder showing my new design;

FIG. 2 is a front elevational view thereof;

FIG. 3 is a rear elevational view thereof;

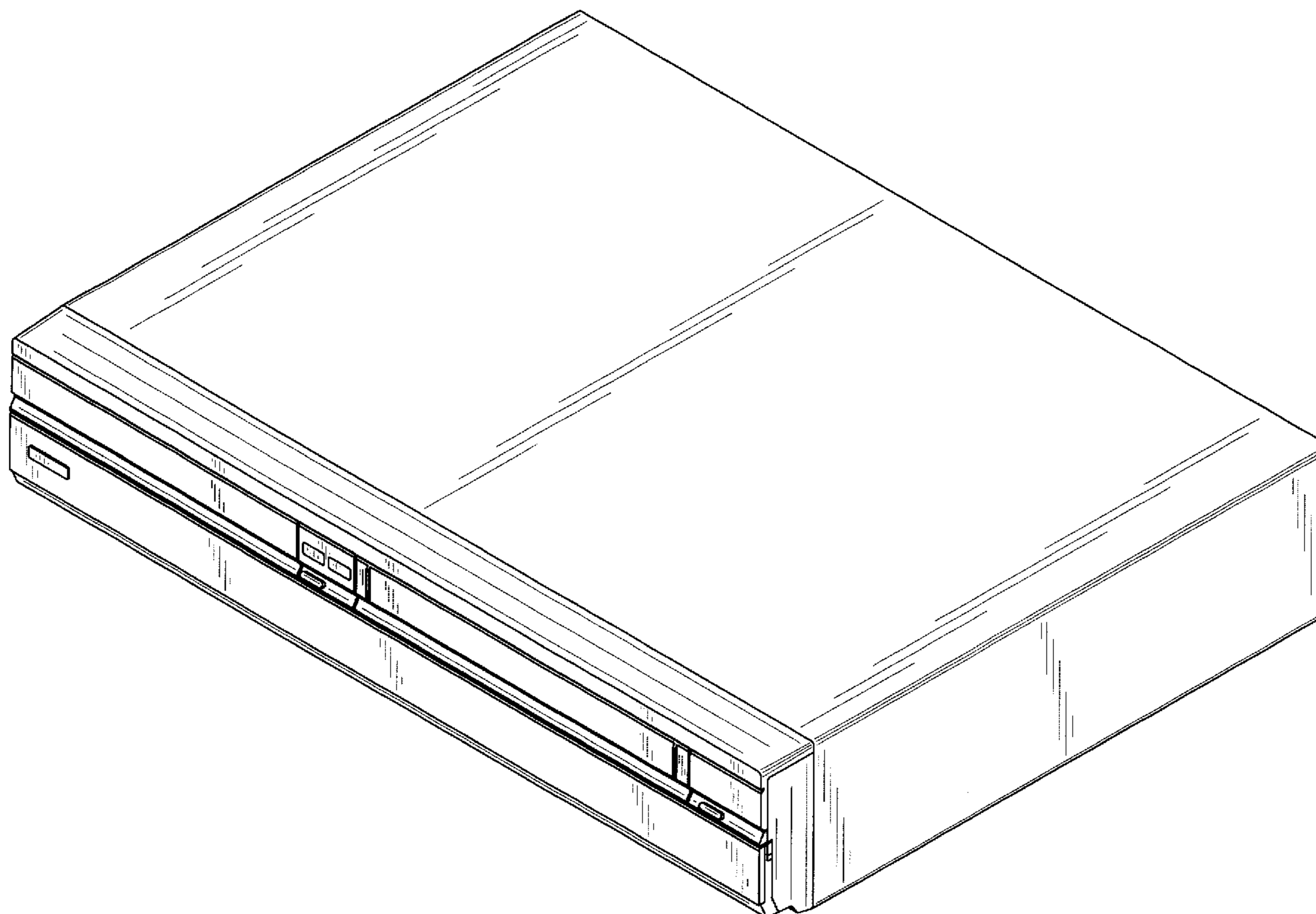
FIG. 4 is a left side elevational view thereof;

FIG. 5 is a right side elevational view thereof;

FIG. 6 is a top plan view thereof; and,

FIG. 7 is a bottom plan view thereof.

1 Claim, 7 Drawing Sheets



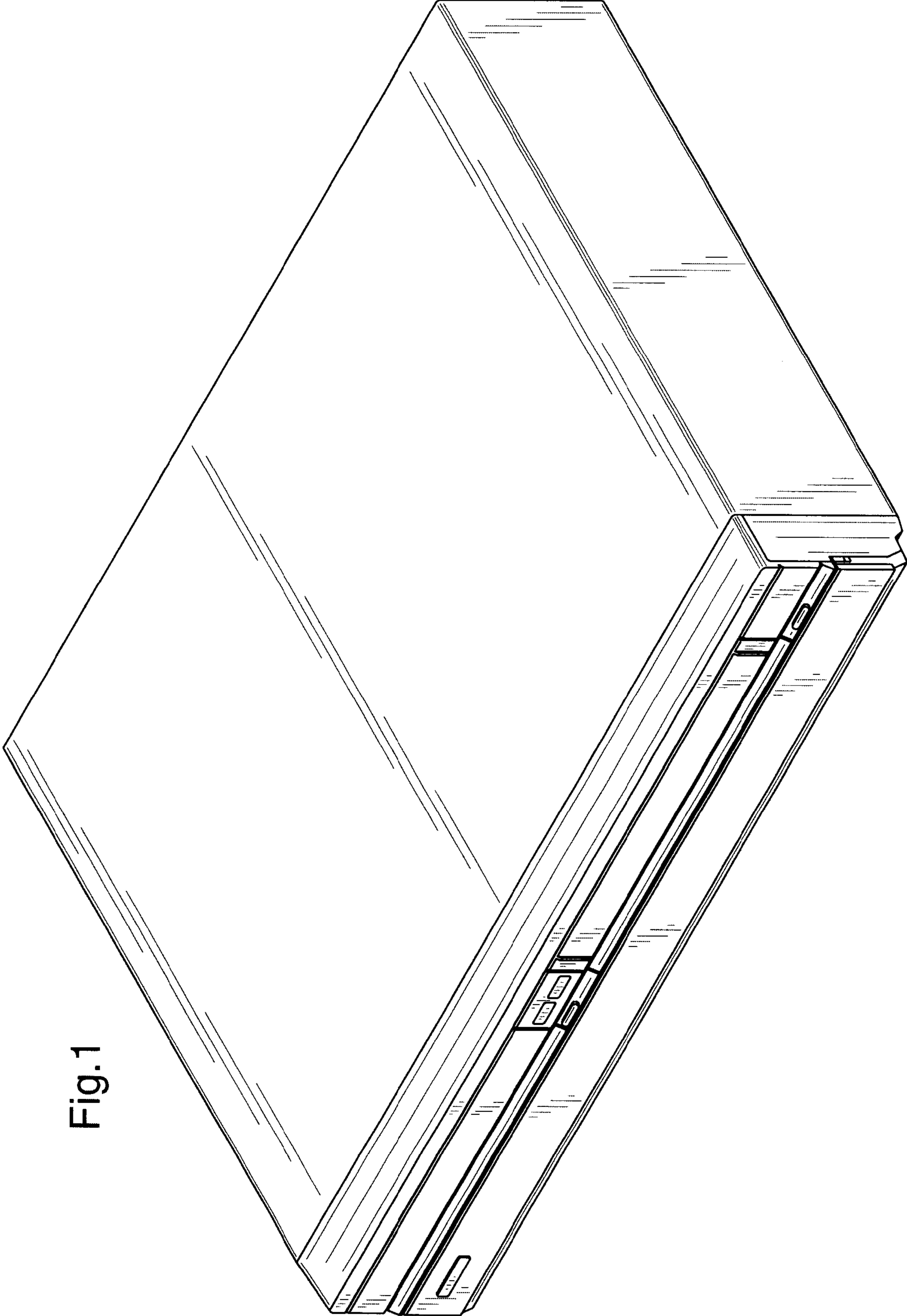


Fig.1

Fig.2

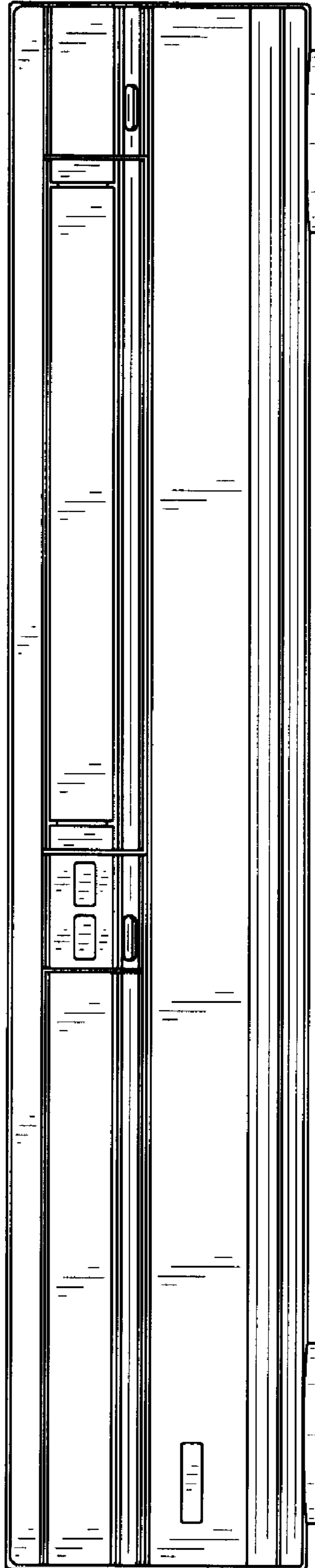


Fig.3

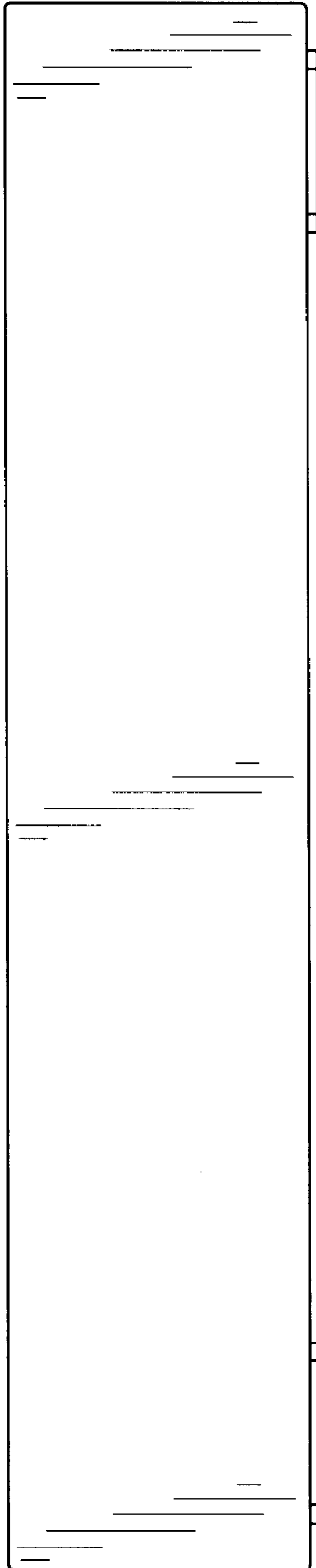


Fig. 4

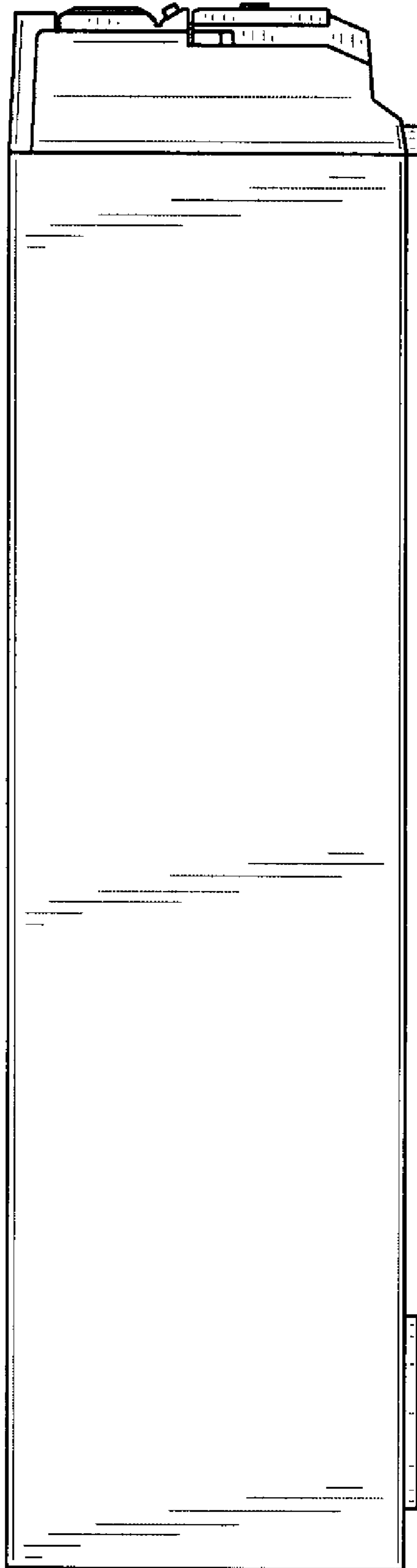


Fig. 5

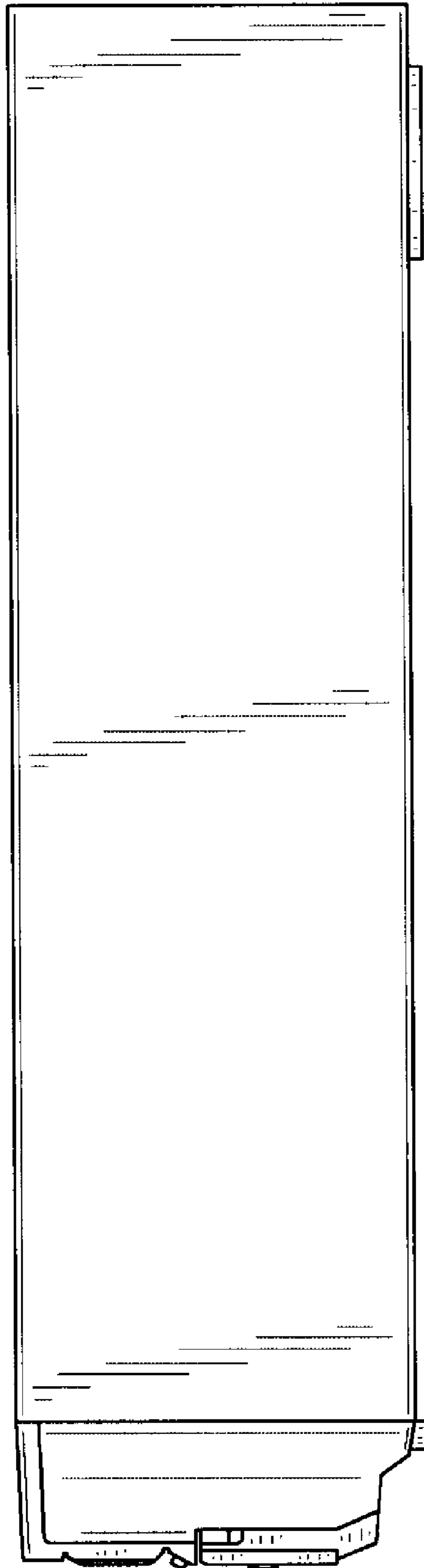


Fig.6

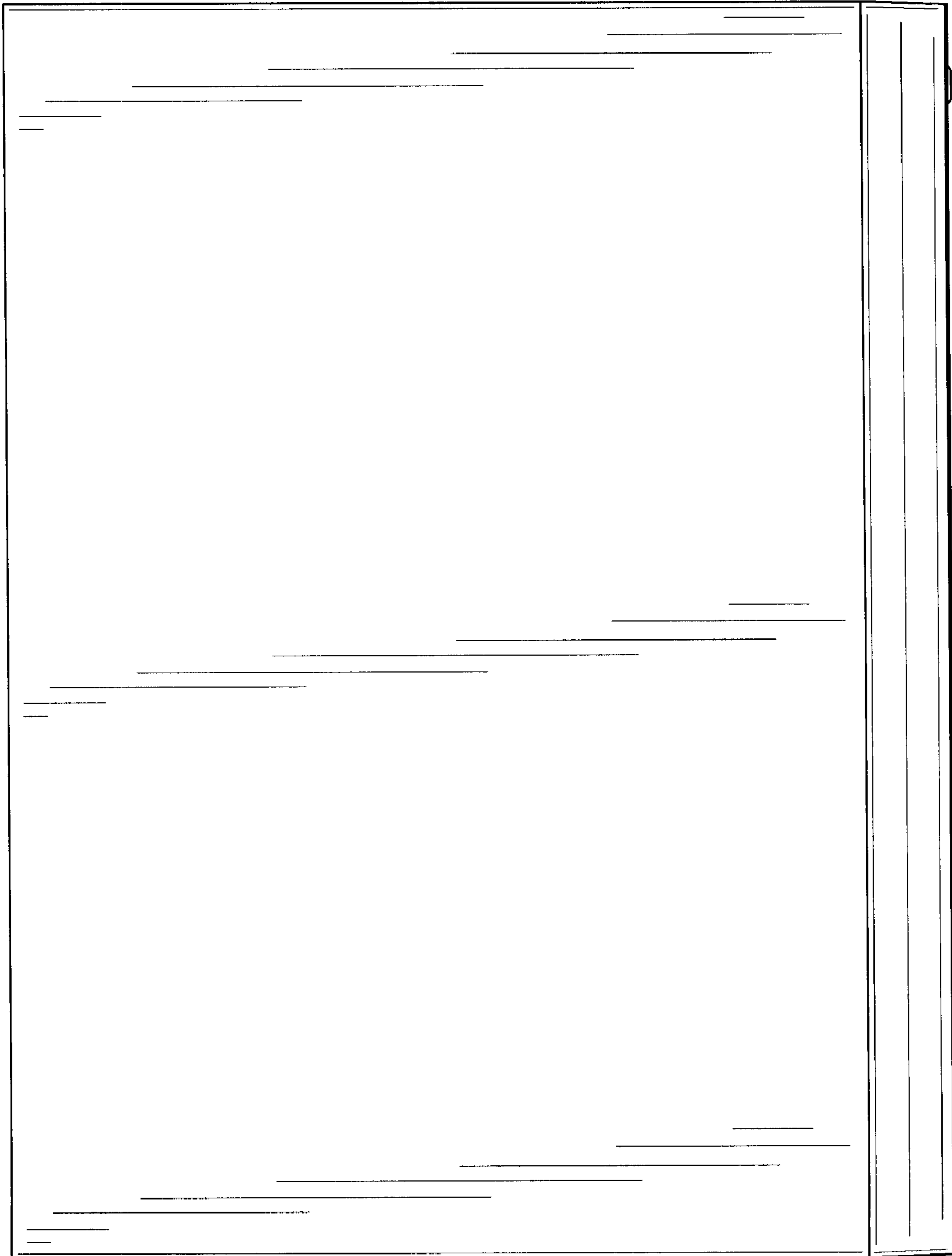


Fig.7

