



US00D531150S

(12) **United States Design Patent**
Yabe et al.

(10) **Patent No.:** **US D531,150 S**

(45) **Date of Patent:** **** Oct. 31, 2006**

(54) **COMBINED MONITOR DISPLAY AND DISC PLAYER**

(75) Inventors: **Tomohiro Yabe**, Chiba (JP); **Mitsuhiro Uehara**, Tokyo (JP)

(73) Assignee: **Sony Corporation**, Tokyo (JP)

(**) Term: **14 Years**

(21) Appl. No.: **29/220,553**

(22) Filed: **Jan. 4, 2005**

(51) **LOC (8) Cl.** **14-03**

(52) **U.S. Cl.** **D14/129; D14/132**

(58) **Field of Classification Search** D14/125-134,
D14/239, 371, 136, 374-376; 312/7.2; 348/836,
348/838, 180, 184, 325, 739; 341/12; 248/917-924,
248/465; 345/104, 133, 156, 168, 87, 173;
720/605, 669, 600, 655; 369/99, 197; 455/344-347
See application file for complete search history.

(56) **References Cited**

U.S. PATENT DOCUMENTS

D324,040 S	*	2/1992	Saito et al.	D14/126
D380,213 S		6/1997	Morimiya		
D402,979 S		12/1998	Ogasawara		
D412,900 S	*	8/1999	Utsugi	D14/136
D415,147 S	*	10/1999	Adachi	D14/132
D432,101 S		10/2000	Oba		
D454,845 S		3/2002	Niitsu		
D468,276 S	*	1/2003	Chang	D14/126

D501,185 S		1/2005	Sato et al.		
D501,832 S	*	2/2005	Peng	D14/129
D502,152 S	*	2/2005	Peng	D14/126
D502,452 S	*	3/2005	Peng	D14/129
D503,160 S	*	3/2005	Peng	D14/129
D506,733 S	*	6/2005	Boyer, Jr.	D14/126

OTHER PUBLICATIONS

Mobile Planet, cover page, 2003.*
White Oak Pharmacy, p. 62, 2003.*

* cited by examiner

Primary Examiner—Raphael Barkai
(74) *Attorney, Agent, or Firm*—Rader, Fishman & Grauer PLLC

(57) **CLAIM**

The ornamental design for a combined monitor display and disc player, as shown.

DESCRIPTION

FIG. 1 is a front elevational view of a combined monitor display and disc player showing my new design; FIG. 2 is a rear elevational view thereof; FIG. 3 is a top plan view thereof; FIG. 4 is a bottom plan view thereof; FIG. 5 is a right side elevational view thereof; FIG. 6 is a left side elevational view thereof; and FIG. 7 is a perspective view thereof.

1 Claim, 7 Drawing Sheets

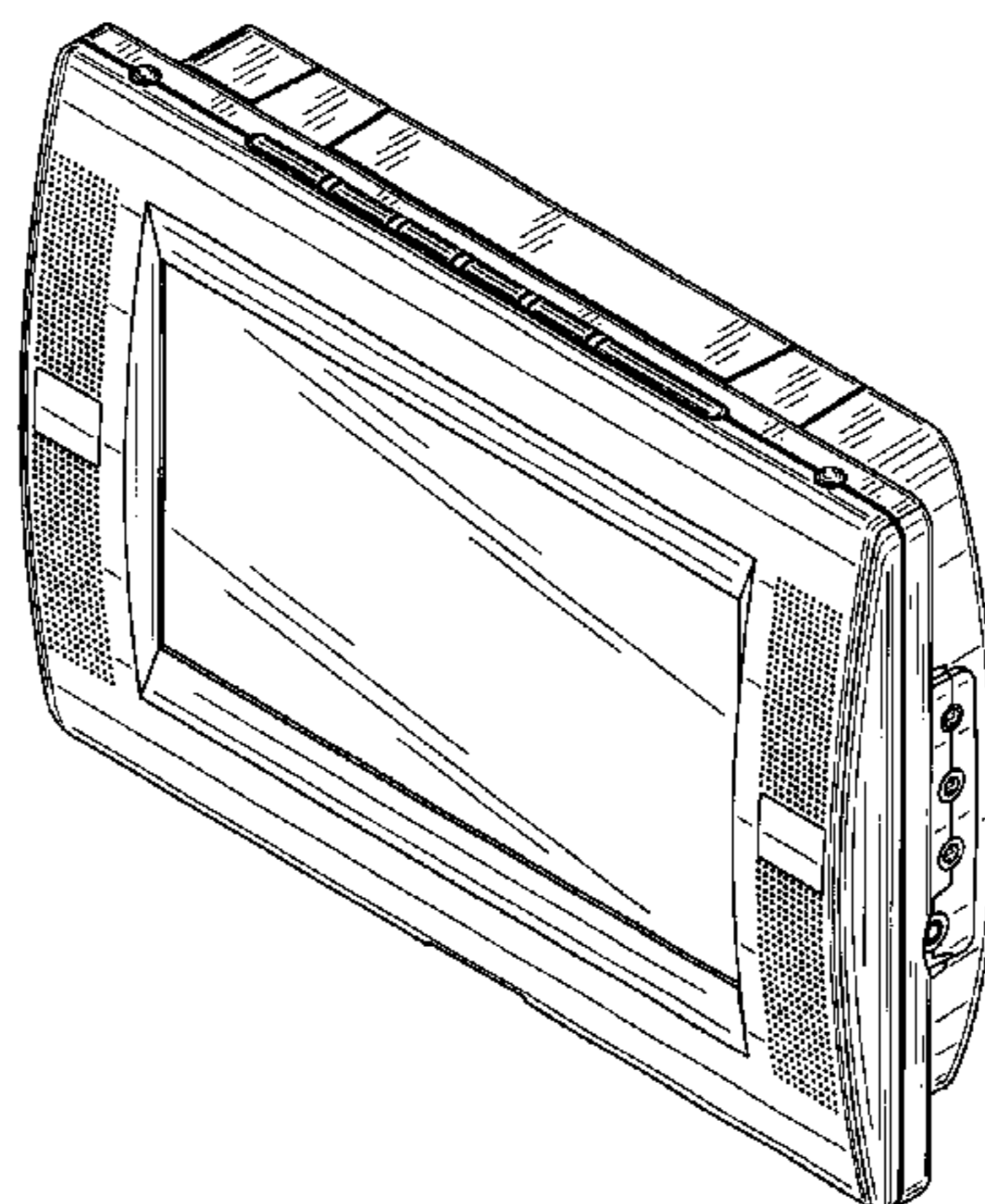
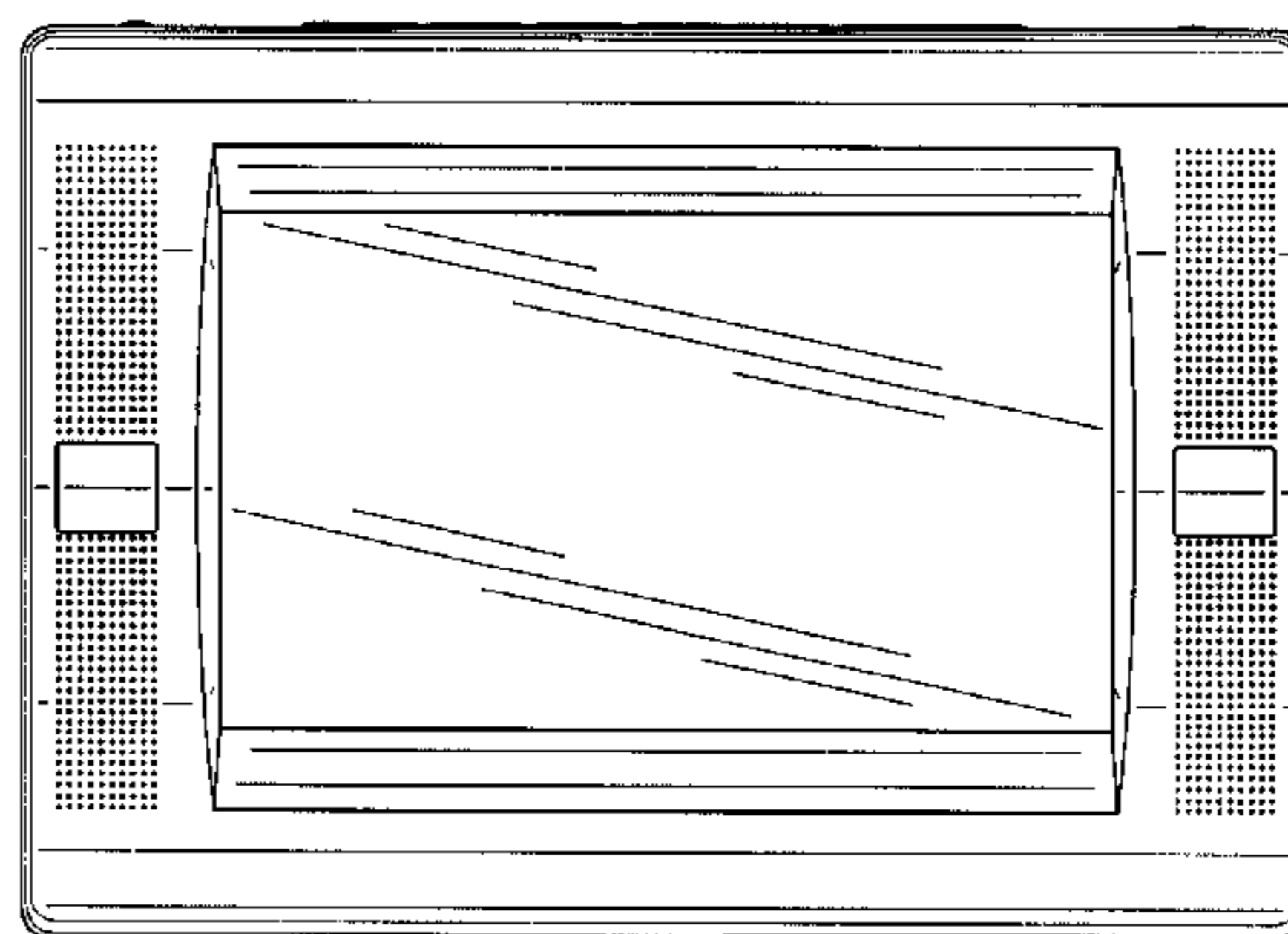


FIG. 1

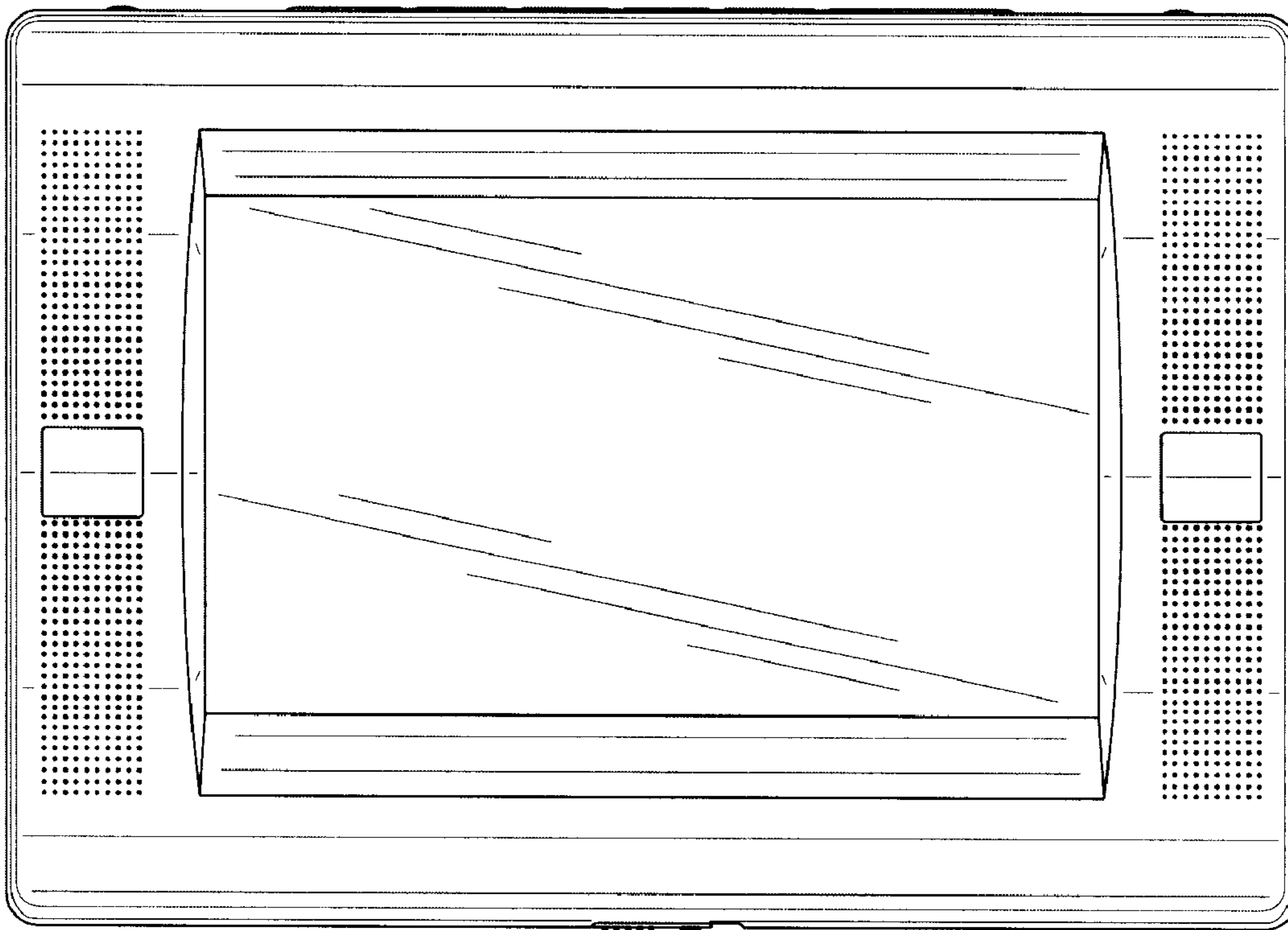


FIG. 2

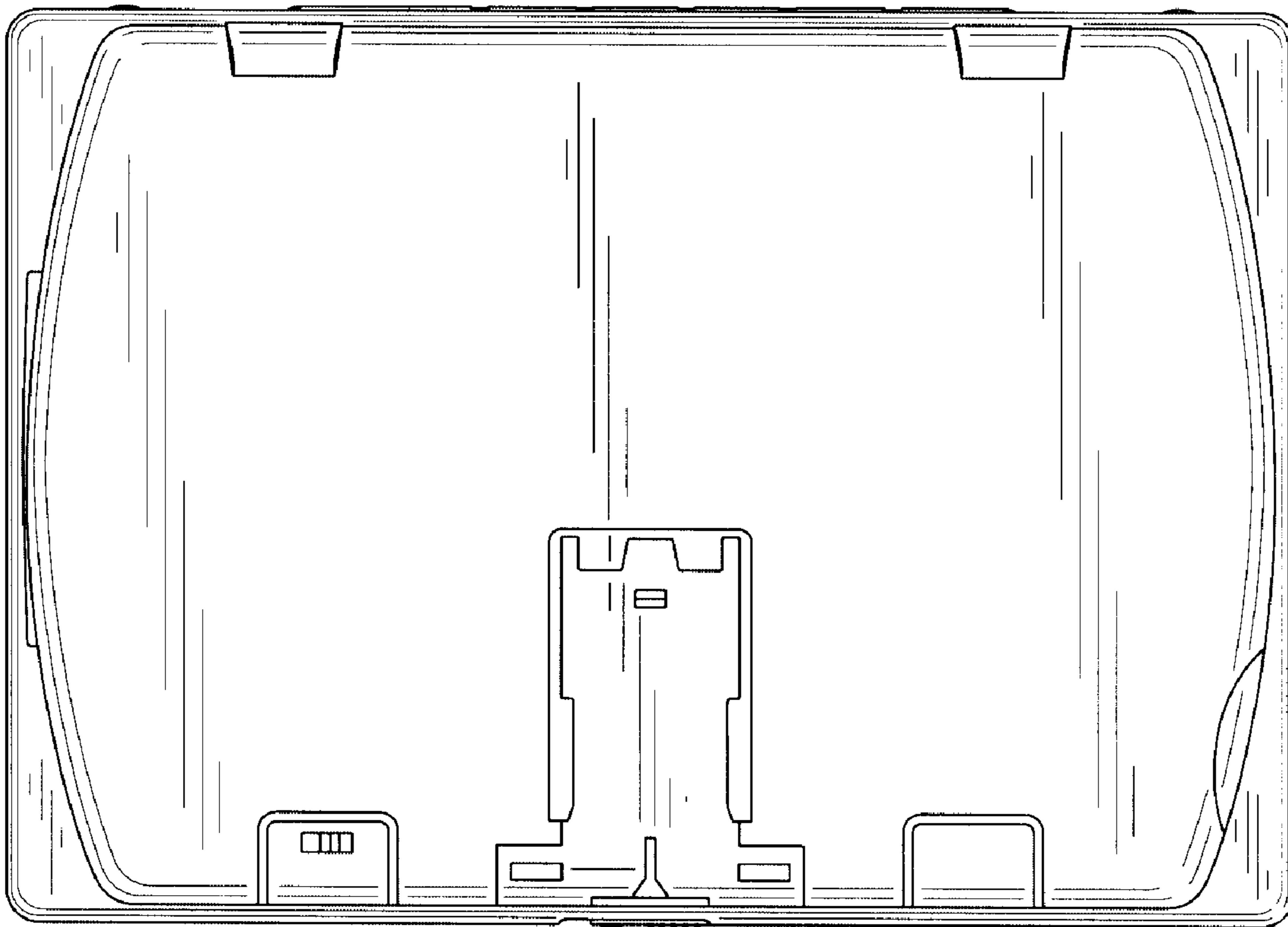


FIG. 3

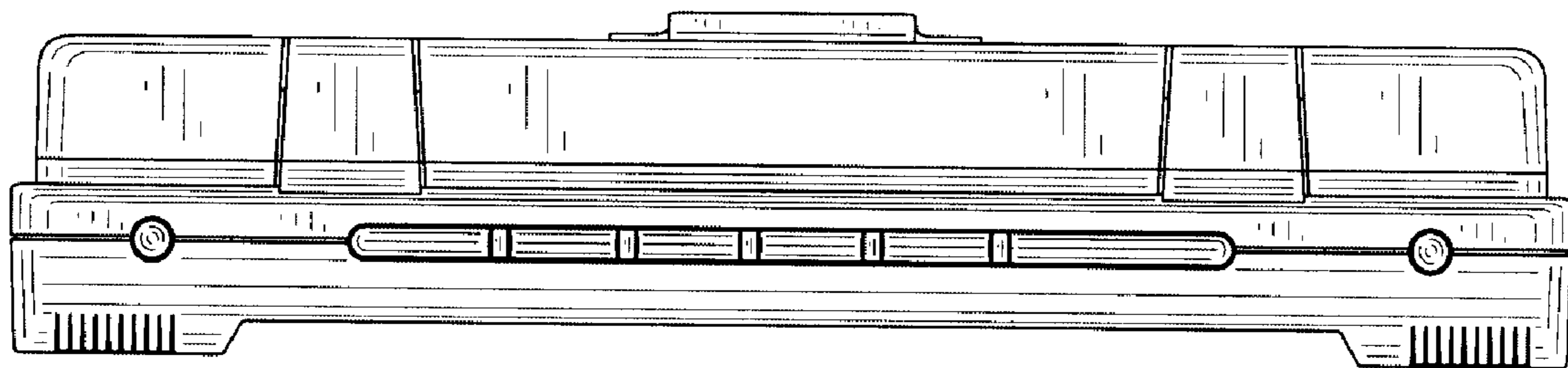


FIG. 4

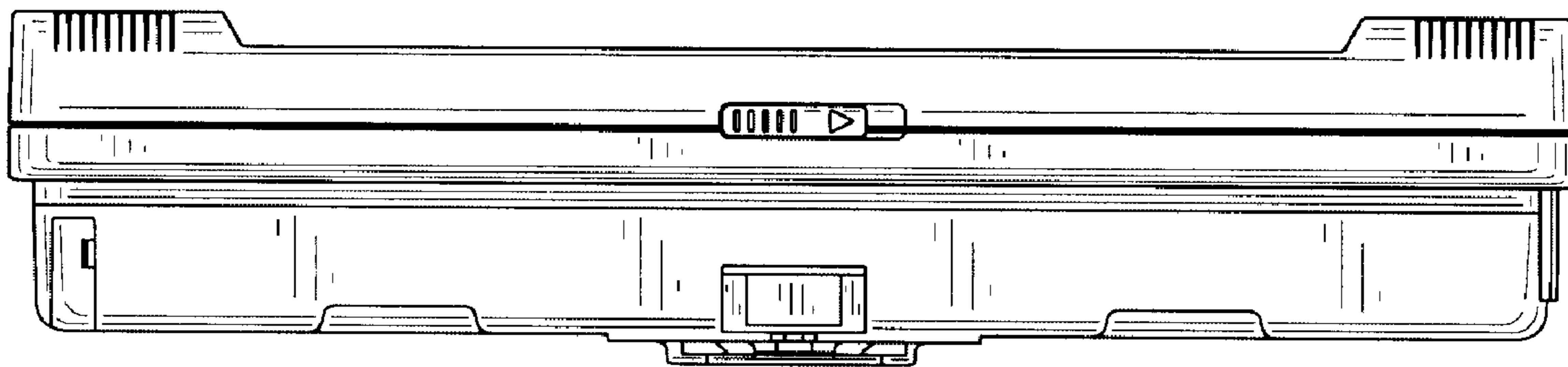


FIG. 5

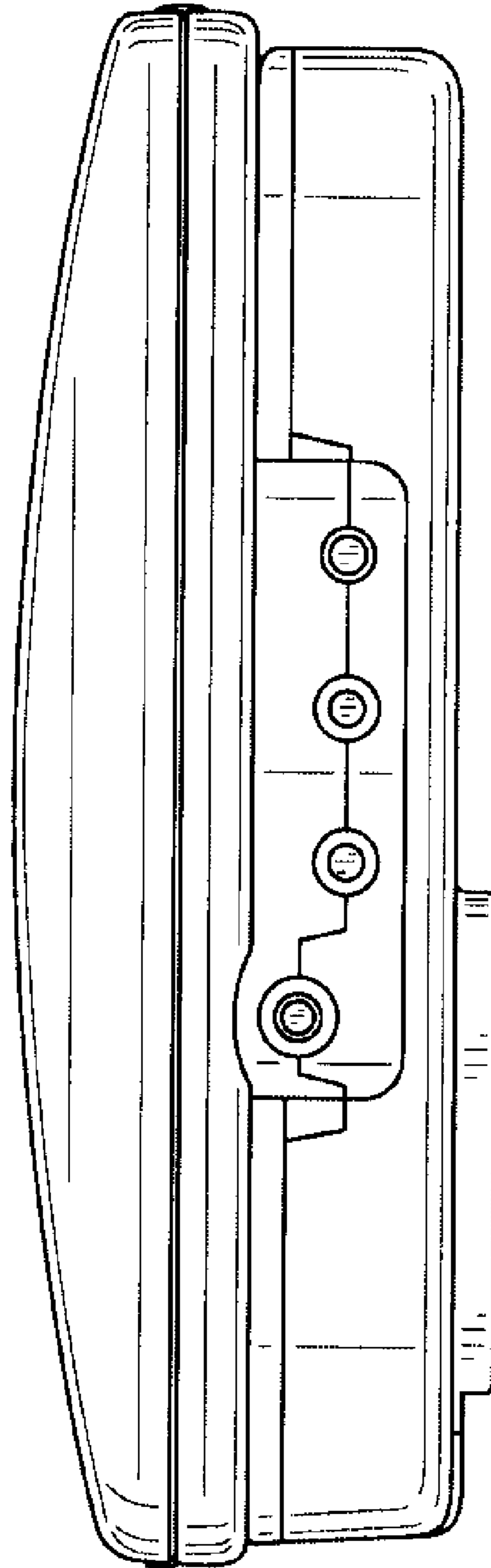


FIG. 6

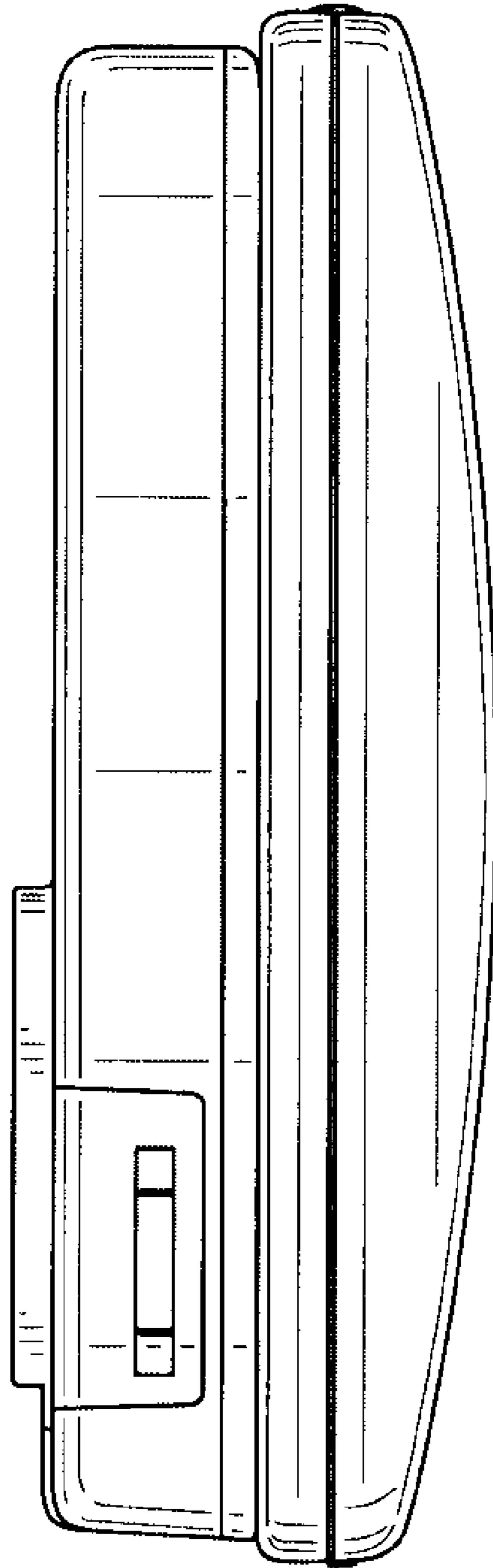


FIG. 7

