



US00D531146S

(12) **United States Design Patent**
Lin

(10) **Patent No.:** **US D531,146 S**
(45) **Date of Patent:** **** Oct. 31, 2006**

- (54) **TELEVISION SET**
- (75) Inventor: **Roger Lin**, Taipei (TW)
- (73) Assignee: **Hannspree, Inc.**, Taipei (TW)
- (**) Term: **14 Years**
- (21) Appl. No.: **29/243,080**
- (22) Filed: **Nov. 21, 2005**
- (30) **Foreign Application Priority Data**
Jun. 24, 2005 (TW) 94303746
- (51) **LOC (8) Cl.** **14-03**
- (52) **U.S. Cl.** **D14/126**
- (58) **Field of Classification Search** D14/125-134,
D14/239, 371, 136, 374-377; 312/7.2; 348/836,
348/838, 180, 184, 325, 739; 341/12; 248/917-924,
248/465; 345/104, 133, 156, 168, 87, 173;
720/605, 669, 600, 655; 369/99, 197; 455/344-347
See application file for complete search history.

- D460,055 S * 7/2002 Rosen D14/126
- D468,738 S * 1/2003 Lin D14/371
- D469,431 S * 1/2003 Lin D14/375
- D470,490 S * 2/2003 Lin D14/375
- D473,867 S * 4/2003 Lin D14/371

* cited by examiner

Primary Examiner—Raphael Barkai
(74) *Attorney, Agent, or Firm*—Birch, Stewart, Kolasch & Birch, LLP

(57) **CLAIM**

The ornamental design for a television set, as shown and described.

DESCRIPTION

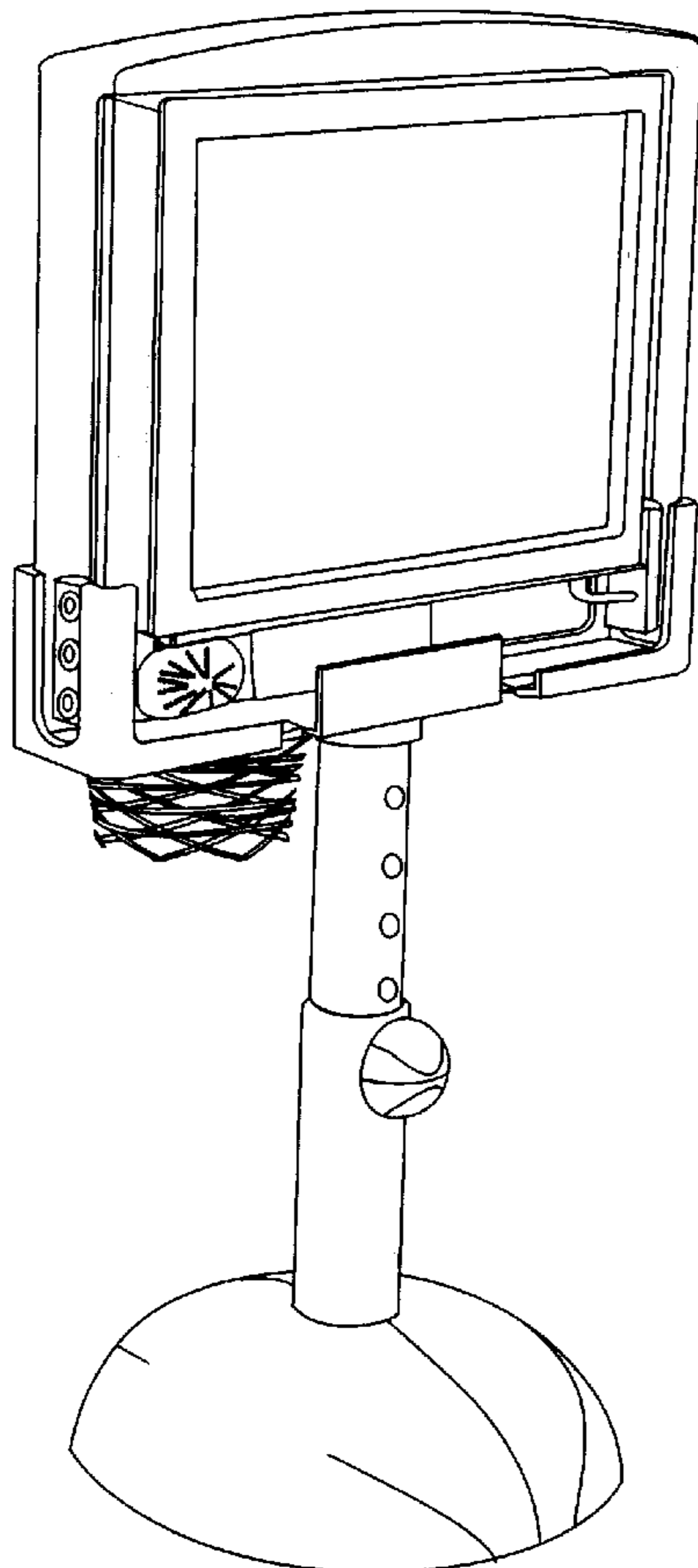
FIG. 1 is a front perspective view thereof;
FIG. 2 is a front elevational view thereof;
FIG. 3 is a rear elevational view thereof;
FIG. 4 is a left side elevational view thereof;
FIG. 5 is a right side elevational view thereof;
FIG. 6 is a top plan view thereof; and,
FIG. 7 is a bottom plan view thereof.

(56) **References Cited**

U.S. PATENT DOCUMENTS

- D425,036 S * 5/2000 Copus et al. D14/132

1 Claim, 7 Drawing Sheets



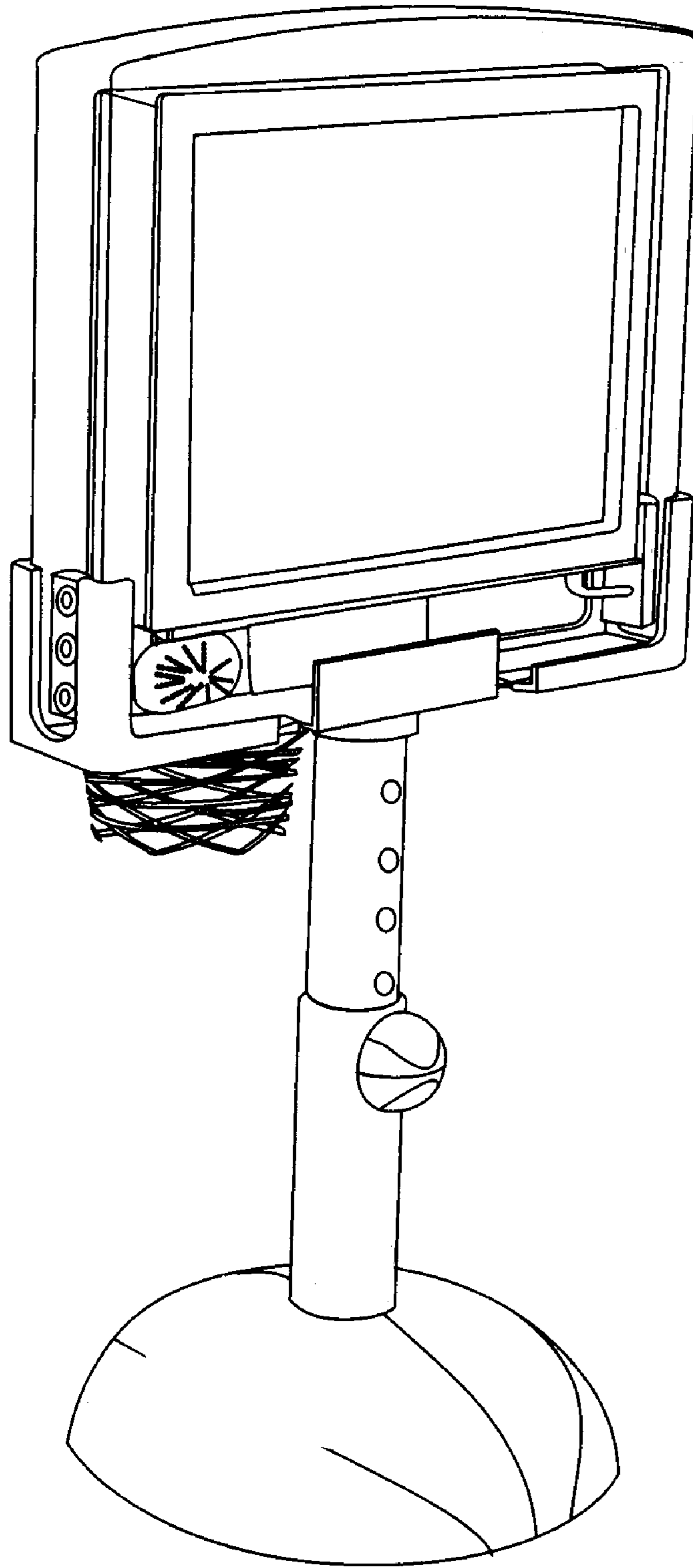


FIG 1

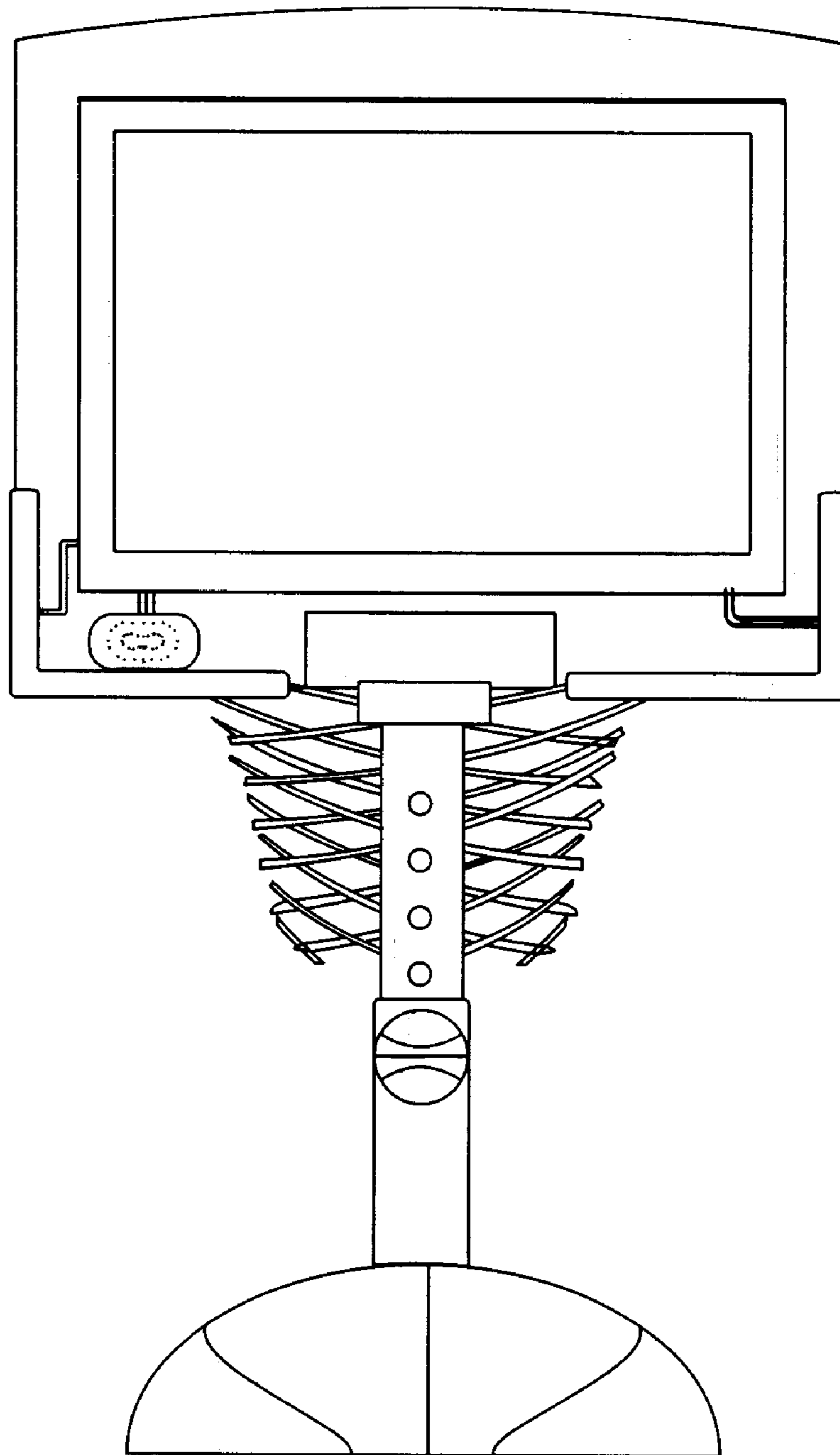


FIG 2

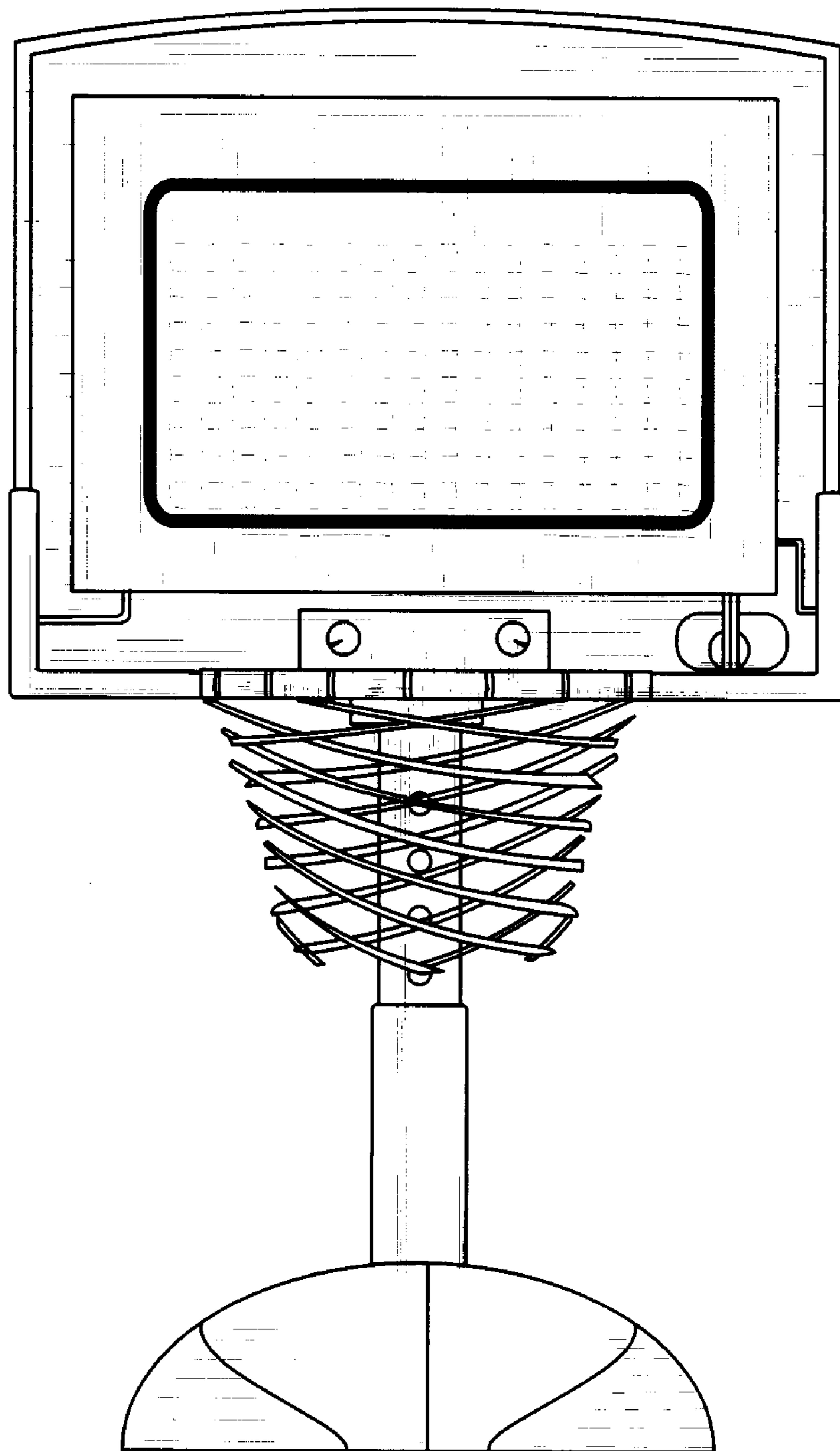


FIG 3

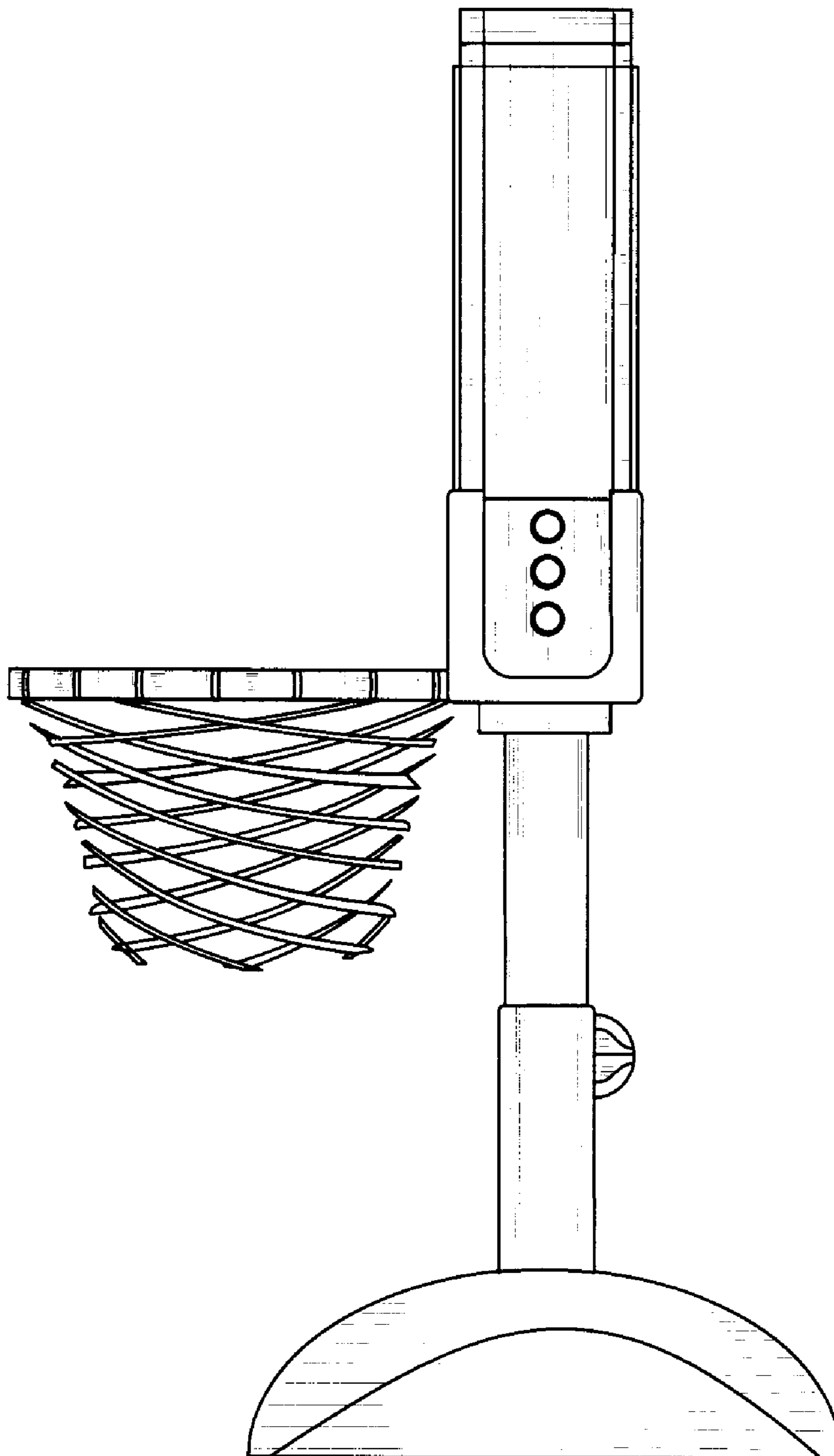


FIG 4

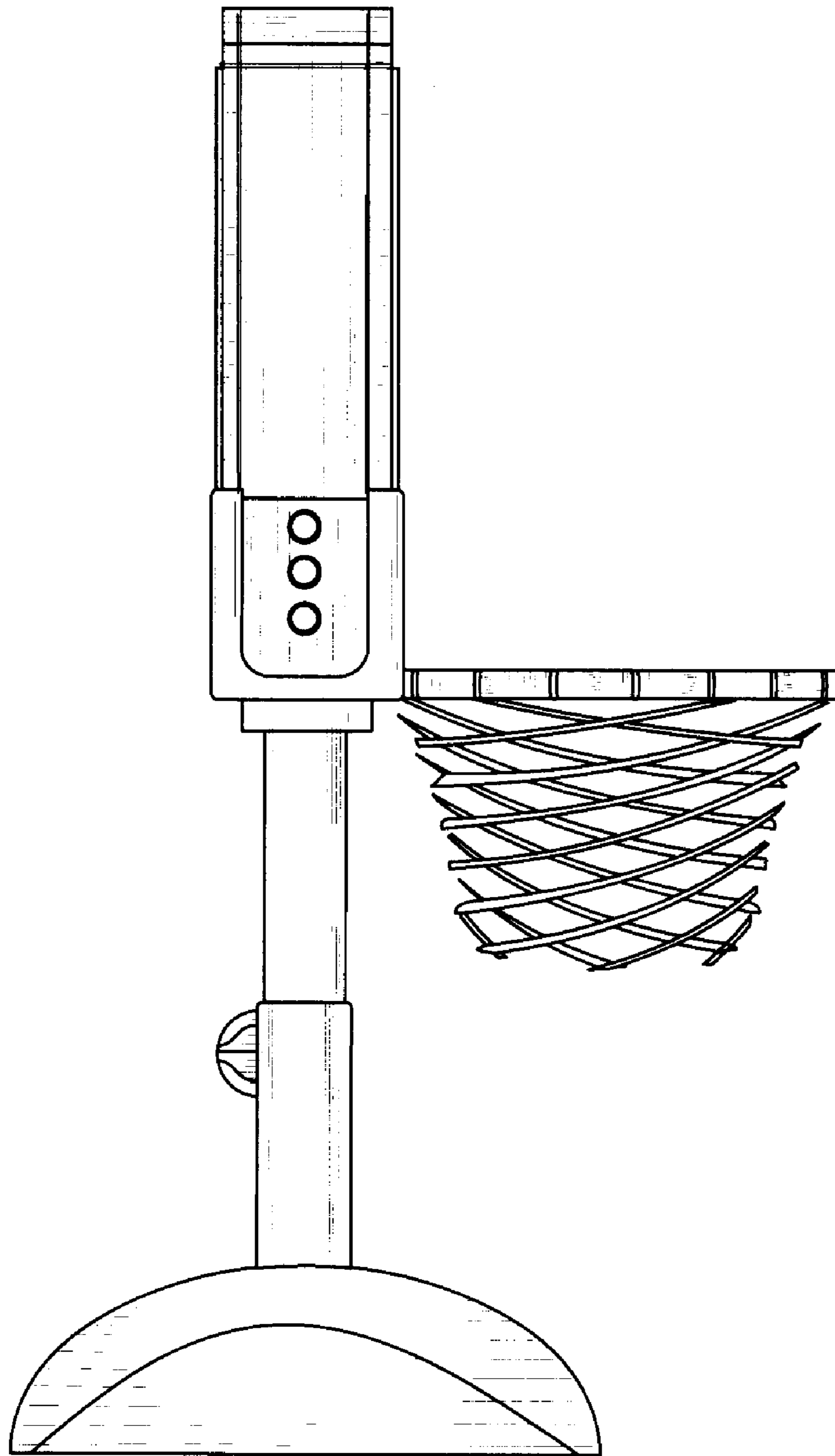


FIG 5

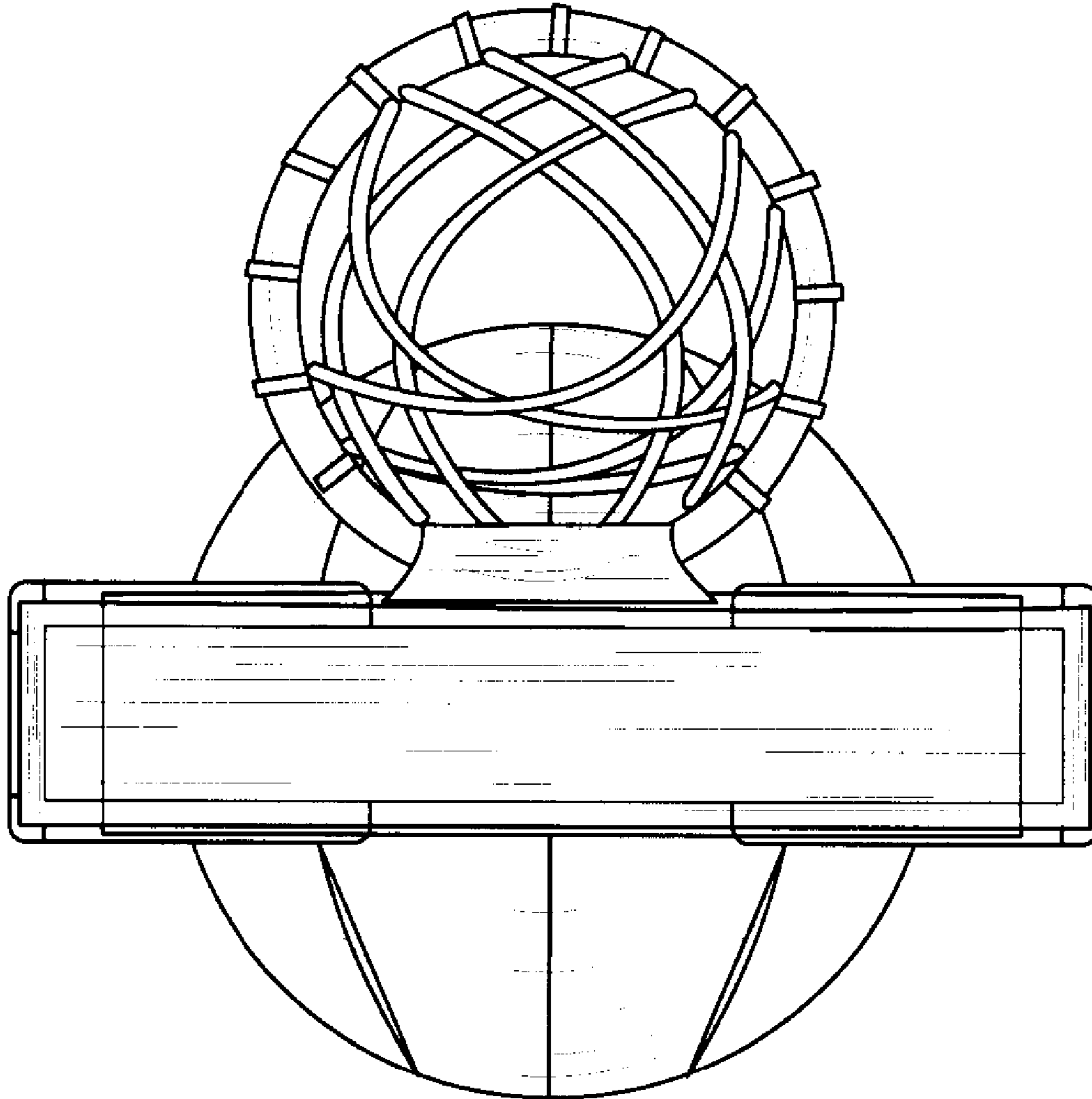


FIG 6

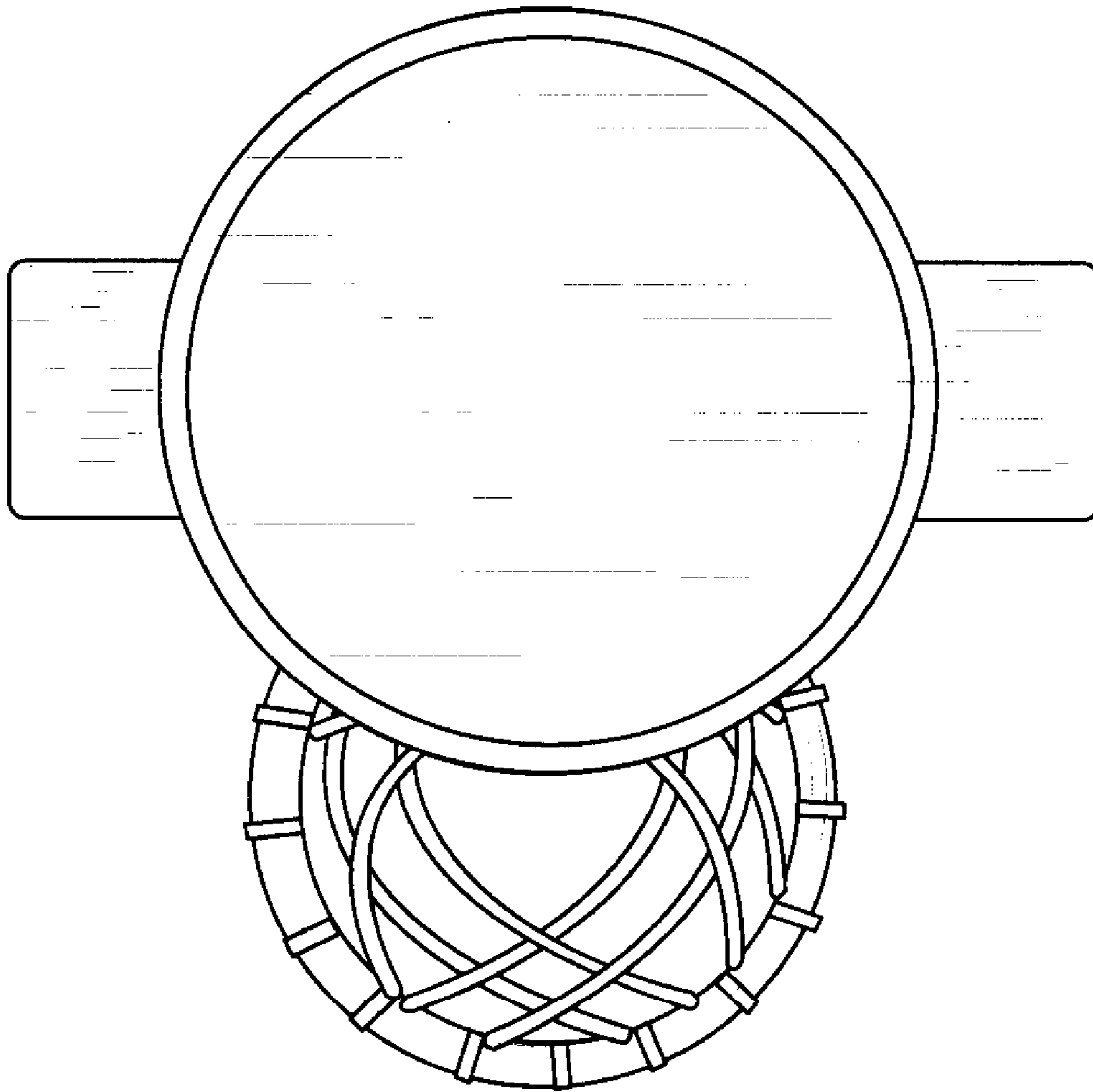


FIG 7