



US00D531141S

(12) **United States Design Patent**
Tzeng

(10) **Patent No.:** **US D531,141 S**

(45) **Date of Patent:** **** Oct. 31, 2006**

(54) **LED LEADFRAME**

(75) **Inventor:** **Jing-Wen Tzeng, Tu Cheng (TW)**

(73) **Assignee:** **Techwin Opto-Electronics Co., Ltd.,
Tu Cheng (TW)**

(**) **Term:** **14 Years**

(21) **Appl. No.:** **29/243,743**

(22) **Filed:** **Nov. 29, 2005**

(51) **LOC (8) Cl.** **13-03**

(52) **U.S. Cl.** **D13/180**

(58) **Field of Classification Search** D13/180;
D26/2; 257/79, 80, 81, 82, 88, 89, 95, 98,
257/99, 100, 678, 680, 433, 434, 666; 313/483,
313/498, 500; 361/820; 362/235, 249, 555,
362/800; 372/45.01

See application file for complete search history.

(56) **References Cited**

U.S. PATENT DOCUMENTS

D495,668 S * 9/2004 Kim et al. D13/180
D496,007 S * 9/2004 Hoshiba D13/179

D504,116 S * 4/2005 Ishida D13/180
D504,404 S * 4/2005 Ishida D13/180
D511,148 S * 11/2005 Ishida D13/180
D512,031 S * 11/2005 Ishida D13/180
2002/0149314 A1 * 10/2002 Takahashi et al. 313/500

* cited by examiner

Primary Examiner—Selina Sikder

(74) *Attorney, Agent, or Firm*—Pro-Techtor Int'l Services

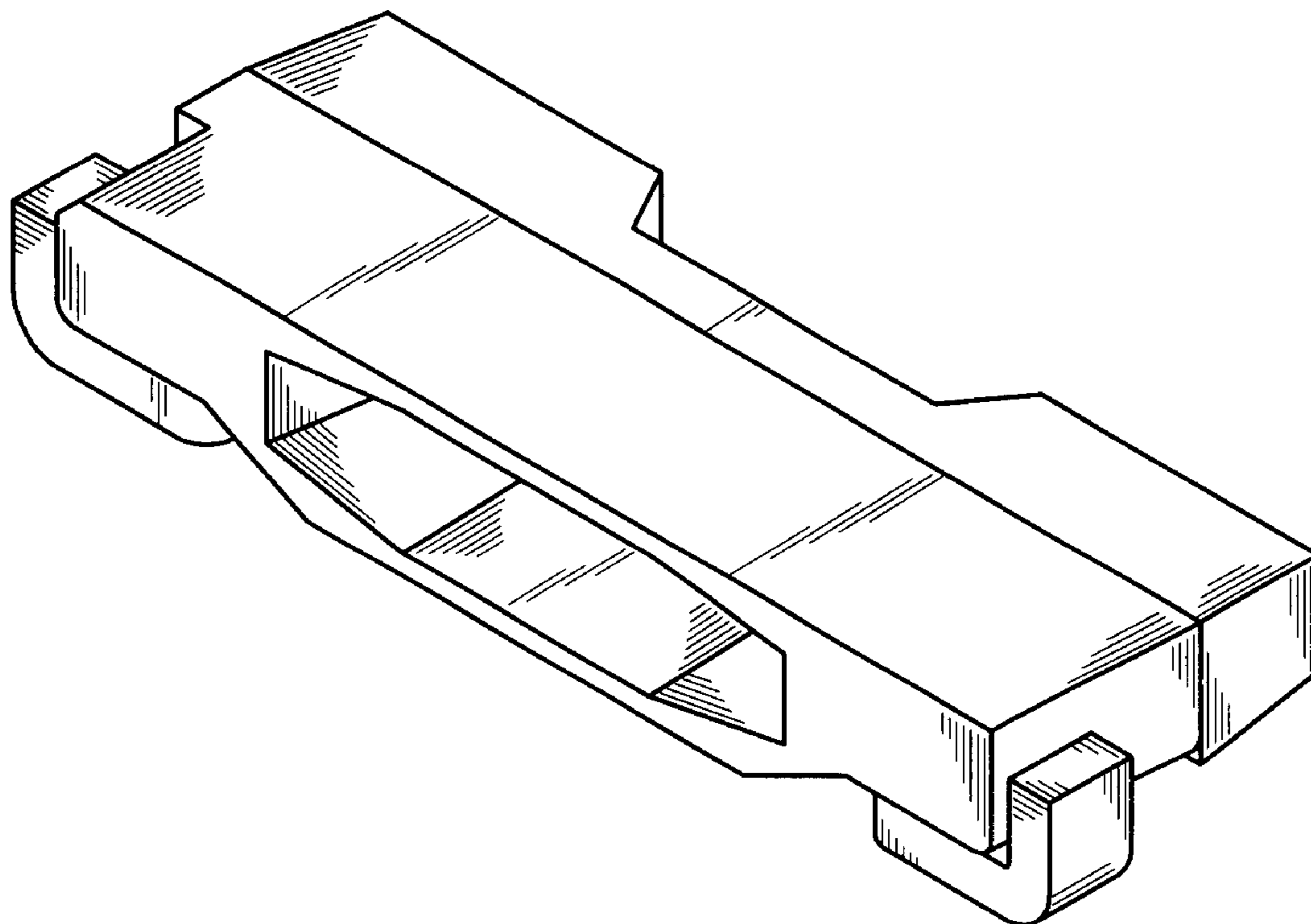
(57) **CLAIM**

The ornamental design for a LED leadframe, as shown and described.

DESCRIPTION

FIG. 1 is a perspective view of a LED leadframe showing our new design;
FIG. 2 is a front view thereof;
FIG. 3 is a rear view thereof;
FIG. 4 is a left side view thereof;
FIG. 5 is a right side view thereof;
FIG. 6 is a top plan view thereof; and,
FIG. 7 is a bottom plan view thereof.

1 Claim, 4 Drawing Sheets



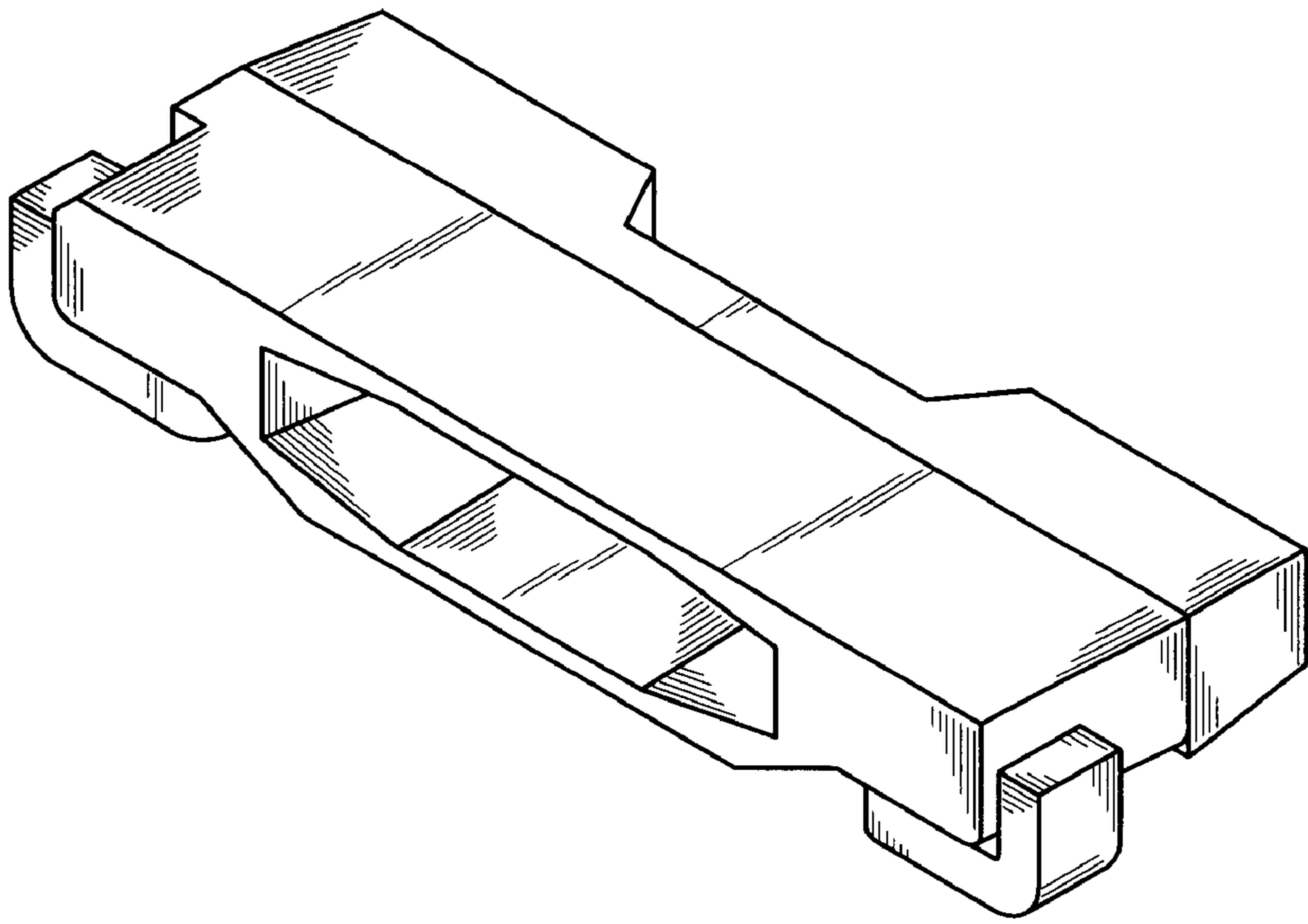


Fig. 1

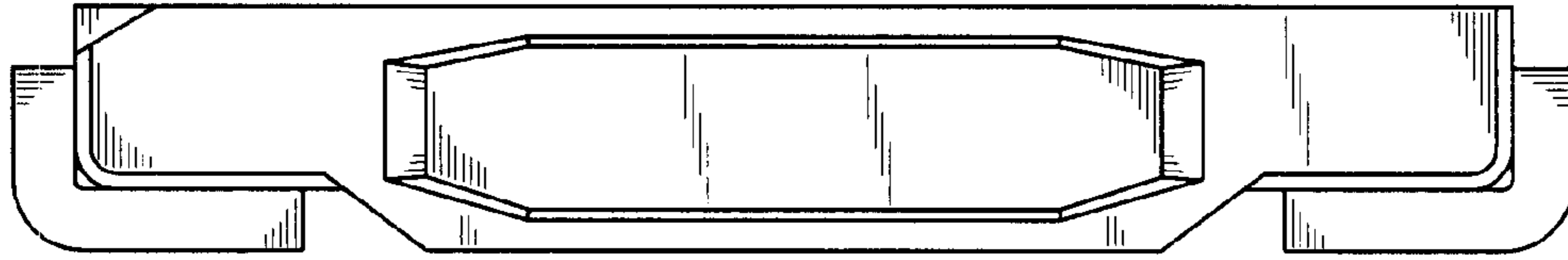


Fig. 2

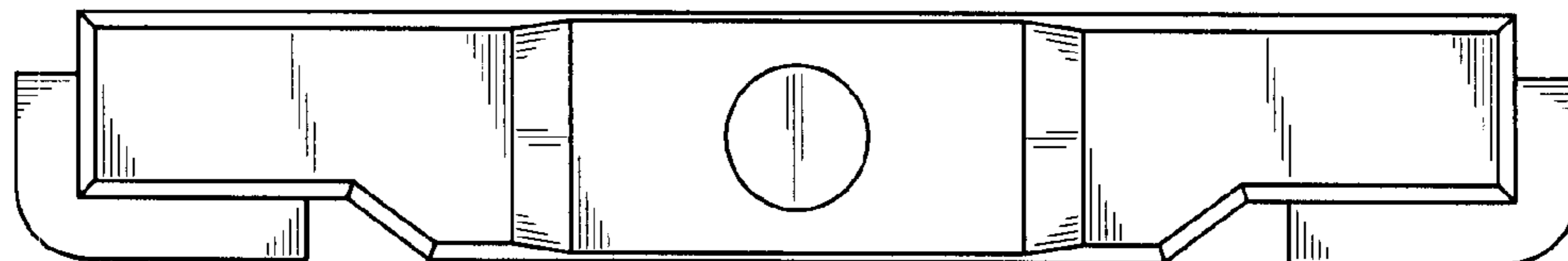


Fig. 3

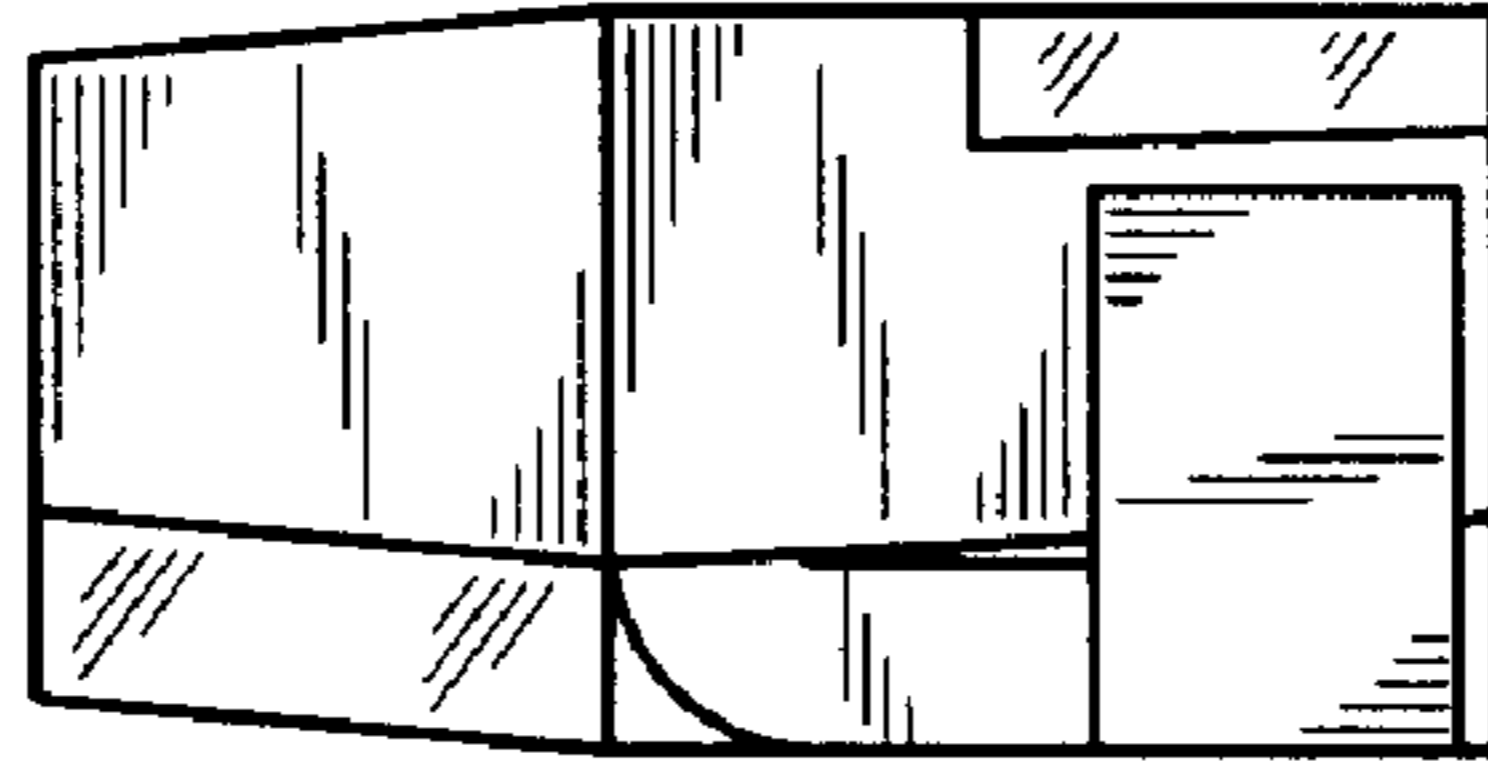


Fig. 4

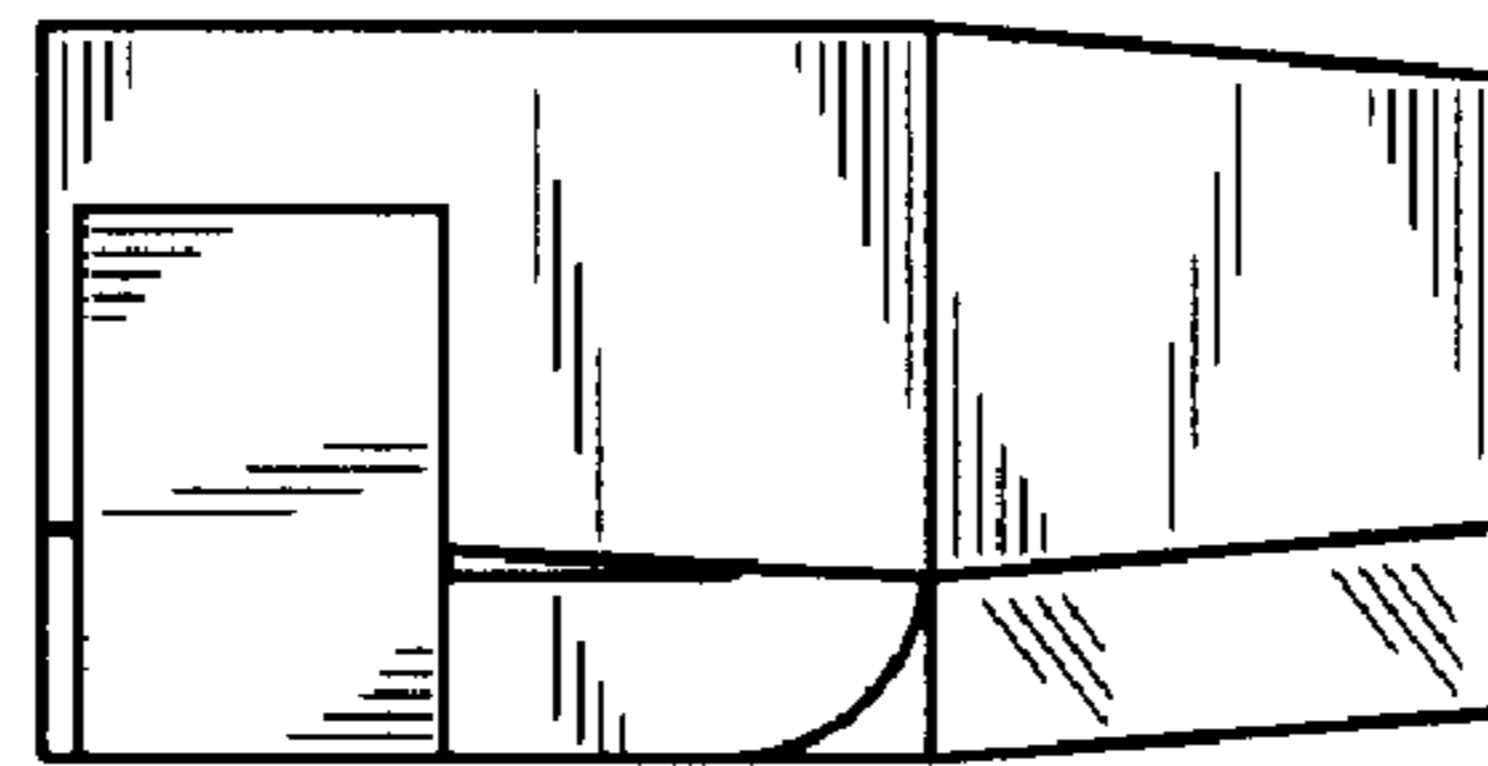


Fig. 5

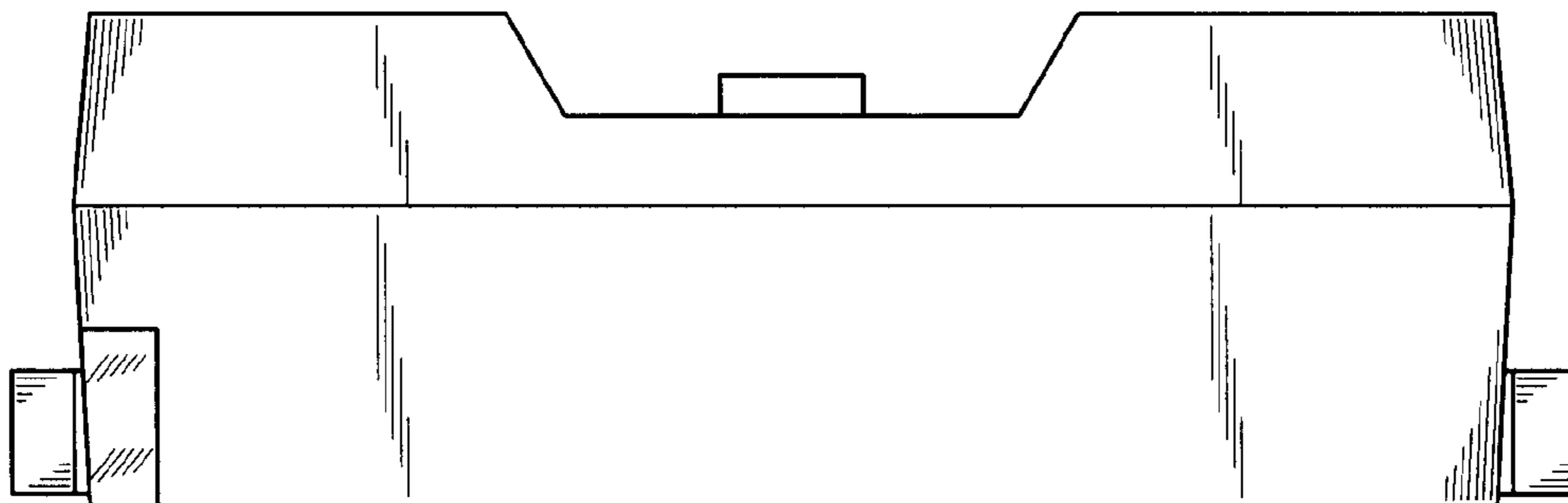


Fig. 6

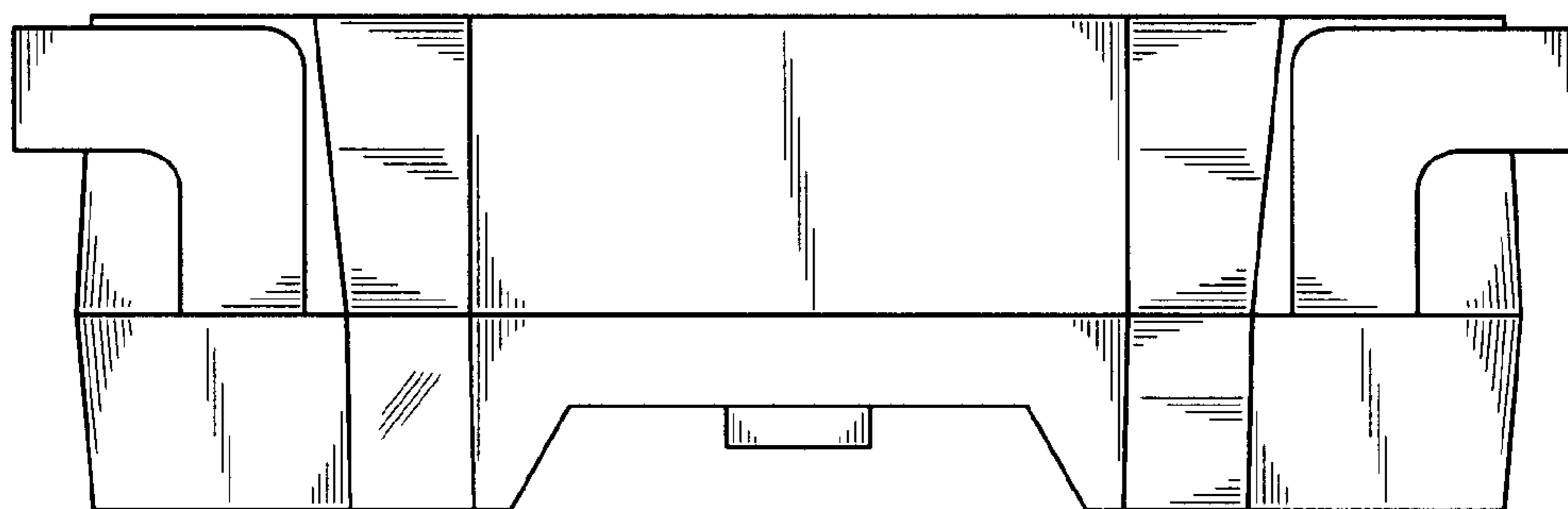


Fig. 7