



US00D531140S

(12) **United States Design Patent**  
**Konno et al.**

(10) **Patent No.:** **US D531,140 S**

(45) **Date of Patent:** **\*\* Oct. 31, 2006**

(54) **LIGHT EMITTING SEMICONDUCTOR DEVICE**

(75) Inventors: **Kuniaki Konno**, Yokohama (JP);  
**Hiroaki Oshio**, Kitakyushu (JP)

(73) Assignee: **Kabushiki Kaisha Toshiba** (JP)

(\*\*) Term: **14 Years**

(21) Appl. No.: **29/242,542**

(22) Filed: **Nov. 14, 2005**

(51) **LOC (8) Cl.** ..... **13-03**

(52) **U.S. Cl.** ..... **D13/180; D13/182**

(58) **Field of Classification Search** ..... D13/180,  
D13/182; D26/2; 257/79, 80, 81, 82, 88,  
257/89, 95, 98, 99, 100, 678, 680, 433, 434,  
257/666; 313/483, 498, 500; 361/820; 362/235,  
362/249, 555, 800; 372/45.01  
See application file for complete search history.

(56) **References Cited**

**U.S. PATENT DOCUMENTS**

D432,095 S 10/2000 Seeger et al.  
D444,132 S \* 6/2001 Iwanishi et al. .... D13/182  
D471,166 S 3/2003 Oshio et al.

D475,982 S \* 6/2003 Hori et al. .... D13/182  
6,774,406 B1 \* 8/2004 Isoda ..... 257/99  
D520,466 S \* 5/2006 Kamiya et al. .... D13/180  
D520,965 S \* 5/2006 Omata ..... D13/180  
2004/0079957 A1 \* 4/2004 Andrews et al. .... 257/100  
2005/0051789 A1 \* 3/2005 Negley et al. .... 257/99

\* cited by examiner

*Primary Examiner*—Selina Sikder

(74) *Attorney, Agent, or Firm*—Banner & Witcoff, Ltd.

(57) **CLAIM**

The ornamental design for a light emitting semiconductor device, as shown and described.

**DESCRIPTION**

FIG. 1 is a front, bottom and right side perspective view of a light emitting semiconductor device, showing our new design;

FIG. 2 is a top plan view thereof;

FIG. 3 is a front elevational view thereof;

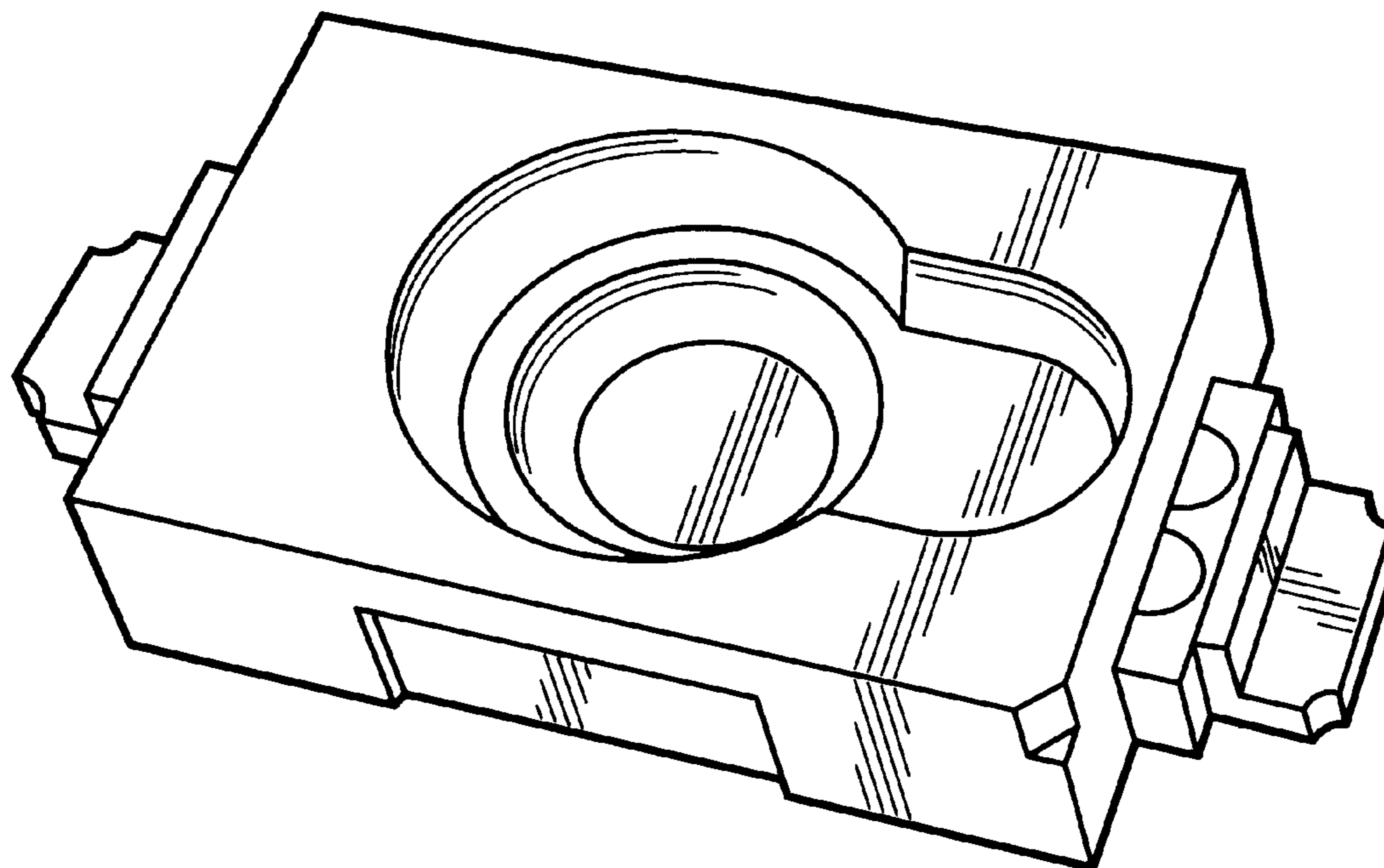
FIG. 4 is a right side elevational view thereof;

FIG. 5 is a left side elevational view thereof;

FIG. 6 is a rear elevational view thereof; and,

FIG. 7 is a bottom plan view thereof.

**1 Claim, 2 Drawing Sheets**



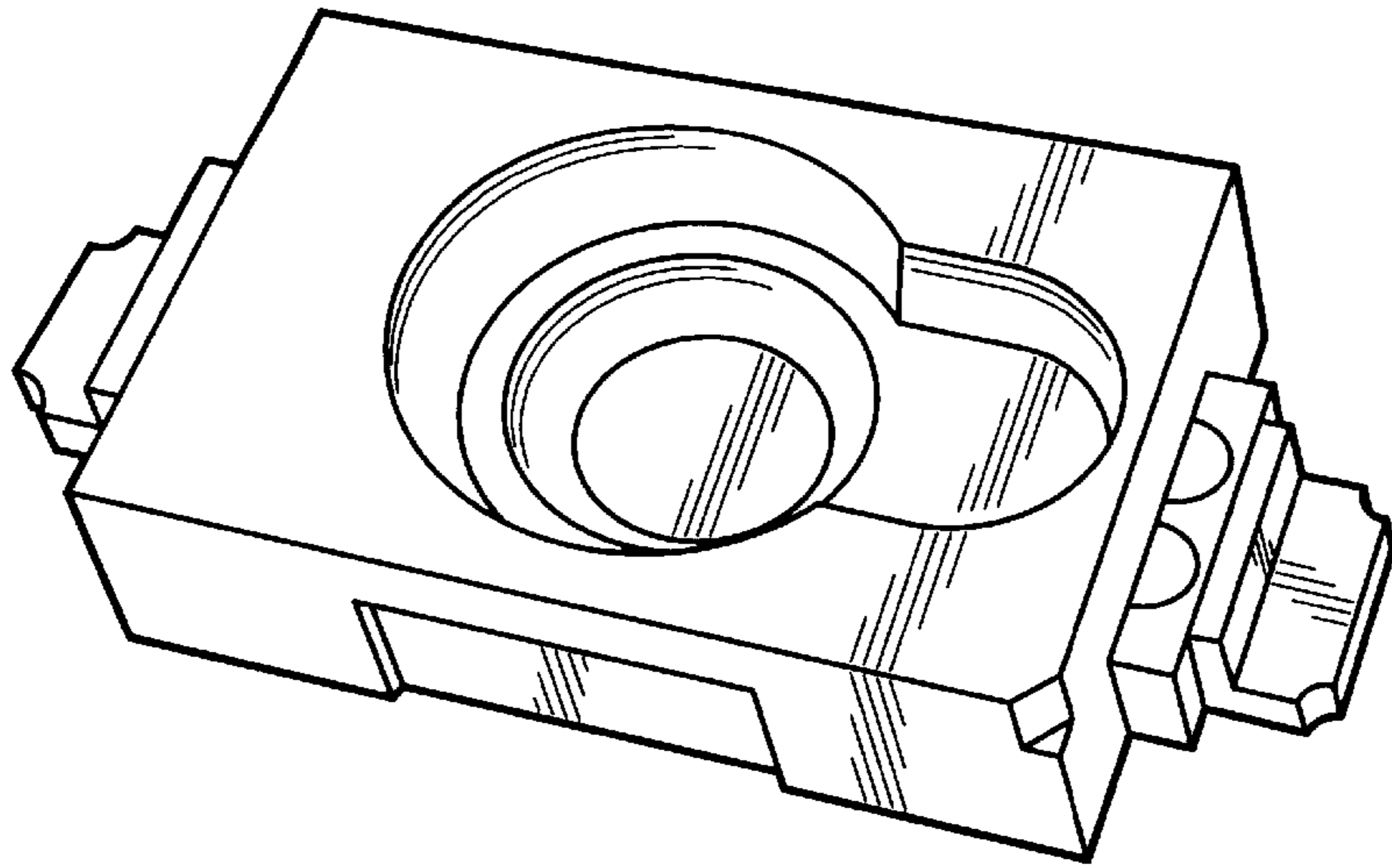


FIG. 1

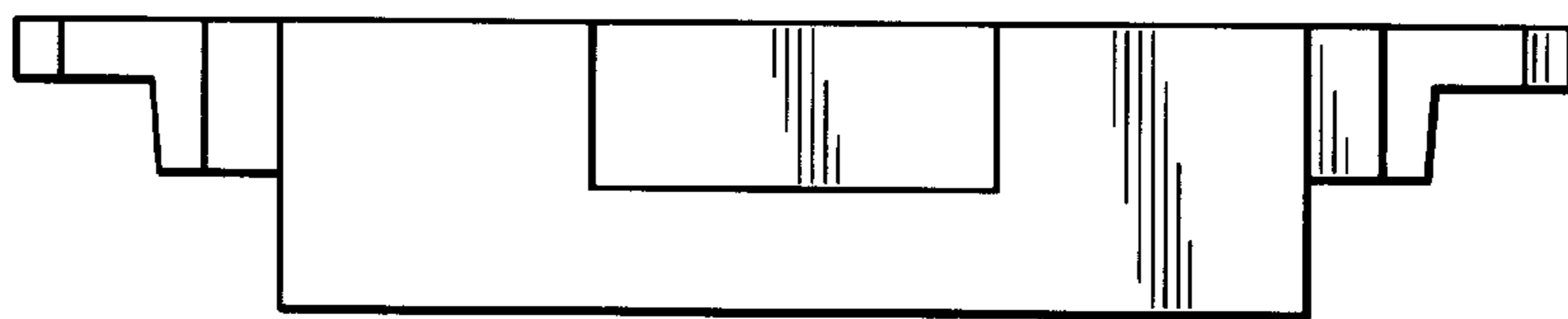


FIG. 2

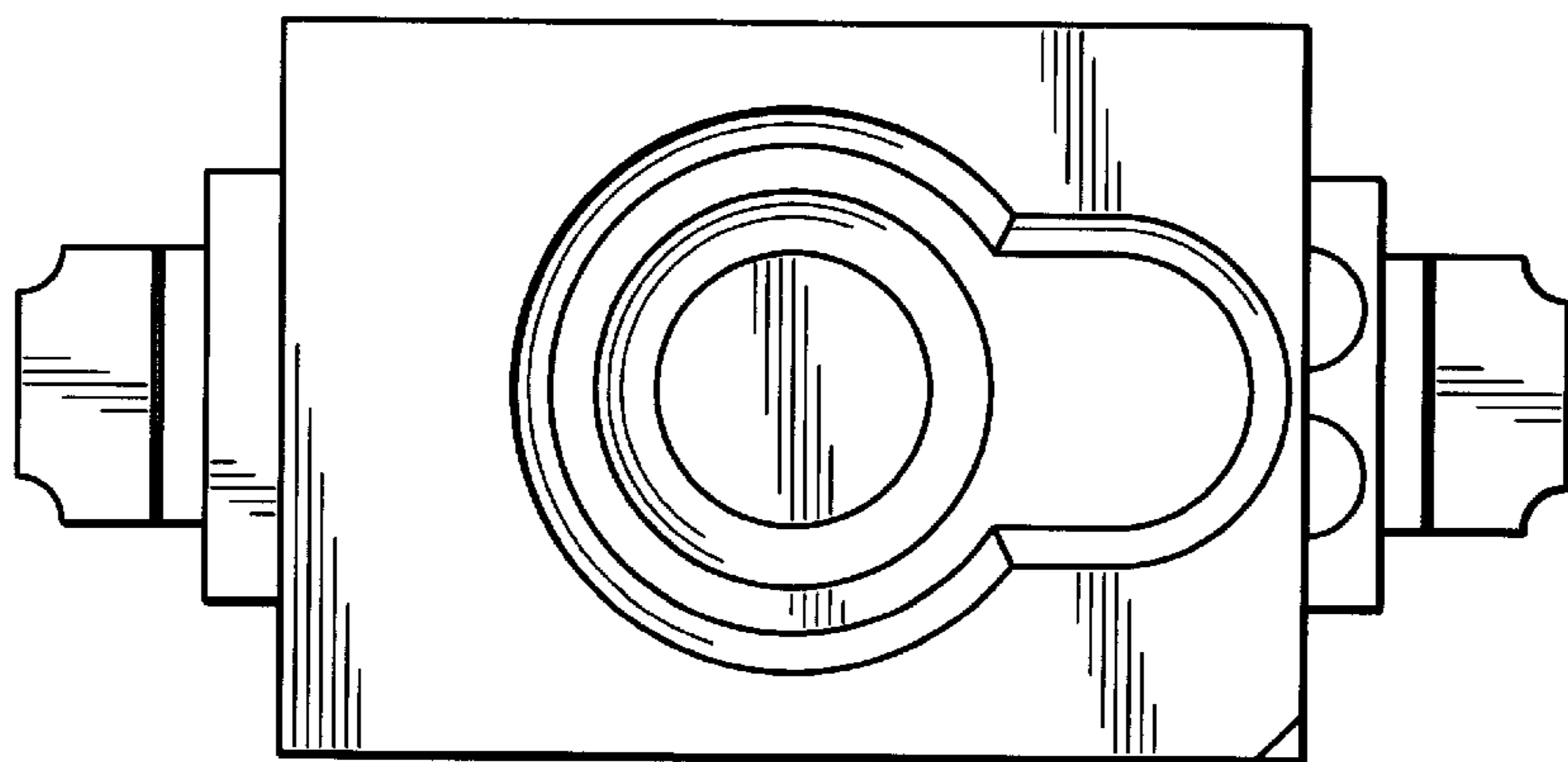


FIG. 3

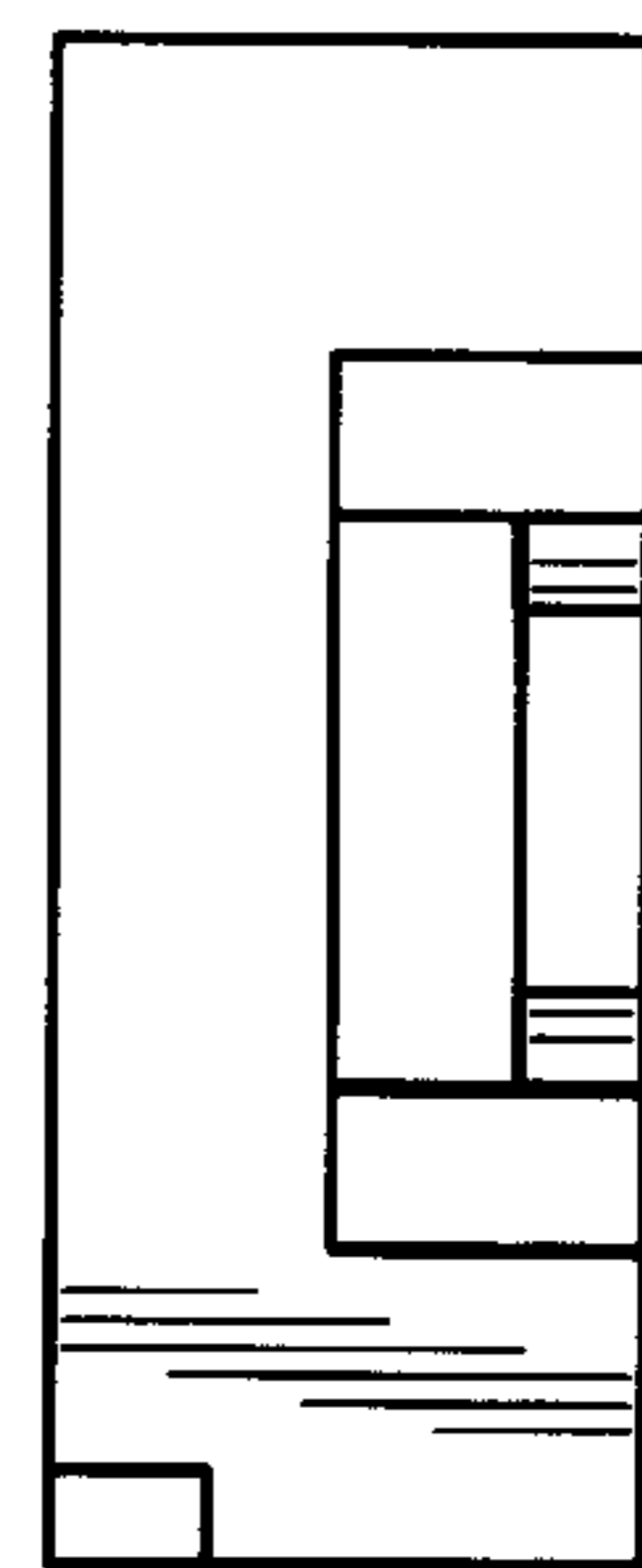


FIG. 4

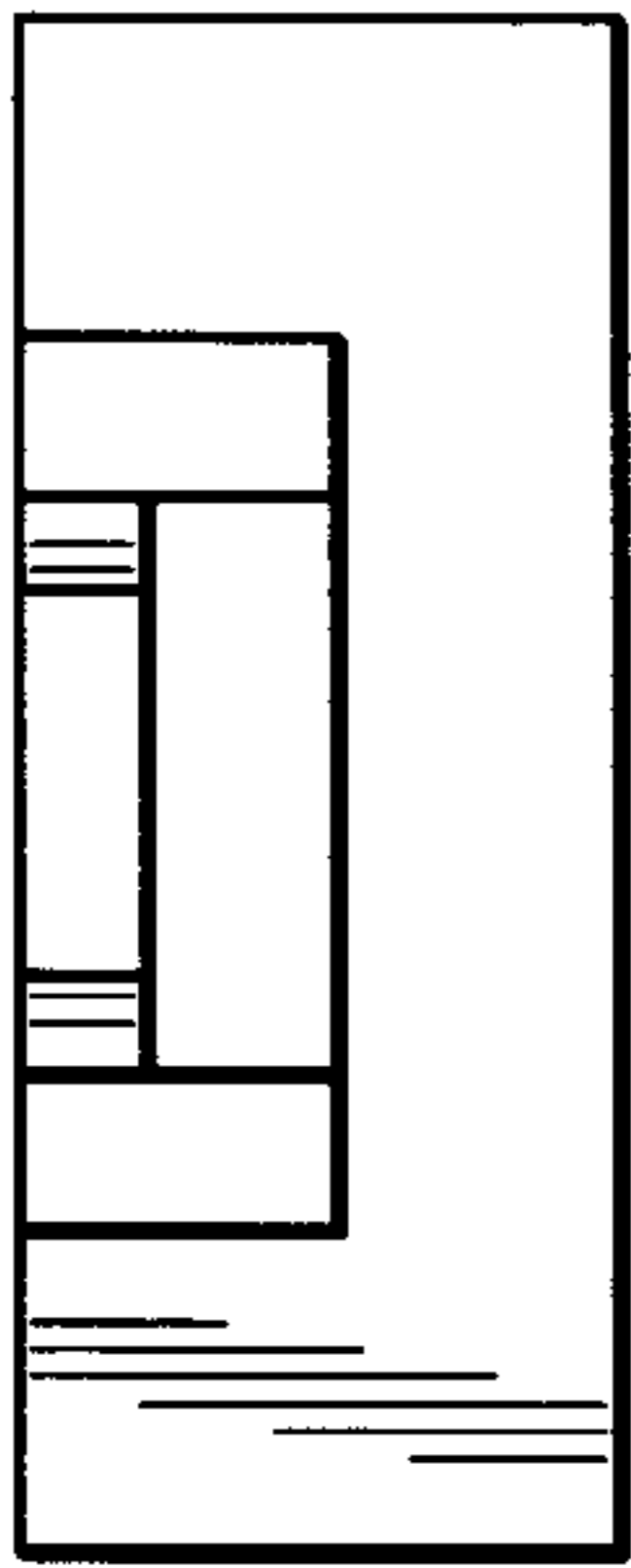


FIG. 5

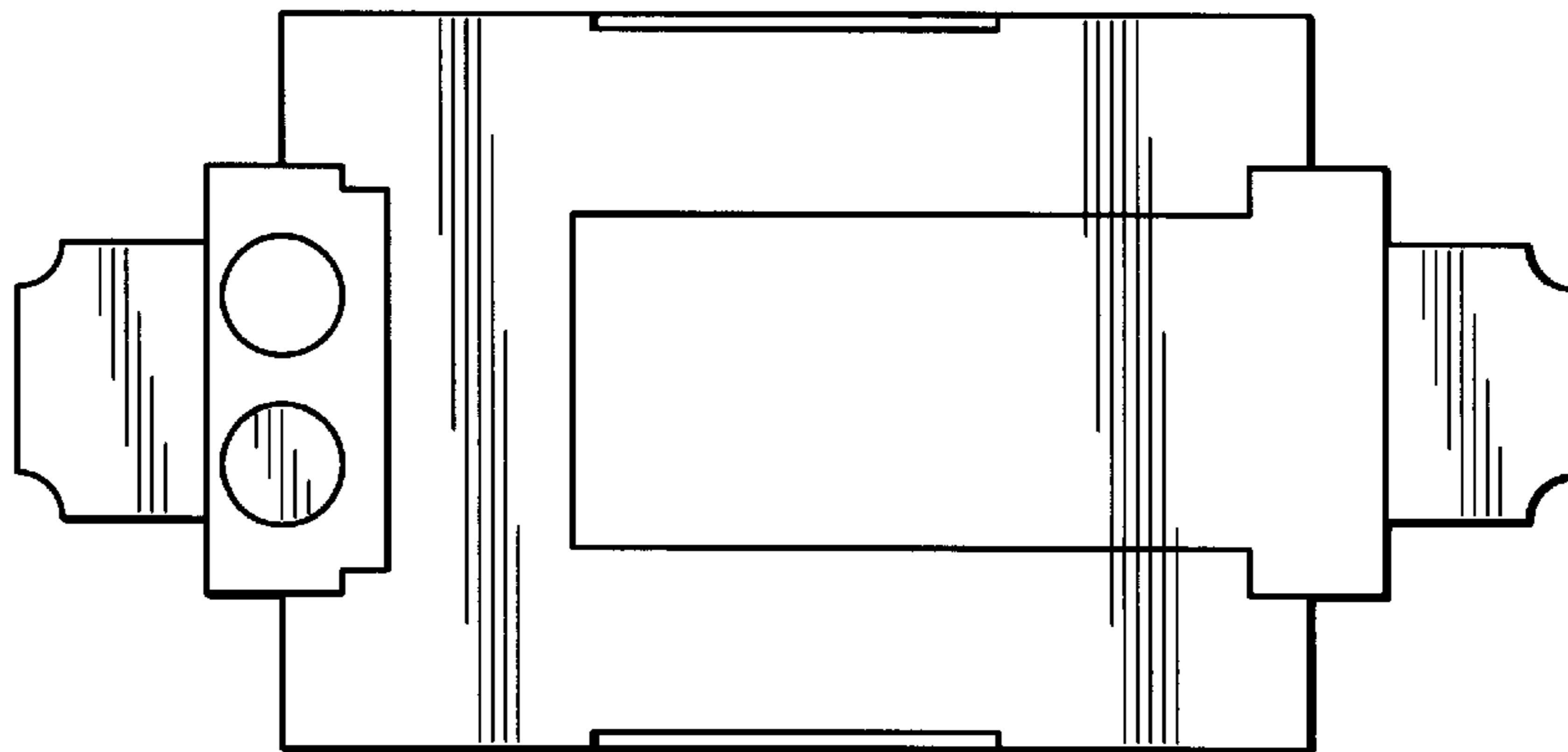


FIG. 6

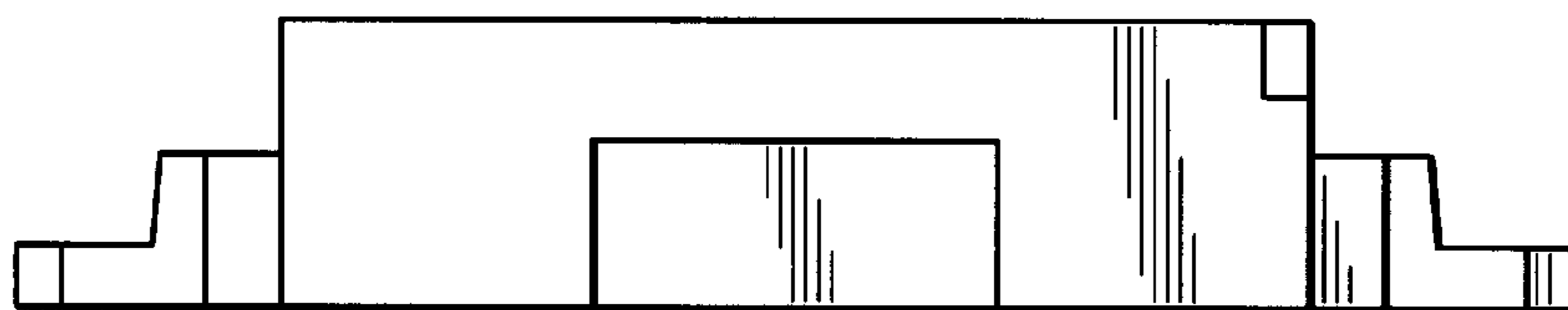


FIG. 7