



US00D531138S

(12) **United States Design Patent**
Ness et al.

(10) **Patent No.:** US D531,138 S
(45) **Date of Patent:** ** Oct. 31, 2006

(54) **POWER CONTROLLER HEAT SINK**

(75) Inventors: **Keith D. Ness**, Winona, MN (US);
Theodore T. Von Arx, La Crescent,
MN (US)

(73) Assignee: **Watlow Electric Manufacturing
Company**, St. Louis, MO (US)

(**) Term: **14 Years**

(21) Appl. No.: **29/252,386**

(22) Filed: **Jan. 20, 2006**

(51) **LOC (8) Cl.** **13-03**

(52) **U.S. Cl.** **D13/179**

(58) **Field of Classification Search** D13/179;
D23/370; 165/80.3, 104.33, 121, 122, 146,
165/180, 185; 174/16.3; 257/706, 707, 718-722;
361/271, 274.3, 695, 697, 700, 702, 704,
361/709-711

See application file for complete search history.

(56) **References Cited**

U.S. PATENT DOCUMENTS

D315,832 S * 4/1991 Rocheleau et al. D13/179
D338,449 S * 8/1993 Sahyoun D13/179
5,305,185 A * 4/1994 Samarov et al. 361/704

D384,040 S * 9/1997 Frerichs et al. D13/179
D399,831 S * 10/1998 Dodson D13/179
5,844,312 A * 12/1998 Hinshaw et al. 257/718
D406,112 S * 2/1999 Hargroves et al. D13/179
6,075,703 A * 6/2000 Lee 361/707
6,079,486 A * 6/2000 Cennamo et al. 165/80.3
D450,044 S * 11/2001 Lindstrom D13/179
6,470,962 B1 * 10/2002 Pao 165/80.3
6,735,084 B1 * 5/2004 Choi et al. 361/704

* cited by examiner

Primary Examiner—Selina Sikder

(74) *Attorney, Agent, or Firm*—Harness, Dickey & Pierce,
P.L.C.

(57) **CLAIM**

The ornamental design for a power controller heat sink, as
shown and described.

DESCRIPTION

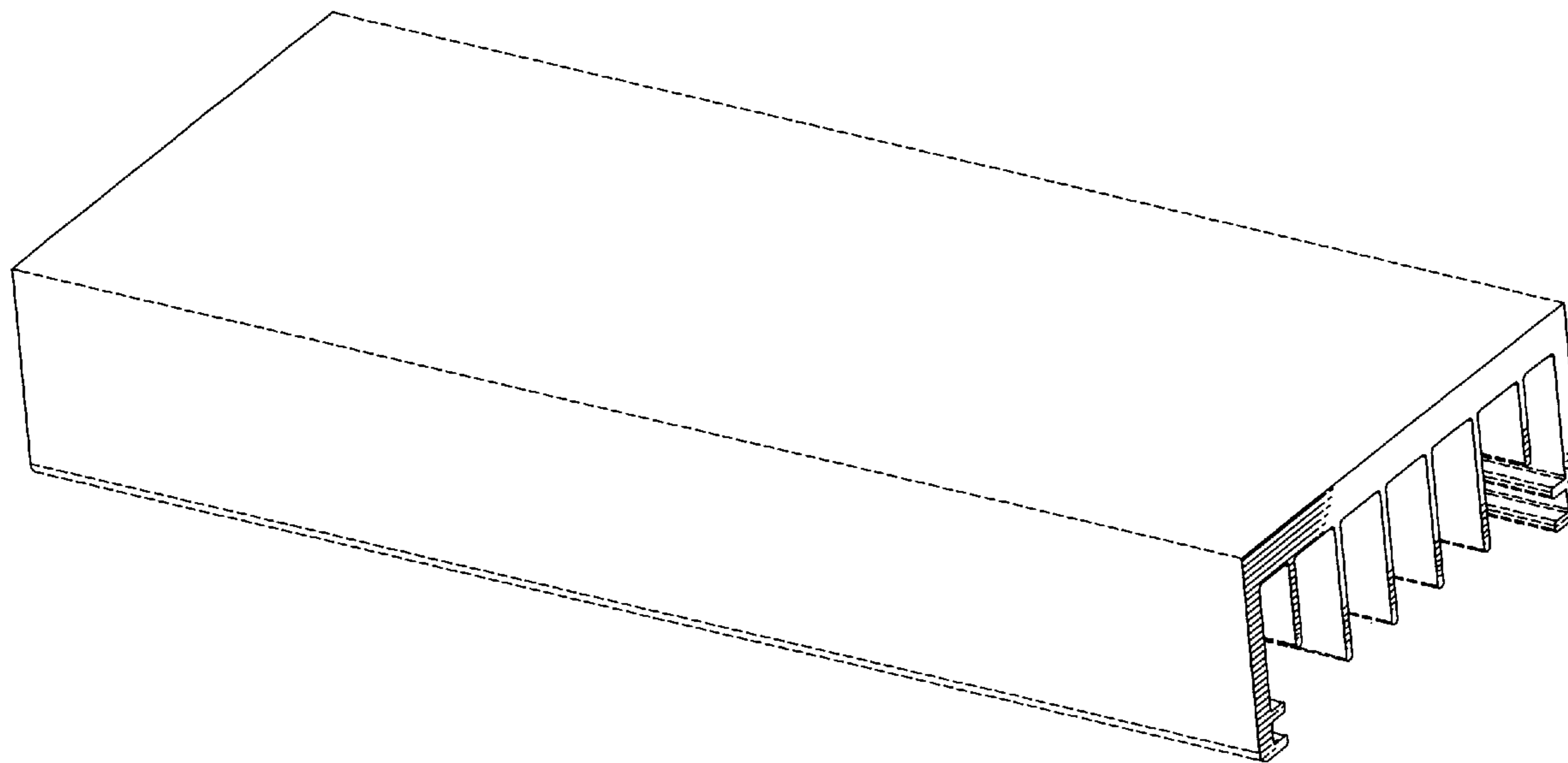
FIG. 1 is a top perspective view of the power controller heat
sink;

FIG. 2 is a bottom perspective view thereof; and,

FIG. 3 is a side view thereof.

The broken lines are included for the purpose of illustrating
environmental structure and form no part of the claimed
design.

1 Claim, 3 Drawing Sheets



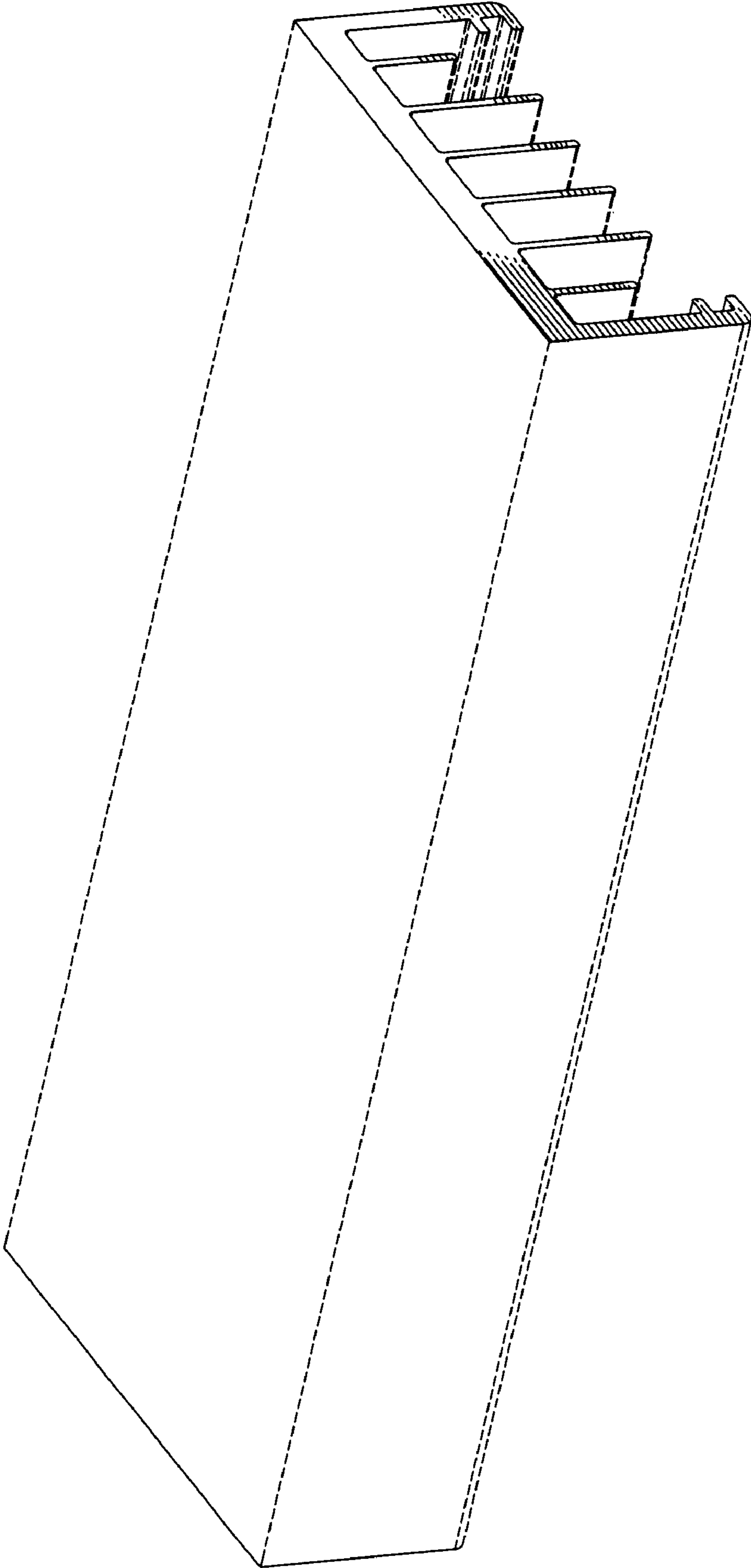


FIG. 1

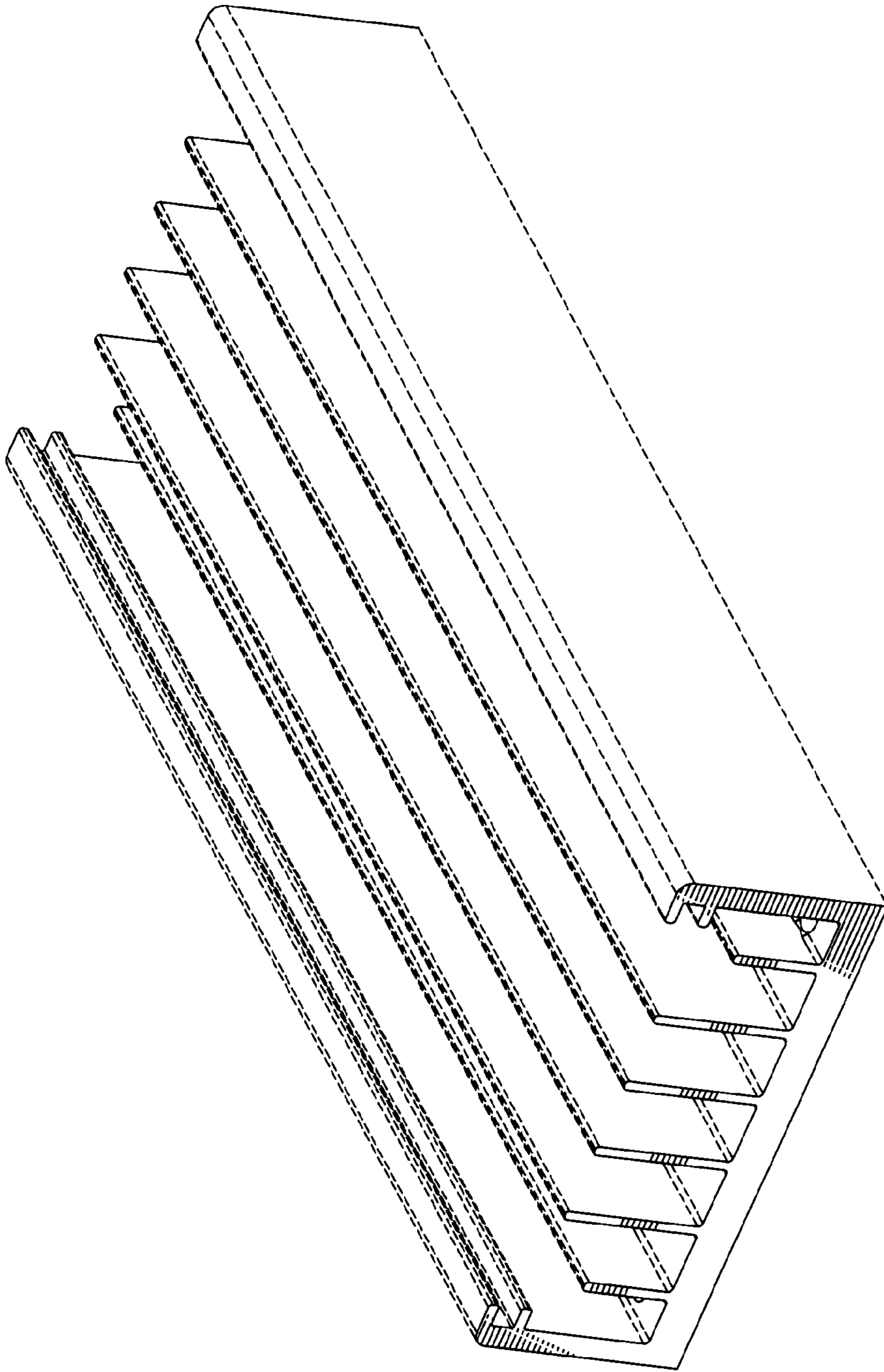


FIG. 2

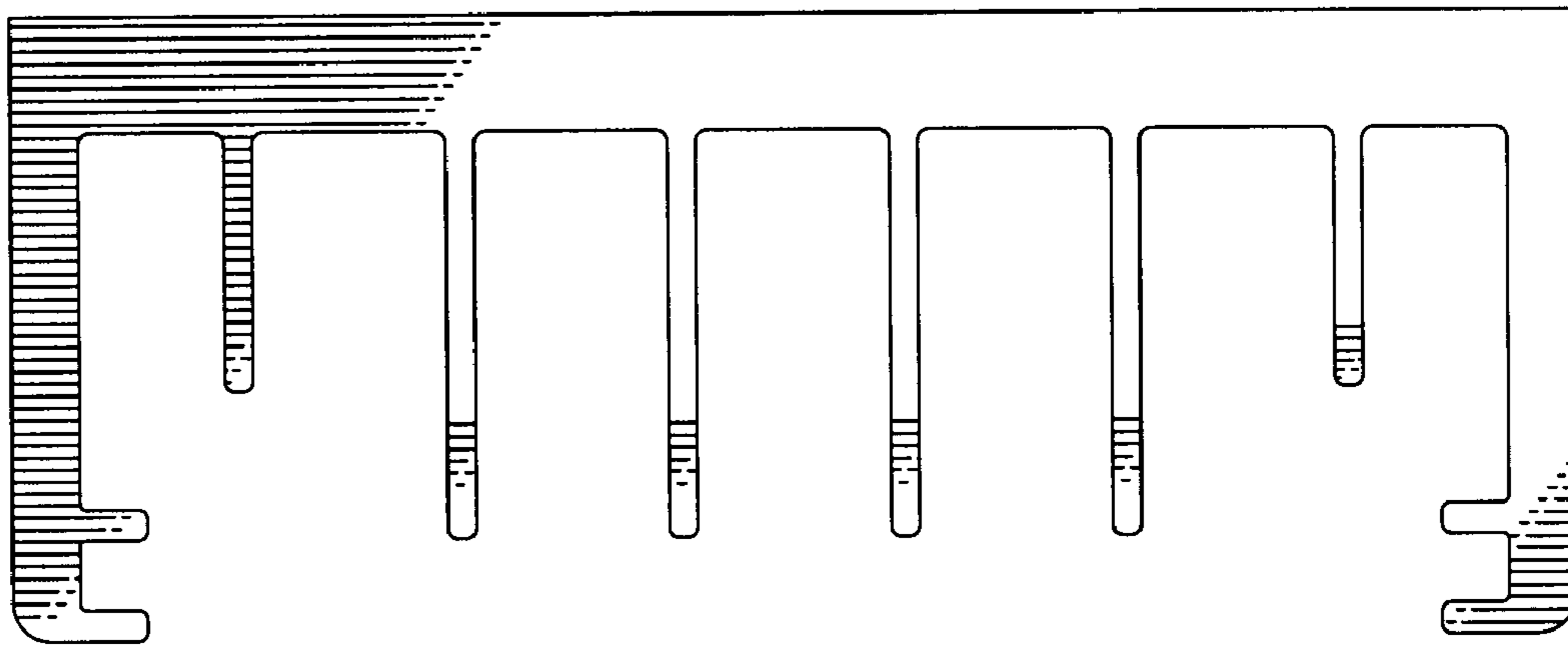


FIG. 3