



US00D531135S

(12) **United States Design Patent**  
**Fujita**

(10) **Patent No.:** **US D531,135 S**  
(45) **Date of Patent:** **\*\* Oct. 31, 2006**

(54) **PHOTOELECTRIC SWITCH**  
(75) Inventor: **Masahiro Fujita**, Kasugai (JP)  
(73) Assignee: **Sunx Limited**, Aichi-Ken (JP)  
(\*\*) Term: **14 Years**

JP 1130469 1/2002  
JP 1179082 7/2003

\* cited by examiner

*Primary Examiner*—Selina Sikder  
(74) *Attorney, Agent, or Firm*—Sheridan Ross P.C.

(21) Appl. No.: **29/235,692**  
(22) Filed: **Aug. 3, 2005**

(57) **CLAIM**

The ornamental design for a photoelectric switch, as shown and described.

(30) **Foreign Application Priority Data**

**DESCRIPTION**

Mar. 31, 2005 (JP) ..... 2005-009796  
Mar. 31, 2005 (JP) ..... 2005-009797  
Mar. 31, 2005 (JP) ..... 2005-009798

FIG. 1 is a perspective view of a photoelectric switch showing my new design;

FIG. 2 is a front view thereof, the rear view being a mirror image of the FIG. 2;

(51) **LOC (8) Cl.** ..... **13-03**

(52) **U.S. Cl.** ..... **D13/165**

(58) **Field of Classification Search** ..... D13/165;  
250/214 A, 221, 222.1; 340/540, 555, 556,  
340/557, 815.4; 345/1.1, 156, 165  
See application file for complete search history.

FIG. 3 is a top plan view thereof;

FIG. 4 is a bottom plan view thereof;

FIG. 5 is a right side elevational view thereof;

FIG. 6 is a left side elevational view thereof; and

FIG. 7 is a perspective view with the cover in the open position.

(56) **References Cited**

**U.S. PATENT DOCUMENTS**

5,712,477 A \* 1/1998 Delaney et al. .... 250/221  
6,011,467 A \* 1/2000 Kamei et al. .... 340/540  
6,094,272 A \* 7/2000 Okamoto ..... 356/402  
6,492,650 B1 \* 12/2002 Imai et al. .... 250/551  
6,717,523 B1 \* 4/2004 Sugiyama ..... 340/815.4  
D495,302 S 8/2004 Fujita et al.  
6,803,556 B1 \* 10/2004 Sugiyama ..... 250/214 A  
6,838,656 B1 \* 1/2005 Okamoto ..... 250/221  
6,894,662 B1 \* 5/2005 Fukumura ..... 345/1.1  
2005/0082465 A1 \* 4/2005 Yamaguchi et al. .... 250/221  
2005/0094920 A1 \* 5/2005 Kamei et al. .... 385/12  
2005/0231360 A1 \* 10/2005 Fujimori et al. .... 340/539.23

FIG. 8 is a perspective view of a photoelectric switch according to a second embodiment of the present design;

FIG. 9 is a front view thereof, the rear view being a mirror image of FIG. 9;

FIG. 10 is a top plan view thereof;

FIG. 11 is a bottom plan view thereof;

FIG. 12 is a right side elevational view thereof;

FIG. 13 is a left side elevational view thereof; and

FIG. 14 is a perspective view with the cover in the open position.

FIG. 15 is a perspective view of a photoelectric switch according to a third embodiment of the present design;

FIG. 16 is a front view thereof, the rear view being a mirror image of FIG. 16;

FIG. 17 is a top plan view thereof;

FIG. 18 is a bottom plan view thereof;

FIG. 19 is a right side elevational view thereof;

FIG. 20 is a left side elevational view thereof; and,

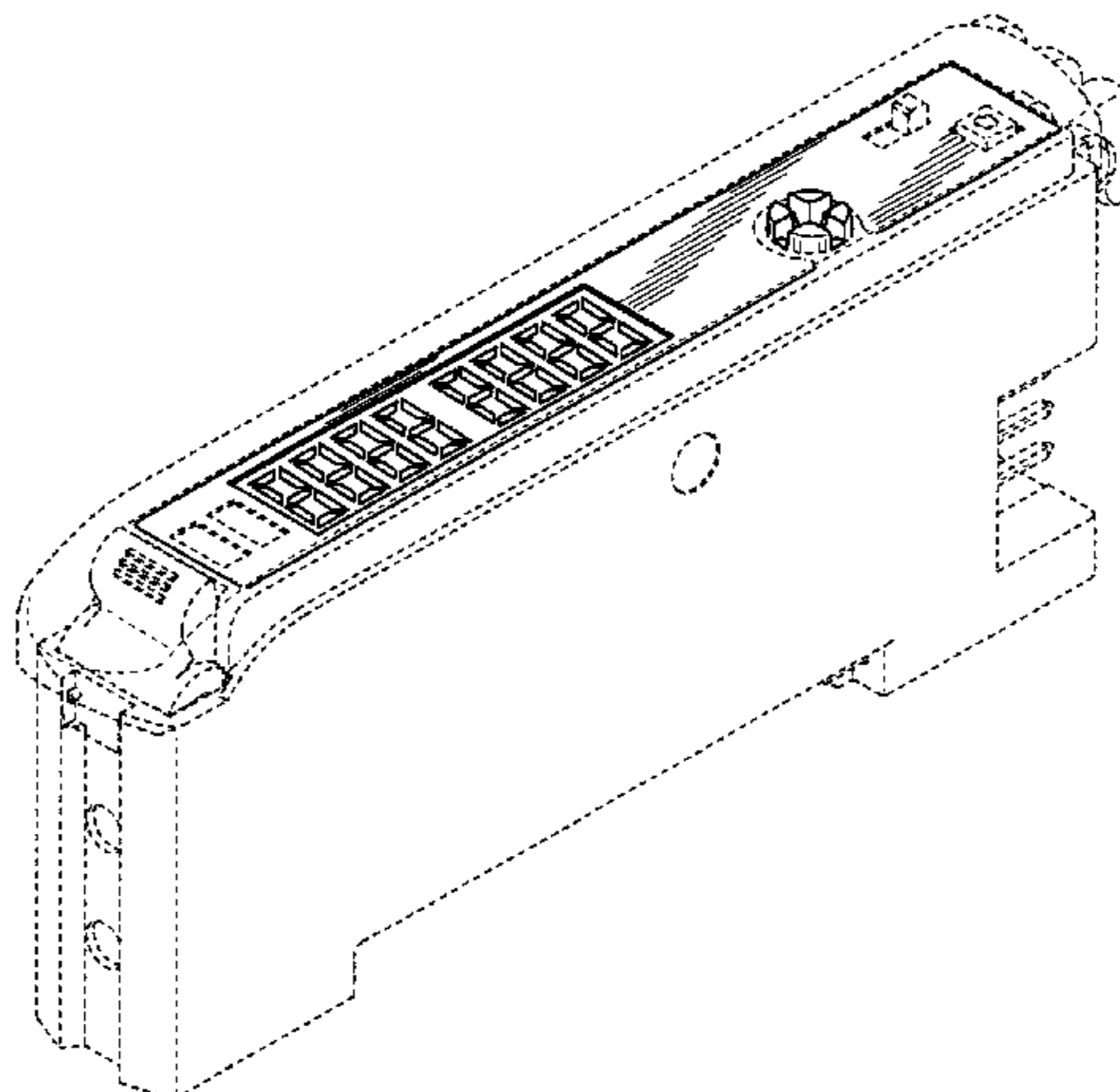
FIG. 21 is a perspective view with the cover in the open position.

The broken lines are shown for illustrative purposes only and form no part of the claimed design.

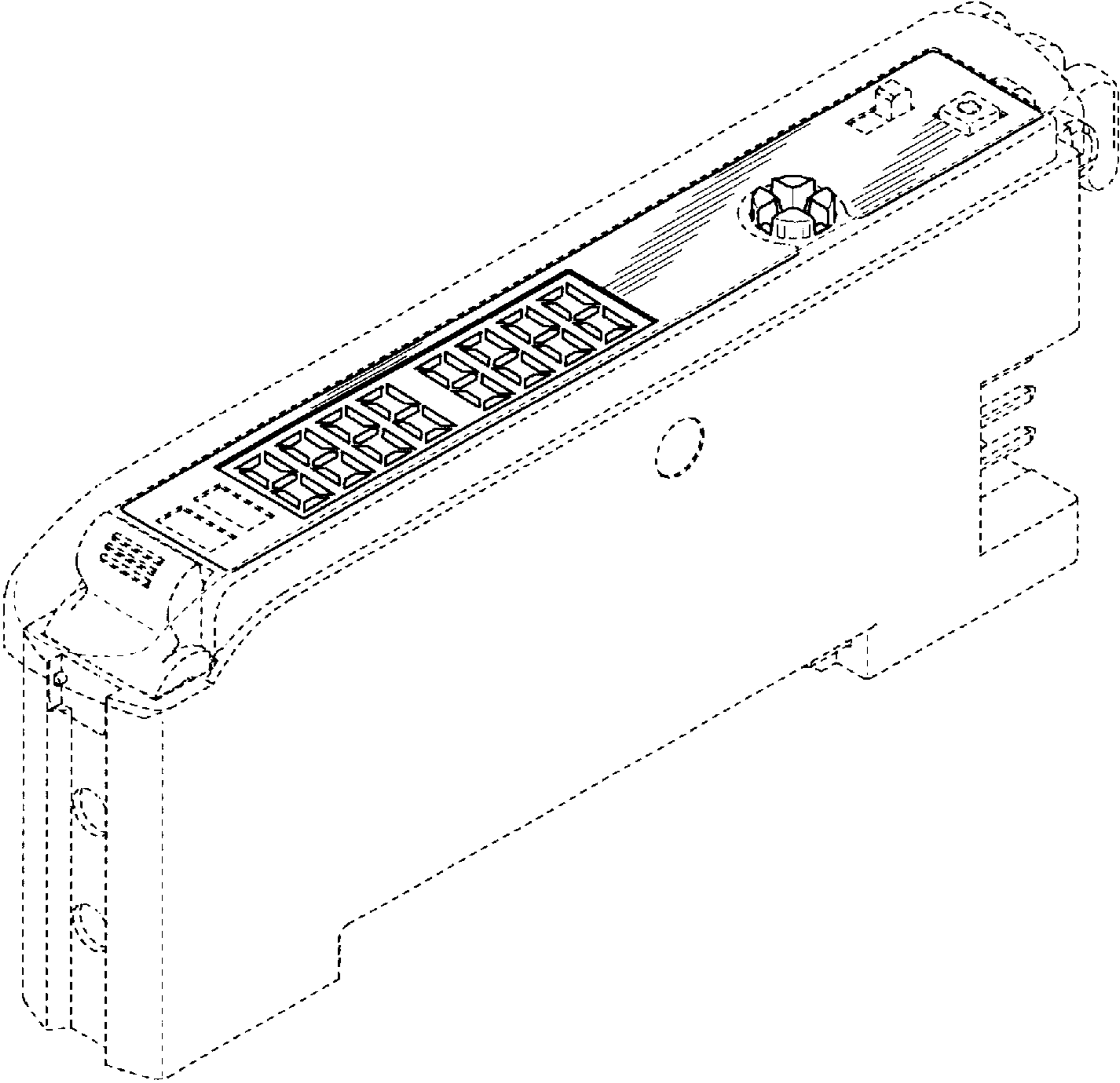
**FOREIGN PATENT DOCUMENTS**

JP 1040207 6/1999  
JP 1040207-1 6/1999  
JP 1040207-2 6/1999  
JP 1040207-3 6/1999  
JP 1075741 6/2000  
JP 1075741-1 9/2000  
JP 1096330 1/2001  
JP 1096332 1/2001

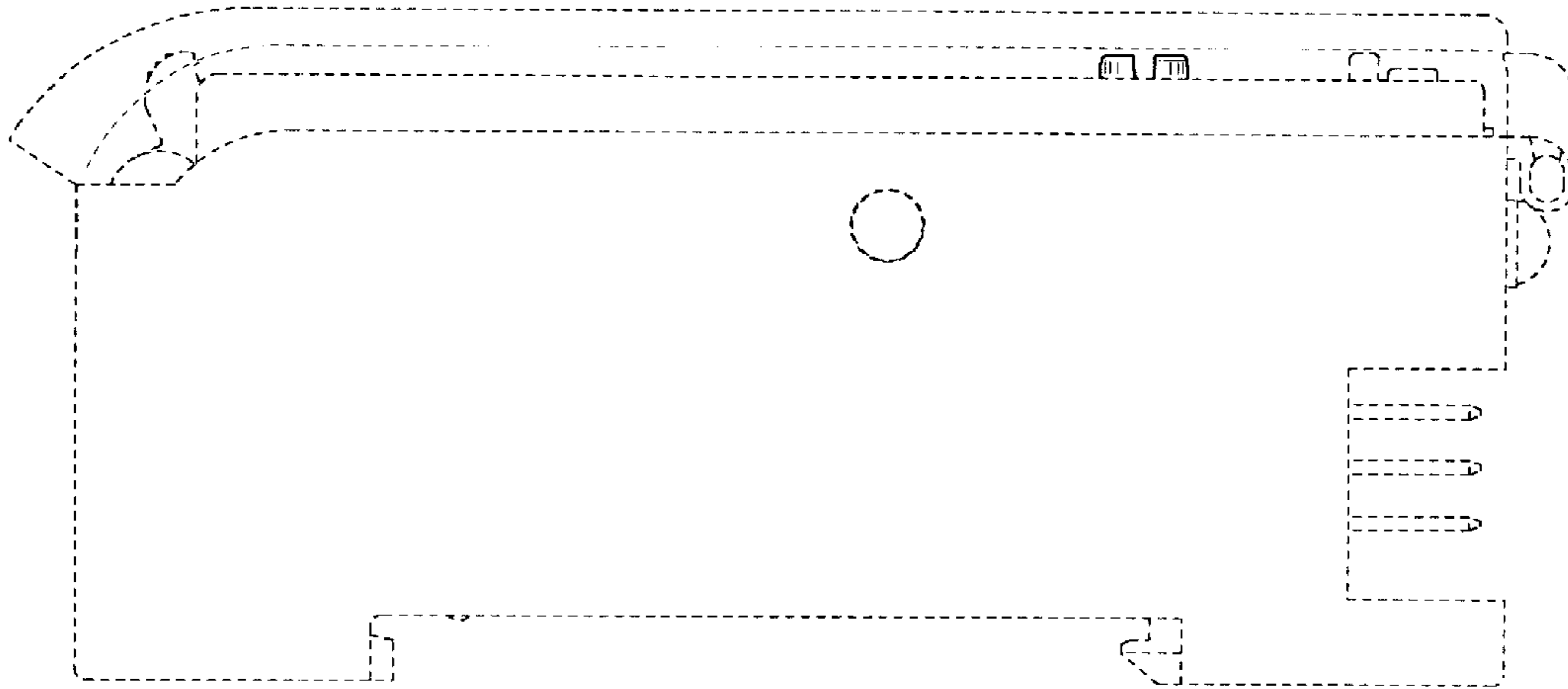
**1 Claim, 9 Drawing Sheets**



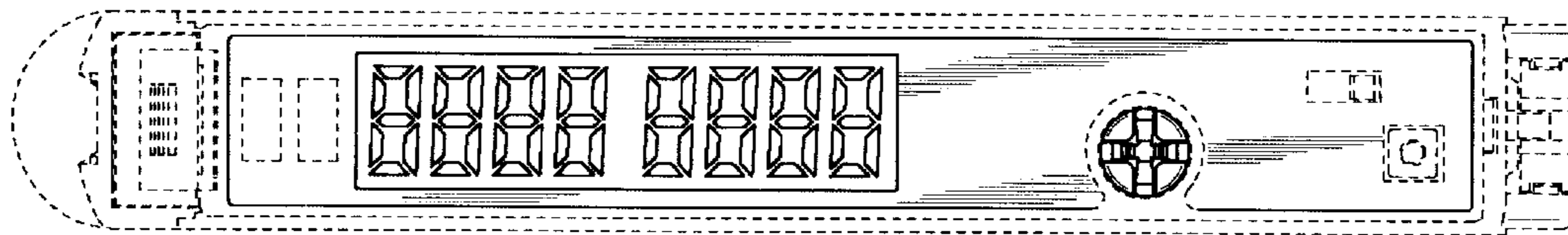
*FIG. 1*



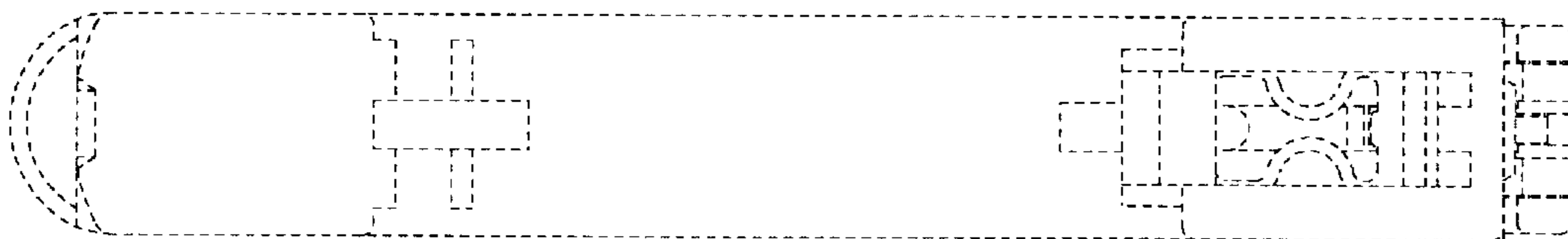
**FIG. 2**



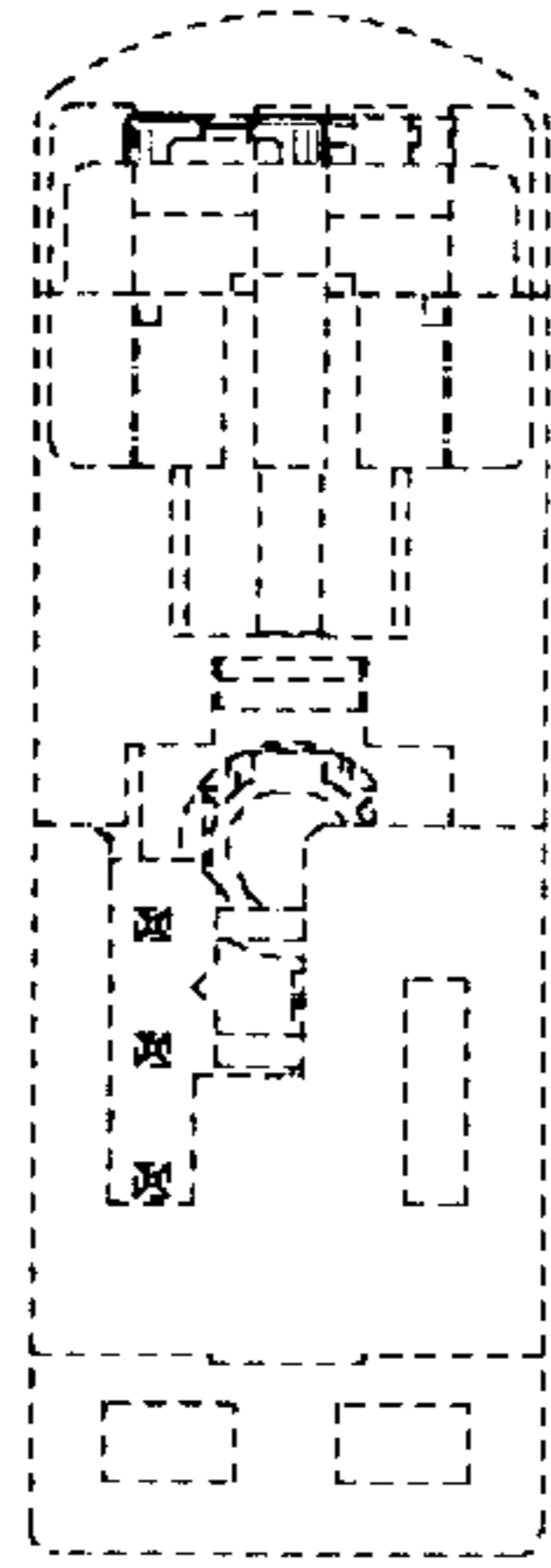
**FIG. 3**



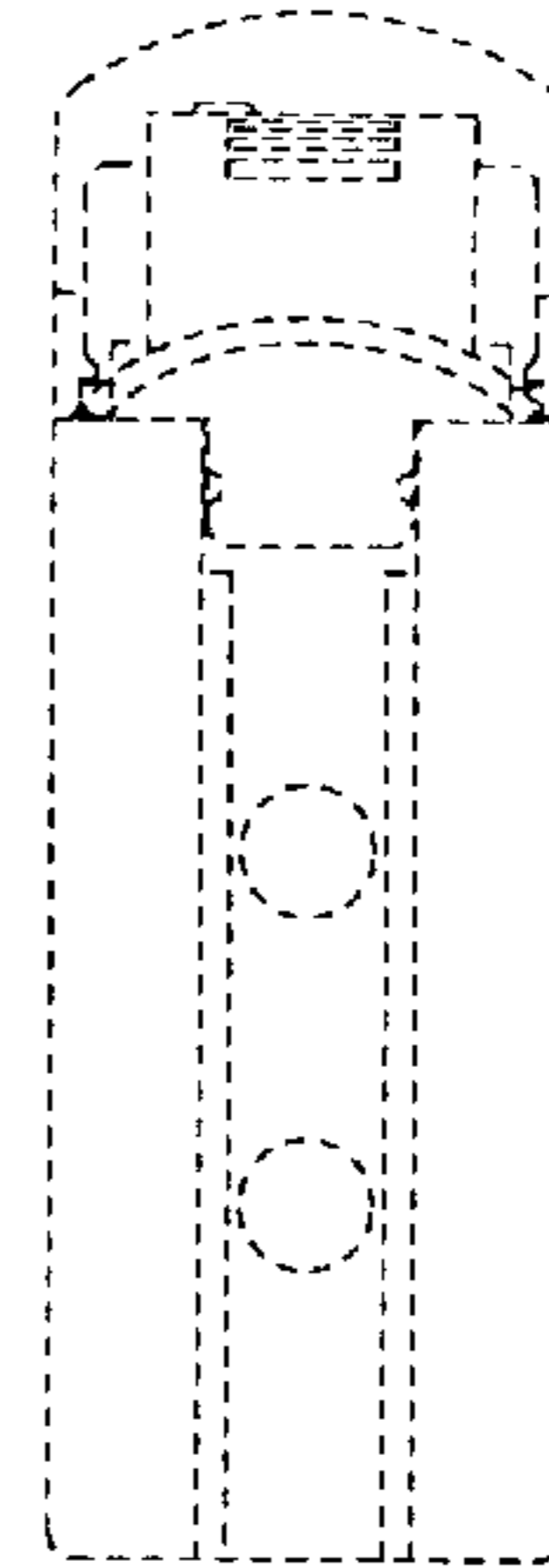
**FIG. 4**



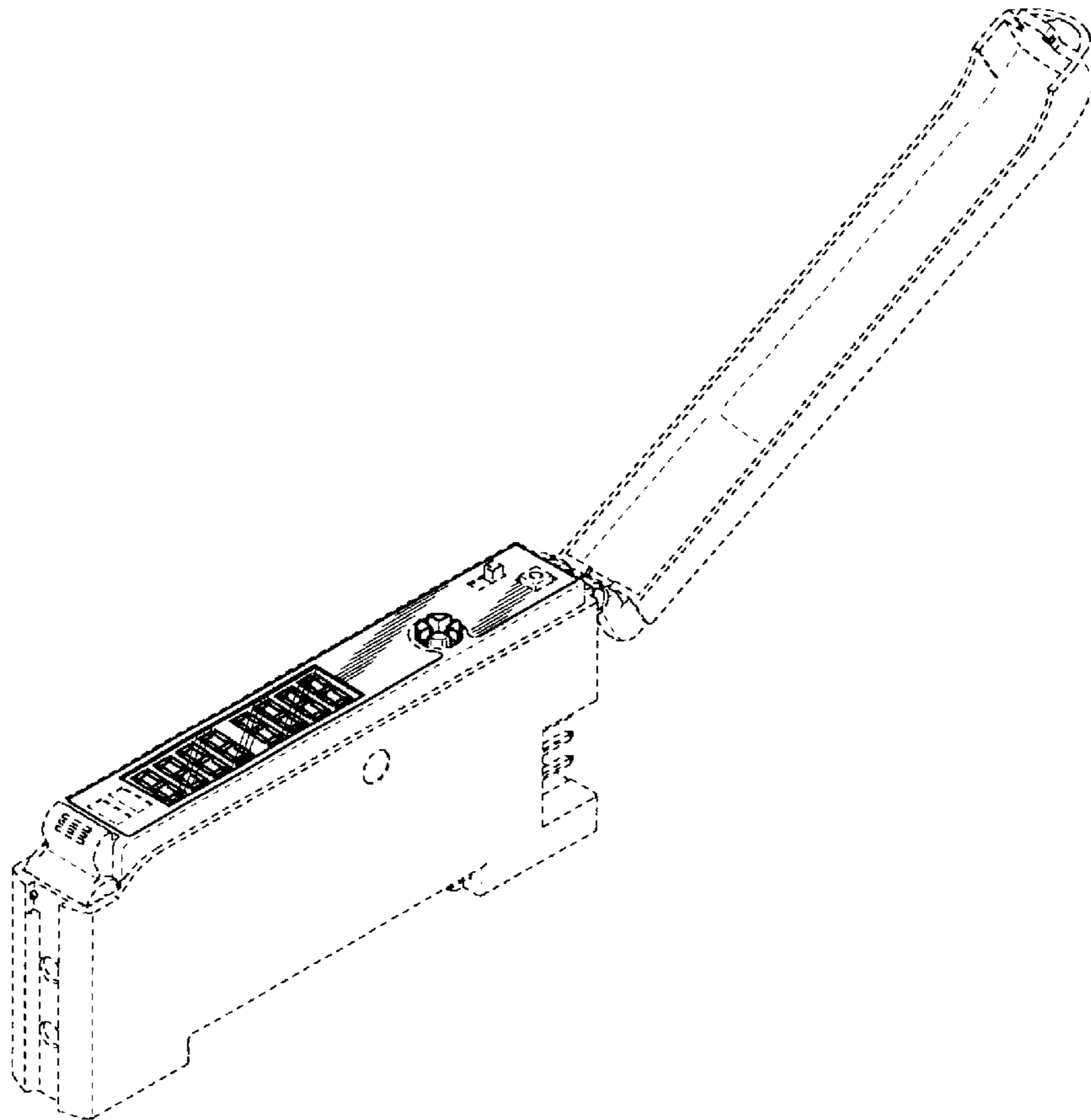
**FIG. 5**



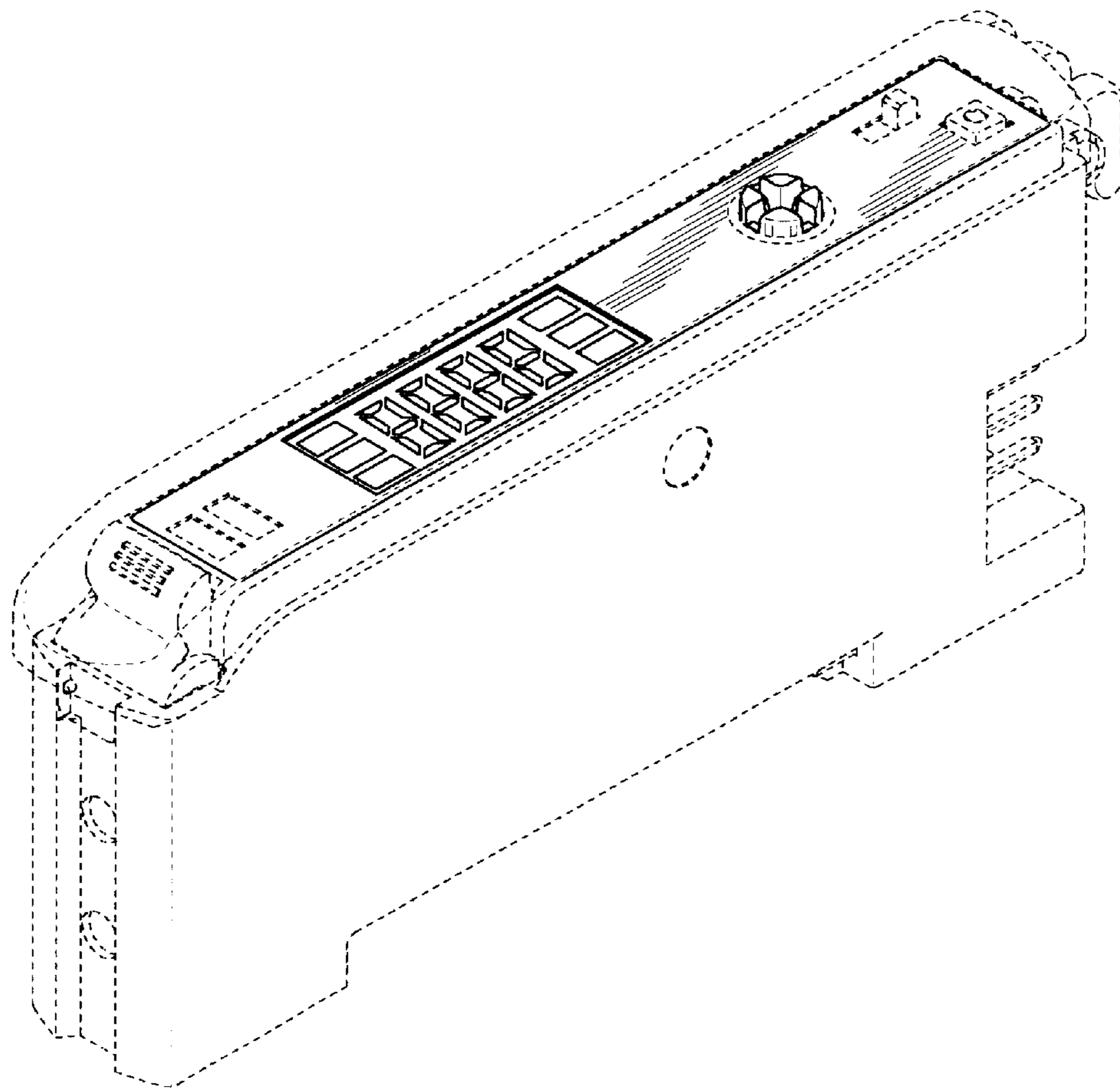
**FIG. 6**



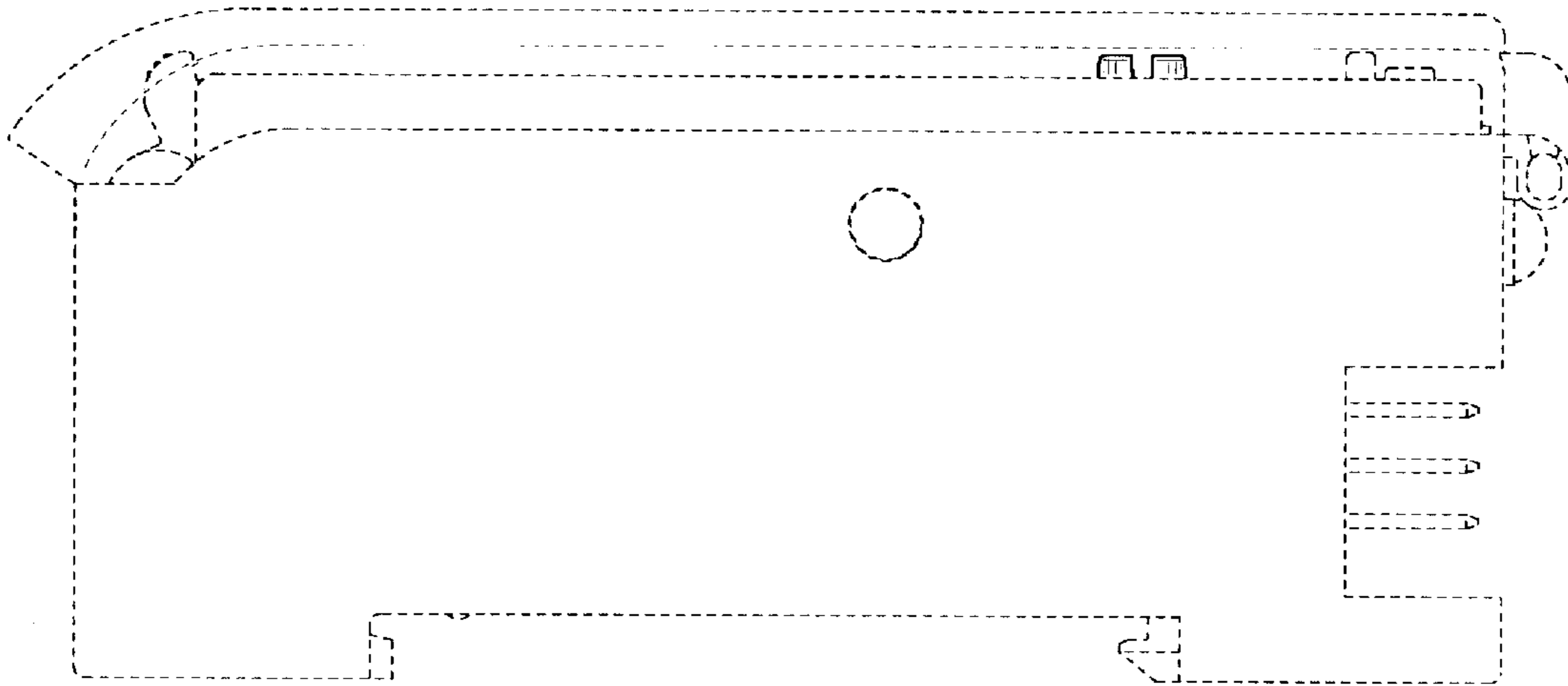
**FIG. 7**



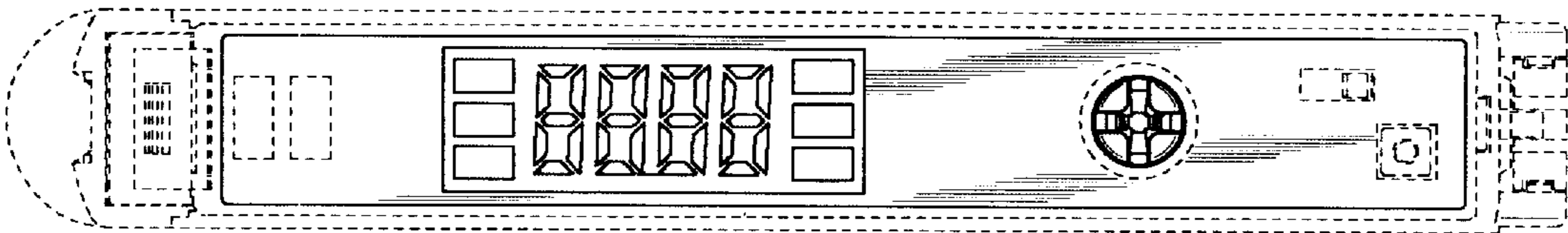
**FIG. 8**



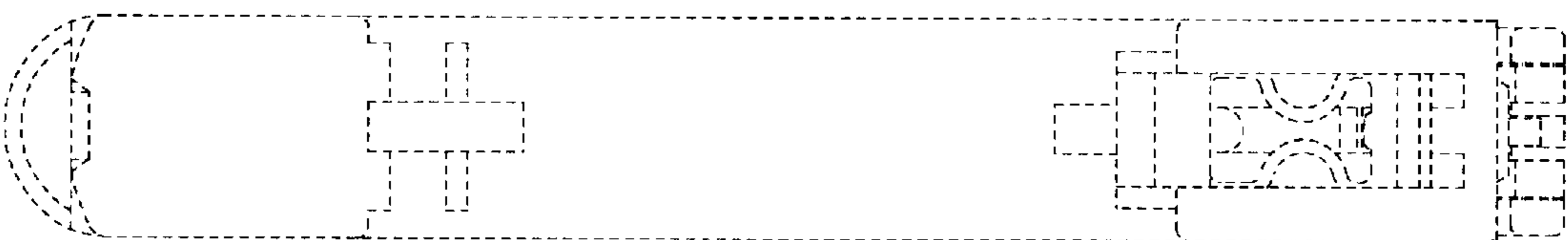
**FIG. 9**



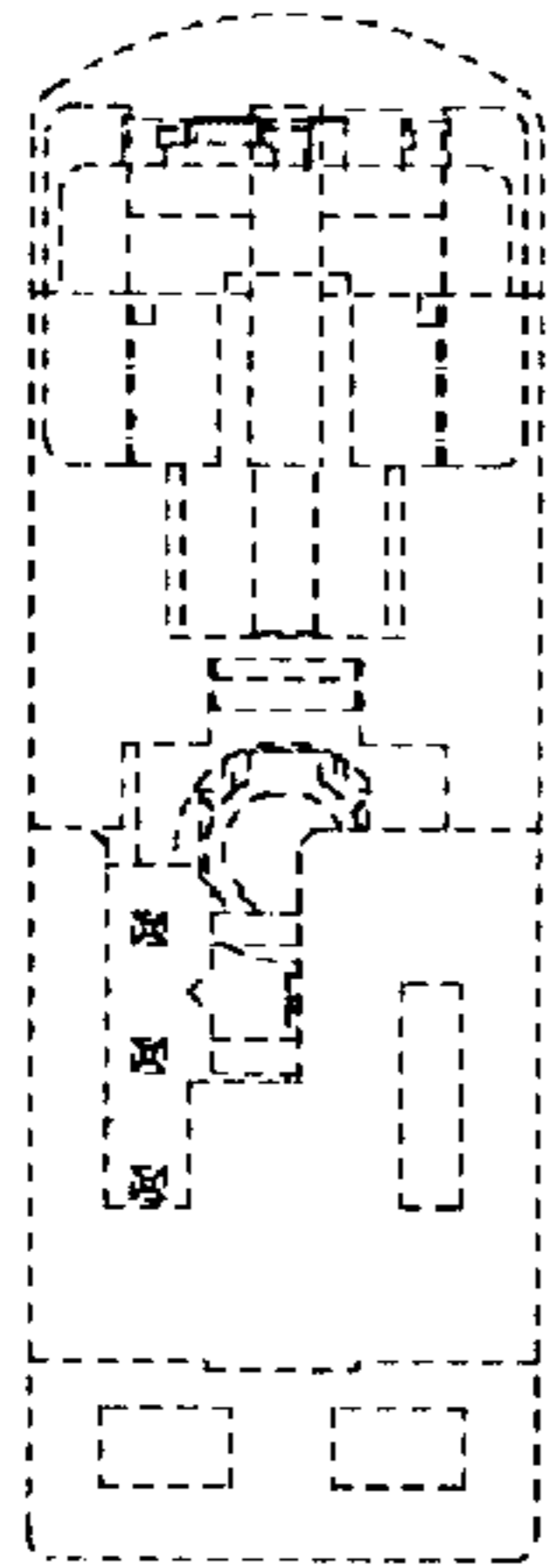
**FIG. 10**



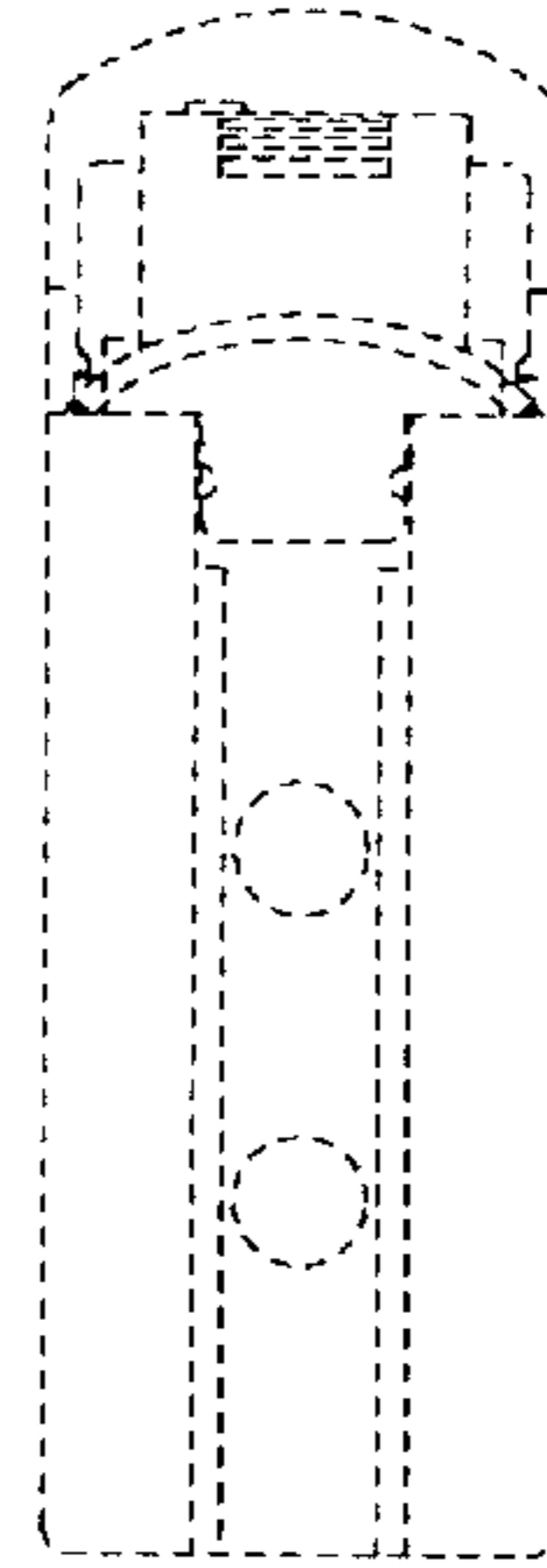
**FIG. 11**



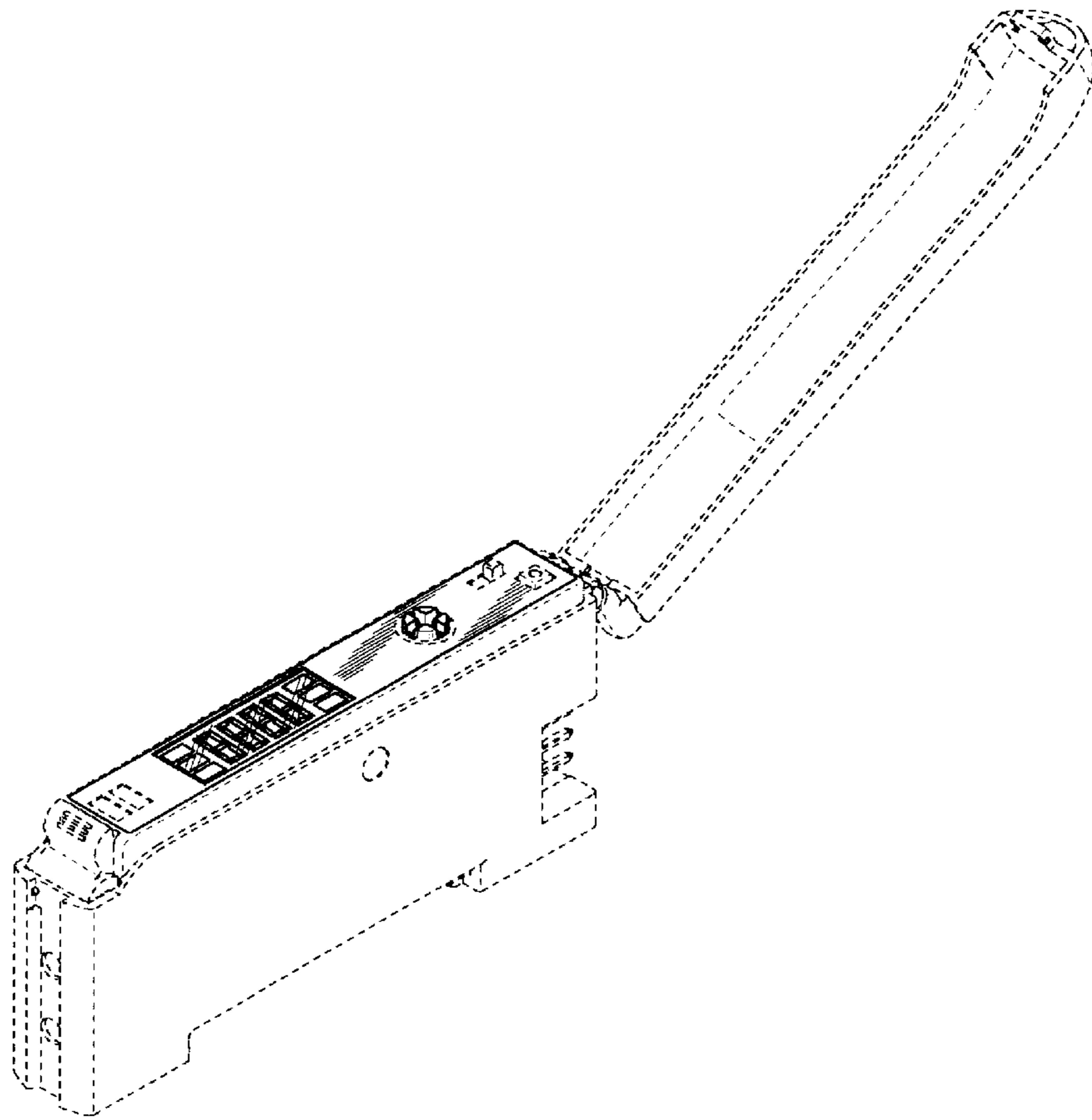
**FIG. 12**



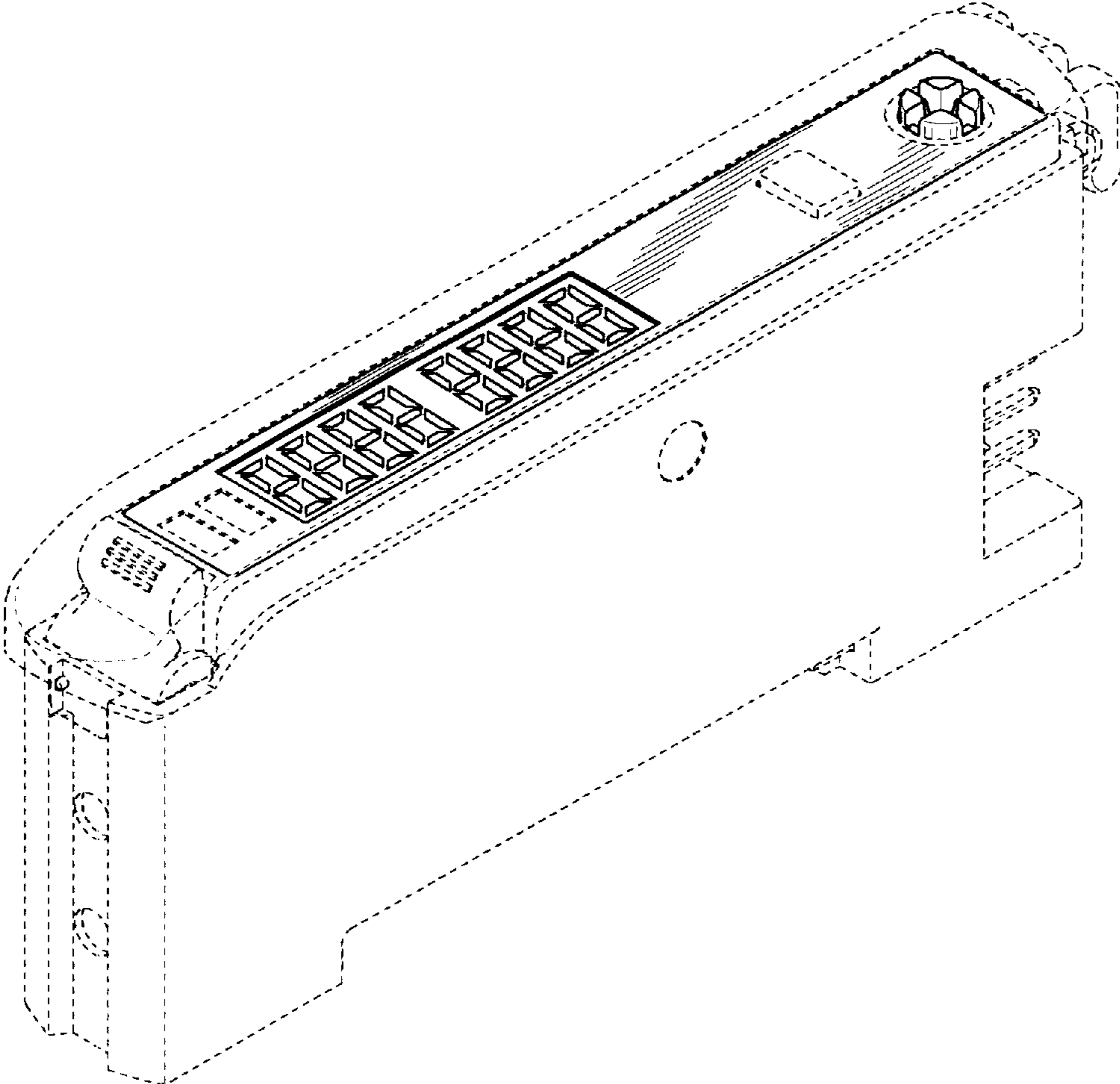
**FIG. 13**



**FIG. 14**

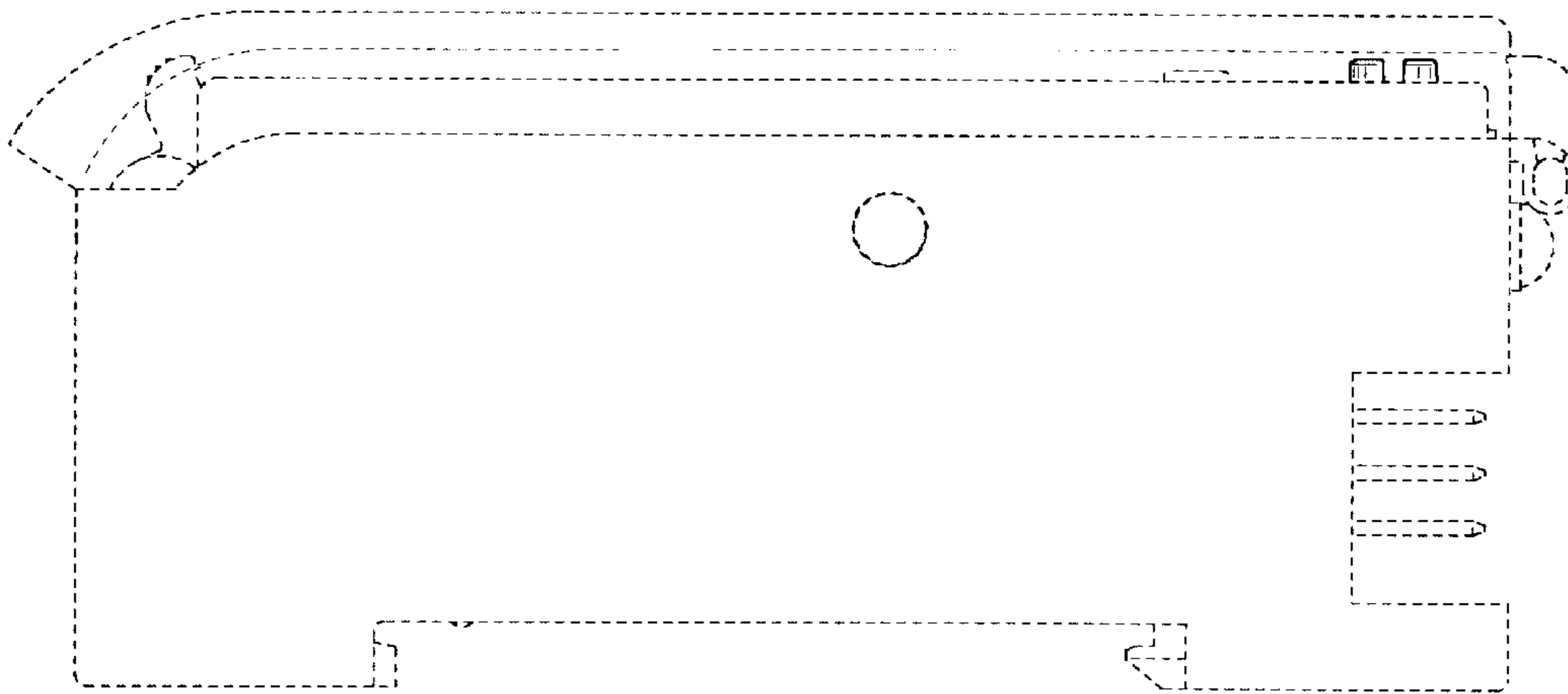


**FIG. 15**

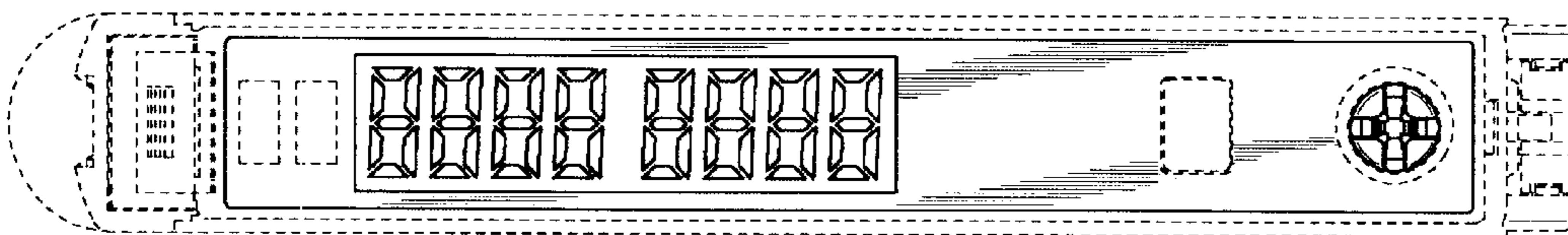




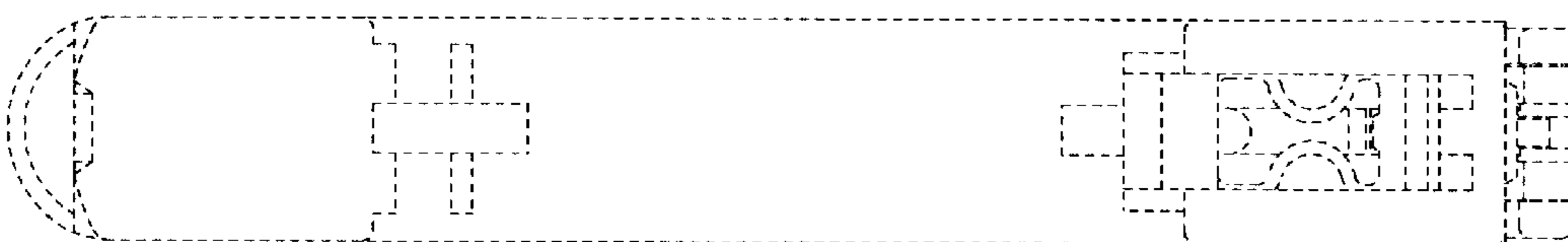
**FIG. 16**



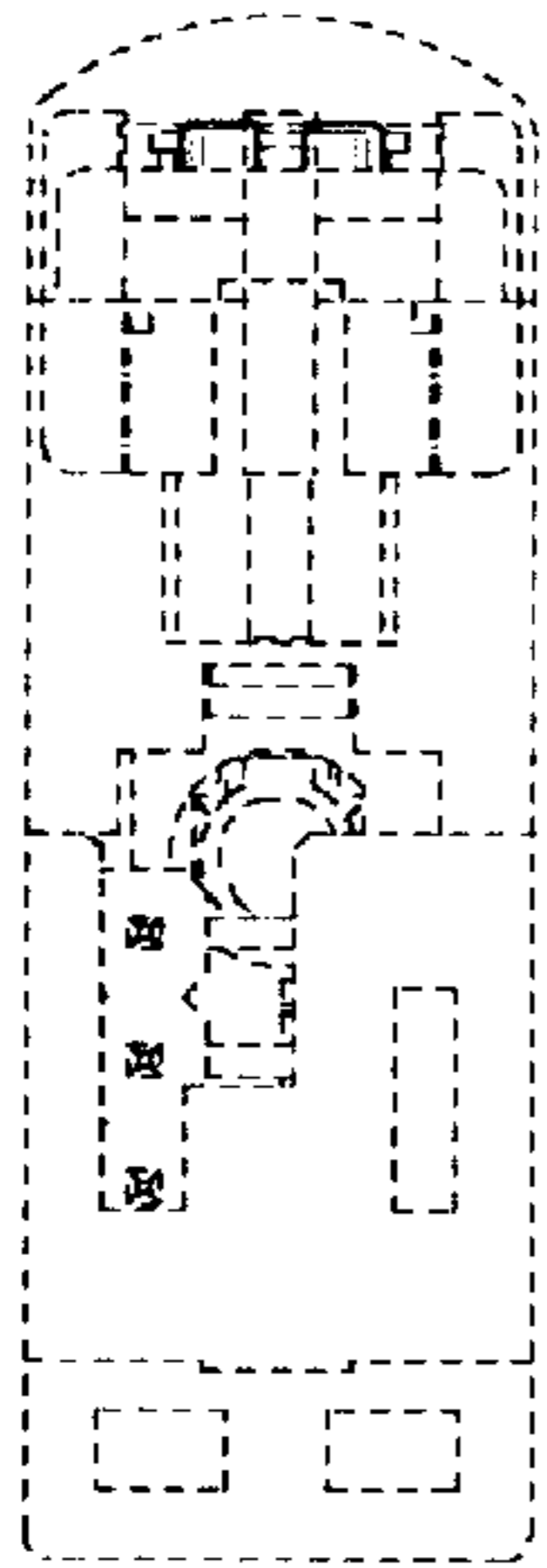
**FIG. 17**



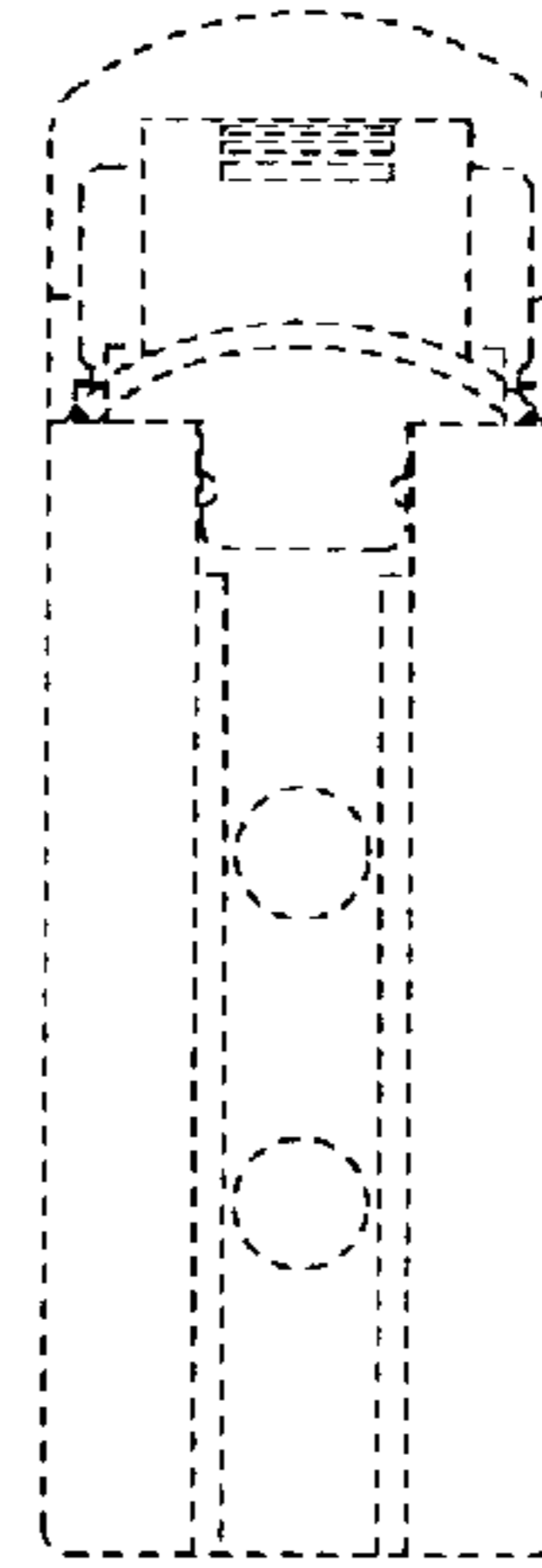
**FIG. 18**



**FIG. 19**



**FIG. 20**



**FIG. 21**

