



US00D531133S

(12) **United States Design Patent**
McCord et al.

(10) **Patent No.:** **US D531,133 S**
(45) **Date of Patent:** **** Oct. 31, 2006**

(54) **HIGH VOLTAGE CAPACITOR SWITCH**

(76) Inventors: **Neil McCord**, 525 Stonehaven Dr.,
Fayetteville, GA (US) 30215; **Joseph R. Rostron**, 148 Darwish Dr.,
McDonough, GA (US) 30252; **John M. Wolka**, 130 Pelham Ct., Fayetteville,
GA (US) 30215

(**) Term: **14 Years**

(21) Appl. No.: **29/205,277**

(22) Filed: **May 12, 2004**

(51) **LOC (8) Cl.** **13-03**

(52) **U.S. Cl.** **D13/158**

(58) **Field of Classification Search** D13/158;
218/143; 361/10, 43, 117

See application file for complete search history.

(56) **References Cited**

U.S. PATENT DOCUMENTS

2,340,827	A	*	2/1944	Thommen	218/4
D209,055	S	*	10/1967	Deal et al.	D13/158
3,538,276	A		11/1970	Leeds		
3,576,414	A	*	4/1971	Mikos	218/143
D239,033	S	*	3/1976	Tilman	D13/158

4,072,998	A	*	2/1978	Schei	361/117
4,547,831	A	*	10/1985	Hellman et al.	361/127
5,317,473	A	*	5/1994	Lundquist et al.	361/117
6,466,425	B1	*	10/2002	Shirakawa et al.	361/117
6,583,978	B1		6/2003	Rostron et al.		
2005/0128662	A1	*	6/2005	Rostron et al.	361/43

* cited by examiner

Primary Examiner—Stella Reid

Assistant Examiner—Selina Sikder

(74) *Attorney, Agent, or Firm*—Michael J. Mehrman;
Mehrman Law Office P.C.

(57) **CLAIM**

The ornamental design for a high voltage capacitor switch,
as shown and described herein.

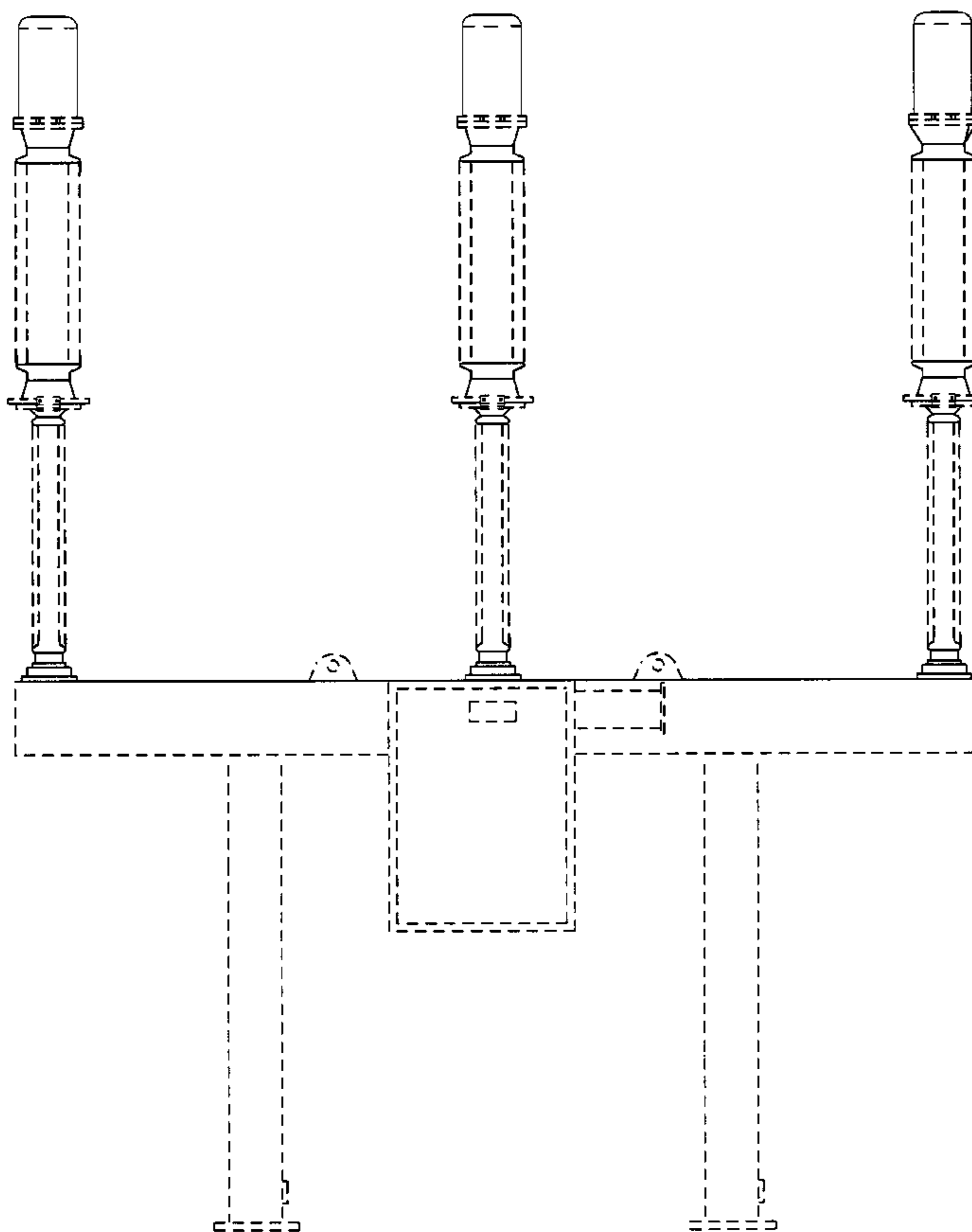
DESCRIPTION

FIG. 1 is a front view of the high voltage capacitor switch.
FIG. 2 is a side view of the high voltage capacitor switch
shown in FIG. 1; and,

FIG. 3 is a top view of the high voltage capacitor switch
shown in FIG. 1.

The broken line showing of the environment is for illustrative
purpose only and forms no part of the claimed design.

1 Claim, 2 Drawing Sheets



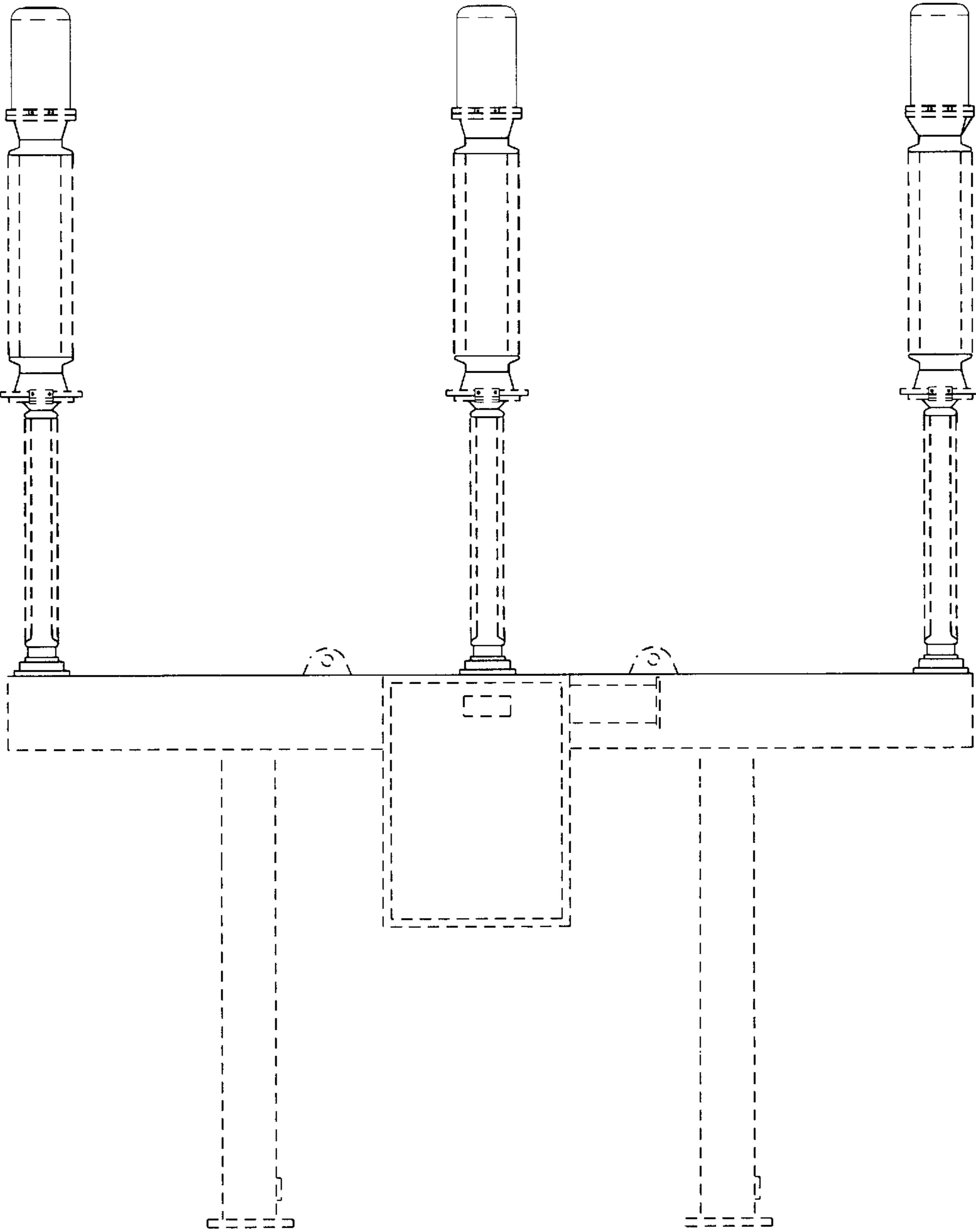


FIG. 1

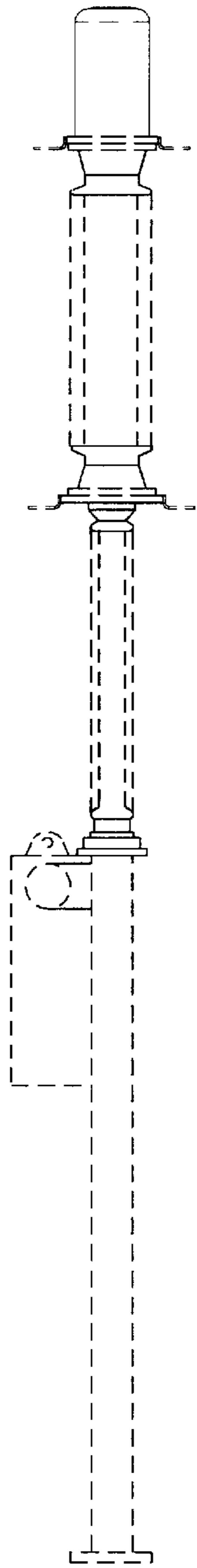


FIG. 2

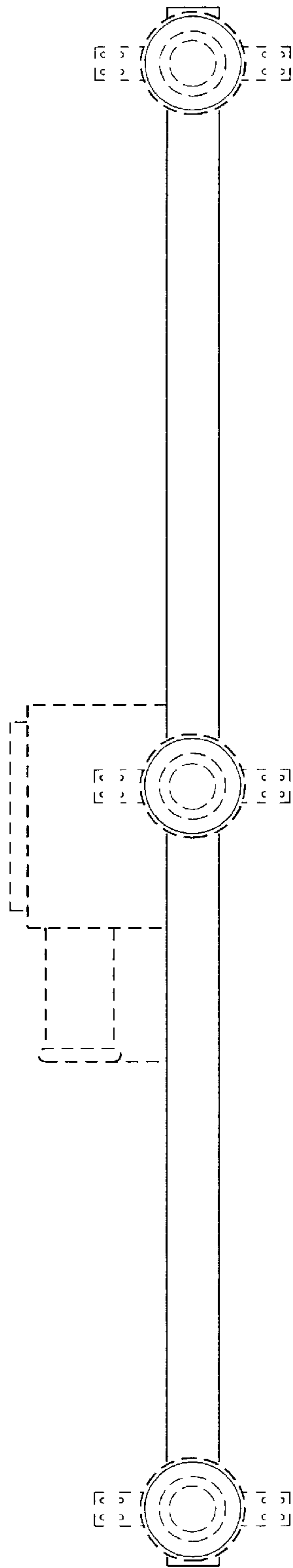


FIG. 3