



US00D531132S

(12) **United States Design Patent**
McCord et al.

(10) **Patent No.:** **US D531,132 S**
(45) **Date of Patent:** **** Oct. 31, 2006**

(54) **THREE-PHASE CAPACITOR SWITCH**

(76) Inventors: **Neil McCord**, 525 Stonehaven Dr.,
Fayetteville, GA (US) 30215; **Joseph R. Rostron**, 148 Darwish Dr.,
McDonough, GA (US) 30252; **Todd A. Douthit**, 145 Dogwood Dr.,
Fayetteville, GA (US) 30214

3,538,276 A 11/1970 Leeds
3,576,414 A * 4/1971 Mikos 218/143
D239,033 S * 3/1976 Tilman D13/158
4,072,998 A * 2/1978 Schei 361/117
4,547,831 A * 10/1985 Hellman et al. 361/127
5,317,473 A * 5/1994 Lundquist et al. 361/117
6,466,425 B1 * 10/2002 Shirakawa et al. 361/117
6,583,978 B1 6/2003 Rostron et al.
2005/0128662 A1 * 6/2005 Rostron et al. 361/43

(**) Term: **14 Years**

* cited by examiner

(21) Appl. No.: **29/205,259**

Primary Examiner—Stella Reid
Assistant Examiner—Selina Sikder

(22) Filed: **May 12, 2004**

(74) *Attorney, Agent, or Firm*—Michael J. Mehrman;
Mehrman Law Office P.C.

Related U.S. Application Data

(63) Continuation-in-part of application No. 10/736,402, filed on
Dec. 15, 2003.

(51) **LOC (8) Cl.** **13-03**

(52) **U.S. Cl.** **D13/158**

(58) **Field of Classification Search** D13/158;
218/143; 361/10, 43, 117

See application file for complete search history.

(56) **References Cited**

U.S. PATENT DOCUMENTS

2,340,827 A * 2/1944 Thommen 218/4
D209,055 S * 10/1967 Deal et al. D13/158

(57) **CLAIM**

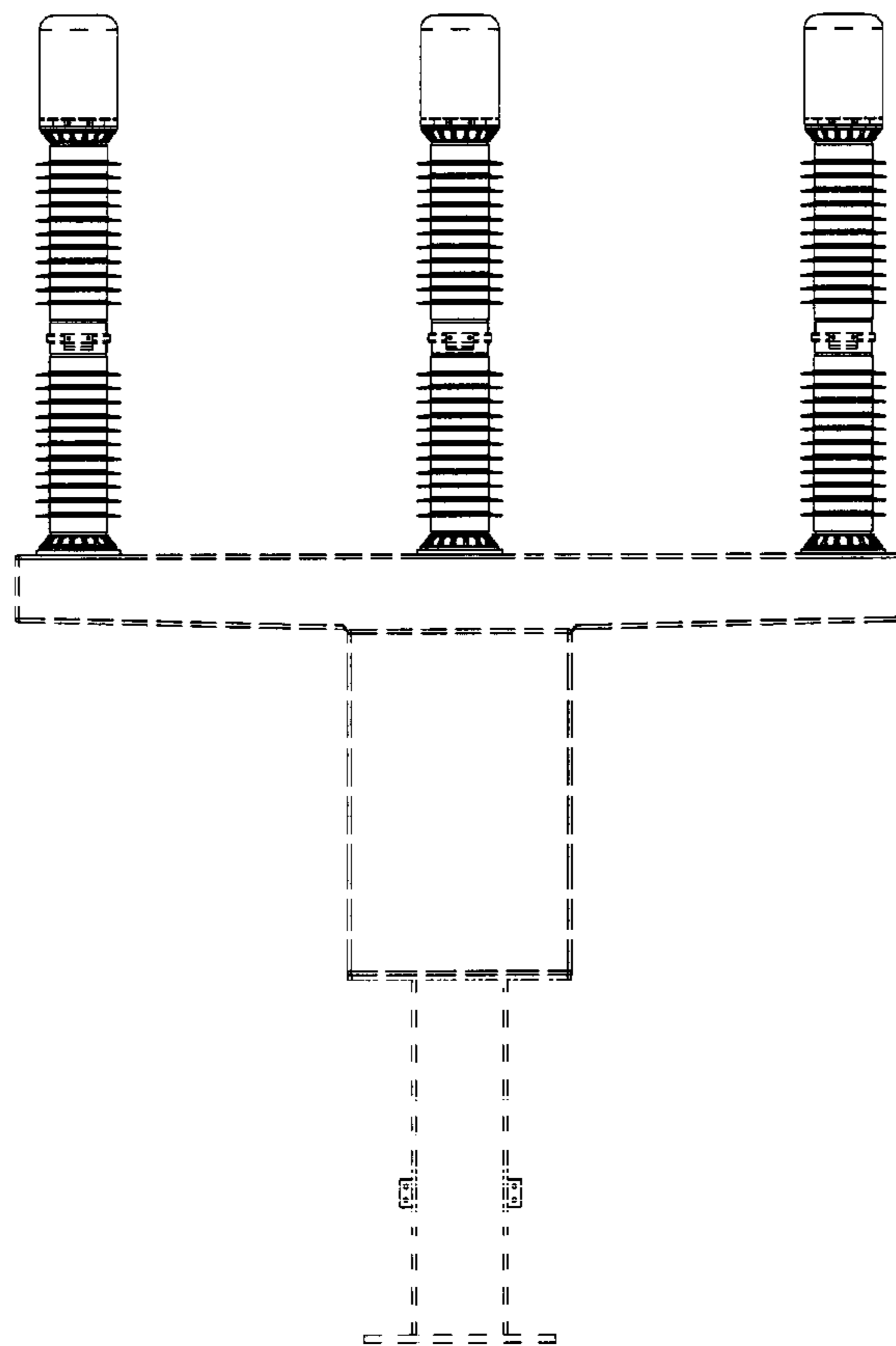
The ornamental design for a three-phase capacitor switch, as
shown and described herein.

DESCRIPTION

FIG. 1 is a front view of the three-phase capacitor switch.
FIG. 2 is a side view of the three-phase capacitor switch
shown in FIG. 1; and,
FIG. 3 is a top view of the three-phase capacitor switch
shown in FIG. 1.

The broken line showing of the environment is for illustrative
purpose only and forms no part of the claimed design.

1 Claim, 2 Drawing Sheets



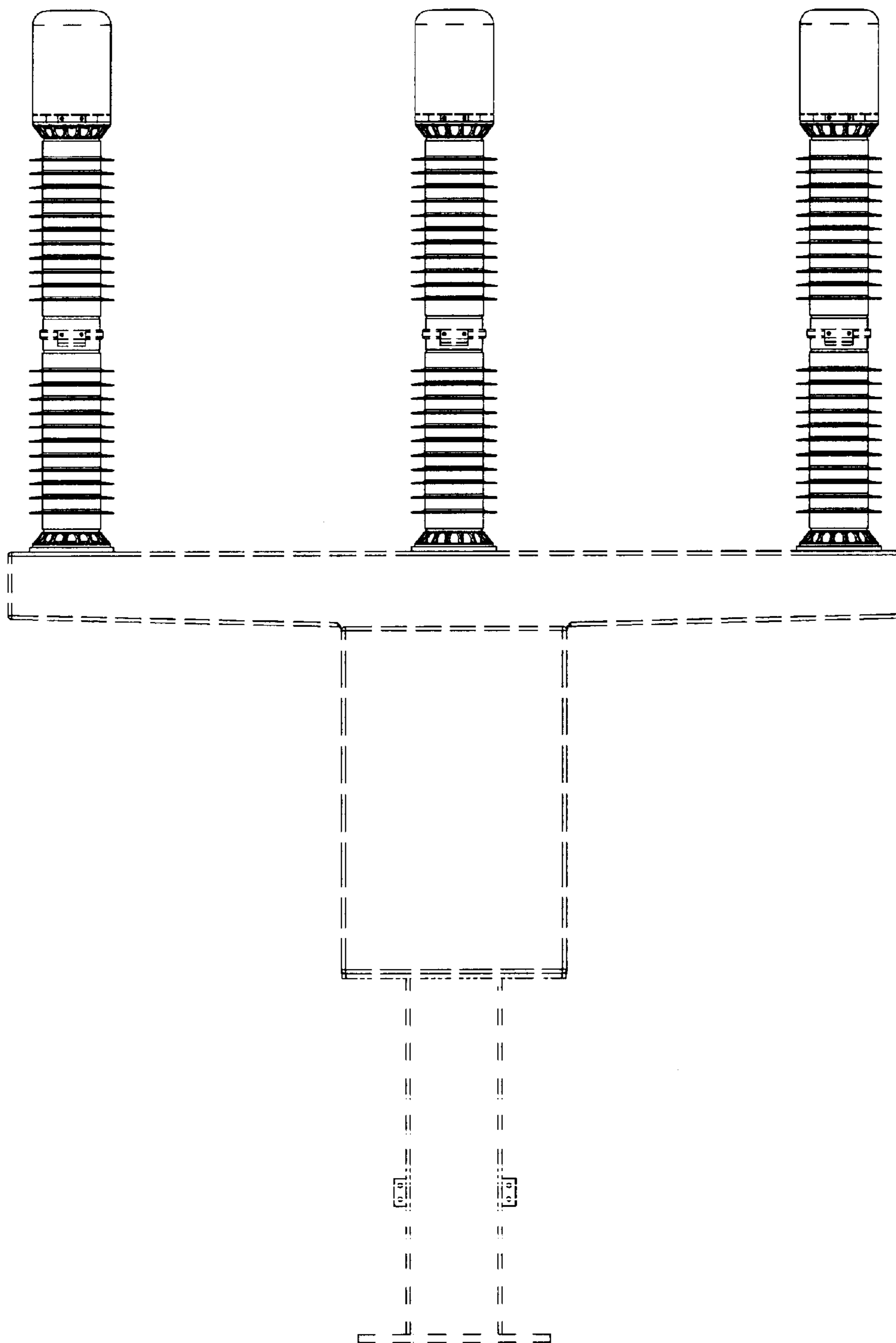


FIG. 1

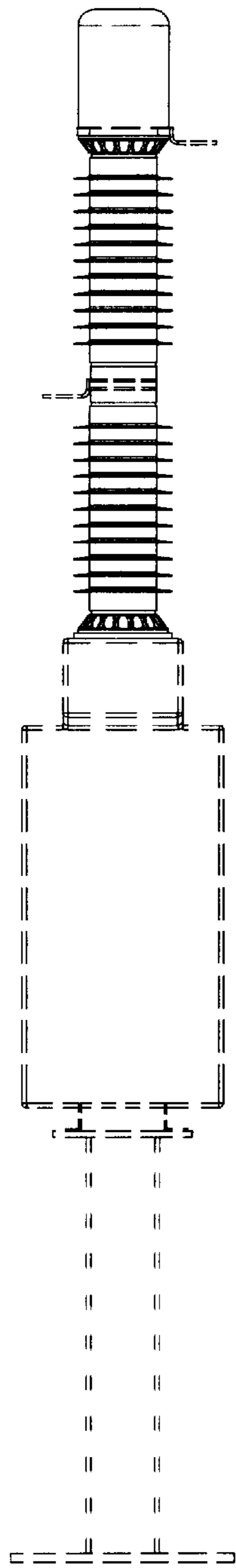


FIG. 2

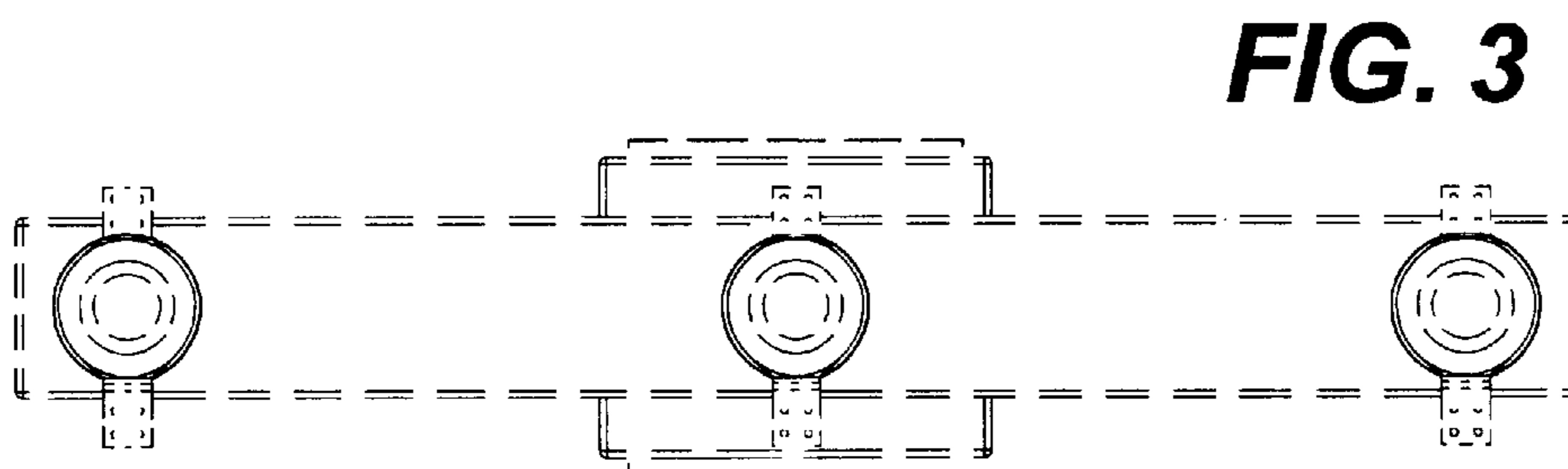


FIG. 3