



US00D531128S

(12) **United States Design Patent** (10) **Patent No.:** **US D531,128 S**
Elberson (45) **Date of Patent:** **** Oct. 31, 2006**

(54) **LOW VOLTAGE BOX**

(75) Inventor: **Thomas L. Elberson**, Defiance, OH (US)

(73) Assignee: **Allied Moulded Products, Inc.**, Bryan, OH (US)

(**) Term: **14 Years**

(21) Appl. No.: **29/224,839**

(22) Filed: **Mar. 8, 2005**

(51) **LOC (8) Cl.** **13-03**

(52) **U.S. Cl.** **D13/152**

(58) **Field of Classification Search** D13/126,
D13/139.4, 147, 152, 158, 184; 174/480-481,
174/53-54, 58; 220/3.2-3.3, 3.6-3.9; 439/535,
439/536

See application file for complete search history.

D463,376 S 9/2002 Roesch et al.
6,452,098 B1 9/2002 Gretz
6,452,813 B1 9/2002 Gretz
6,508,445 B1 1/2003 Rohmer
6,543,940 B1 4/2003 Chu
6,624,355 B1 9/2003 Gretz
6,710,245 B1 3/2004 Roesch et al.
6,727,428 B1 4/2004 Archer et al.
D510,323 S * 10/2005 Hawken D13/152
2002/0074143 A1 6/2002 English
2004/0074659 A1 4/2004 Roesch et al.
2004/0159456 A1 8/2004 Archer et al.
2004/0182857 A1 * 9/2004 Feyes et al. 220/3.2
2005/0011661 A1 1/2005 Herth
2005/0011662 A1 1/2005 Herth
2005/0051546 A1 * 3/2005 Dinh 220/3.7

FOREIGN PATENT DOCUMENTS

DE 40 09 190 C1 3/1990

* cited by examiner

Primary Examiner—Alan P. Douglas
Assistant Examiner—Rosemary K. Tarcza
(74) *Attorney, Agent, or Firm*—Fraser Martin & Miller LLC; Donald R. Fraser

(56) **References Cited**
U.S. PATENT DOCUMENTS

3,740,451 A * 6/1973 Schindler et al. 174/58
D229,064 S * 11/1973 Powell D13/152
3,862,351 A * 1/1975 Schindler et al. 174/58
RE28,489 E * 7/1975 Schindler et al. 174/58
4,039,135 A 8/1977 Schenk
4,202,457 A * 5/1980 Tansi 220/3.3
4,557,445 A 12/1985 Ohara
4,843,189 A * 6/1989 Jorgensen et al. 174/53
4,954,667 A * 9/1990 Jorgensen et al. 174/53
5,545,848 A 8/1996 Lin
5,639,991 A * 6/1997 Schuette 174/58
5,823,821 A * 10/1998 Tohanczyn, Jr. 439/538
D427,889 S 7/2000 Gretz
6,147,304 A 11/2000 Doherty
D436,836 S 1/2001 Erwin
6,300,567 B1 10/2001 Hayduke et al.
6,376,770 B1 4/2002 Hyde
D457,140 S * 5/2002 Roesch et al. D13/152
D459,312 S 6/2002 Roesch et al.
D462,664 S 9/2002 Roesch et al.

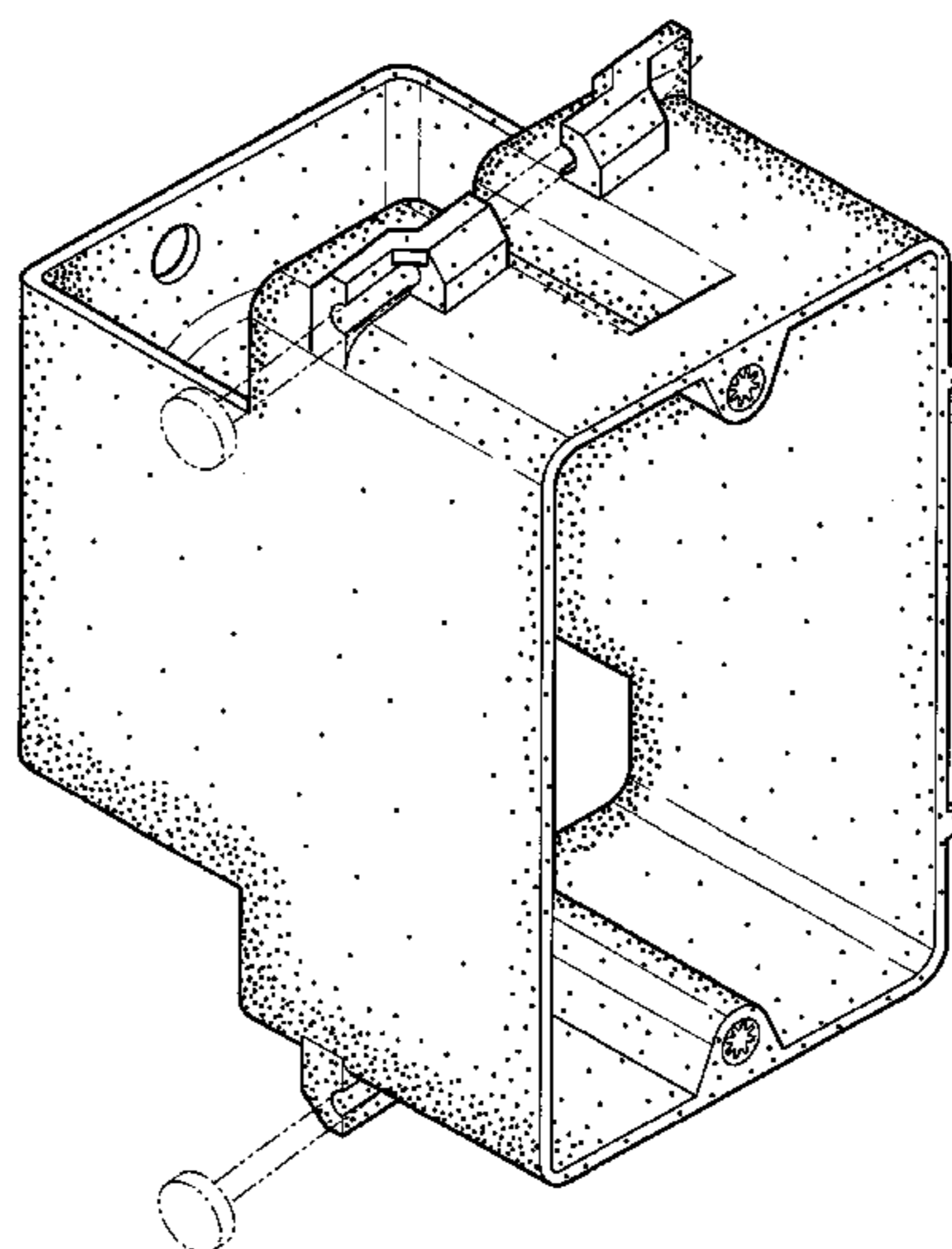
(57) **CLAIM**

The ornamental design for a low voltage box, as shown and described.

DESCRIPTION

FIG. 1 is a perspective view for a low voltage box embodying the design features of the invention;
FIG. 2 is a front elevational view thereof;
FIG. 3 is a rear elevational view thereof;
FIG. 4 is a top plan view thereof;
FIG. 5 is a bottom plan view thereof;
FIG. 6 is a left end elevational view thereof; and,
FIG. 7 is a right end elevational view thereof.
The broken line showing is for illustrative purposes only and forms no part of the claimed design.

1 Claim, 4 Drawing Sheets



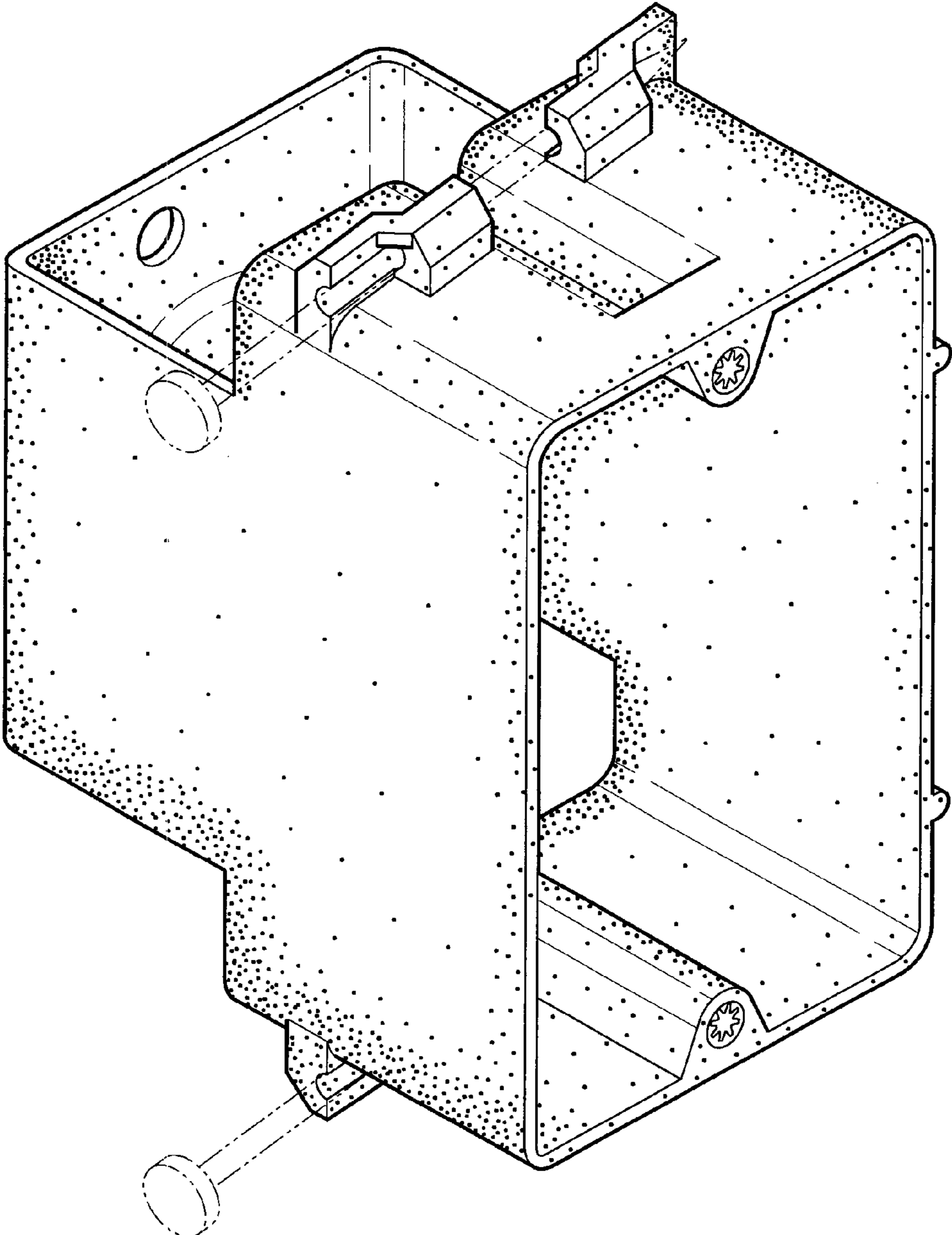


FIG - 1

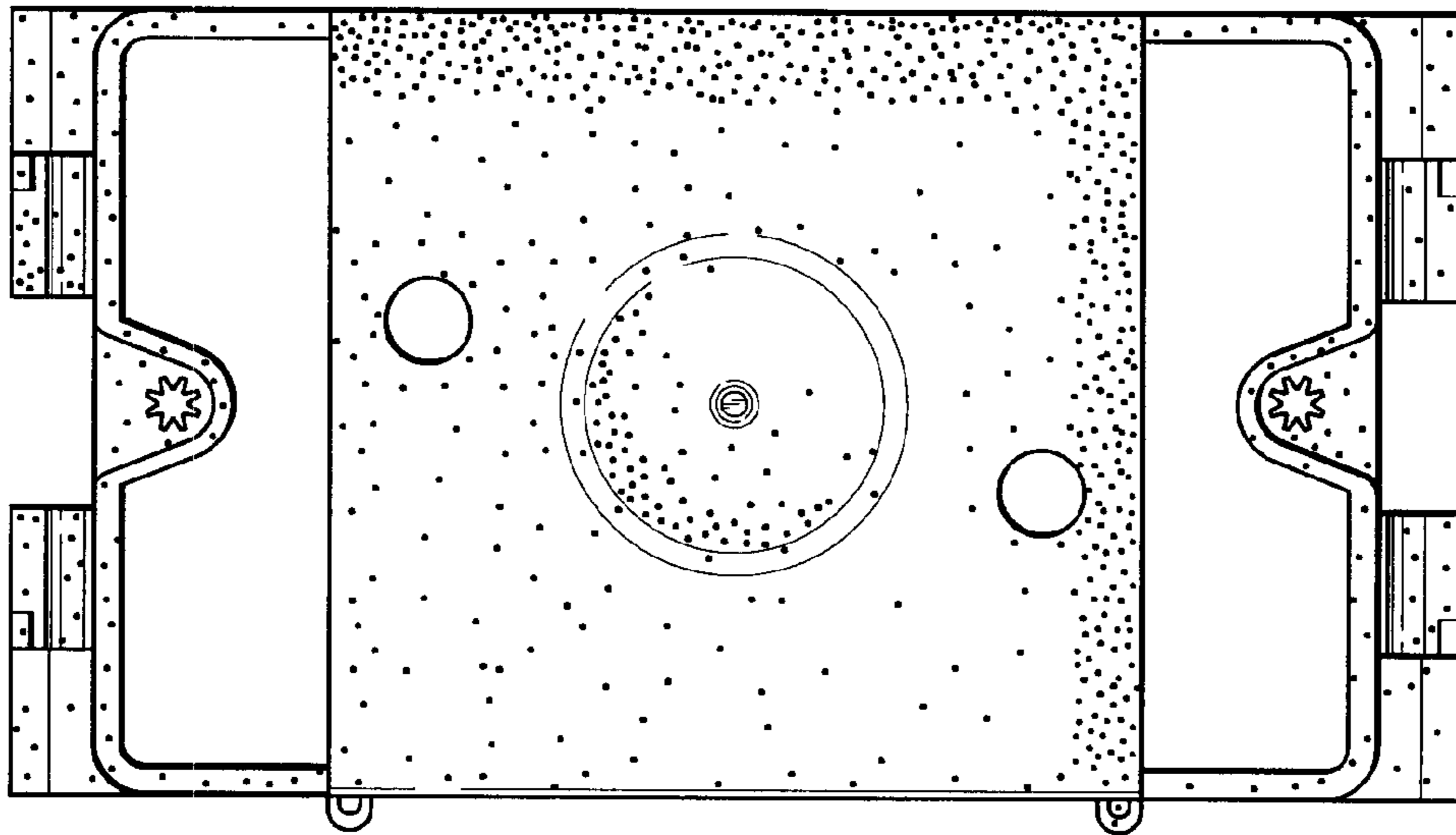


FIG - 3

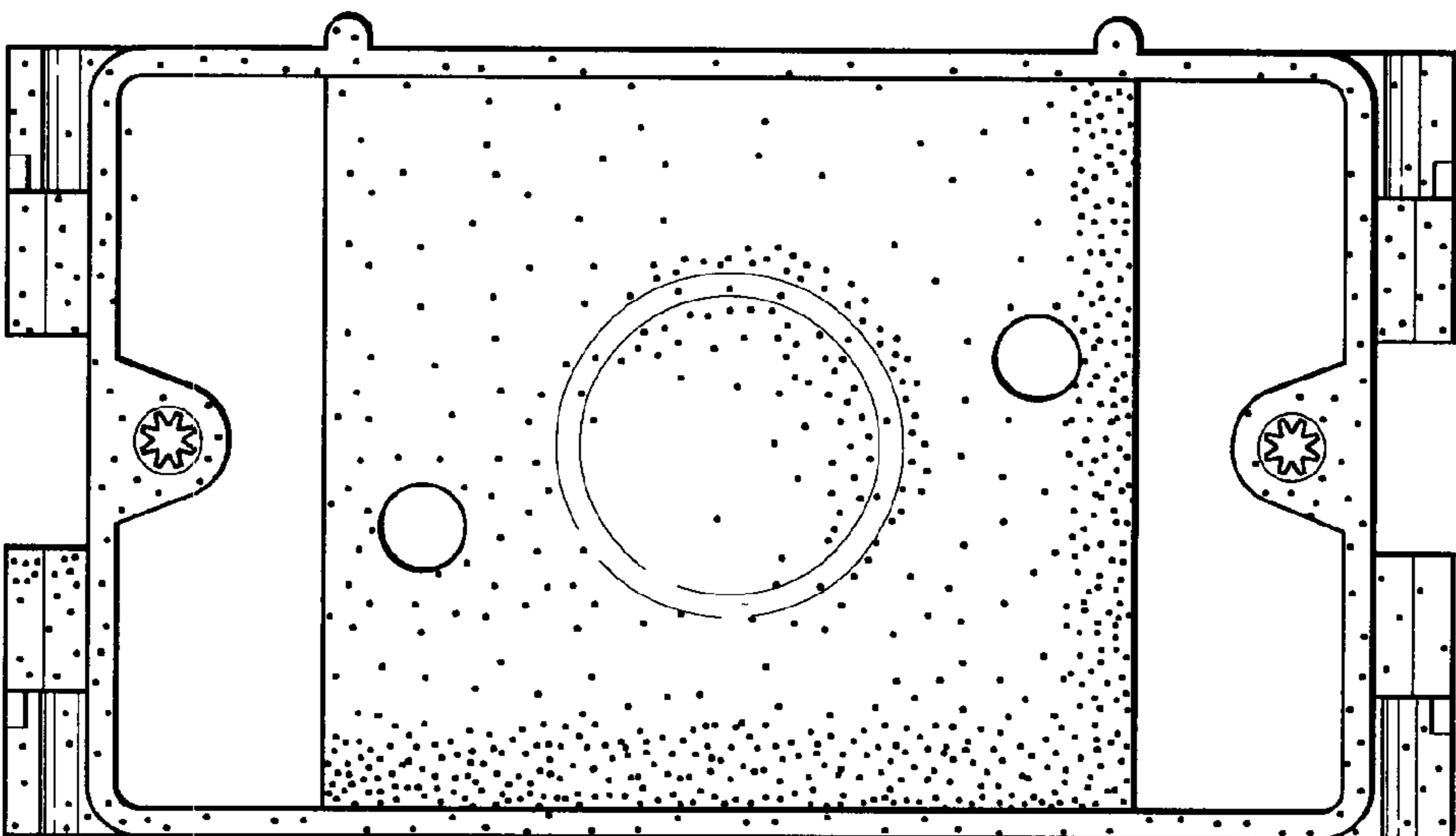


FIG - 2

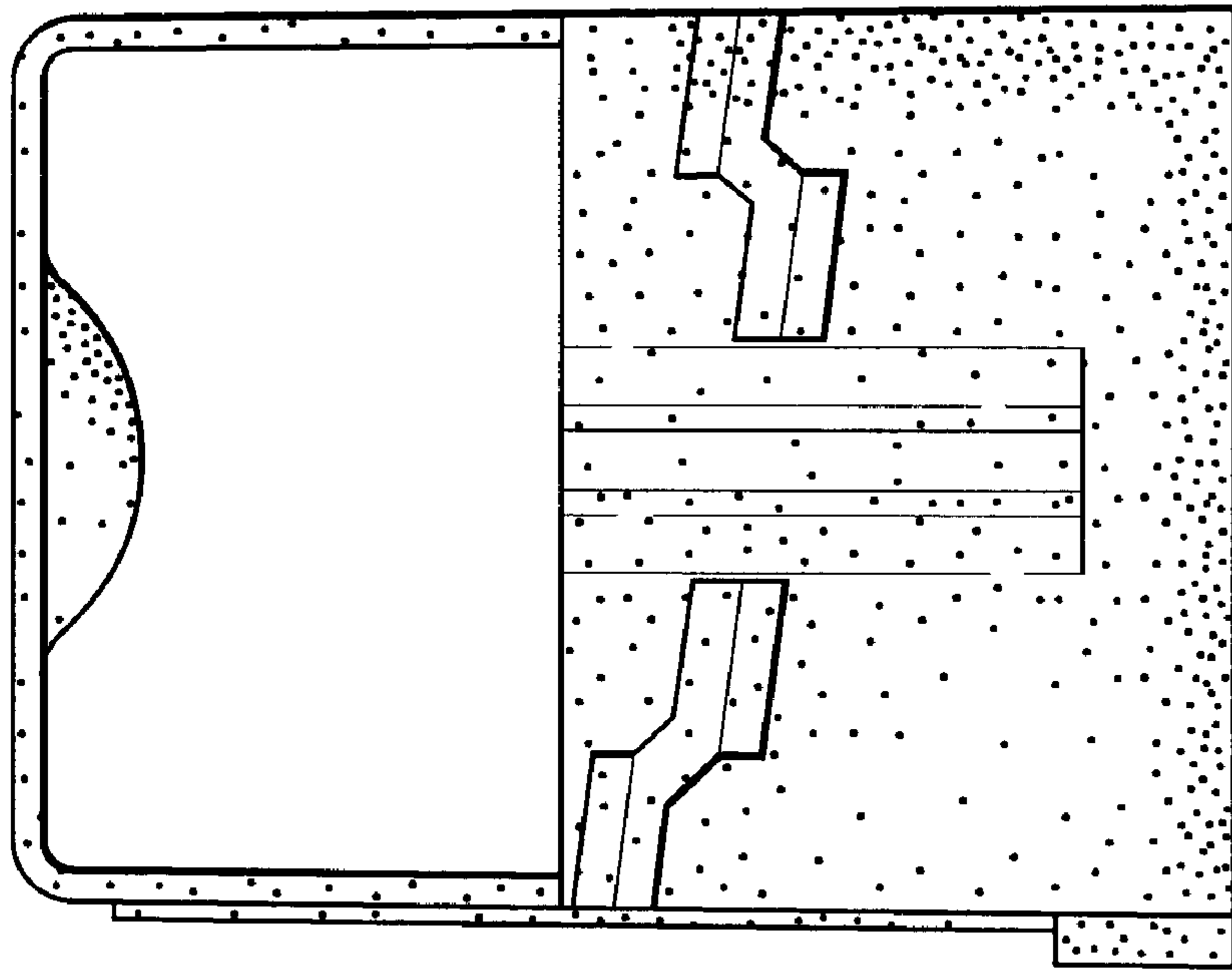


FIG - 5

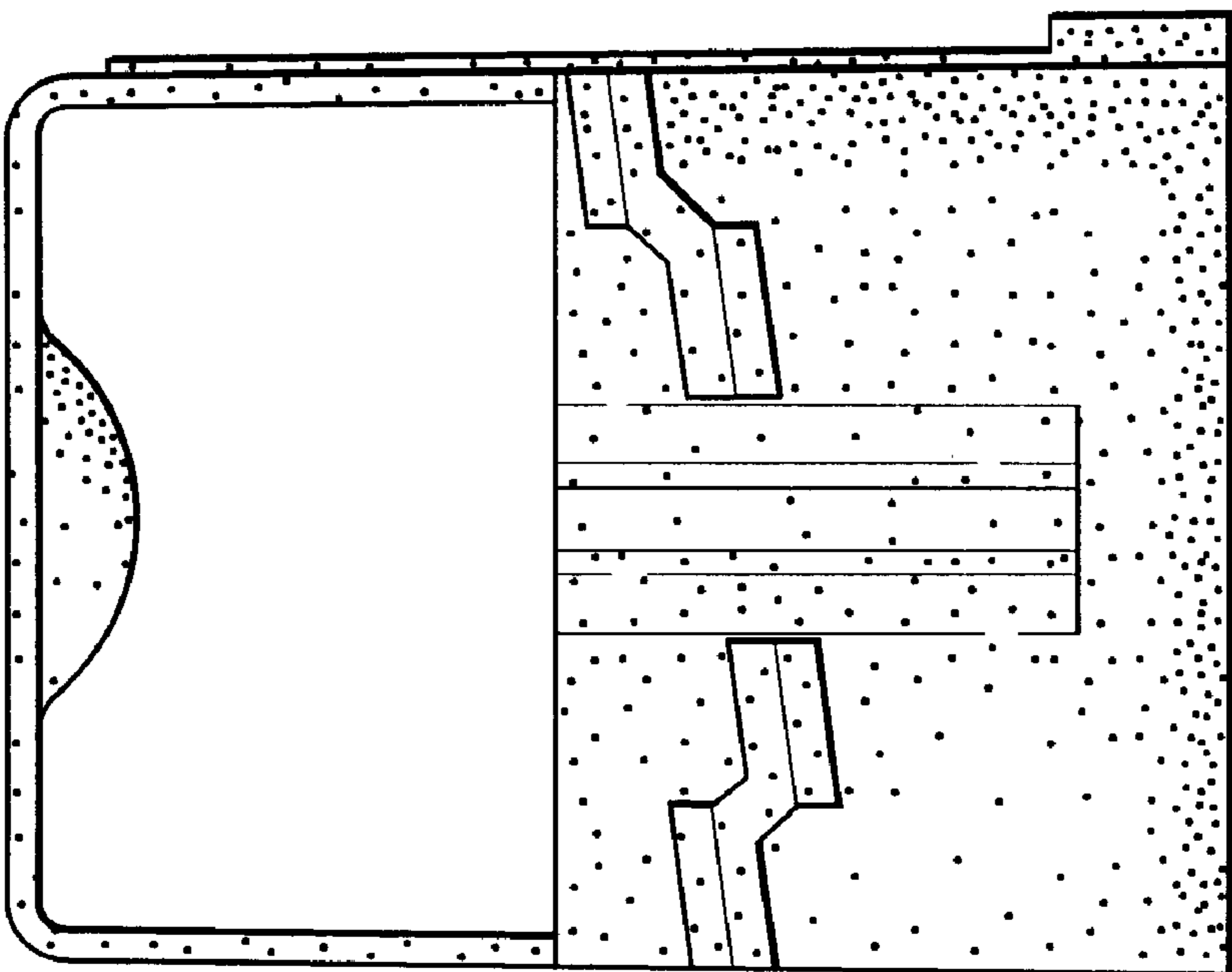


FIG - 4

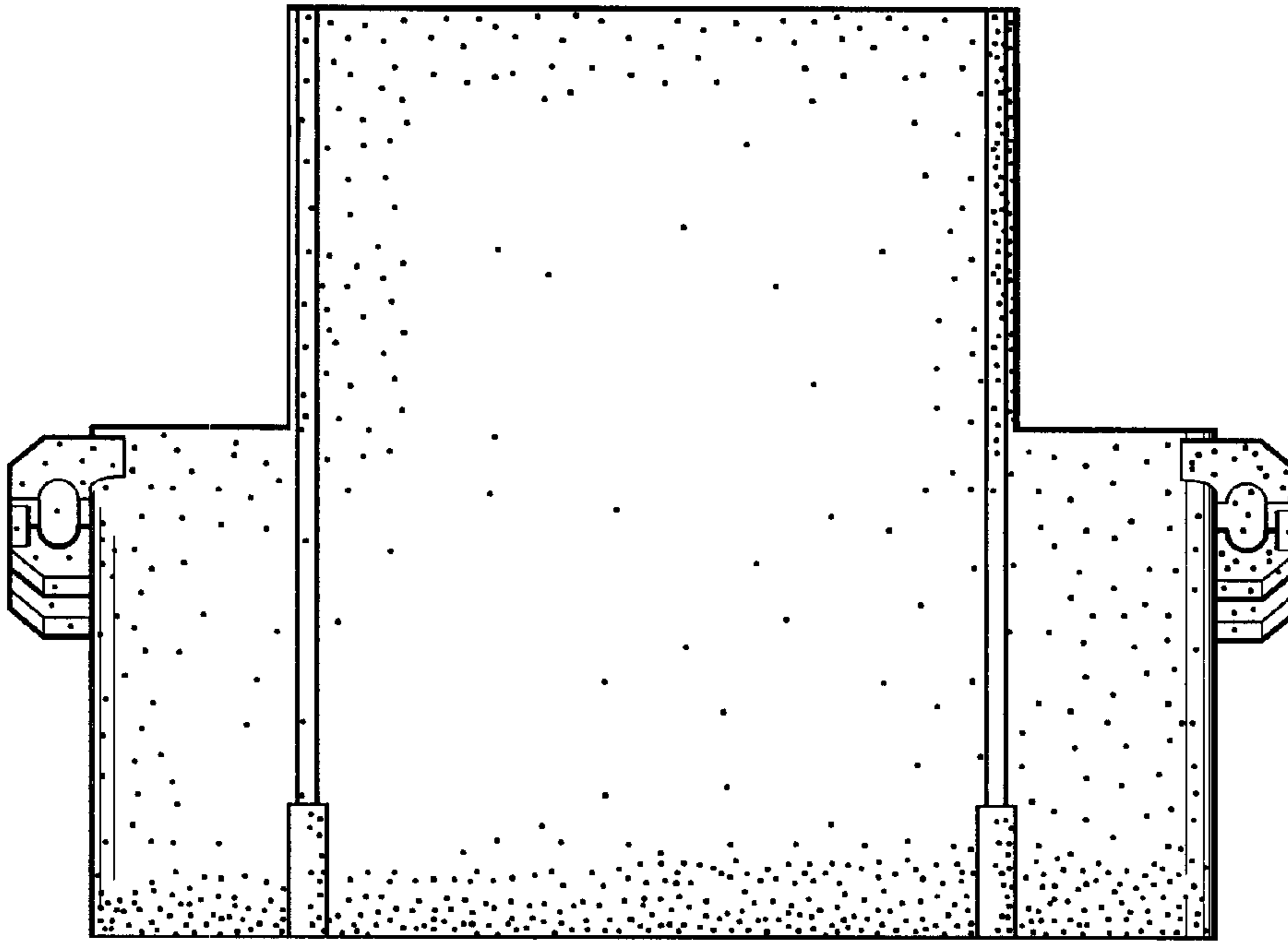


FIG - 7

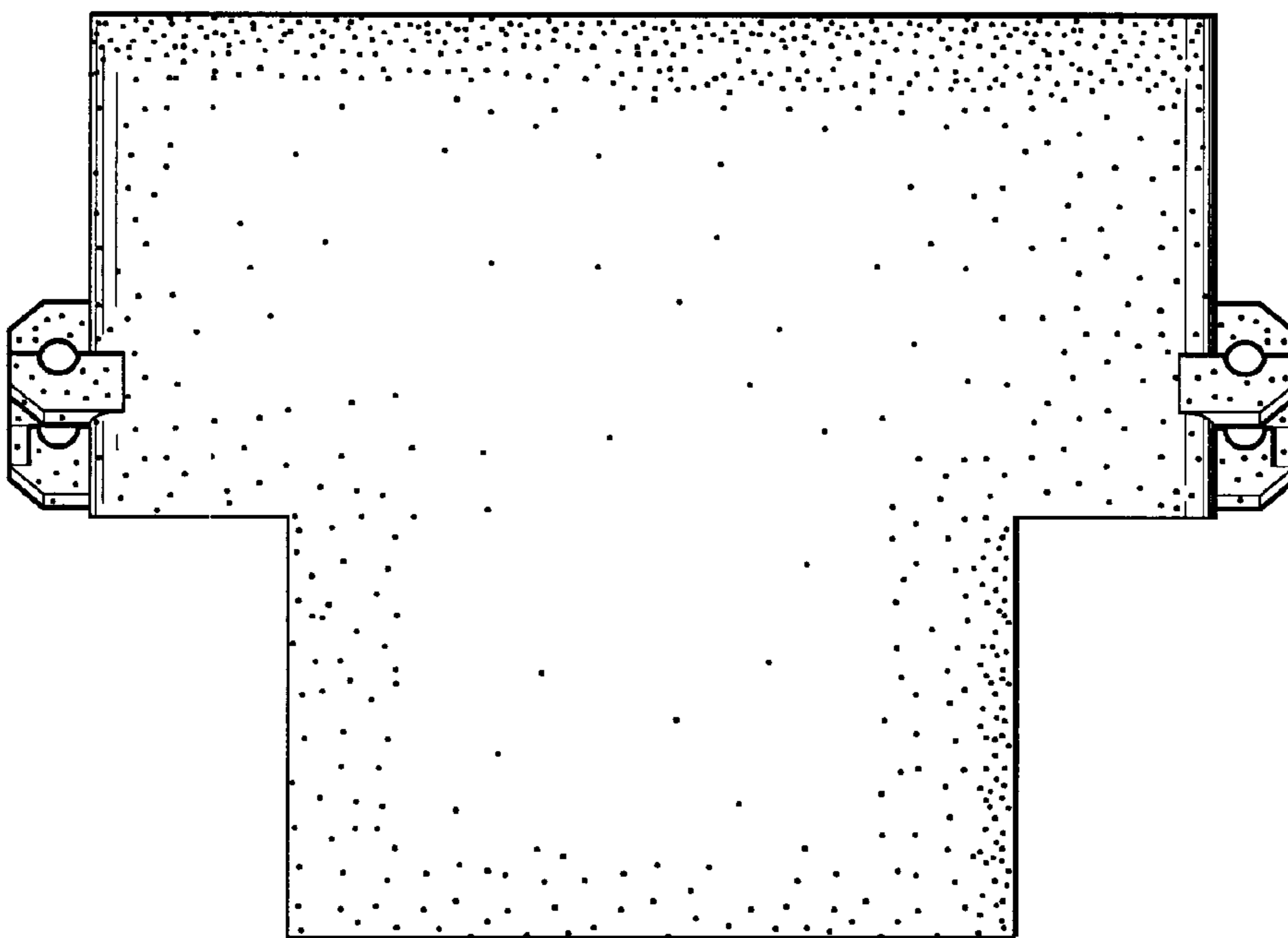


FIG - 6