

US00D531127S

(12) **United States Design Patent**  
**Zhong et al.**

(10) **Patent No.:** **US D531,127 S**

(45) **Date of Patent:** **\*\* Oct. 31, 2006**

(54) **PLUG CONNECTOR**

(75) Inventors: **Ji Ping Zhong**, Tu-Cheng (TW); **Hong Shui Wu**, Tu-Cheng (TW)

(73) Assignee: **Cheng Uei Precision Industry Co., Ltd.**, Taipei Hsien (TW)

(\*\*) Term: **14 Years**

(21) Appl. No.: **29/256,726**

(22) Filed: **Mar. 24, 2006**

(51) **LOC (8) Cl.** ..... **13-03**

(52) **U.S. Cl.** ..... **D13/147**

(58) **Field of Classification Search** ..... D13/133,  
D13/146-147, 154, 184, 199; 439/350, 352-353,  
439/358, 445, 455, 607-610, 660, 676, 680-682,  
439/731

See application file for complete search history.

(56) **References Cited**

**U.S. PATENT DOCUMENTS**

- 4,822,303 A \* 4/1989 Nakamura et al. .... 439/607
- 5,244,415 A \* 9/1993 Marsilio et al. .... 439/610
- D344,491 S \* 2/1994 Nakamura ..... D13/147
- D368,696 S \* 4/1996 Nagele et al. .... D13/133

- D369,346 S \* 4/1996 Tan ..... D13/133
- 5,860,826 A \* 1/1999 Chang ..... 439/358
- D462,325 S \* 9/2002 Nakatomi ..... D13/147
- D482,330 S \* 11/2003 Suzuki et al. .... D13/147
- D513,407 S \* 1/2006 Meister ..... D13/133
- D513,409 S \* 1/2006 Suckle ..... D13/156
- 2004/0097133 A1 \* 5/2004 Liu ..... 439/606

\* cited by examiner

*Primary Examiner*—Stella Reid

*Assistant Examiner*—Daniel Bui

(74) *Attorney, Agent, or Firm*—Rosenberg, Klein & Lee

(57) **CLAIM**

The ornamental design for a plug connector, as shown and described.

**DESCRIPTION**

FIG. 1 is a perspective view of a plug connector showing our new design;

FIG. 2 is a front elevational view thereof;

FIG. 3 is a rear elevational view thereof;

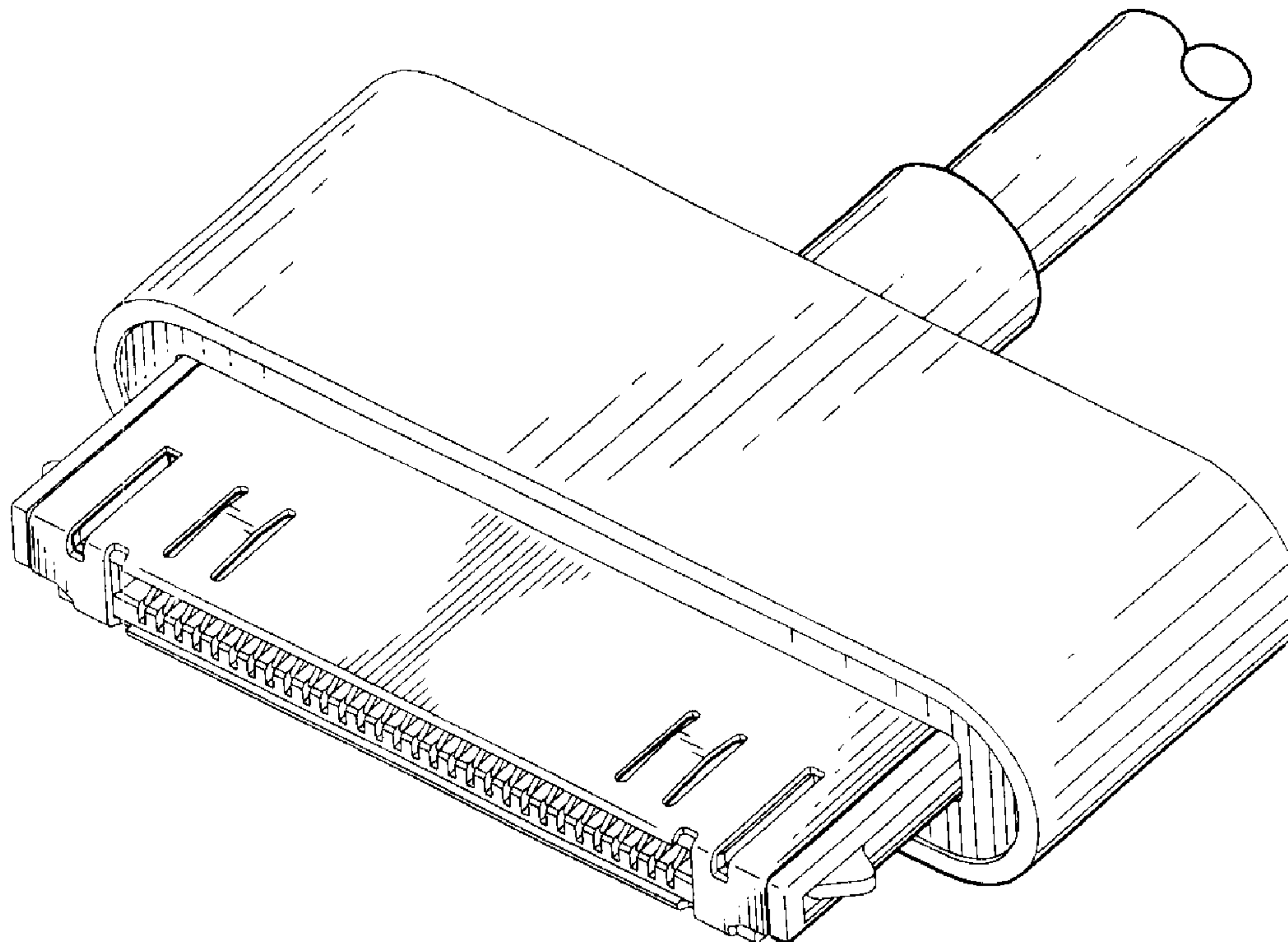
FIG. 4 is a left side elevational view thereof;

FIG. 5 is a right side elevational view thereof;

FIG. 6 is a top plan view thereof; and,

FIG. 7 is a bottom plan view thereof.

**1 Claim, 7 Drawing Sheets**



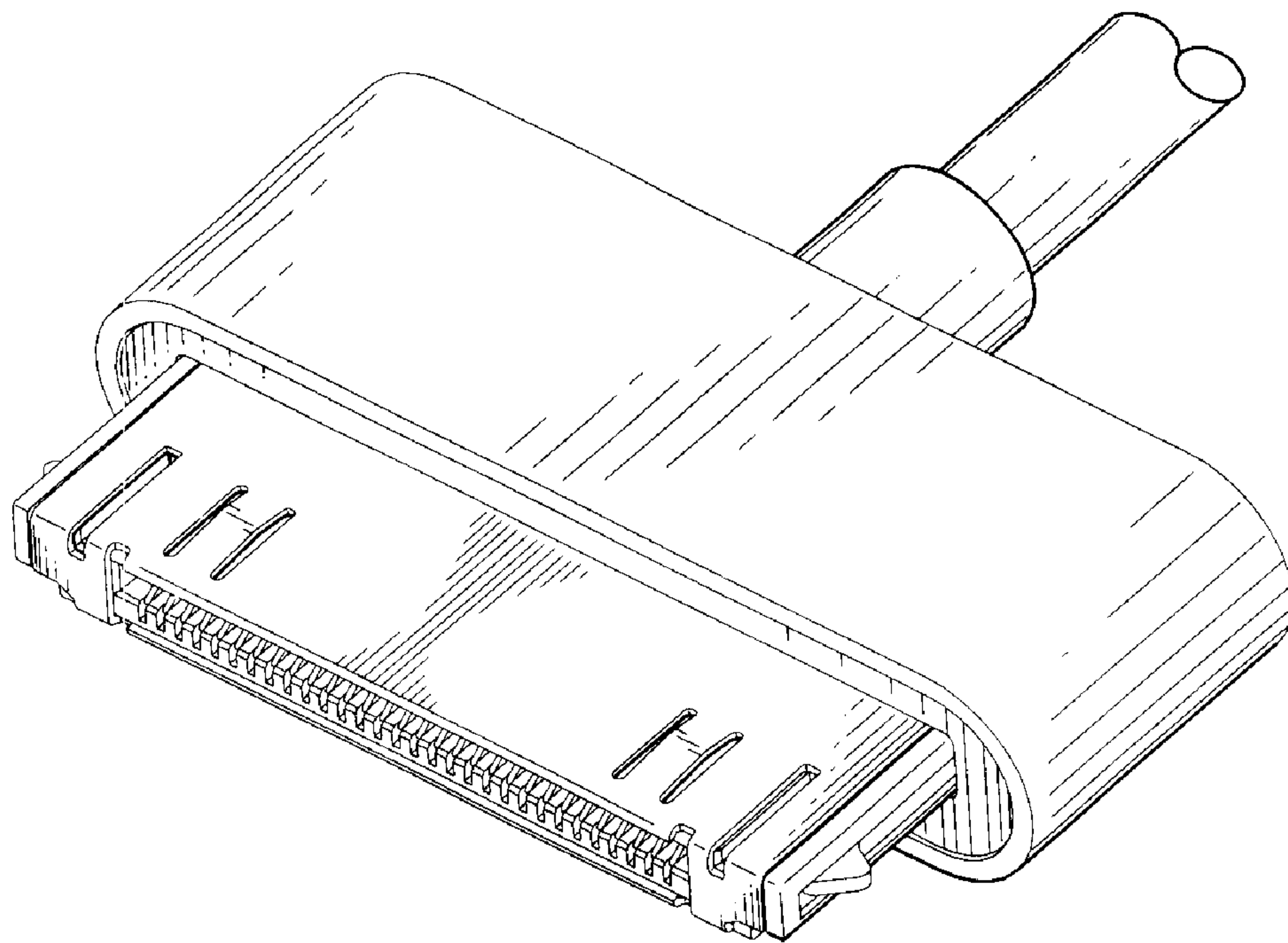


FIG. 1

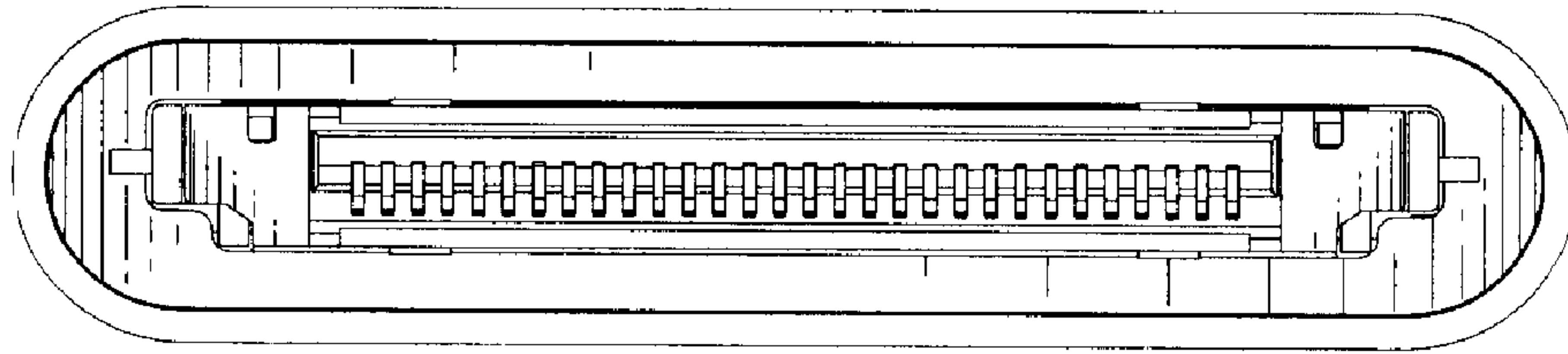


FIG. 2

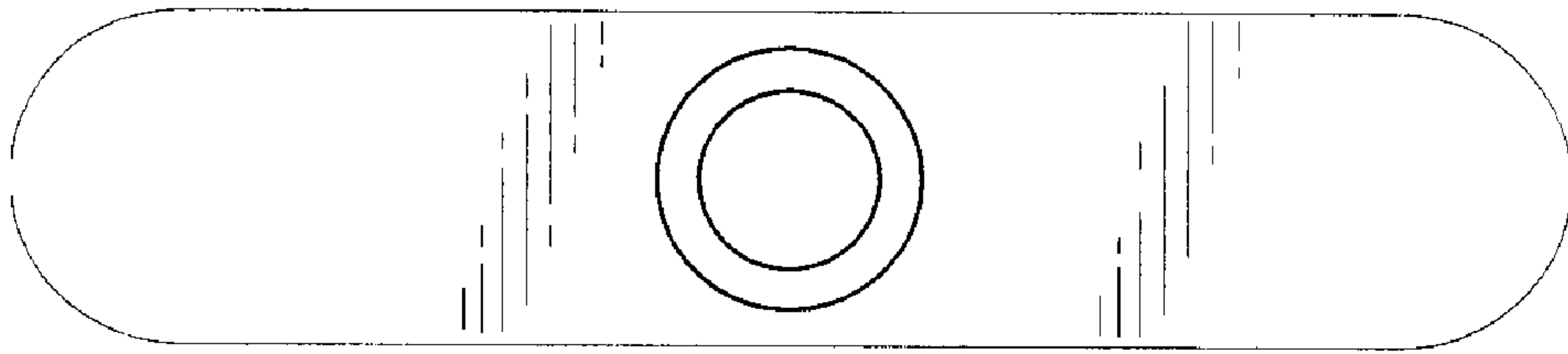


FIG. 3

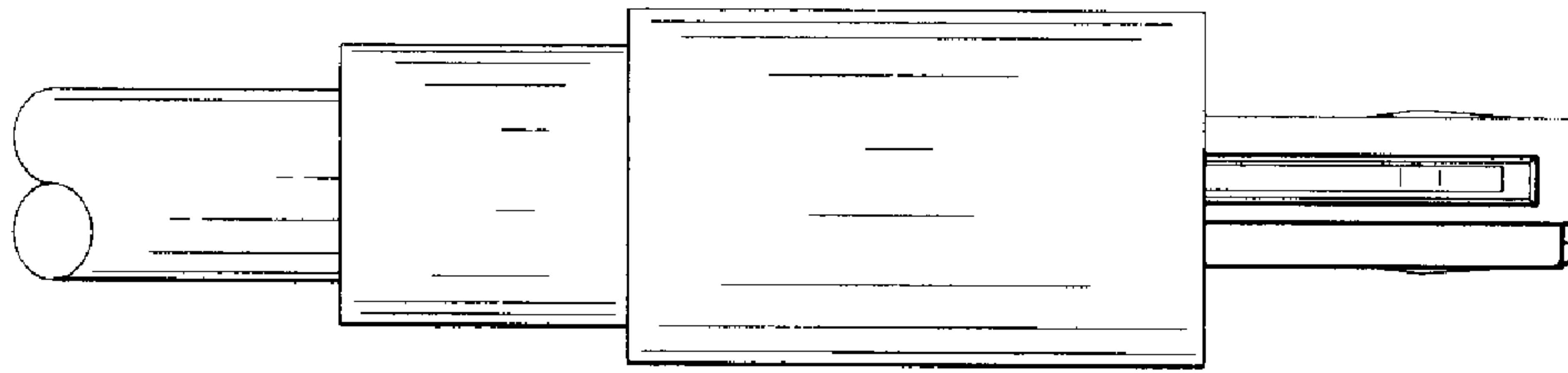


FIG. 4

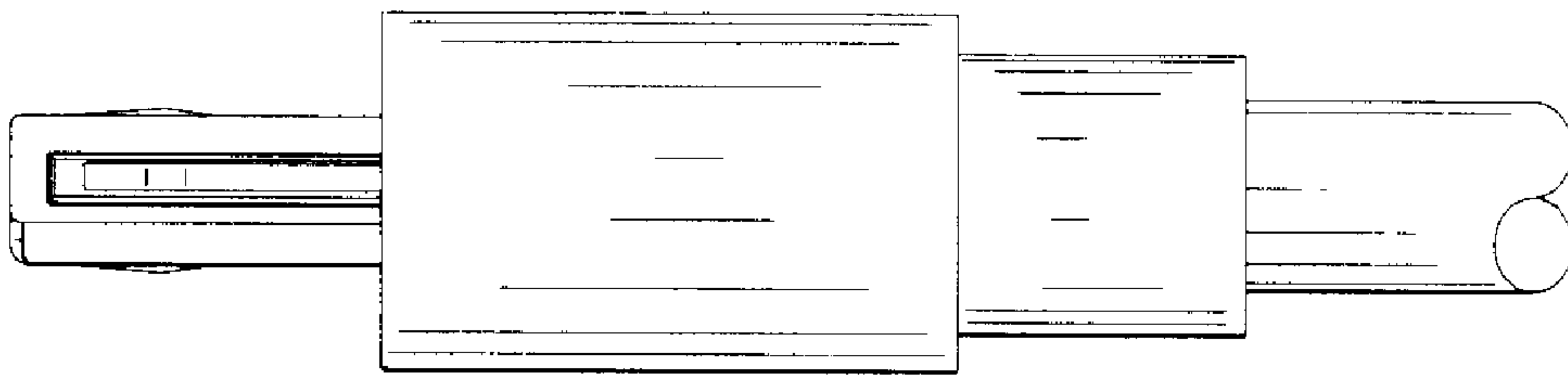


FIG. 5

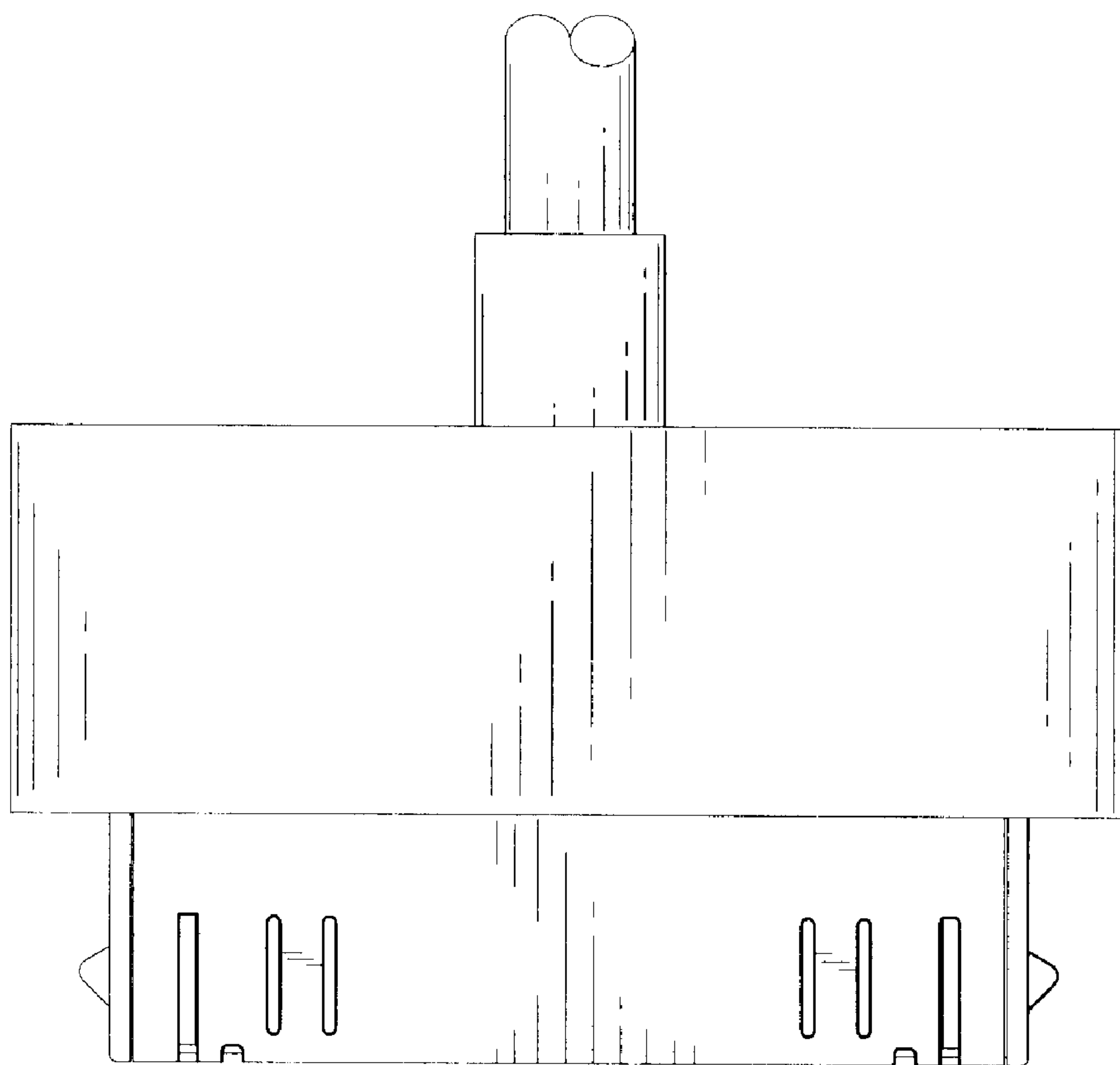


FIG. 6

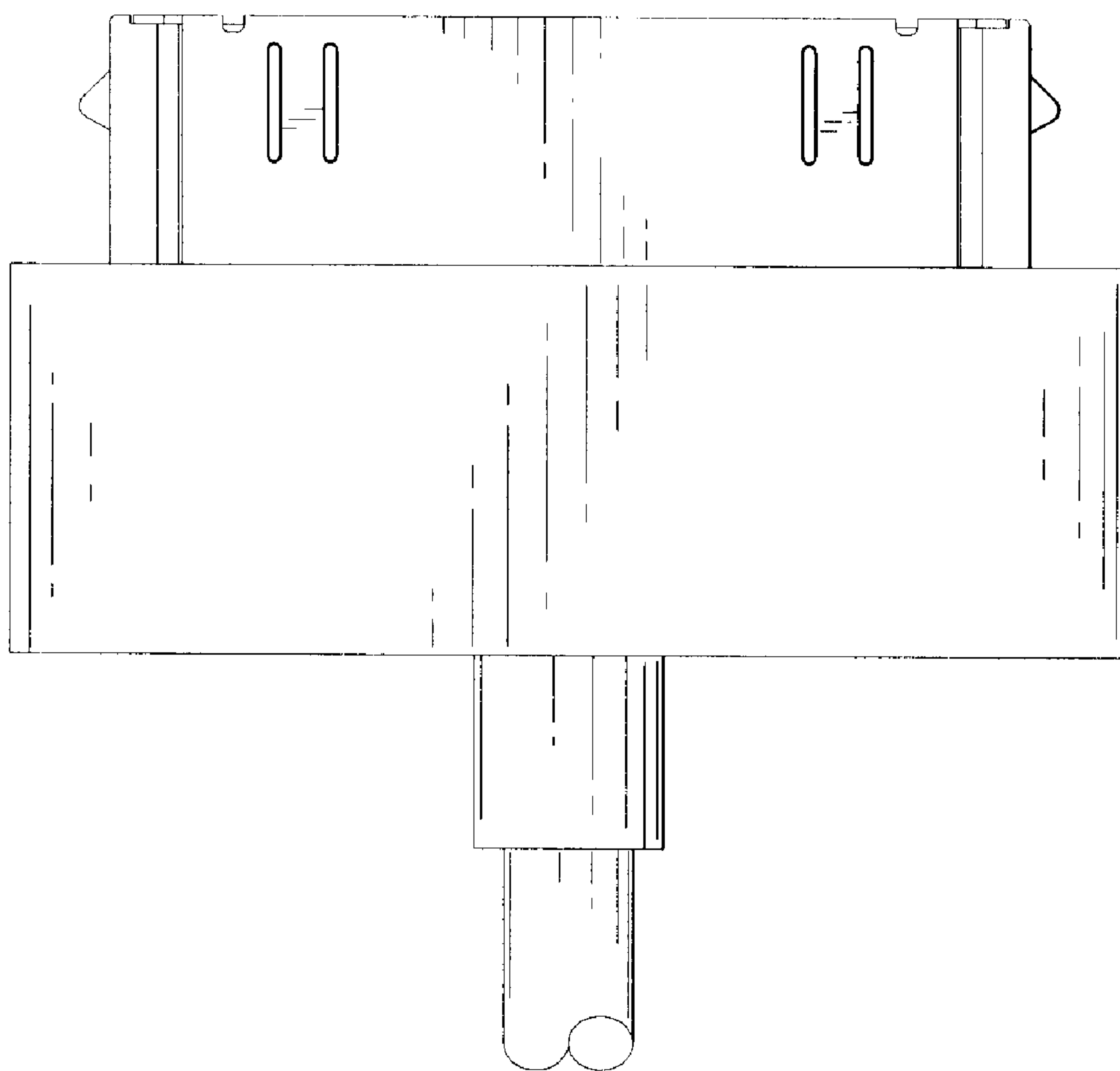


FIG. 7