



US00D531124S

(12) **United States Design Patent**
Dwan et al.

(10) **Patent No.:** **US D531,124 S**
(45) **Date of Patent:** **** Oct. 31, 2006**

(54) **ELECTRICAL CONNECTOR**

(75) Inventors: **Swu Lin Dwan**, Kuan Tung (CN); **Wei Wan**, Kung Tung (CN)

(73) Assignee: **Advanced Connectek Inc.**, Taipei (TW)

(**) Term: **14 Years**

(21) Appl. No.: **29/245,549**

(22) Filed: **Dec. 27, 2005**

(51) **LOC (8) Cl.** **13-03**

(52) **U.S. Cl.** **D13/147**

(58) **Field of Classification Search** D13/133,
D13/146-147, 149, 154, 184; D14/432-436,
D14/438; 439/62, 64, 79, 159-160, 260,
439/325, 329, 395, 422, 492, 495, 607-610,
439/630, 862

See application file for complete search history.

(56) **References Cited**

U.S. PATENT DOCUMENTS

4,487,464 A * 12/1984 Kirschenbaum 439/62
D390,828 S * 2/1998 Aramaki D13/147
D435,244 S * 12/2000 Lok D13/147
D489,687 S * 5/2004 Kawase et al. D13/147

D490,377 S * 5/2004 Sato D13/147
D517,489 S * 3/2006 Kawase et al. D13/147
D518,790 S * 4/2006 Nishio et al. D13/147

* cited by examiner

Primary Examiner—Stella Reid
Assistant Examiner—Daniel Bui

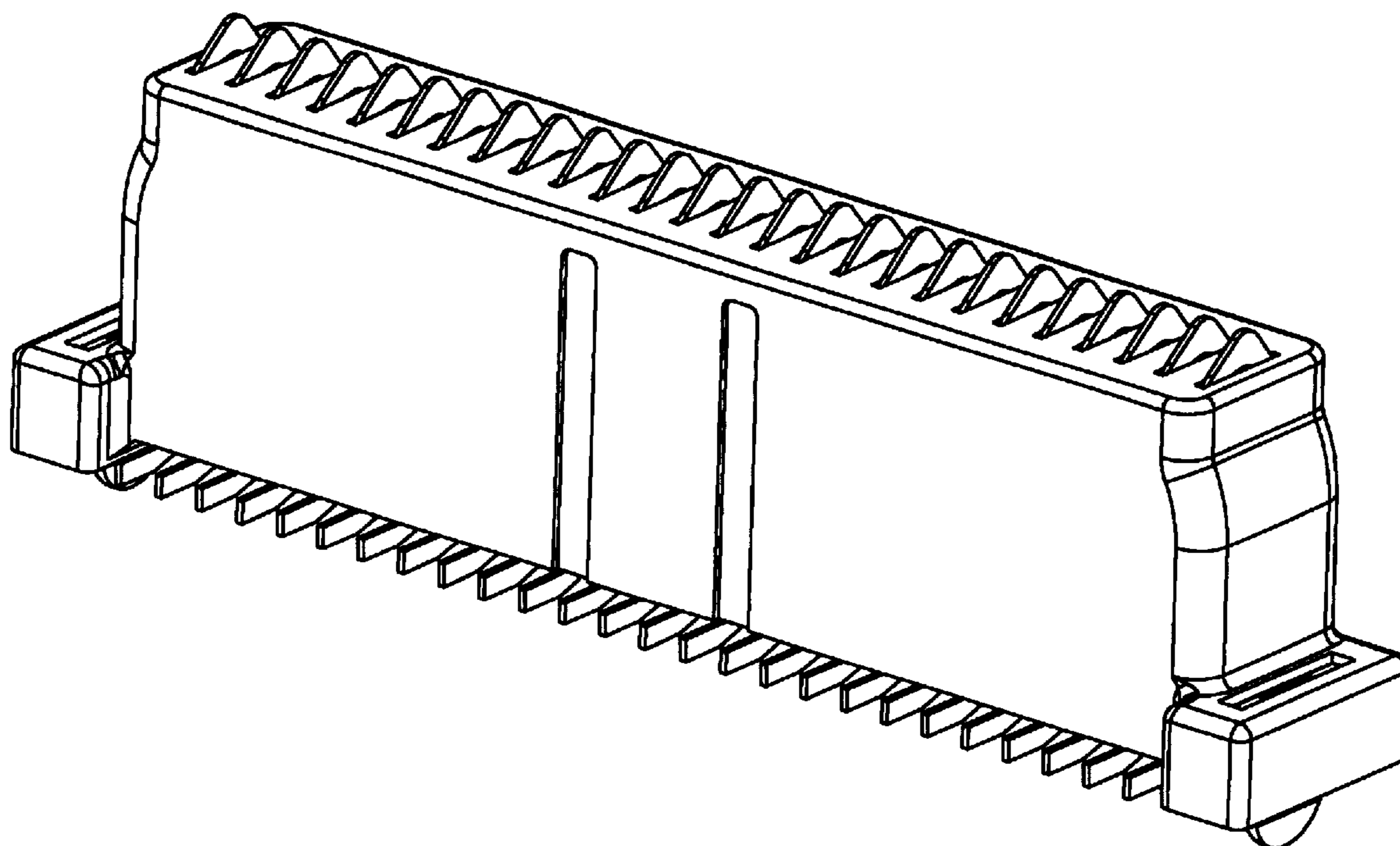
(57) **CLAIM**

The ornamental design for an electrical connector, as shown and described.

DESCRIPTION

FIG. 1 is a top, front and right side perspective view of an electrical connector showing our new design;
FIG. 2 is a front elevational view thereof;
FIG. 3 is a rear elevational view thereof;
FIG. 4 is a left side elevational view thereof;
FIG. 5 is a right side elevational view thereof;
FIG. 6 is a top plan elevational view thereof;
FIG. 7 is a bottom plan elevational view thereof;
FIG. 8 is a bottom, rear and left side perspective view thereof;
FIG. 9 is a cross-sectional view thereof, taken along line 9-9 in FIG. 6; and,
FIG. 10 is a cross-sectional view thereof, taken along line 10-10 in FIG. 7.

1 Claim, 6 Drawing Sheets



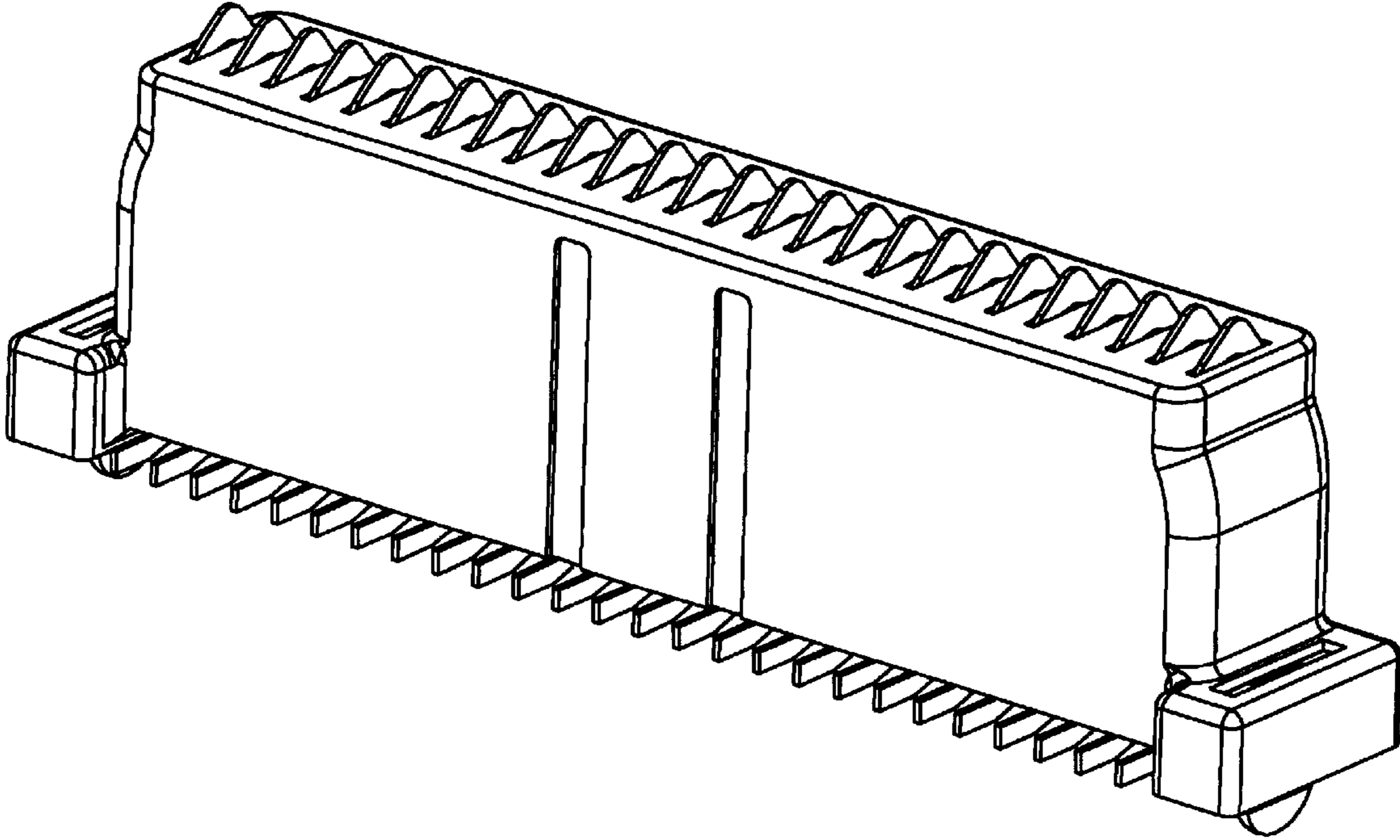


FIG.1

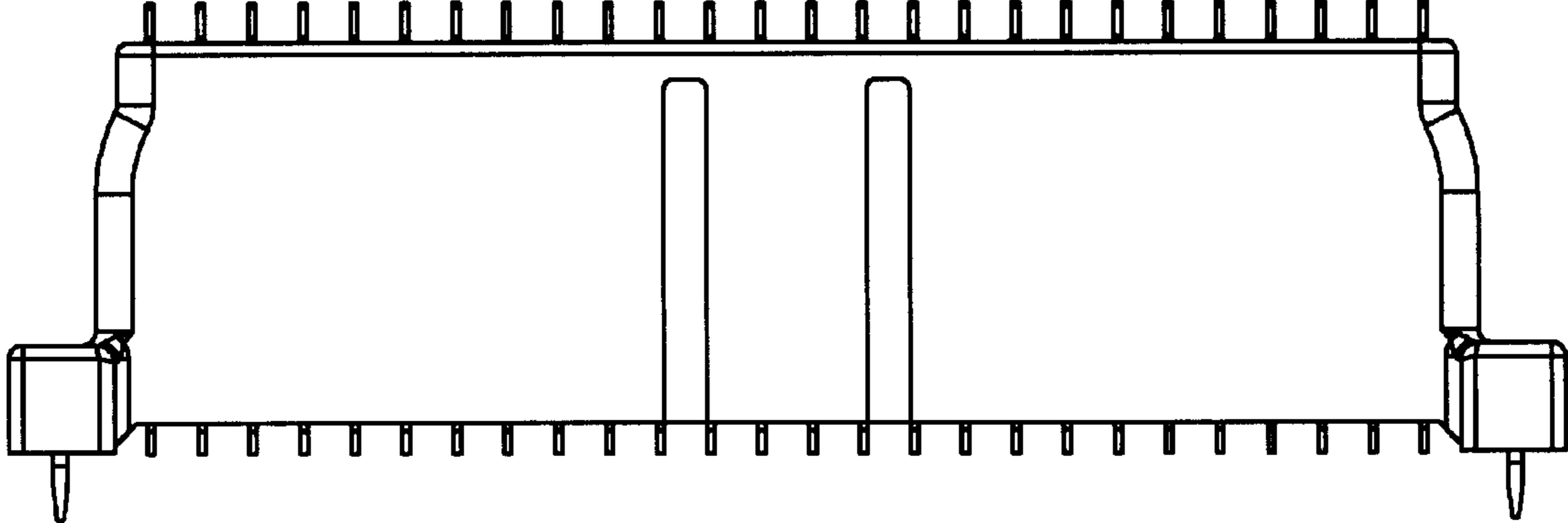


FIG. 2

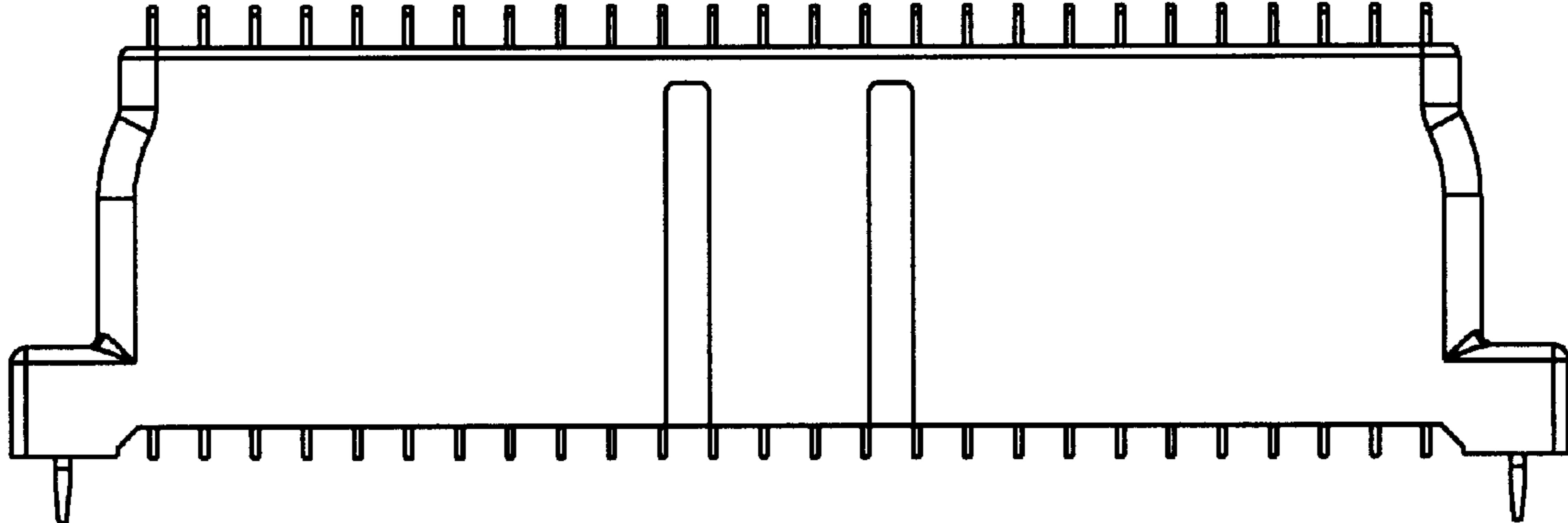


FIG. 3

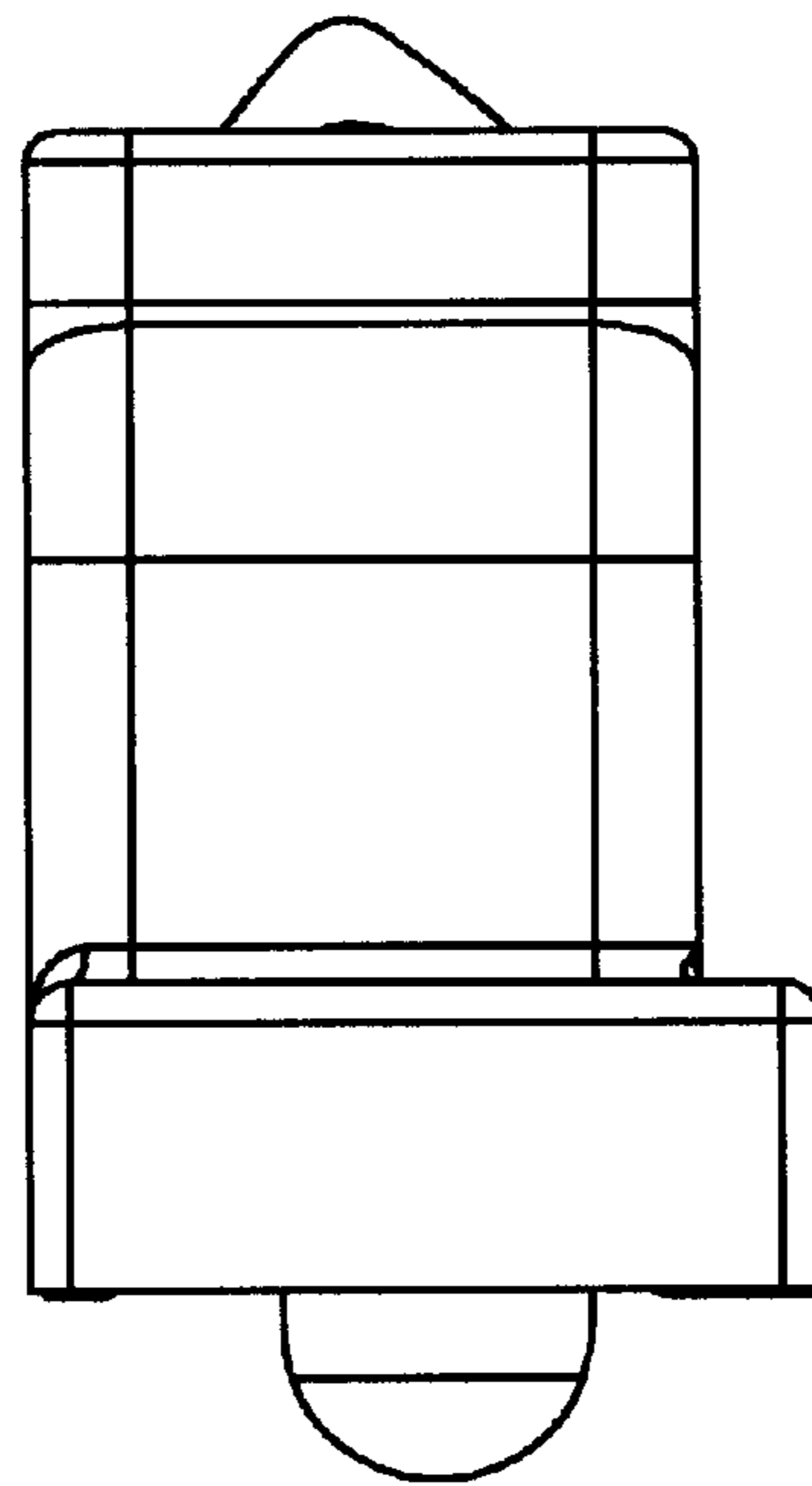


FIG. 4

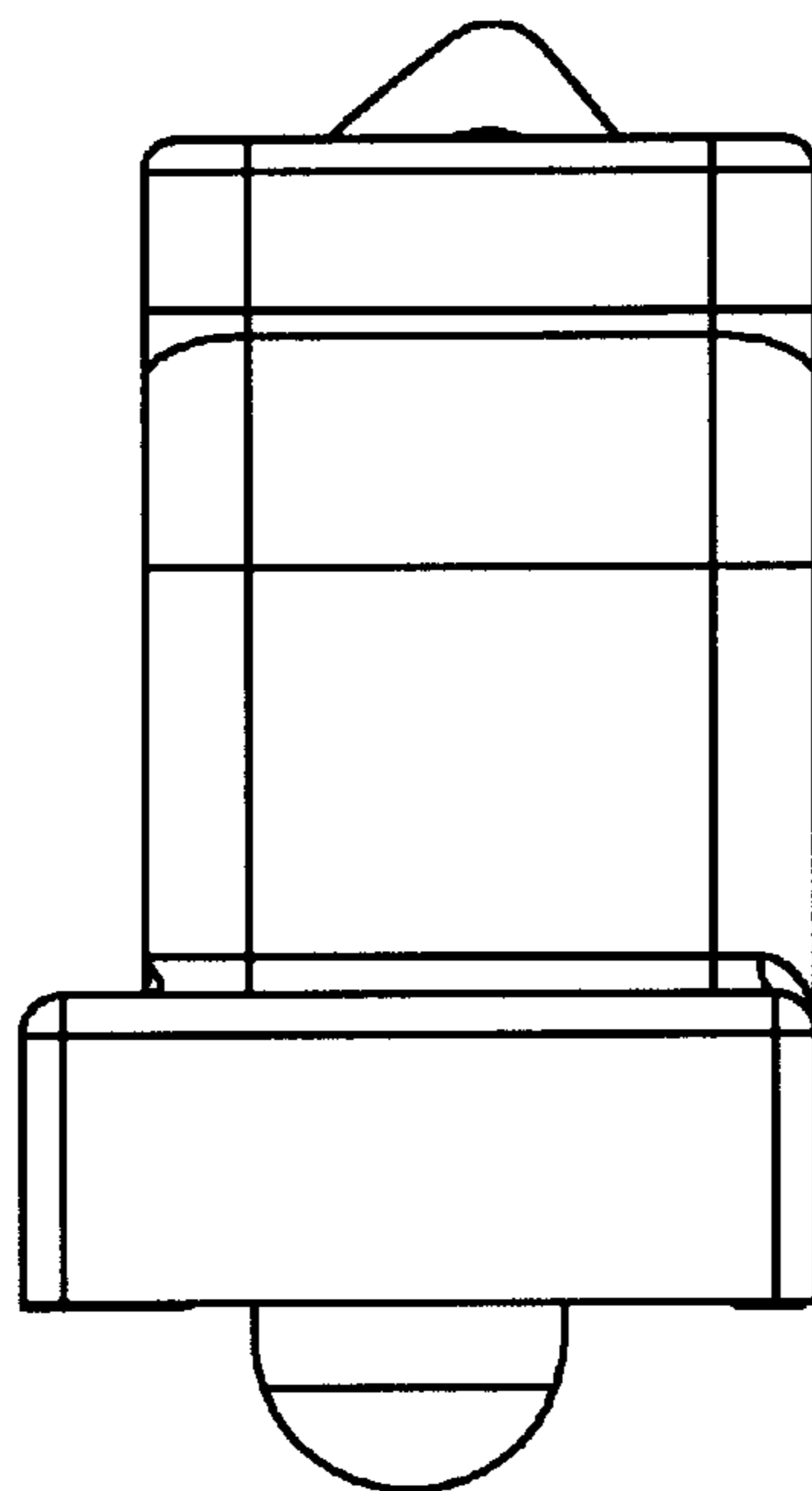


FIG. 5

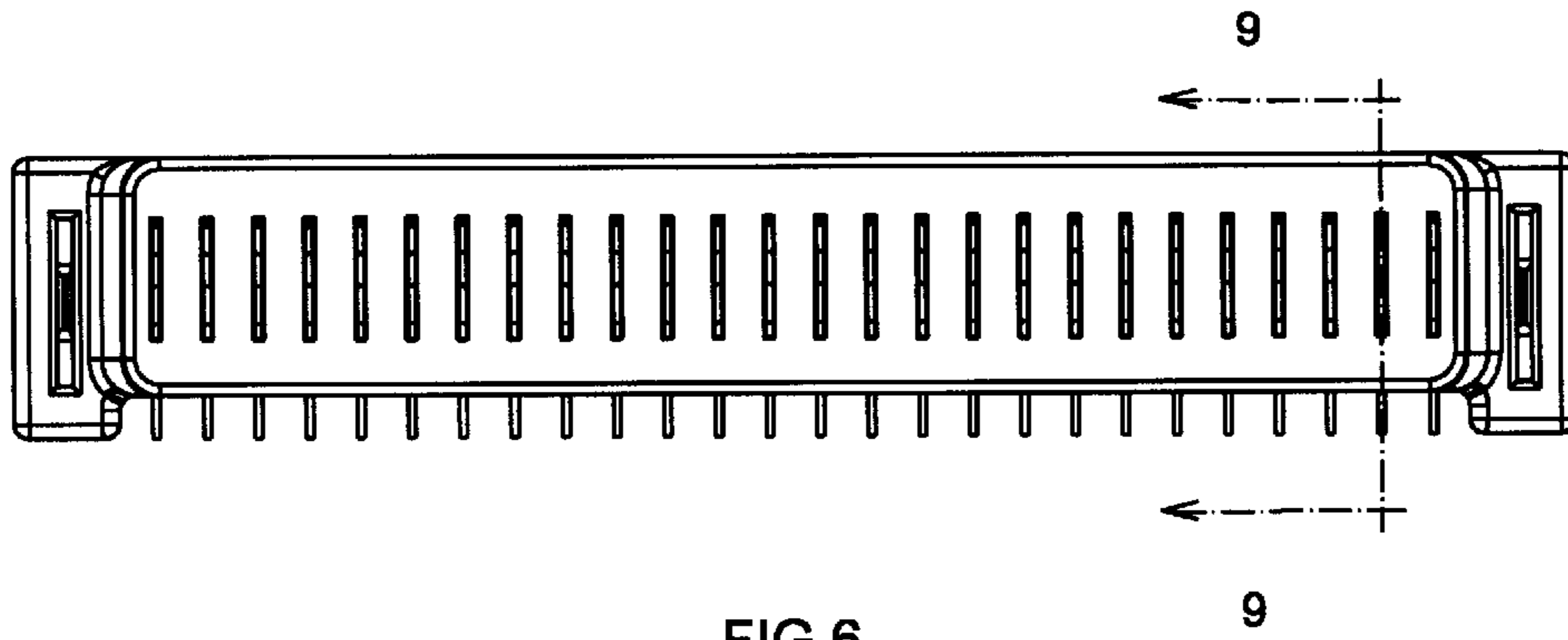


FIG. 6

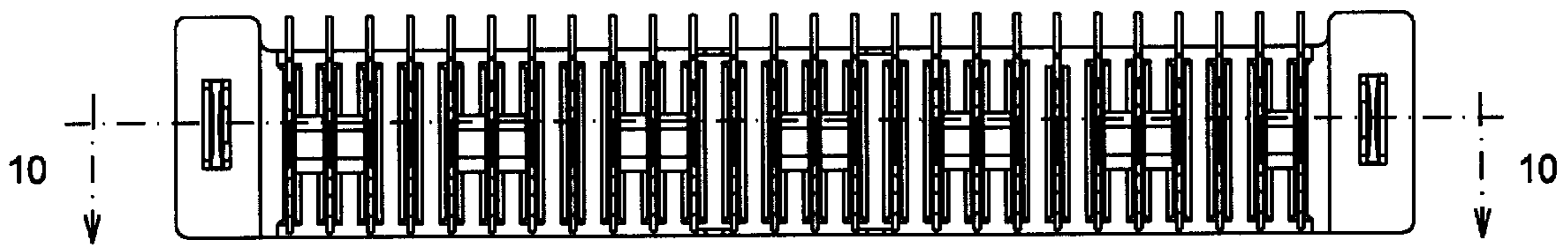


FIG. 7

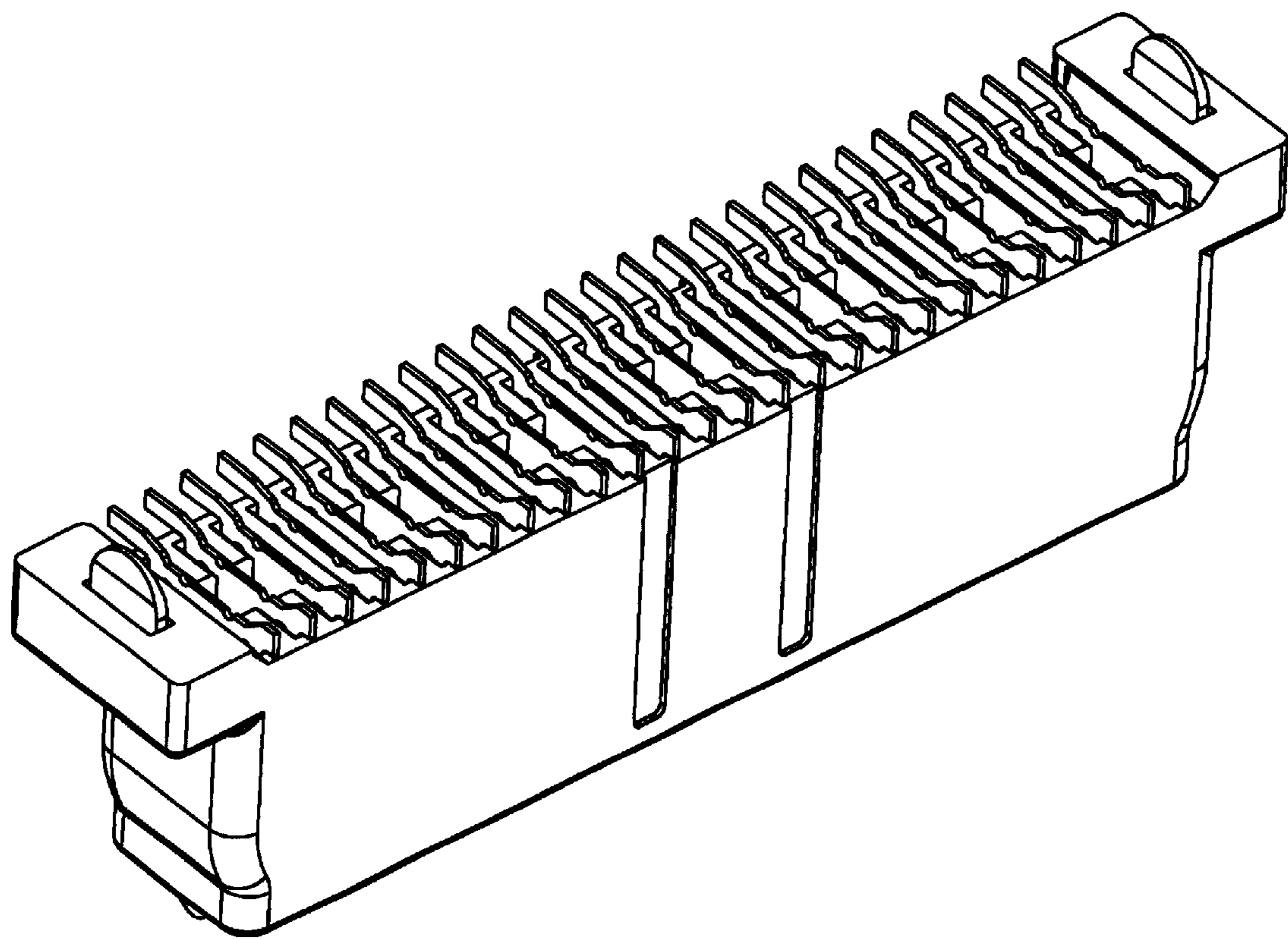


FIG.8

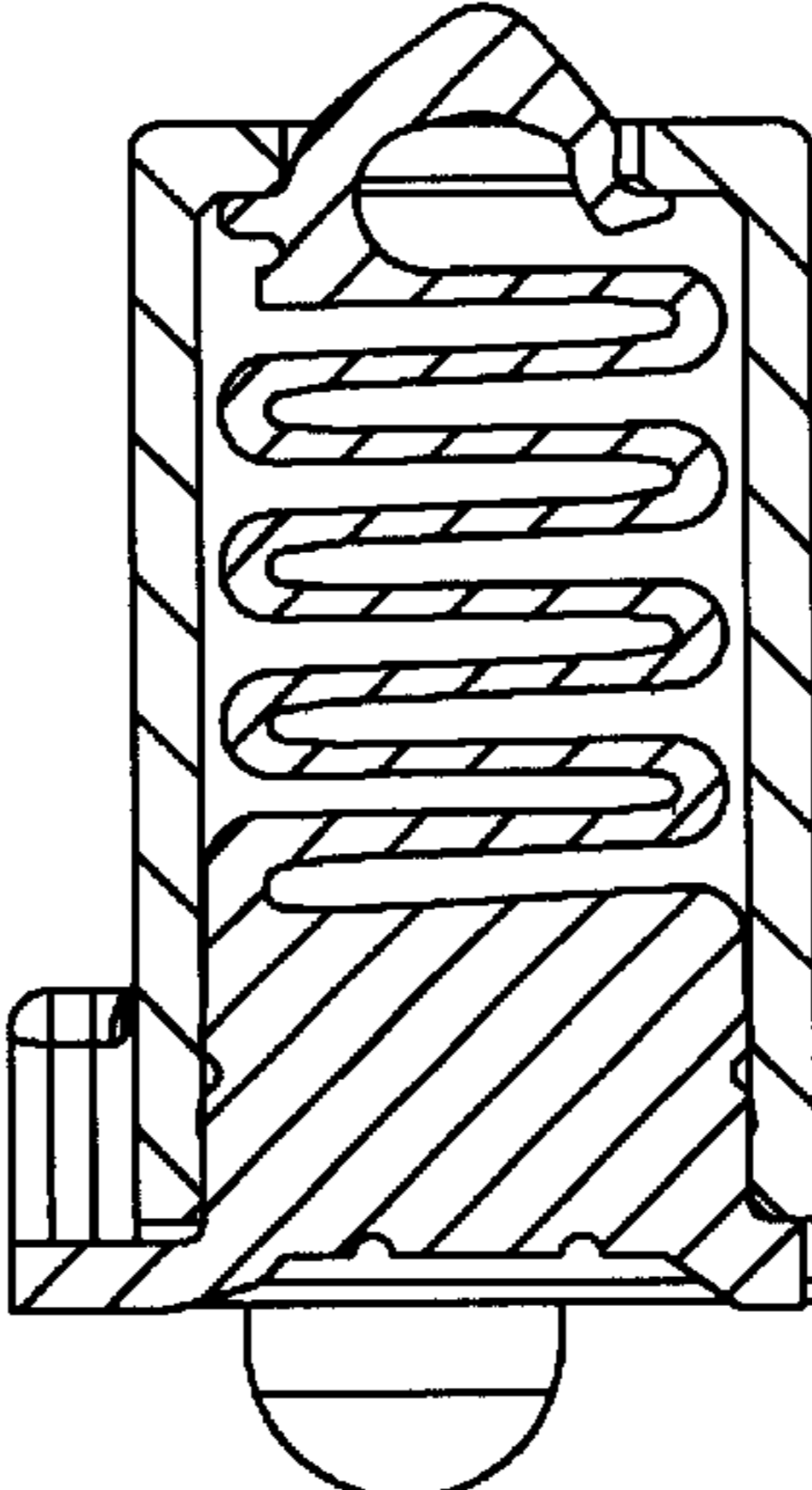


FIG. 9

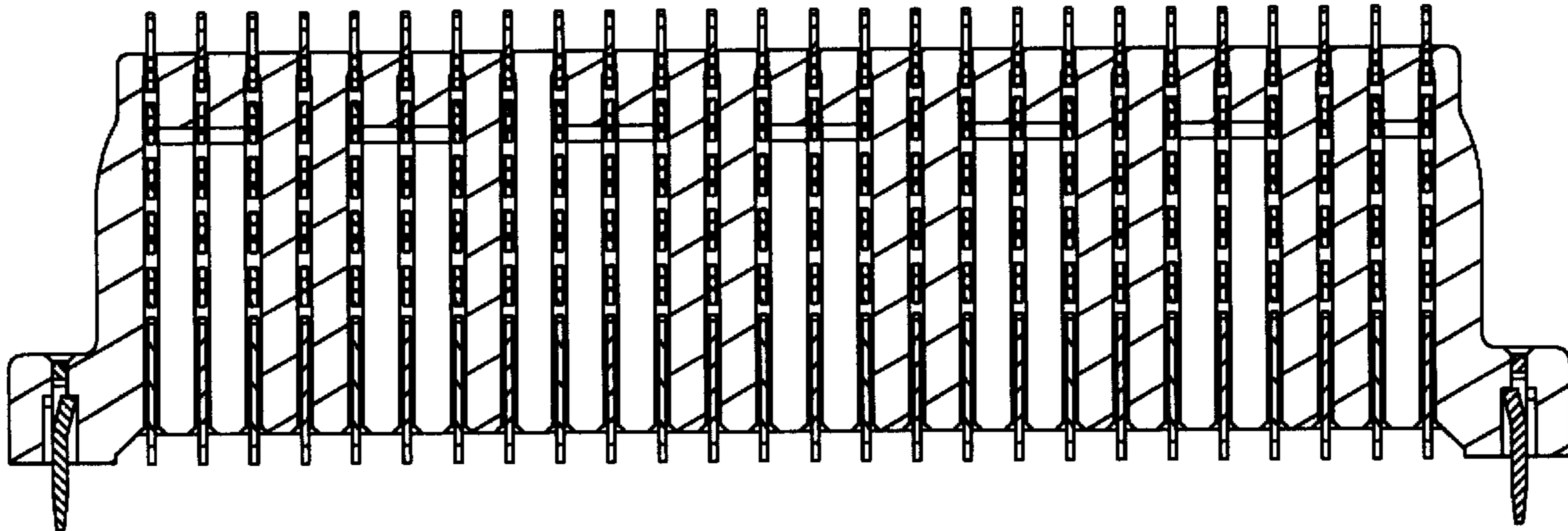


FIG. 10