

US00D531123S

(12) **United States Design Patent**
Hu et al.

(10) **Patent No.:** **US D531,123 S**
(45) **Date of Patent:** **** Oct. 31, 2006**

(54) **USB CONNECTOR**

(75) Inventors: **Jin-Kui Hu**, Kunshan (CN); **Guo-Hua Zhang**, Kunshan (CN); **Zi-Qiang Zhu**, Kunshan (CN)

(73) Assignee: **Hon Hai Precision Ind. Co., Ltd.**, Taipei Hsien (TW)

(**) Term: **14 Years**

(21) Appl. No.: **29/232,533**

(22) Filed: **Jun. 20, 2005**

(30) **Foreign Application Priority Data**

Dec. 20, 2004 (CN) 2004300551798

(51) **LOC (8) Cl.** **13-03**

(52) **U.S. Cl.** **D13/147**

(58) **Field of Classification Search** D13/133,
D13/146-147, 154, 184, 199; D14/356, 363,
D14/365, 385, 433; 439/350, 607-610, 677,
439/680-682

See application file for complete search history.

(56) **References Cited**

U.S. PATENT DOCUMENTS

D465,459 S * 11/2002 Zhu et al. D13/147

6,733,333 B1 * 5/2004 Chen 439/552
D500,737 S * 1/2005 Shao D13/147
D510,724 S * 10/2005 Li et al. D13/147
7,037,120 B1 * 5/2006 Yeh 439/131
2003/0207611 A1 * 11/2003 Lin et al. 439/501
2004/0102093 A1 * 5/2004 Huang 439/607
2006/0023433 A1 * 2/2006 Lin 361/752
2006/0024997 A1 * 2/2006 Teicher 439/217

* cited by examiner

Primary Examiner—Stella Reid

Assistant Examiner—Daniel Bui

(74) *Attorney, Agent, or Firm*—Wei Te Chung

(57) **CLAIM**

The ornamental design for a USB connector, as shown.

DESCRIPTION

FIG. 1 is a perspective view of a USB connector showing our new design;

FIG. 2 is a front elevational view of FIG. 1;

FIG. 3 is a rear elevational view of FIG. 1;

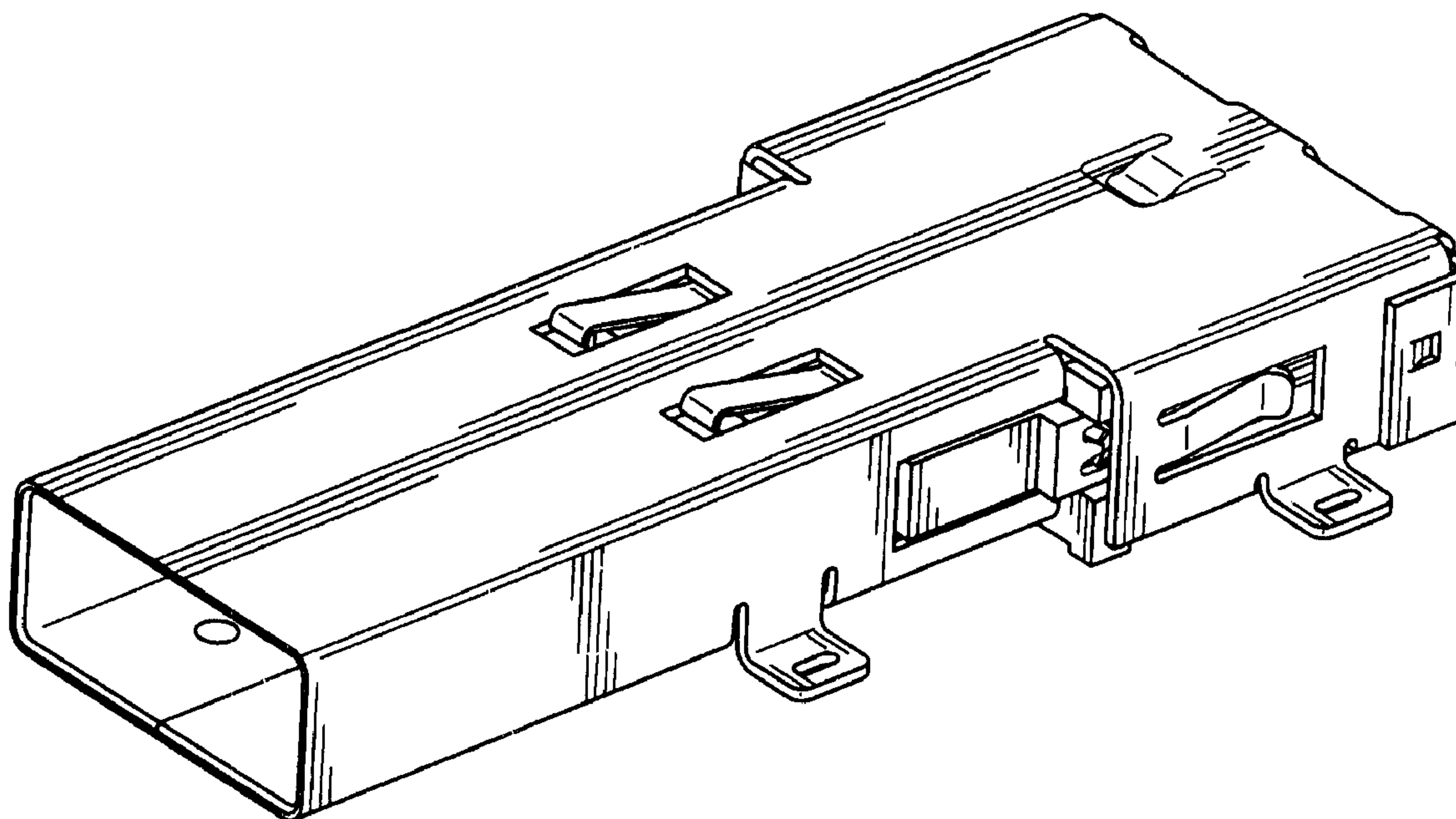
FIG. 4 is a left side elevational view of FIG. 1;

FIG. 5 is a right side elevational view of FIG. 1;

FIG. 6 is a top plan view of FIG. 1; and,

FIG. 7 is a bottom plan view of FIG. 1.

1 Claim, 6 Drawing Sheets



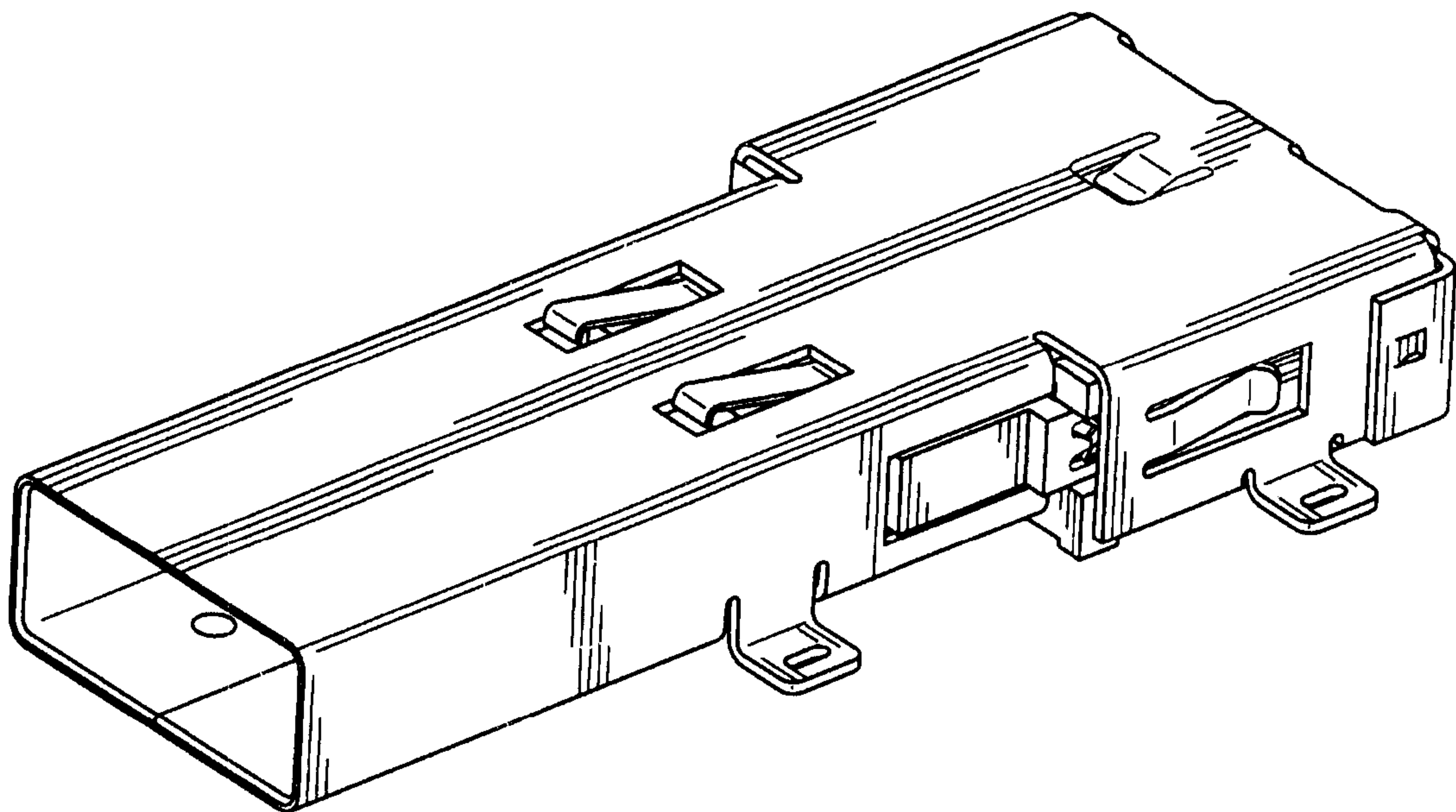


FIG. 1

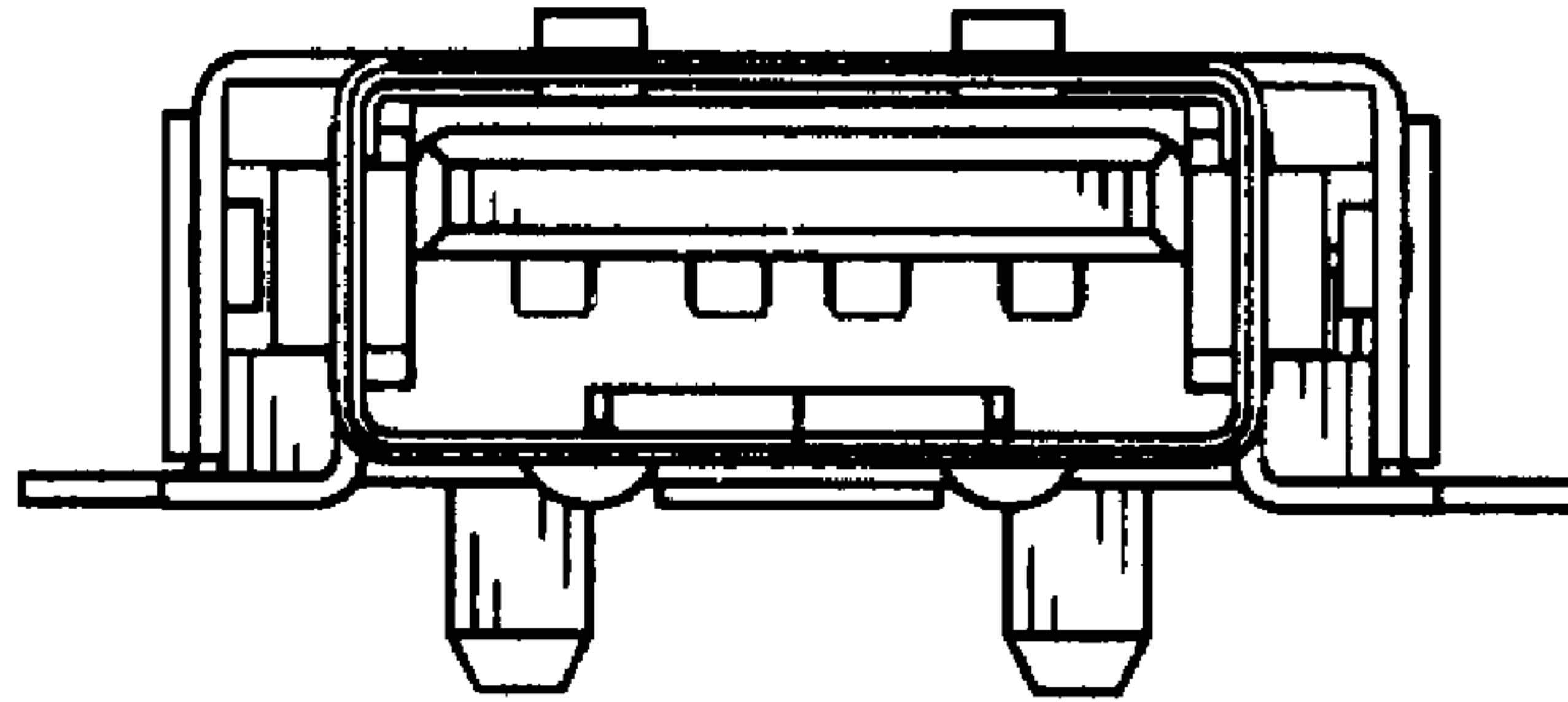


FIG. 2

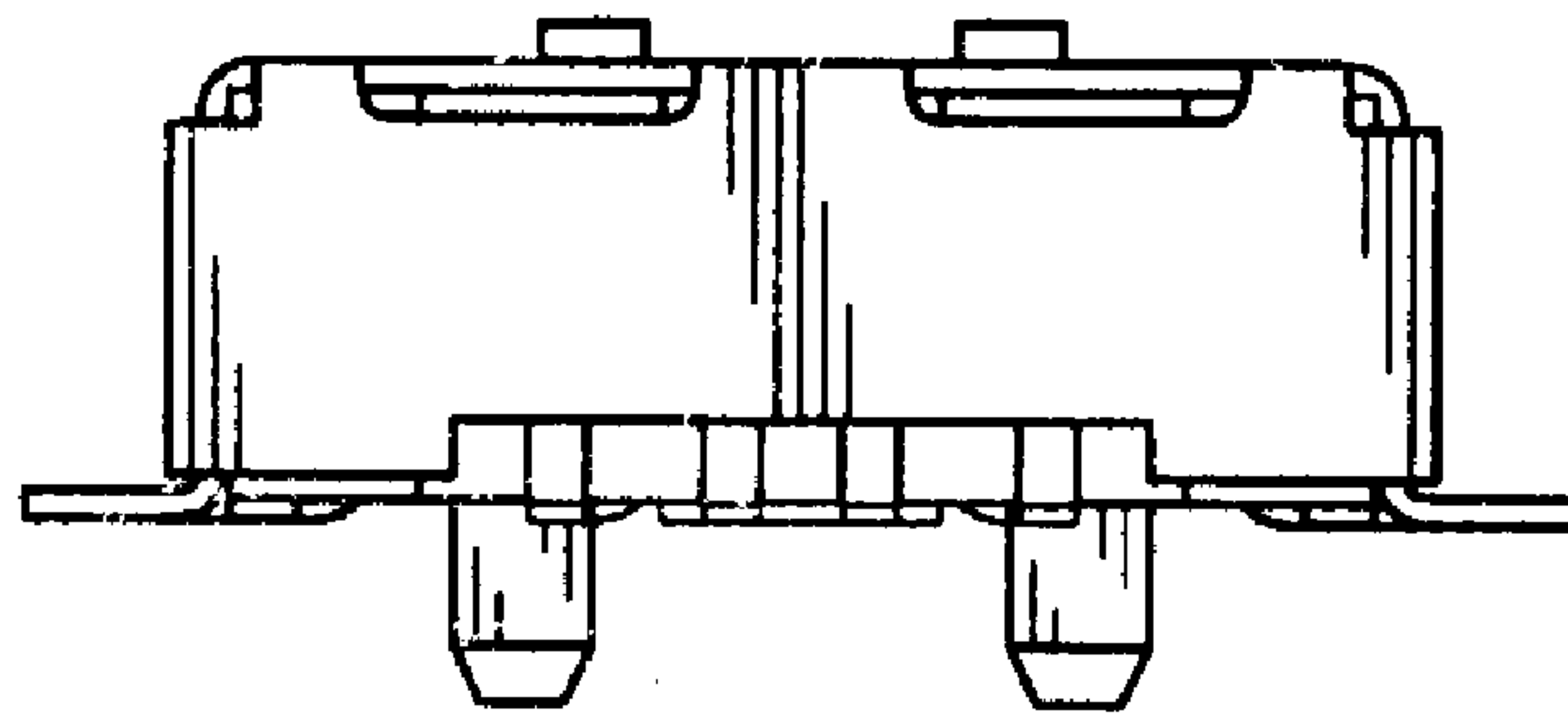


FIG. 3

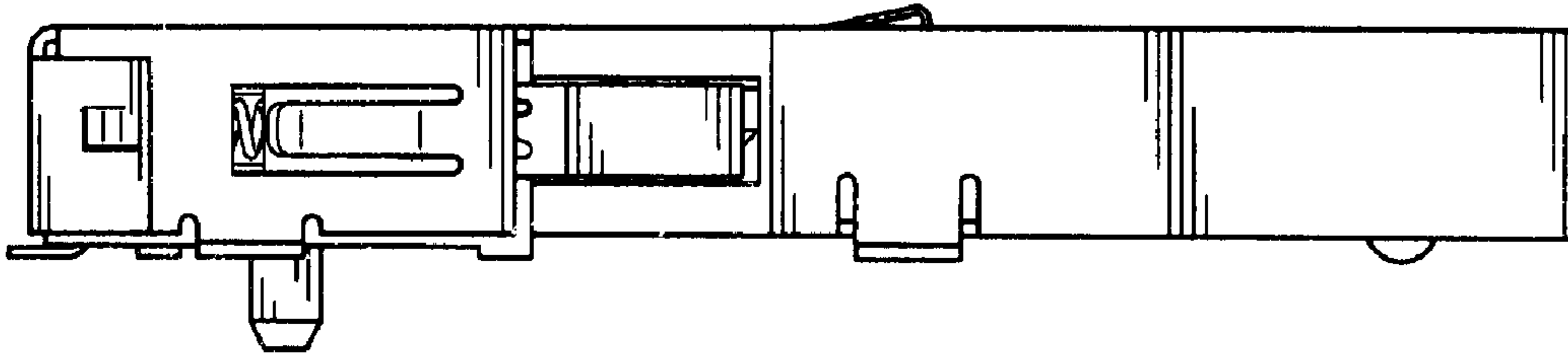


FIG. 4

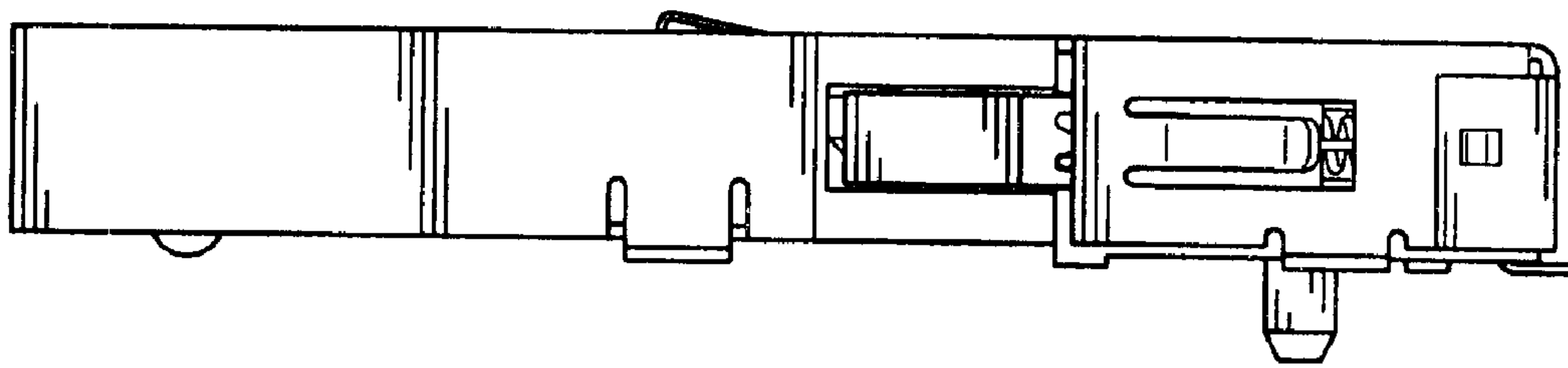


FIG. 5

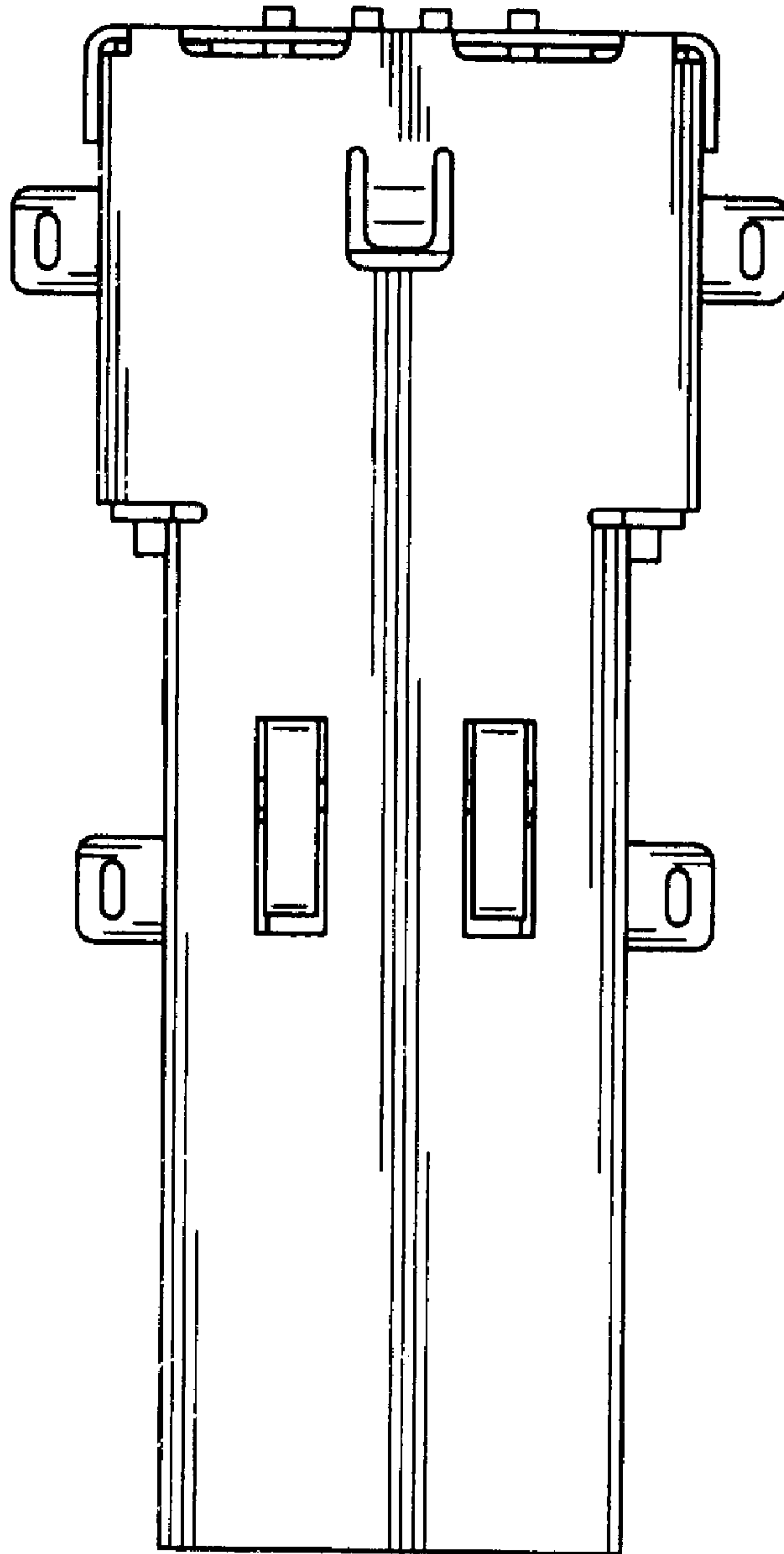


FIG. 6

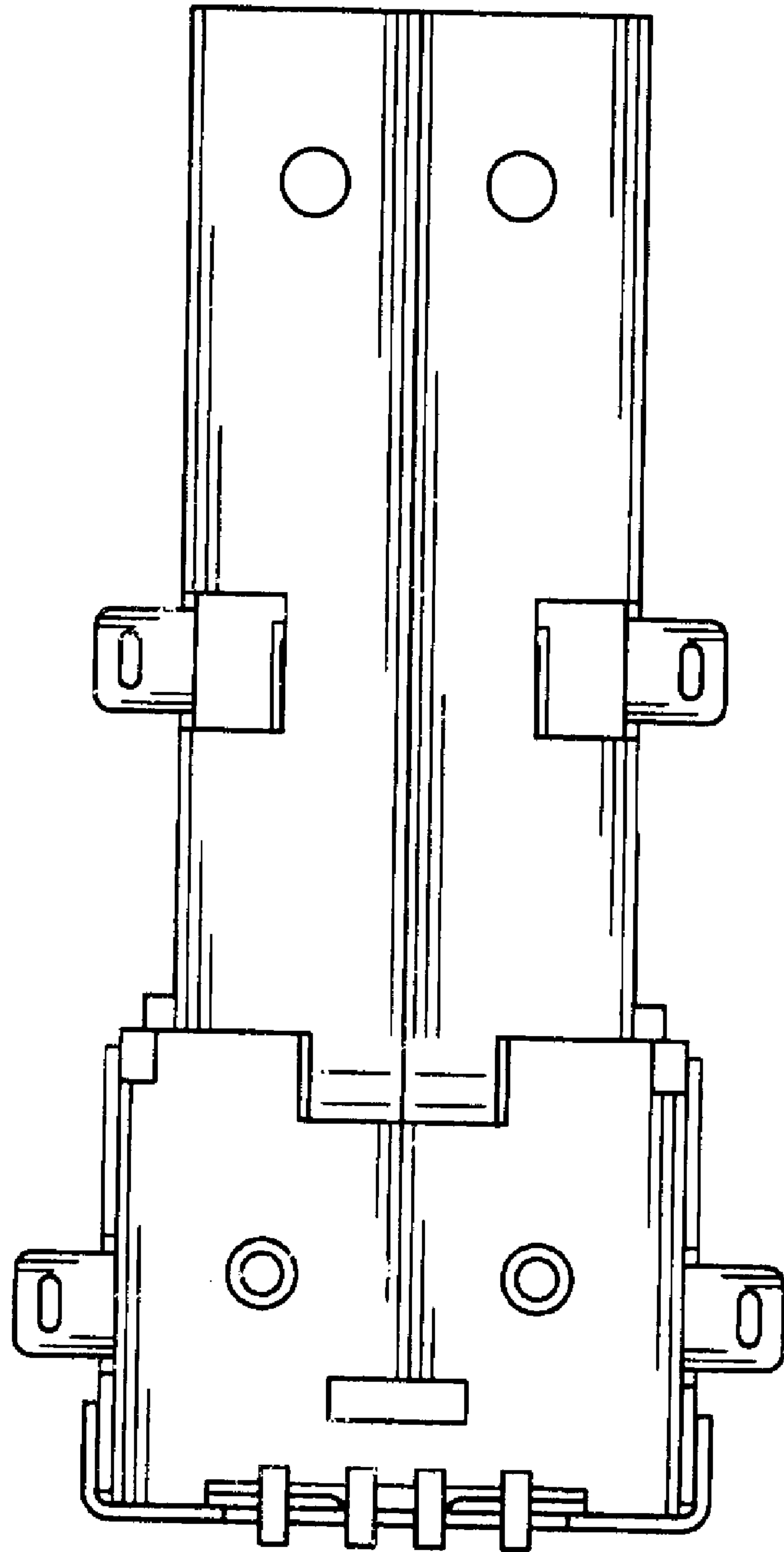


FIG. 7