



US00D531122S

(12) **United States Design Patent**  
**Asai et al.**

(10) **Patent No.:** **US D531,122 S**  
(45) **Date of Patent:** **\*\* Oct. 31, 2006**

(54) **ELECTRICAL CONNECTOR**

(75) Inventors: **Kiyoshi Asai**, Tokyo (JP); **Junichi Kobayashi**, Tokyo (JP); **Kazuaki Kanazawa**, Tokyo (JP)

(73) Assignee: **SMK Corporation**, Tokyo (JP)

(\*\*) Term: **14 Years**

(21) Appl. No.: **29/212,892**

(22) Filed: **Sep. 10, 2004**

(30) **Foreign Application Priority Data**

Mar. 12, 2004 (JP) ..... 2004-007322

(51) **LOC (8) Cl.** ..... **13-03**

(52) **U.S. Cl.** ..... **D13/147**

(58) **Field of Classification Search** ..... D13/133,  
D13/146-147, 154, 199; 439/71-73, 266,  
439/326, 330-331, 630, 638

See application file for complete search history.

(56) **References Cited**

**U.S. PATENT DOCUMENTS**

- 5,073,116 A \* 12/1991 Beck, Jr. .... 439/71
- 5,073,117 A \* 12/1991 Malhi et al. .... 439/71
- D493,427 S \* 7/2004 Nishio et al. .... D13/147

- D502,144 S \* 2/2005 Nishio et al. .... D13/147
- D502,921 S \* 3/2005 Zhang et al. .... D13/147
- 2005/0239302 A1 \* 10/2005 Wada ..... 439/71

**FOREIGN PATENT DOCUMENTS**

JP 11 79 175 7/2003

\* cited by examiner

*Primary Examiner*—Stella Reid

*Assistant Examiner*—Daniel Bui

(74) *Attorney, Agent, or Firm*—Sughrue Mion, PLLC

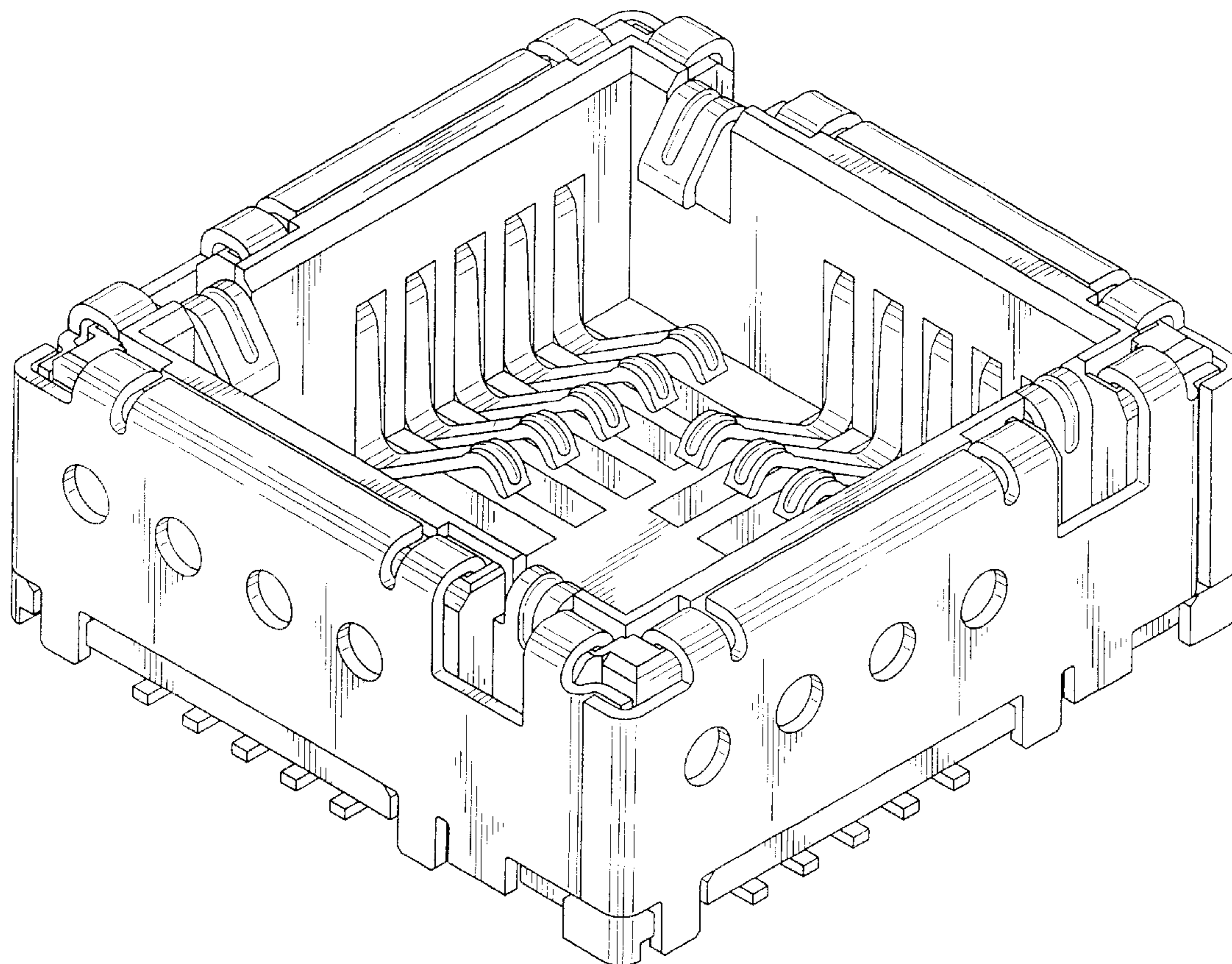
(57) **CLAIM**

The ornamental design for an electrical connector, as shown and described.

**DESCRIPTION**

FIG. 1 is a perspective view of the top, front and left side of an electrical connector showing our new design; FIG. 2 is a top plan view thereof; FIG. 3 is a bottom plan view thereof; FIG. 4 is a rear elevational view thereof; FIG. 5 is a front elevational view thereof; FIG. 6 is a left side elevational view thereof; FIG. 7 is a right side elevational view thereof; and, FIG. 8 is a cross sectional view taken along the line 8—8 as shown in FIG. 2 thereof.

**1 Claim, 6 Drawing Sheets**



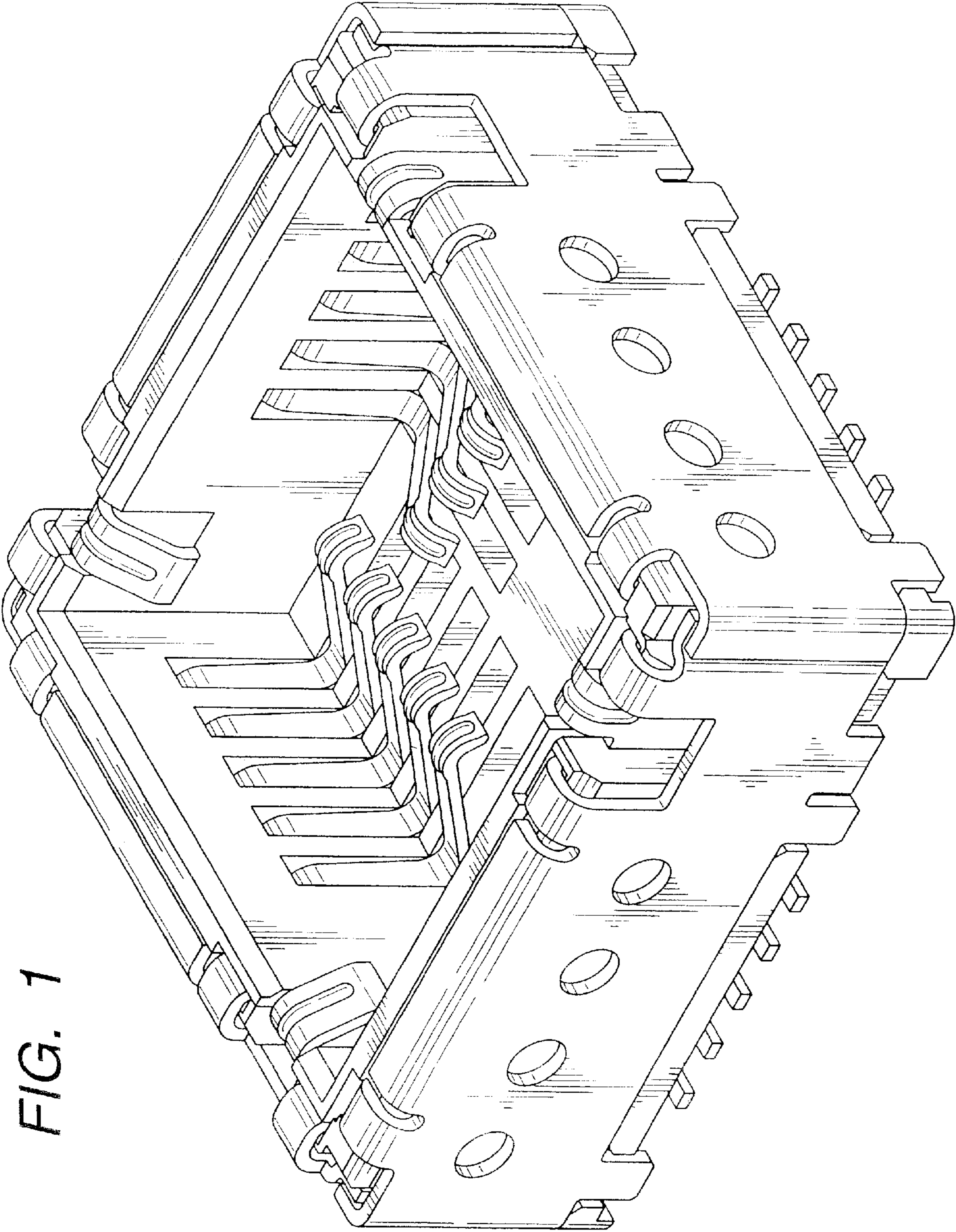
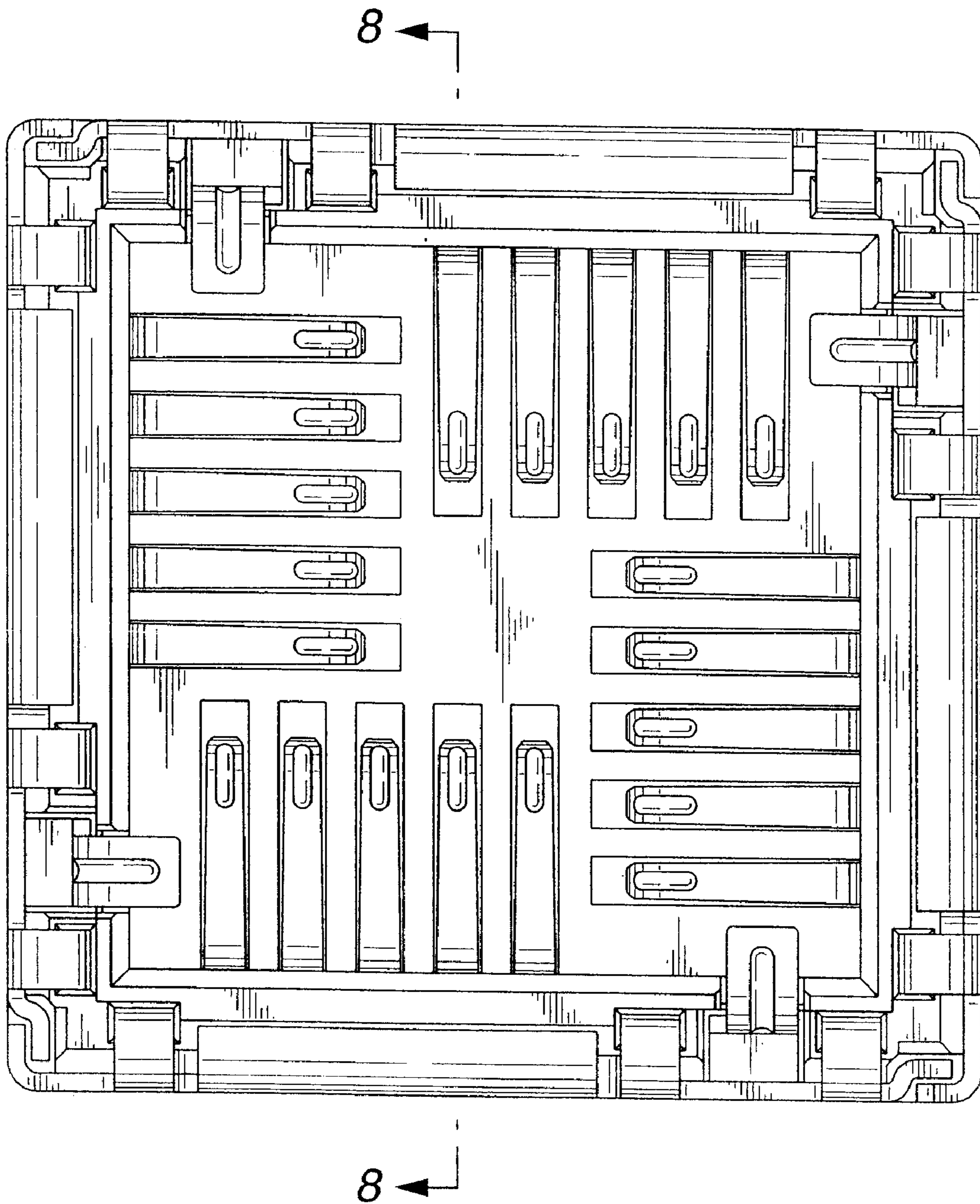
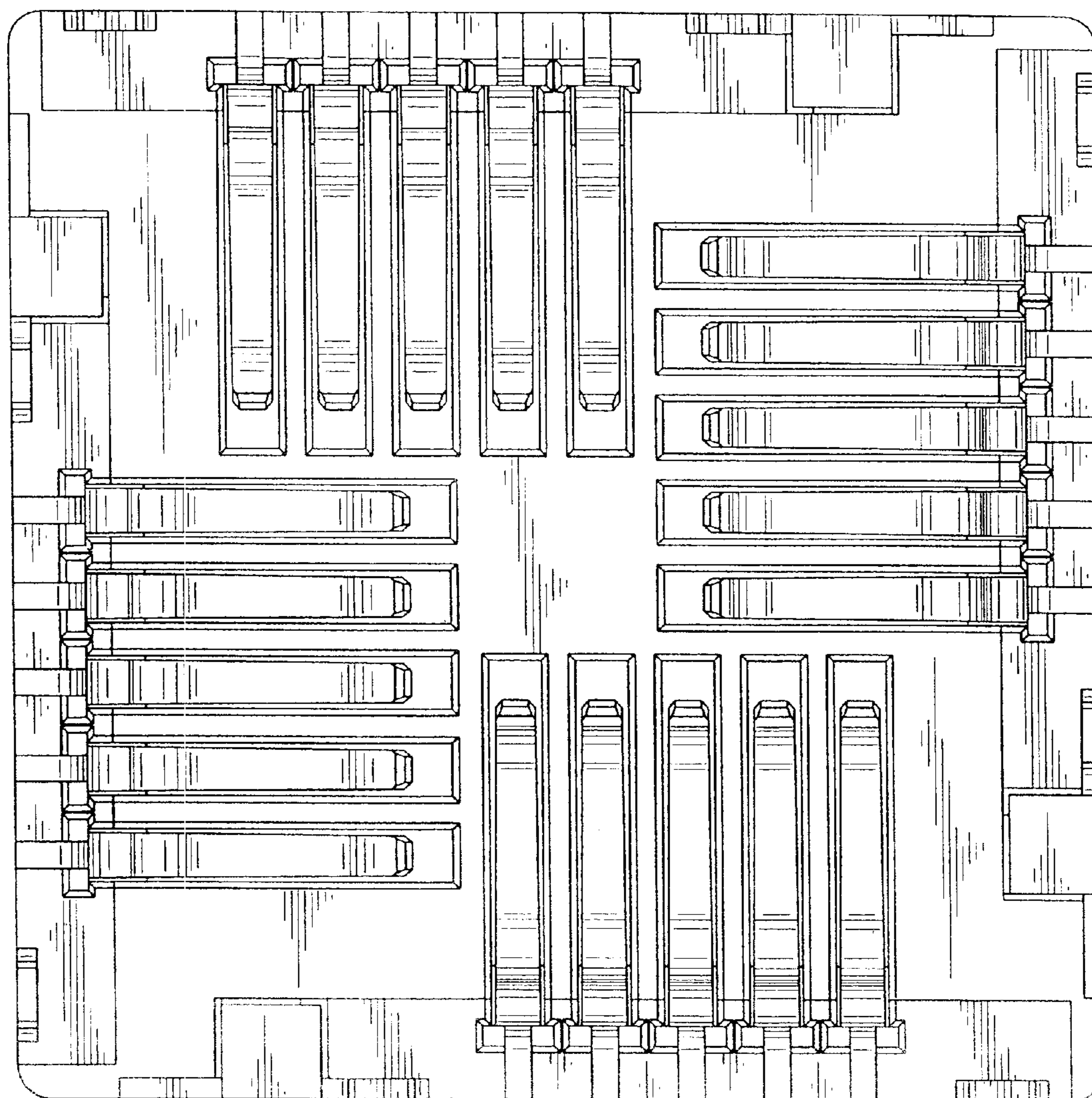


FIG. 1

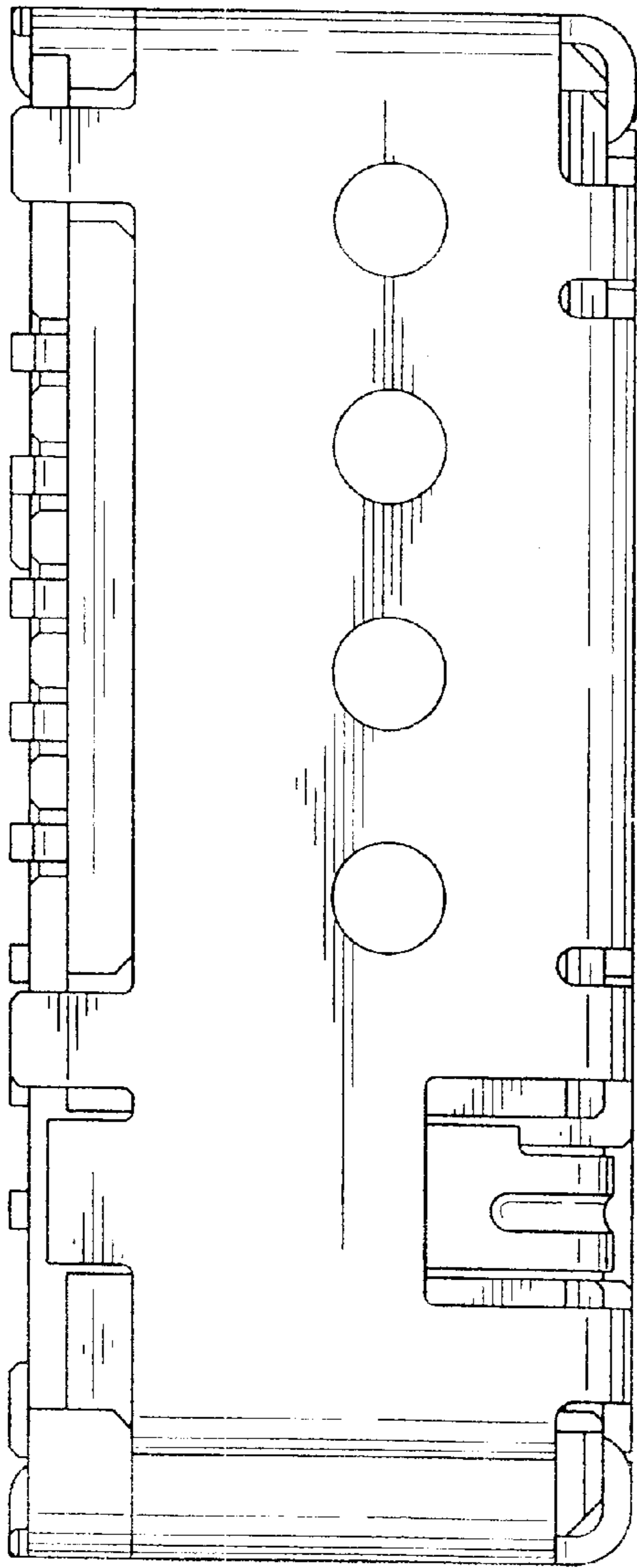
FIG. 2



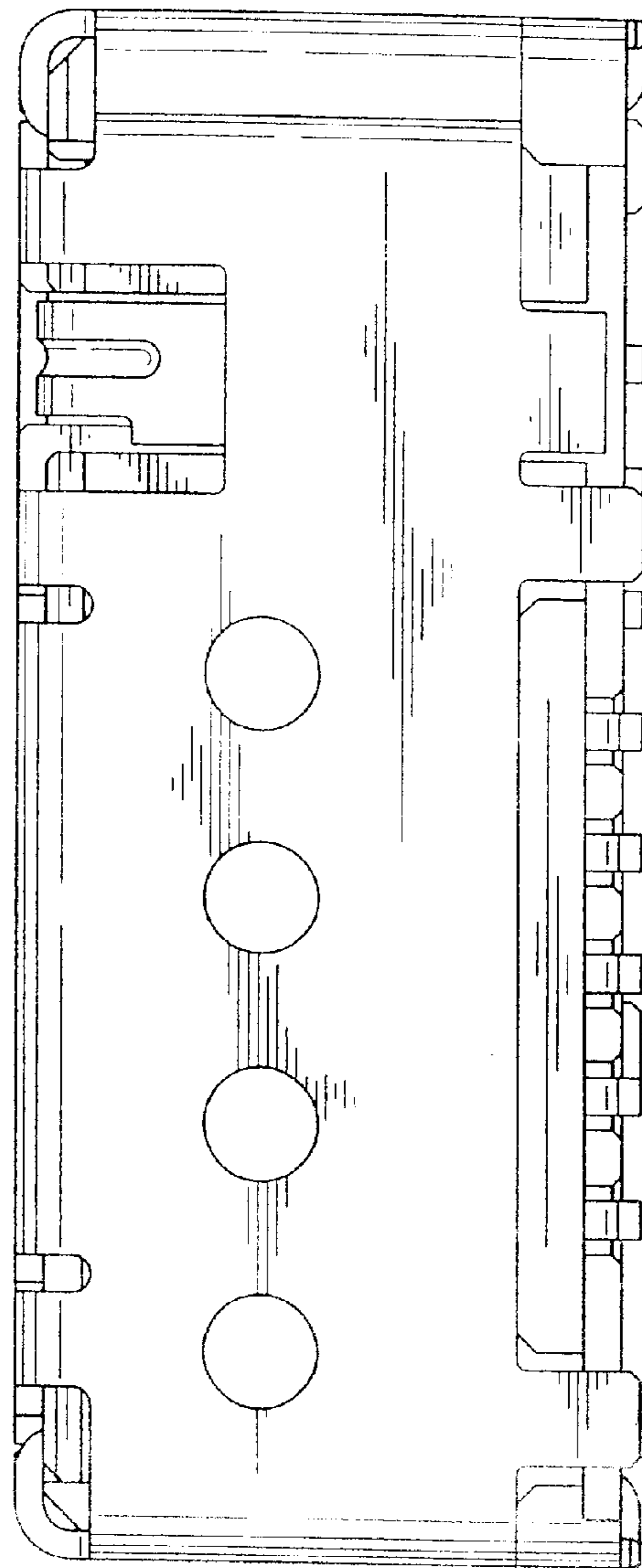
*FIG. 3*



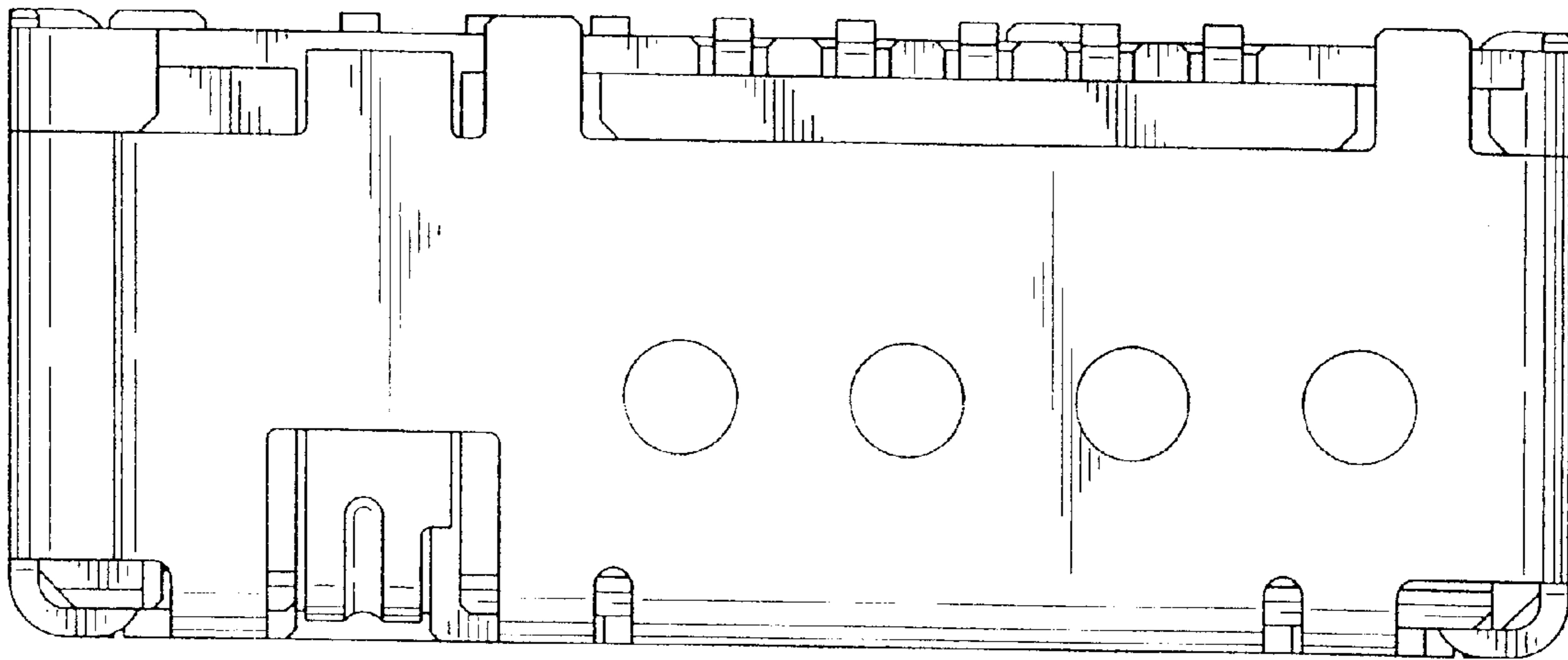
*FIG. 4*



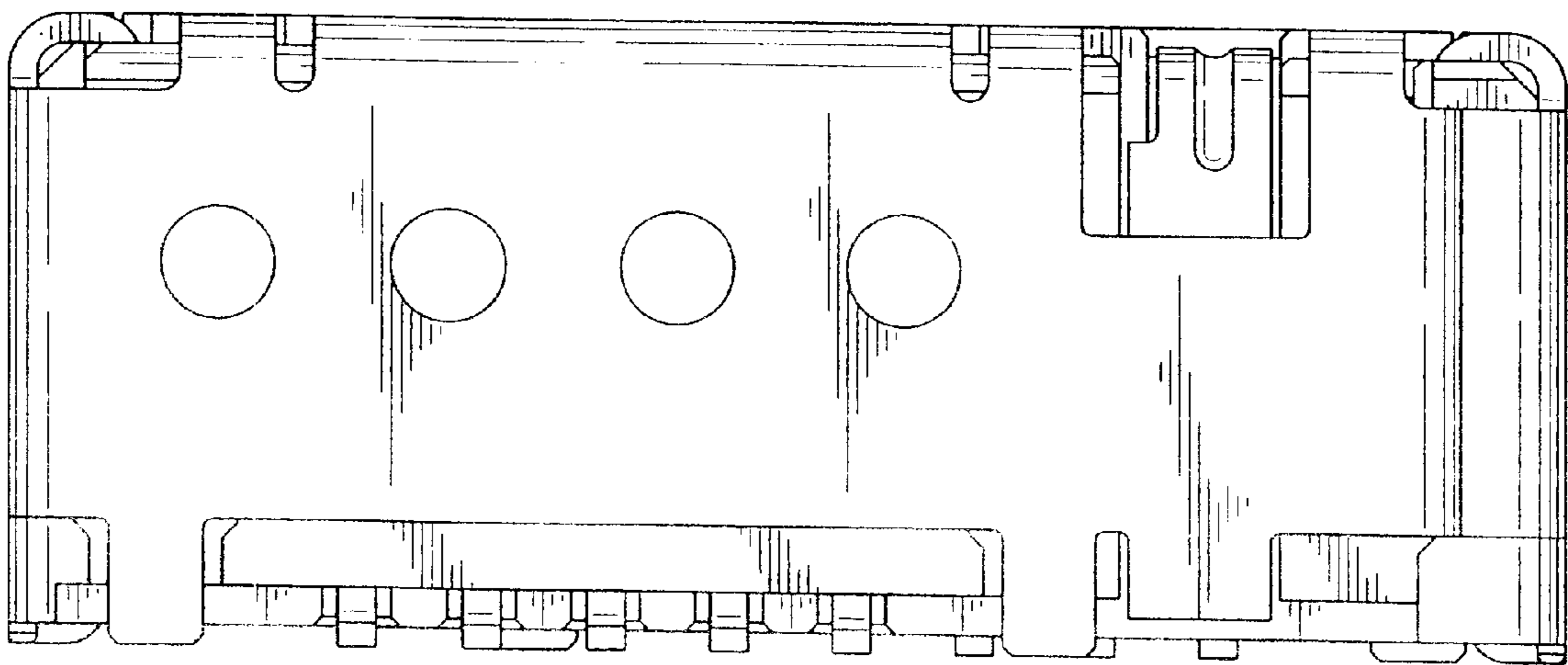
*FIG. 5*



*FIG. 6*



*FIG. 7*



*FIG. 8*

