



US00D531121S

(12) **United States Design Patent**
Fort et al.

(10) **Patent No.:** **US D531,121 S**
(45) **Date of Patent:** **** Oct. 31, 2006**

(54) **PORTION OF A GROUND FAULT INTERRUPTER**
(75) Inventors: **Tucker H. Fort**, New York, NY (US); **Mark B. Greenwald**, Westport, CT (US); **Jean Claude Marcou**, Limoges (FR); **Jay J. Mendelson**, Hartsdale, NY (US); **Gunter A. Gallas**, Woodbury, NY (US); **Gregory Moreinis**, Forest Hills, NY (US); **Jeffrey J. Ausfeld**, New York, NY (US); **Yuliy Rushansky**, Port Washington, NY (US)

D318,848 S 8/1991 Scholl
5,320,542 A * 6/1994 Cheng 439/148
5,594,398 A 1/1997 Marcou et al.
D401,555 S * 11/1998 Tam D13/137.3
5,933,063 A 8/1999 Keung et al.
D413,862 S 9/1999 Huang et al.
D419,531 S 1/2000 Keung et al.
6,040,967 A 3/2000 DiSalvo
D430,539 S 9/2000 Leopold et al.
D432,990 S * 10/2000 Stekelenburg D13/137.3
6,129,578 A * 10/2000 McCarrick et al. 439/488

(Continued)

(73) Assignee: **Cooper Wiring Devices, Inc.**, Peachtree City, GA (US)

(**) Term: **14 Years**

(21) Appl. No.: **29/243,098**

(22) Filed: **Nov. 18, 2005**

Related U.S. Application Data

(63) Continuation of application No. 29/193,494, filed on Nov. 10, 2003, now Pat. No. Des. 512,021.

(51) **LOC (8) Cl.** **13-03**

(52) **U.S. Cl.** **D13/139.3**

(58) **Field of Classification Search** .. D13/137.1-137.4, D13/139.1-139.8; 174/50-51, 53-55, 58, 174/66-67

See application file for complete search history.

(56) **References Cited**

U.S. PATENT DOCUMENTS

D150,529 S * 8/1948 Adler D13/139.6
D230,274 S 2/1974 Palos
D231,466 S 4/1974 Pulos
D269,341 S 6/1983 Doyle et al.
D269,430 S 6/1983 Doyle et al.
D269,510 S 6/1983 Doyle et al.
4,518,945 A 5/1985 Doyle et al.
4,595,894 A 6/1986 Doyle et al.
4,802,052 A 1/1989 Brant et al.

OTHER PUBLICATIONS

Installation and Operating Instructions for IMPRESSIONS 3-Key Incandescent Touch Dimmers, Press & Seymour, May 1992.

IMPRESSIONS Electrical Wiring Devices and Accessories, Pass & Seymour, Apr. 1991.

Catalog for LEVITON Wiring Devices for Construction and Maintenance, Leviton Manufacturing Co., Inc. (2000).

LUTRON Residential Lighting Controls Catalog. pp. 70-73, Lutron Electronics Co., Inc. (2001).

Primary Examiner—Alan P. Douglas

Assistant Examiner—Rosemary K. Tarcza

(74) *Attorney, Agent, or Firm*—Saidman DesignLaw Group

(57) **CLAIM**

The ornamental design for a portion of a ground fault interrupter, as shown and described.

DESCRIPTION

FIG. 1 is a front, bottom and right side perspective view of the design;

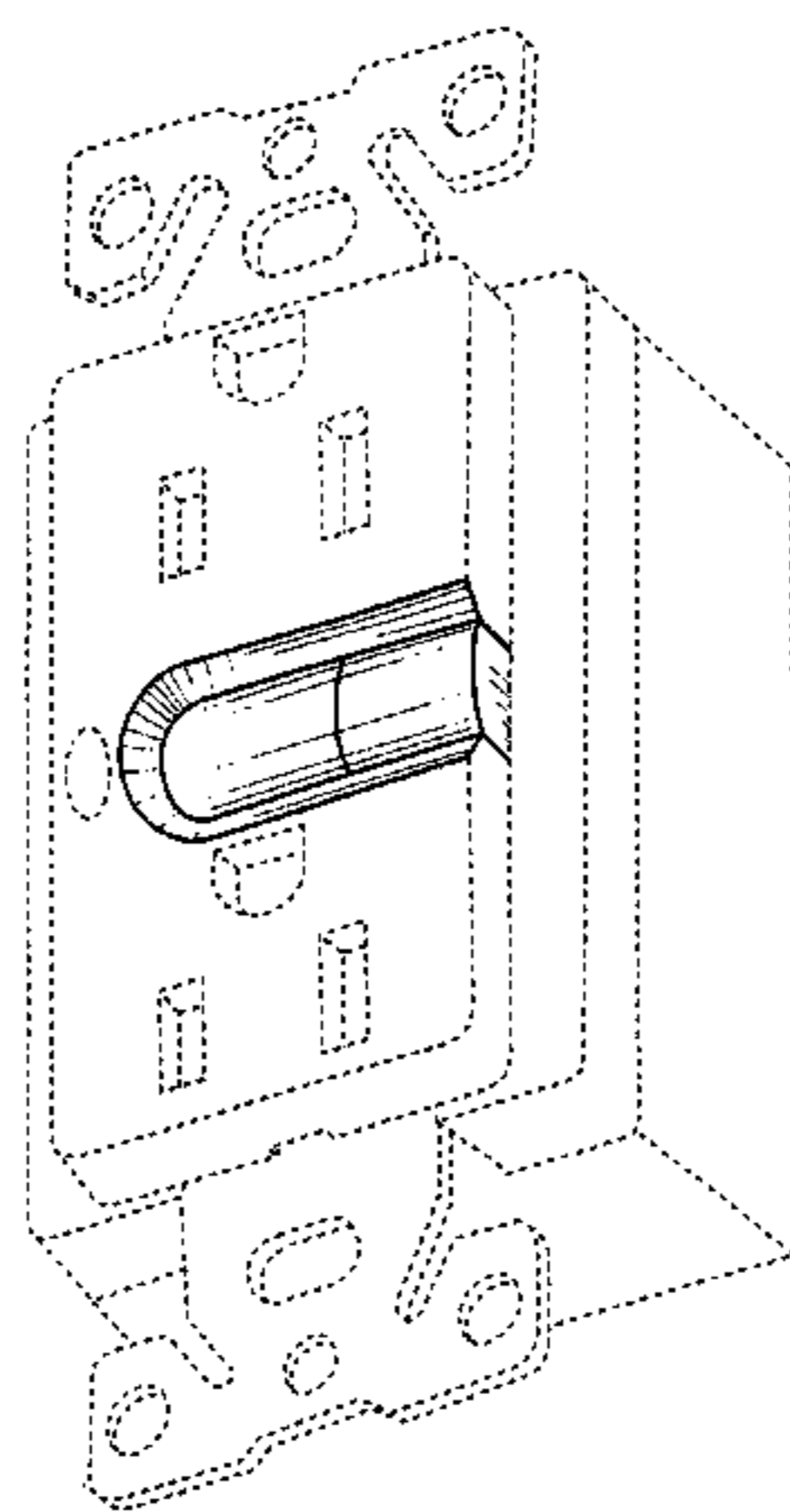
FIG. 2 is a front view thereof;

FIG. 3 is a right side view thereof; and,

FIG. 4 is a front, bottom and right side perspective view of the design in combination with a wall plate.

In all of the views, the dotted lines are for environmental purposes only and form no part of the claimed design. The rear is not part of the claimed design.

1 Claim, 3 Drawing Sheets



US D531,121 S

Page 2

U.S. PATENT DOCUMENTS			
6,184,466	B1	2/2001	Eder et al.
D462,660	S	9/2002	Huang et al.
D462,661	S *	9/2002	Owens D13/139.6
D470,108	S	2/2003	Daoxian et al.
6,515,564	B1	2/2003	Leopold et al.
D486,792	S *	2/2004	Stoughton D13/137.2
D494,139	S	8/2004	Allen, Jr.
D512,021	S *	11/2005	Fort et al. D13/139.6
D515,505	S *	2/2006	Lin D13/139.6
7,034,224	B1 *	4/2006	Kim et al. 174/53

* cited by examiner

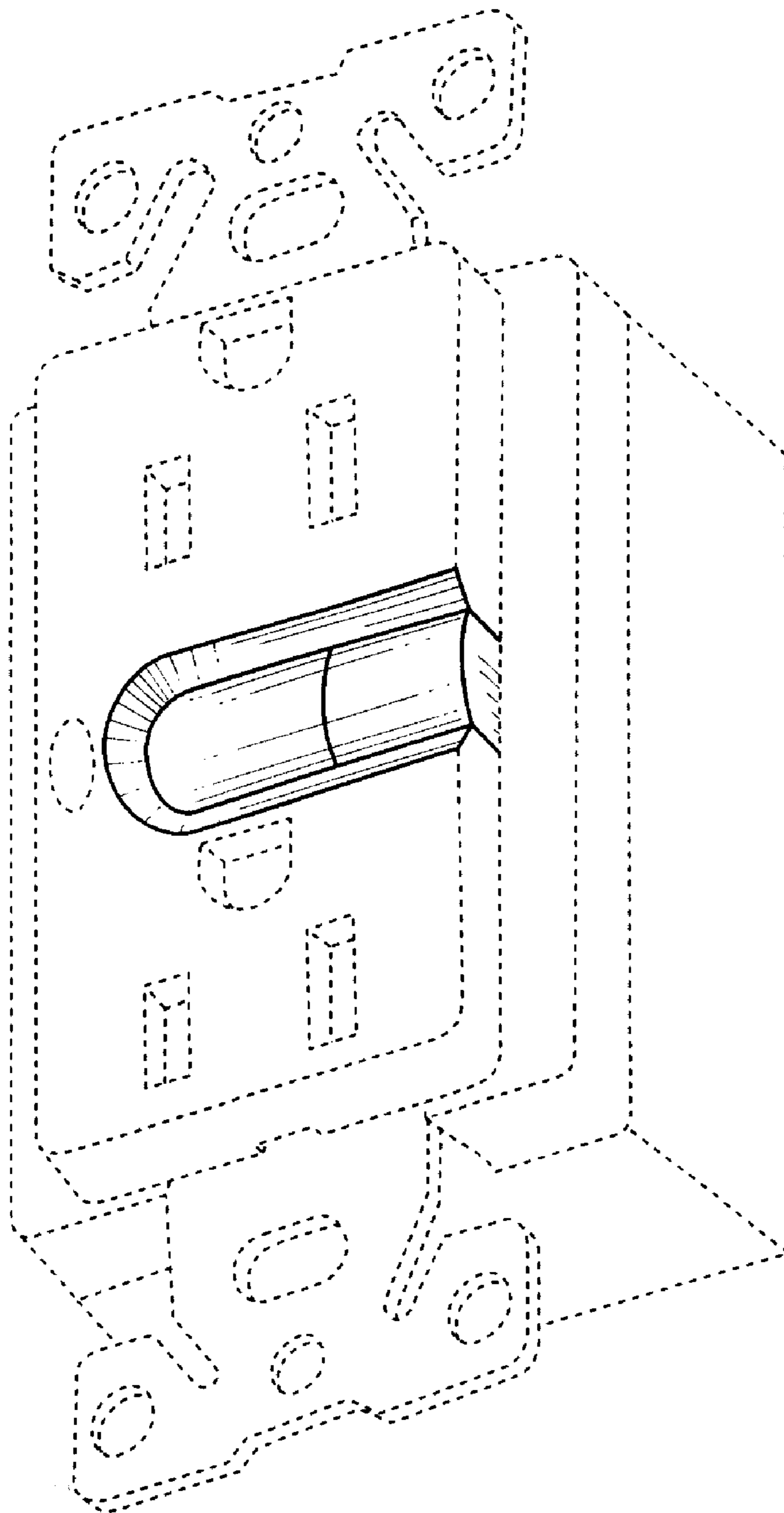


Fig. 1

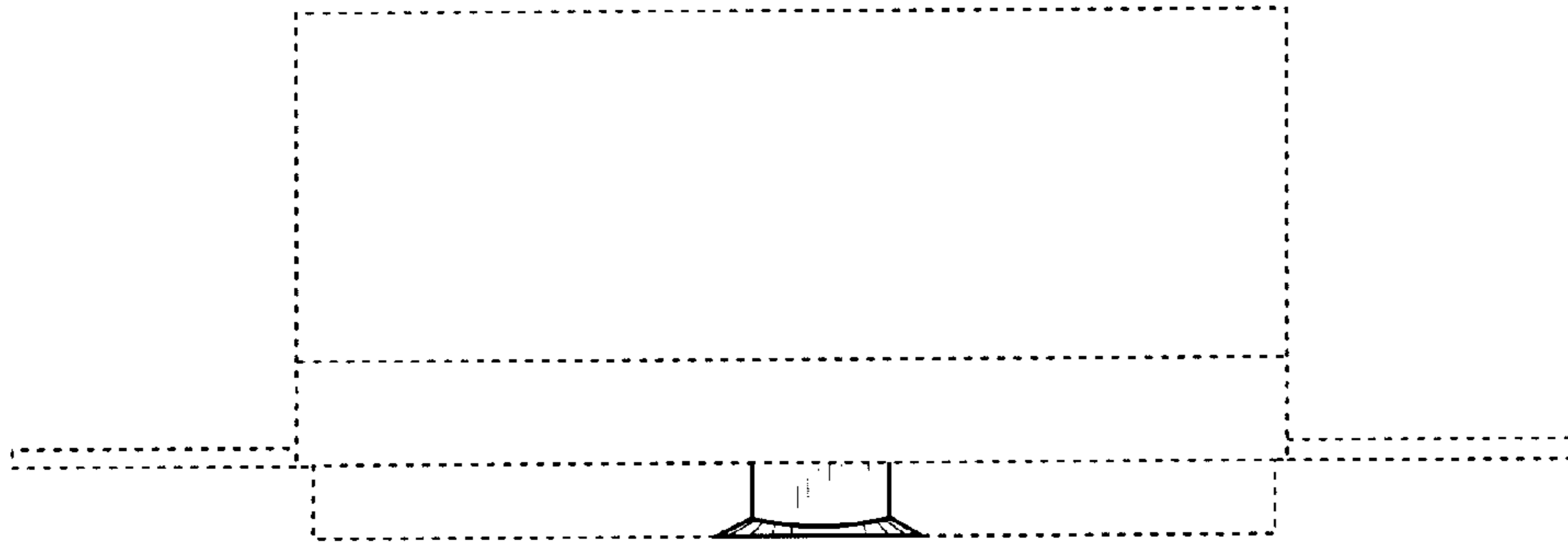


Fig. 3

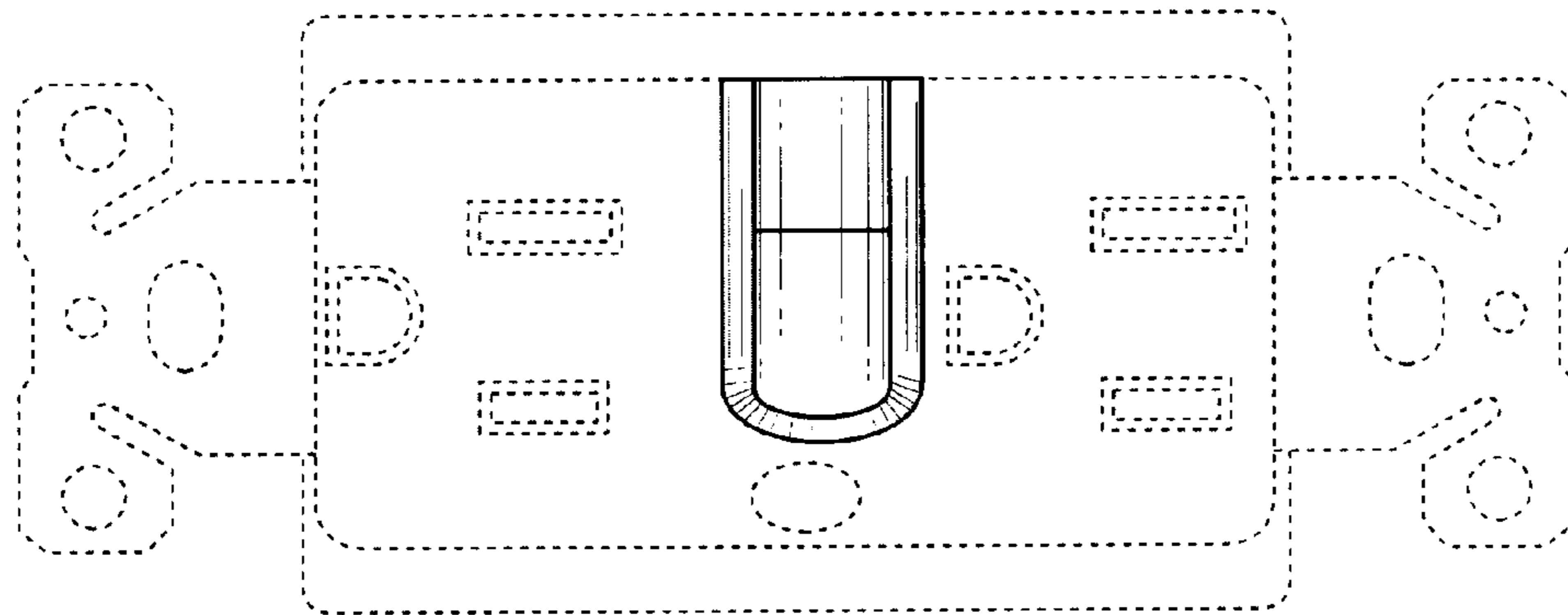


Fig. 2

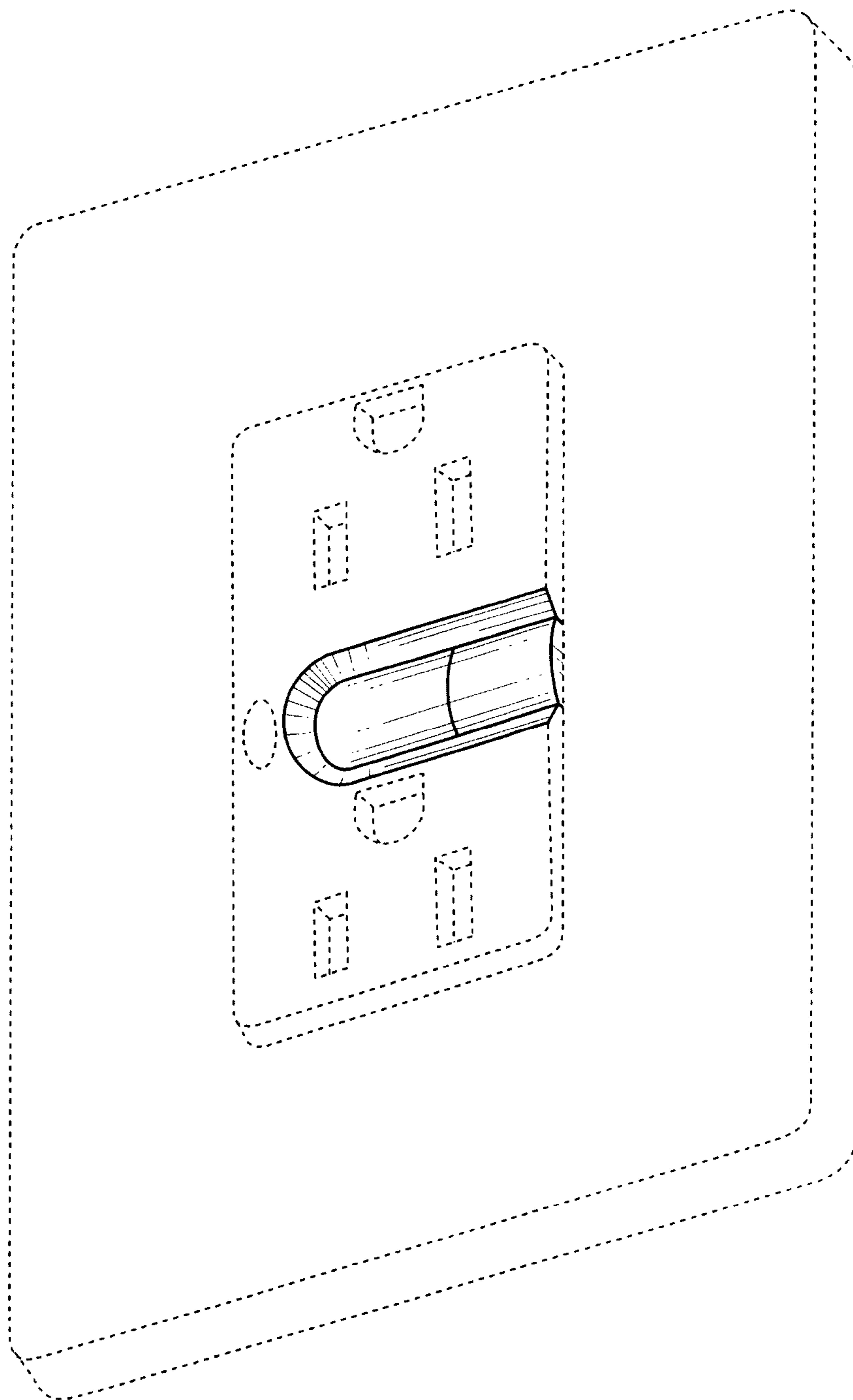


Fig. 4