



US00D531120S

(12) **United States Design Patent**
Tamura

(10) **Patent No.:** **US D531,120 S**

(45) **Date of Patent:** **** Oct. 31, 2006**

(54) **HOUSING FOR ELECTRICAL CONNECTOR**

(75) Inventor: **Shigenori Tamura**, Toyama (JP)

(73) Assignee: **SMK Corporation**, Tokyo (JP)

(**) Term: **14 Years**

(21) Appl. No.: **29/233,741**

(22) Filed: **Jul. 11, 2005**

(51) **LOC (8) Cl.** **13-03**

(52) **U.S. Cl.** **D13/133**

(58) **Field of Classification Search** D13/133,
D13/146-147, 153-154, 184, 199; 439/248,
439/357, 680, 723

See application file for complete search history.

(56) **References Cited**

U.S. PATENT DOCUMENTS

| | | | | | |
|------------|---|---------|-----------------|-------|---------|
| D271,196 S | * | 11/1983 | Tetreault | | D13/133 |
| D302,421 S | * | 7/1989 | Ichitsubo | | D13/133 |
| D318,718 S | * | 7/1991 | Blatt | | D23/262 |
| D319,813 S | * | 9/1991 | Kozono | | D13/133 |
| D324,028 S | * | 2/1992 | Sueyoshi et al. | | D13/133 |

| | | | | | |
|-----------------|---|--------|------------------|-------|---------|
| D367,645 S | * | 3/1996 | Hashizawa et al. | | D13/146 |
| D474,447 S | * | 5/2003 | Kano | | D13/133 |
| D475,014 S | * | 5/2003 | Kano | | D13/133 |
| 2006/0110978 A1 | * | 5/2006 | Fan et al. | | 439/607 |

* cited by examiner

Primary Examiner—Stella Reid

Assistant Examiner—Daniel Bui

(74) *Attorney, Agent, or Firm*—Sughrue Mion, PLLC

(57) **CLAIM**

The ornamental design for a housing for electrical connector, as shown.

DESCRIPTION

FIG. 1 is a perspective view of the bottom, front and right side of a housing for electrical connector showing my new design;

FIG. 2 is a front elevational view thereof;

FIG. 3 is a rear elevational view thereof;

FIG. 4 is a top plan view thereof;

FIG. 5 is a bottom plan view thereof;

FIG. 6 is a left side elevational view thereof; and,

FIG. 7 is a right side elevational view thereof.

1 Claim, 2 Drawing Sheets

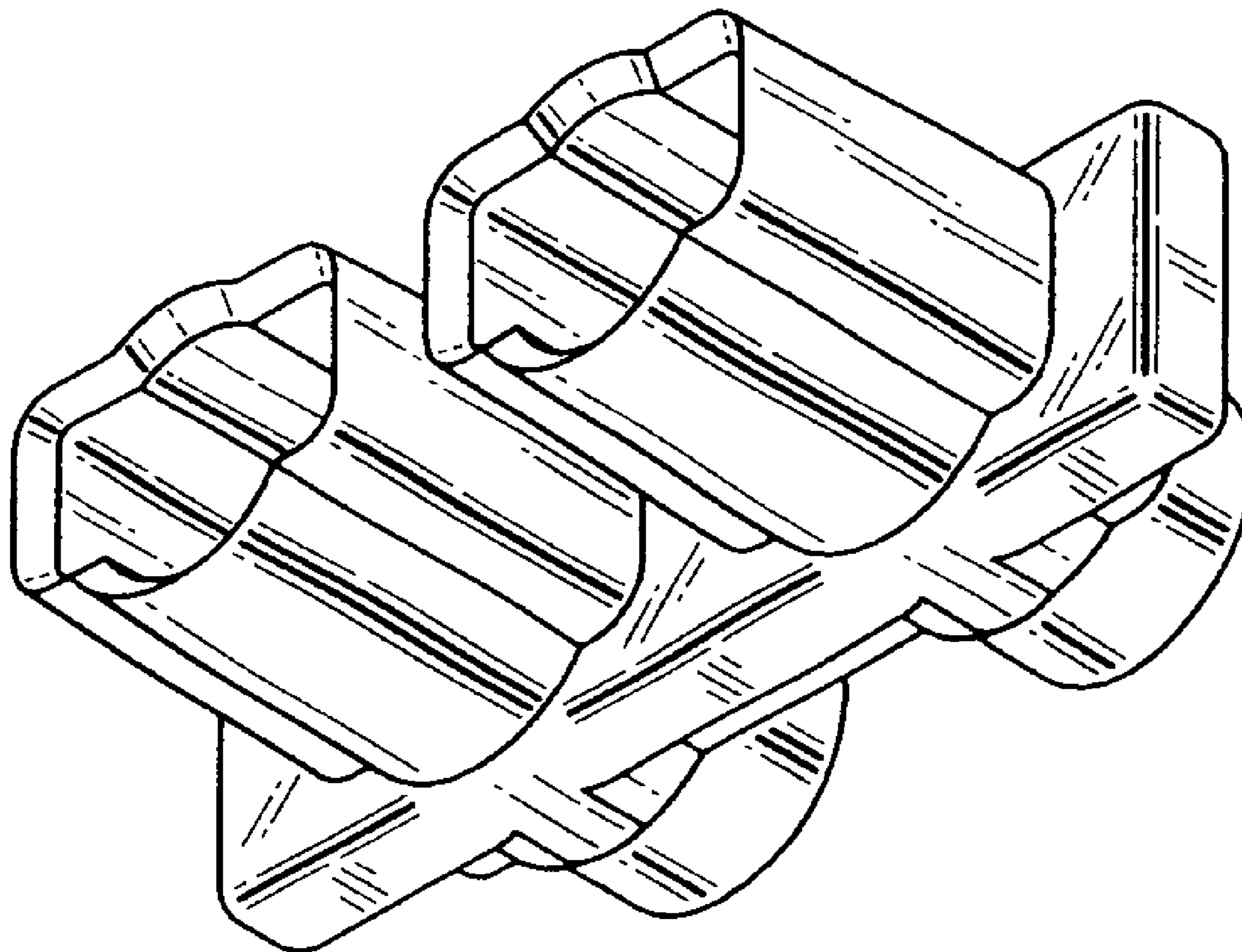


FIG. 1

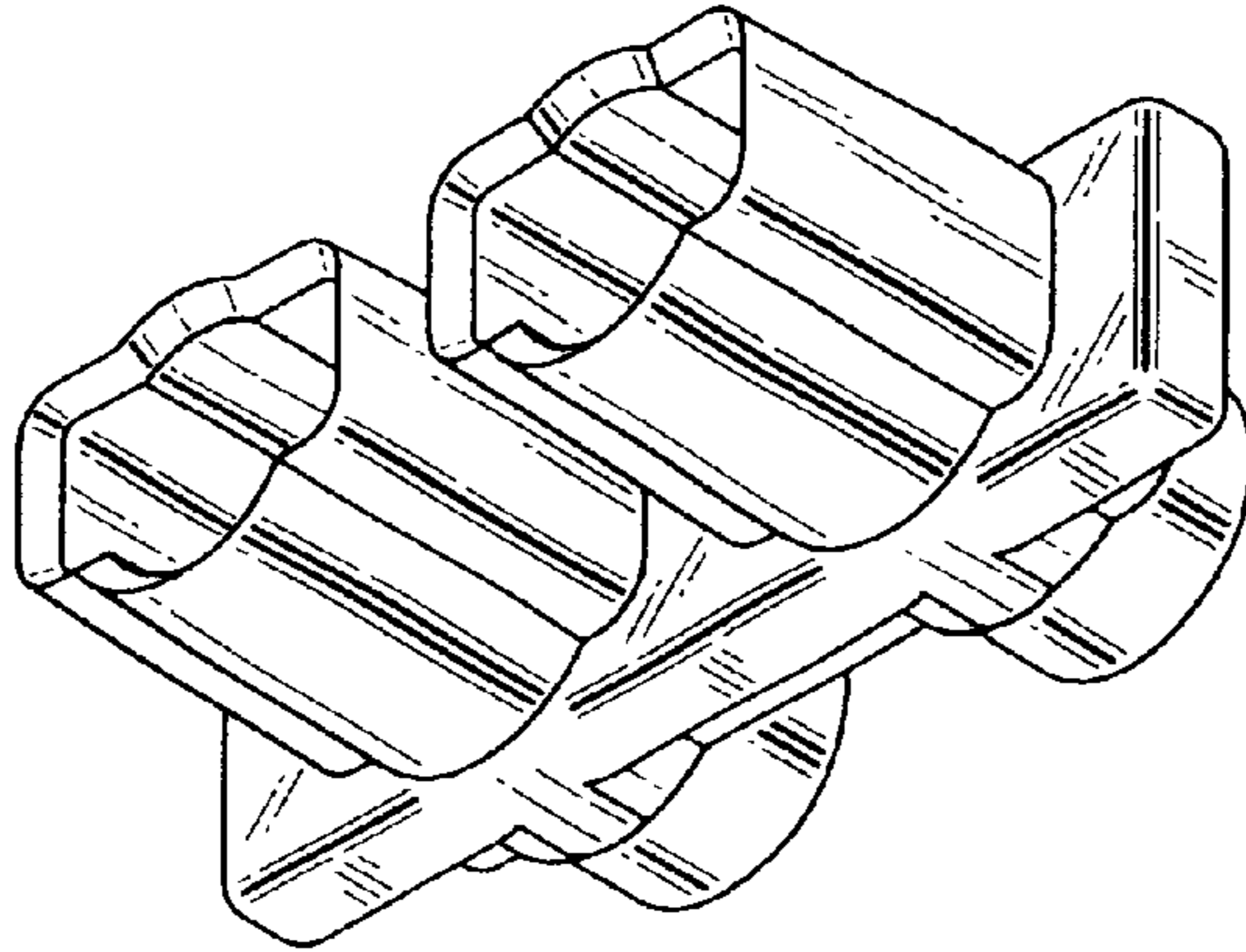


FIG. 2

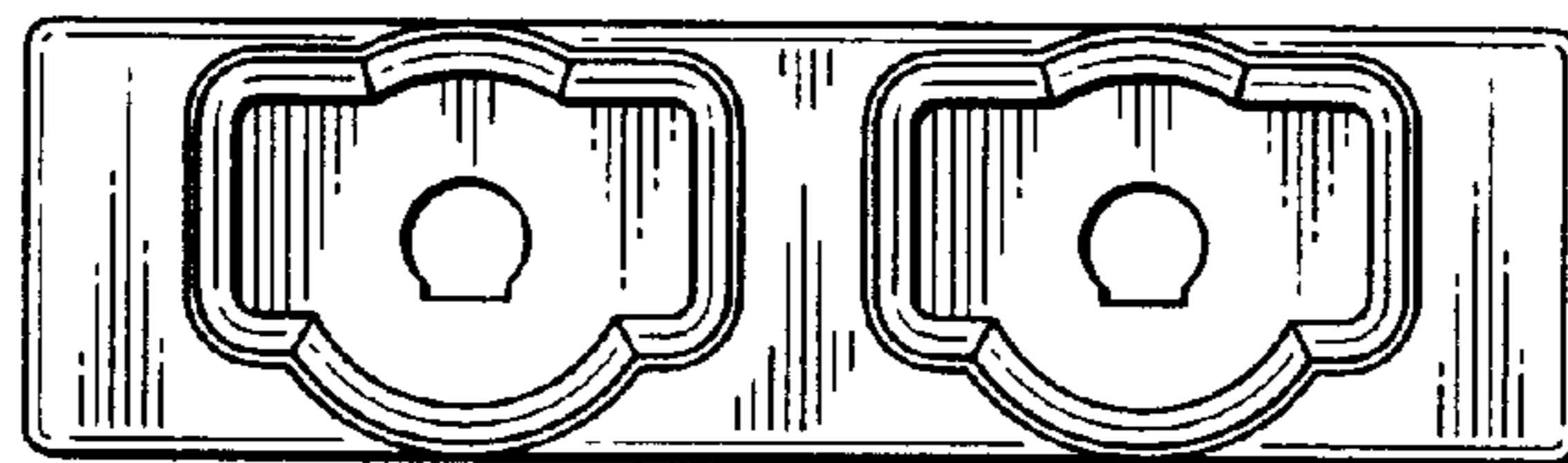


FIG. 3

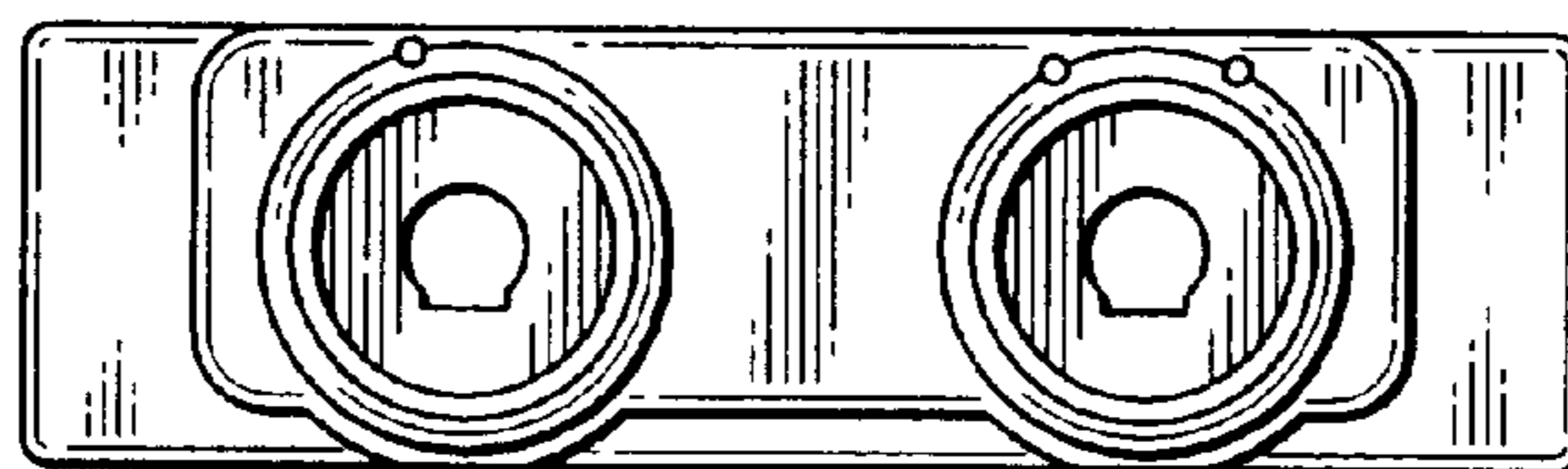


FIG.4

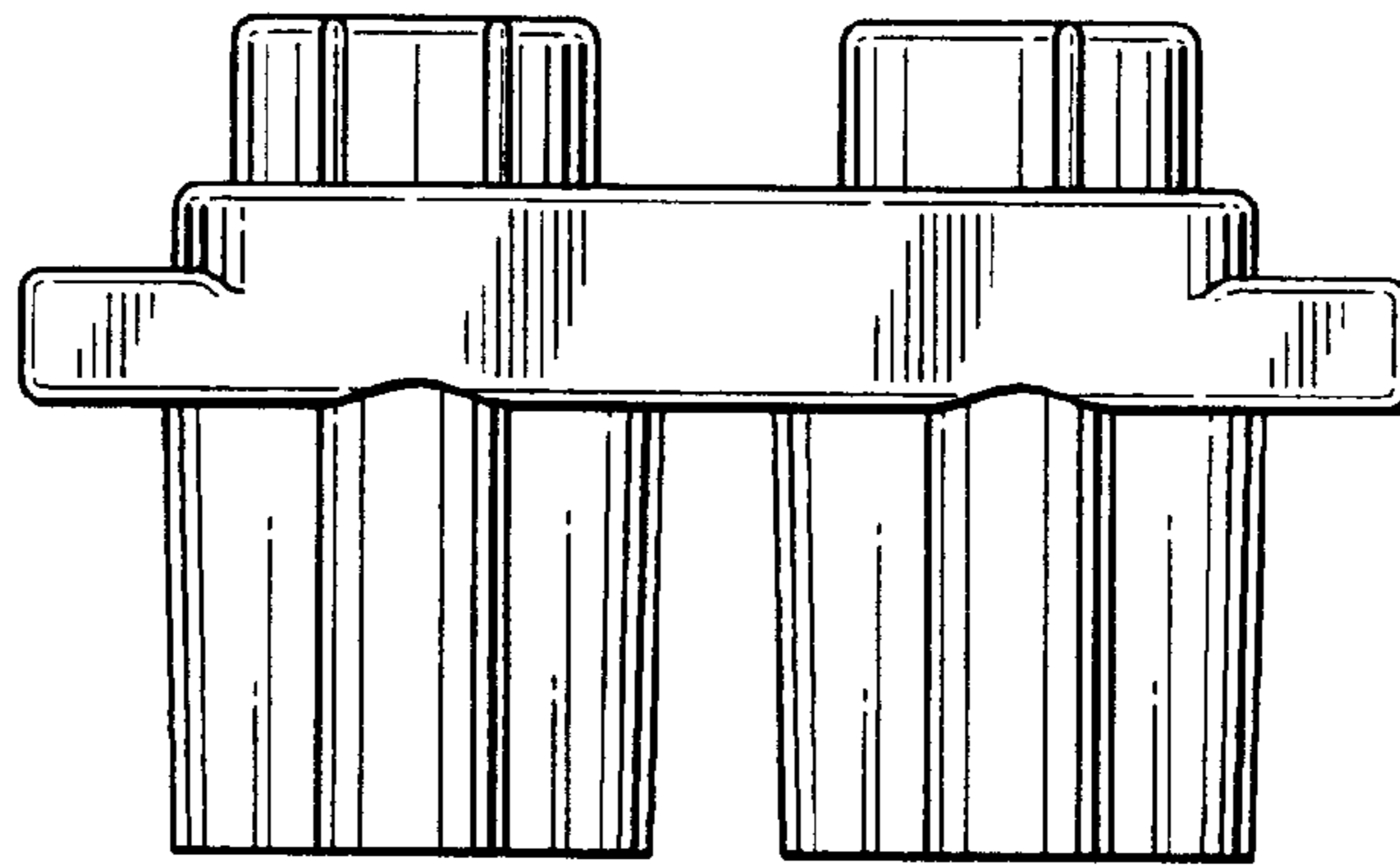


FIG.5

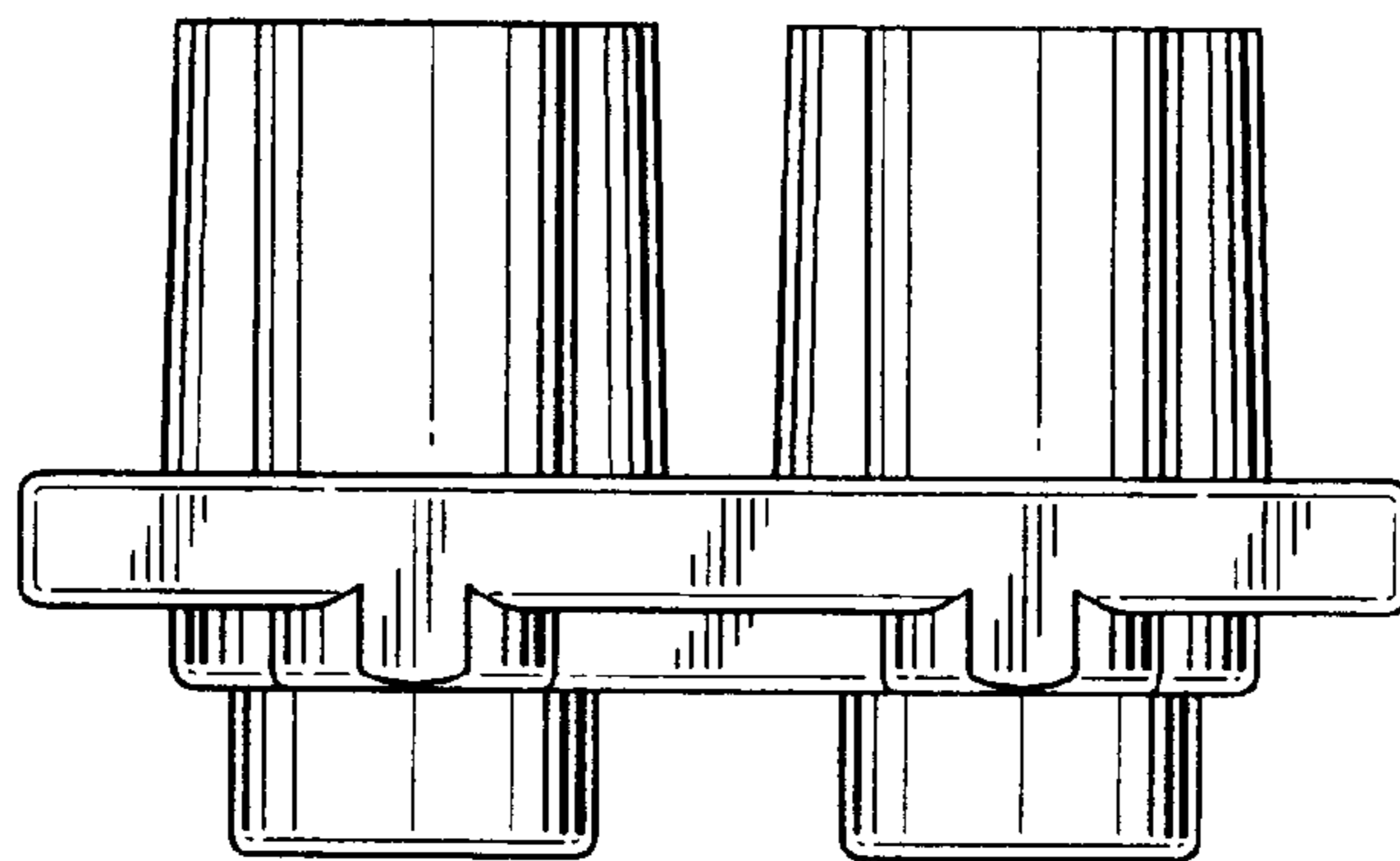


FIG.6

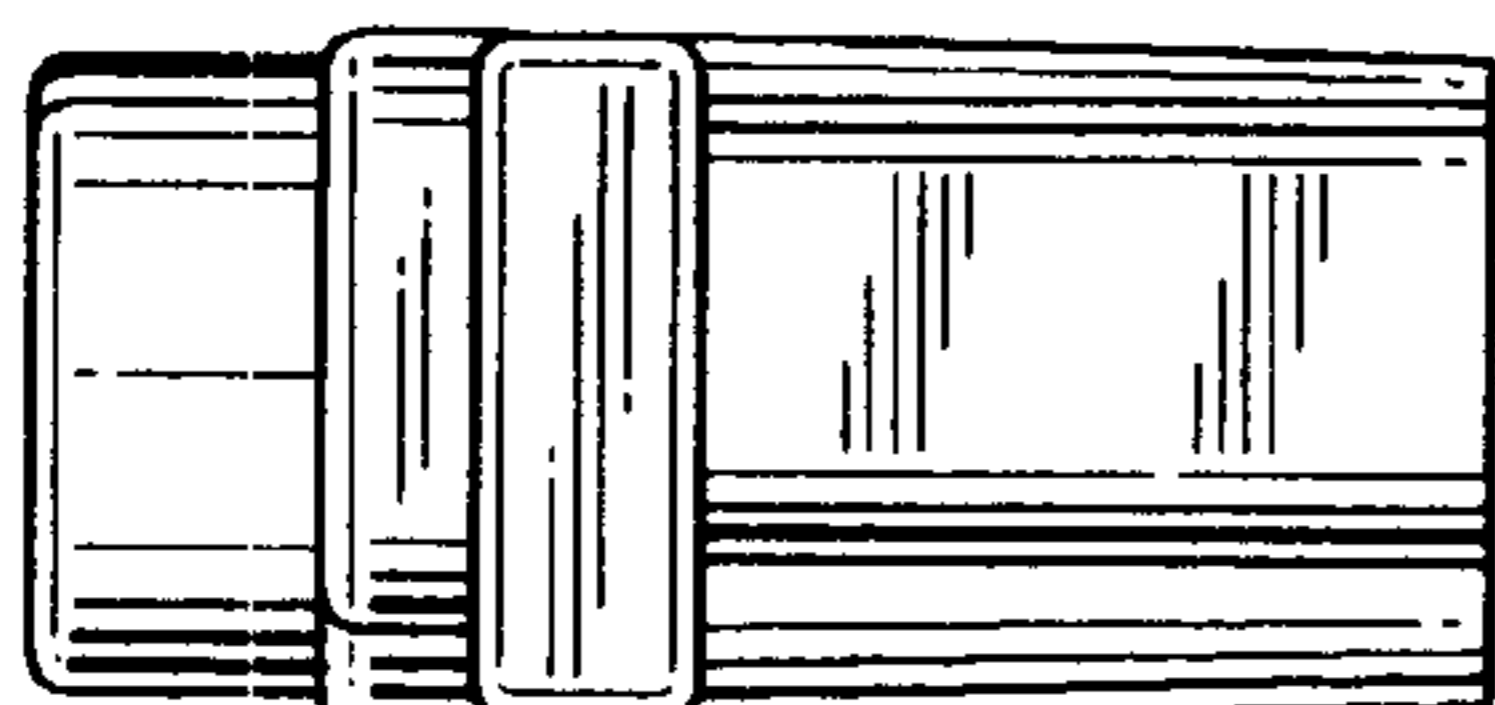


FIG.7

