

US00D531119S

(12) **United States Design Patent**
Nagai et al.

(10) **Patent No.:** **US D531,119 S**
(45) **Date of Patent:** **** Oct. 31, 2006**

(54) **VACUUM GENERATOR**

FOREIGN PATENT DOCUMENTS

(75) Inventors: **Shigekazu Nagai**, Tokyo-to (JP);
Yoshiharu Ito, Toride (JP); **Yosuke Shirai**, Toride (JP)

JP D 1099463 2/2001

(73) Assignee: **SMC Kabushiki Kaisha**, Tokyo (JP)

OTHER PUBLICATIONS

(**) Term: **14 Years**

U.S. Appl. No. 29/206,739, filed: Jun. 1, 2004; Inventor: S. Nagai, et al; Title: Vacuum Switch.
U.S. Appl. No. 29/206,740, filed: Jun. 1, 2004; Inventor: S. Nagai, et al; Title: Vacuum Equipment.

(21) Appl. No.: **29/206,741**

* cited by examiner

(22) Filed: **Jun. 1, 2004**

Primary Examiner—Stella Reid
Assistant Examiner—Derrick Holland

(30) **Foreign Application Priority Data**

(74) *Attorney, Agent, or Firm*—Frishauf, Holtz, Goodman & Chick, P.C.

Dec. 1, 2003 (JP) 2003-035698

(57) **CLAIM**

(51) **LOC (8) Cl.** **13-01**

The ornamental design for a vacuum generator, as shown.

(52) **U.S. Cl.** **D13/112; D13/122**

DESCRIPTION

(58) **Field of Classification Search** D13/112,
D13/114, 122, 184, 199; 248/205.8, 205.9,
248/206.3; 417/174, 186, 187, 190

FIG. 1 is a top, front and left-side perspective view of a vacuum generator showing our new design;
FIG. 2 is a front view thereof;
FIG. 3 is a rear view thereof;
FIG. 4 is a top plan view thereof;
FIG. 5 is a bottom plan view thereof;
FIG. 6 is a right side view thereof; and,
FIG. 7 is a left side view thereof.

See application file for complete search history.

The claim has been shown broken away for ease of illustration to show indeterminate length.

(56) **References Cited**

U.S. PATENT DOCUMENTS

D194,490 S * 1/1963 Winslow et al. D15/1
5,683,227 A * 11/1997 Nagai et al. 417/174
6,155,796 A * 12/2000 Schmalz et al. 417/187
6,416,295 B1 * 7/2002 Nagai et al. 417/190
2003/0072653 A1 * 4/2003 Cho 417/182

1 Claim, 5 Drawing Sheets

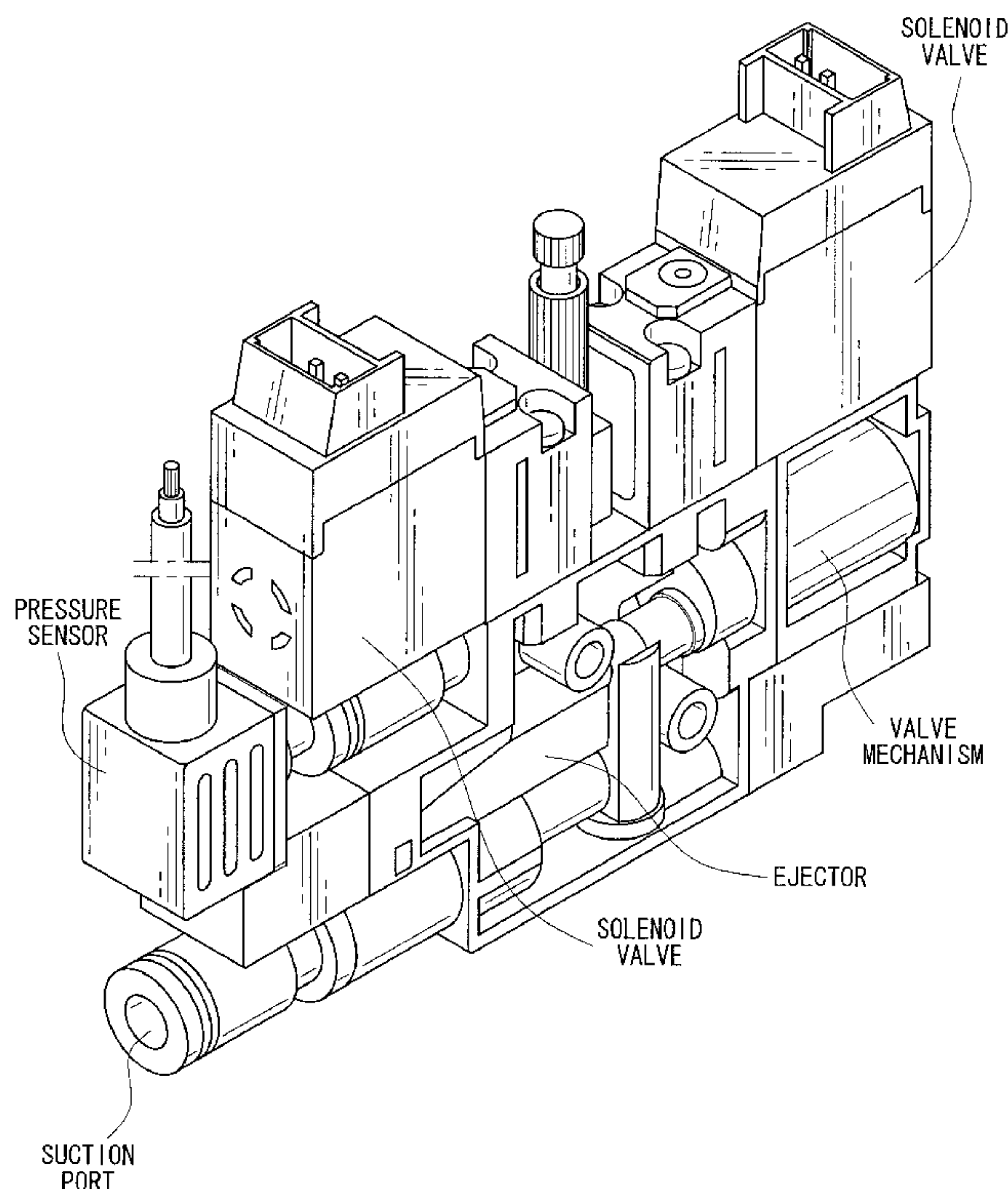


FIG. 1

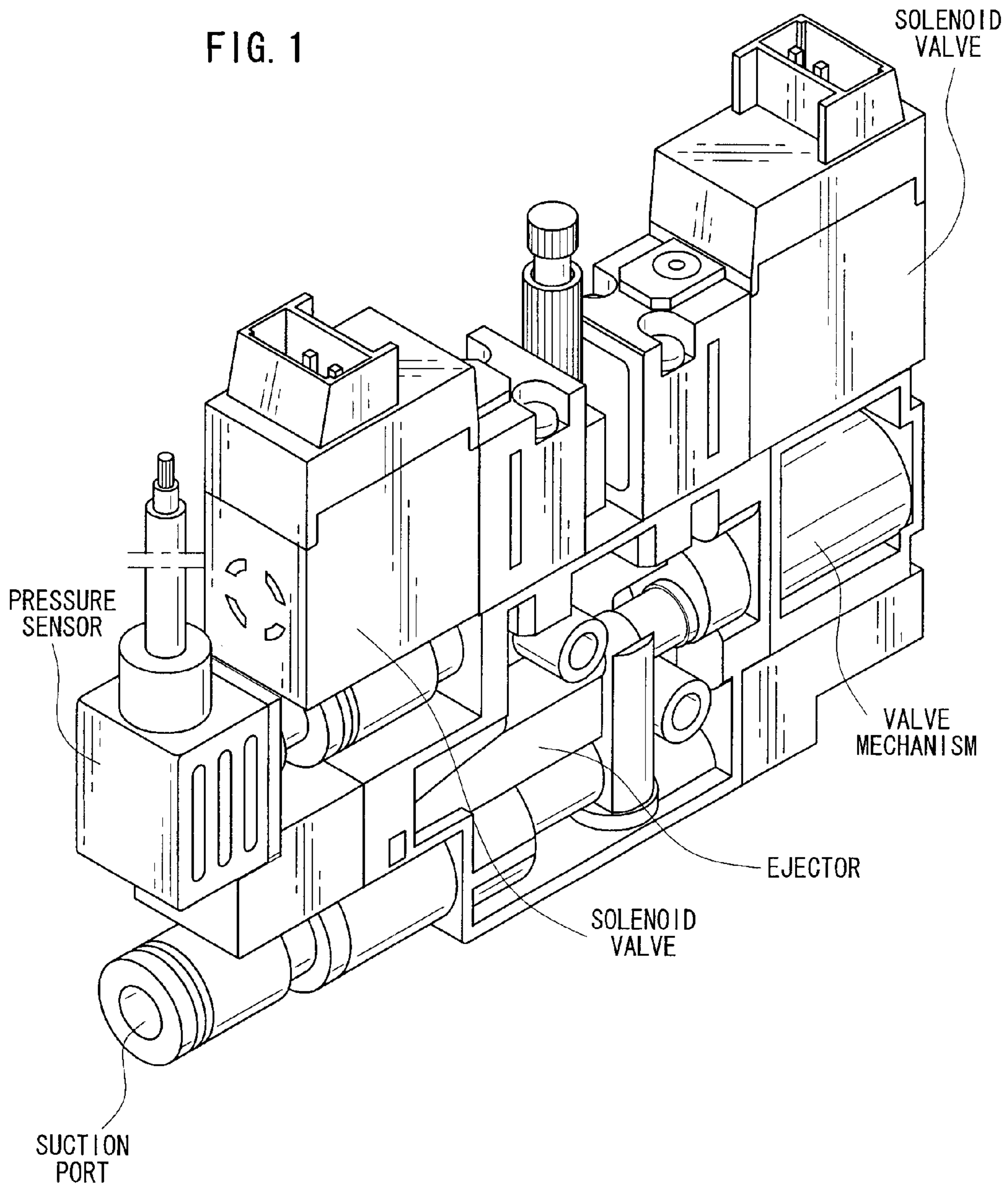


FIG. 2

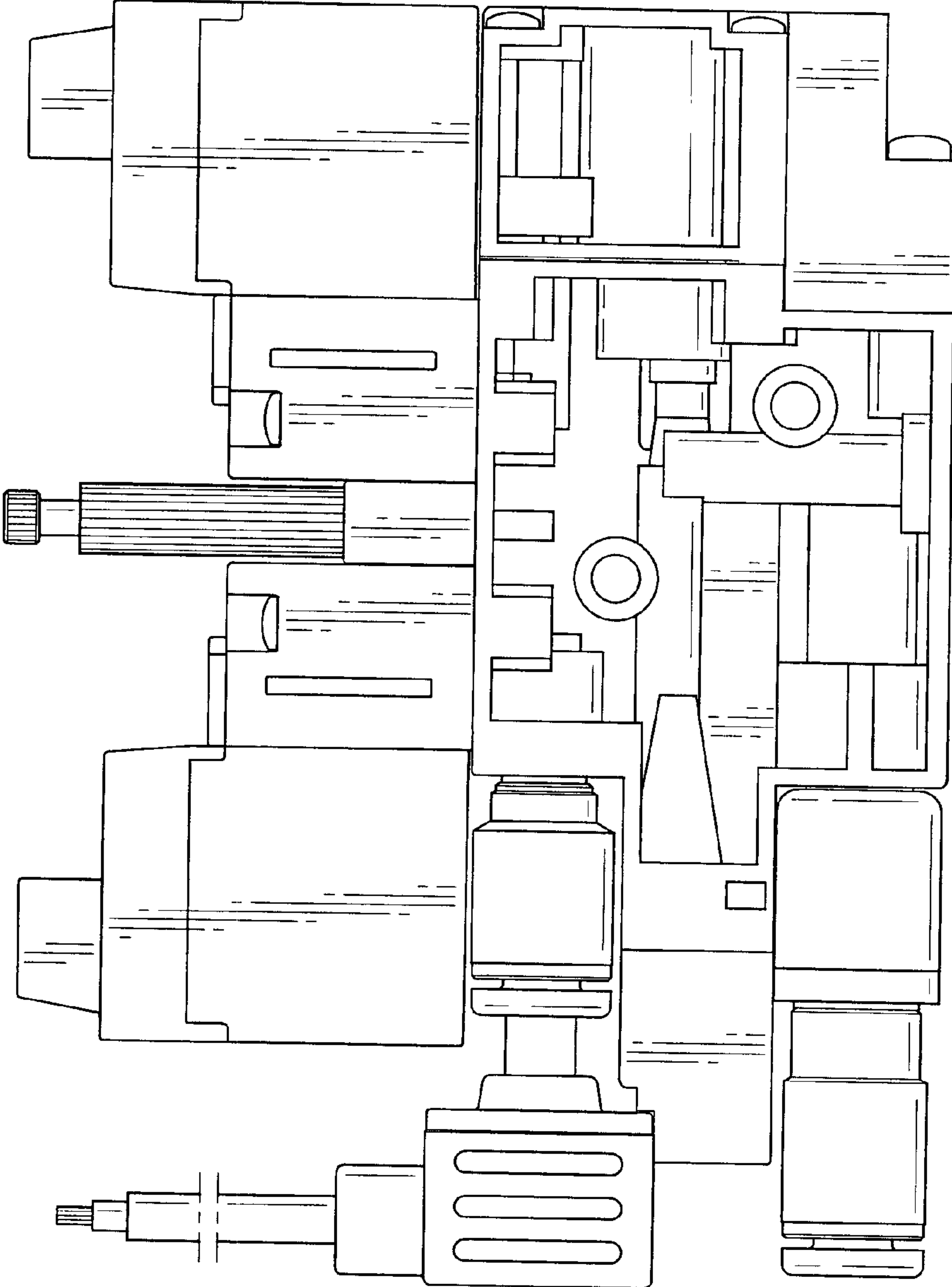


FIG. 3

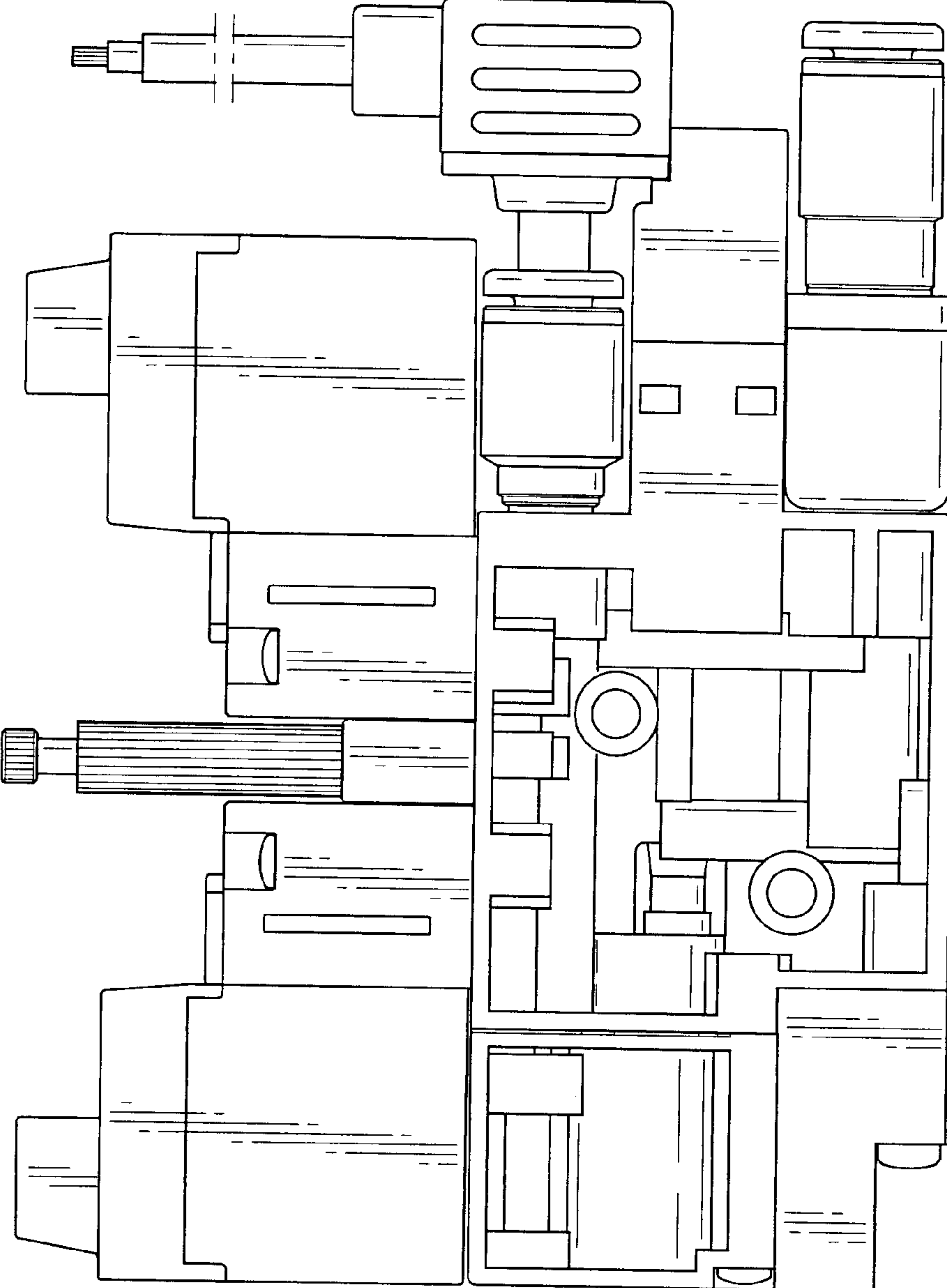


FIG. 4

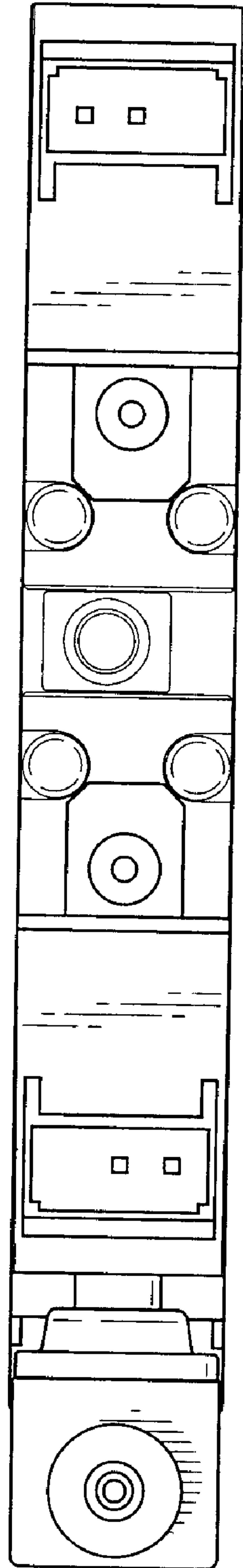


FIG. 5

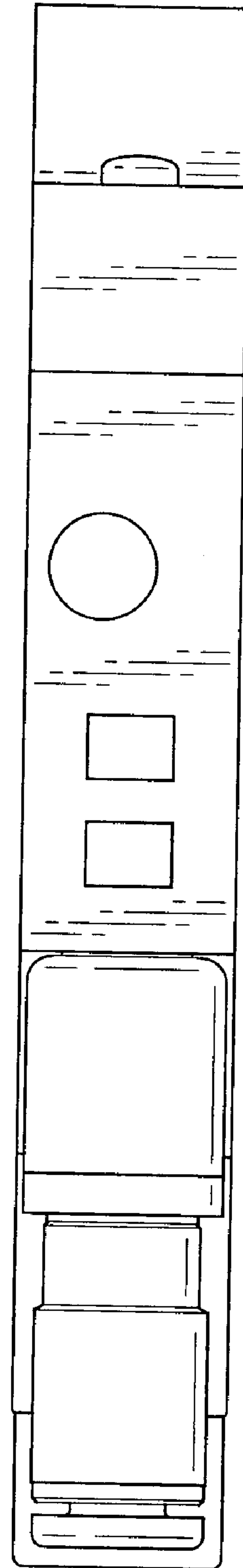


FIG. 6

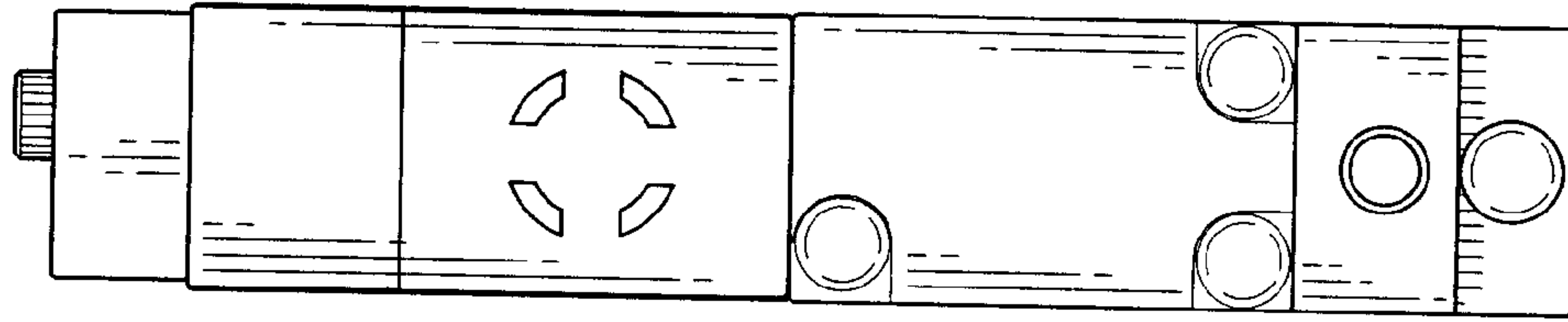


FIG. 7

