



US00D531117S

(12) **United States Design Patent**  
**Schrick et al.**

(10) **Patent No.:** **US D531,117 S**

(45) **Date of Patent:** **\*\* Oct. 31, 2006**

(54) **BATTERY MODULE**

(75) Inventors: **Steven M. Schrick**, Knoxville, TN  
(US); **Albert L. Lee, IV**, Seymour, TN  
(US); **William S. Groh**, Knoxville, TN  
(US)

(73) Assignee: **Radio Systems Corporation**,  
Knoxville, TN (US)

(\*\*) Term: **14 Years**

(21) Appl. No.: **29/243,180**

(22) Filed: **Nov. 21, 2005**

(51) **LOC (8) Cl.** ..... **13-02**

(52) **U.S. Cl.** ..... **D13/103**

(58) **Field of Classification Search** ..... D13/102-106,  
D13/110, 118-119, 184; 429/96-100, 163,  
429/176

See application file for complete search history.

(56) **References Cited**

**U.S. PATENT DOCUMENTS**

D118,597 S	*	1/1940	Knauss	.....	D13/103
D263,581 S	*	3/1982	Kaye	.....	D13/103
D353,130 S	*	12/1994	Aldrich et al.	.....	D13/102
5,445,900 A		8/1995	Miller, Jr. et al.		
D425,477 S	*	5/2000	Buckle	.....	D13/103
D425,855 S	*	5/2000	Buckle	.....	D13/103
D426,189 S	*	6/2000	Buckle	.....	D13/103
D426,516 S	*	6/2000	Buckle	.....	D13/103

D426,517 S	*	6/2000	Buckle	.....	D13/103
D426,806 S	*	6/2000	Buckle	.....	D13/103
D439,561 S		3/2001	Lee, IV et al.		
6,245,457 B1	*	6/2001	Romero	.....	429/161
D446,767 S	*	8/2001	Black, Jr.	.....	D13/103
6,548,201 B1	*	4/2003	Gibbons et al.	.....	429/27
6,921,089 B1		7/2005	Groh et al.		
D515,027 S		2/2006	Groh et al.		
D519,918 S	*	5/2006	Wilson et al.	.....	D13/103
2005/0241926 A1		11/2005	Groh et al.		

\* cited by examiner

*Primary Examiner*—Alan P. Douglas

*Assistant Examiner*—Rosemary K. Tarcza

(74) *Attorney, Agent, or Firm*—Pitts & Brittan, PC

(57) **CLAIM**

The ornamental design for a battery module, as shown and described.

**DESCRIPTION**

FIG. 1 is a perspective view of a battery module of the present invention;

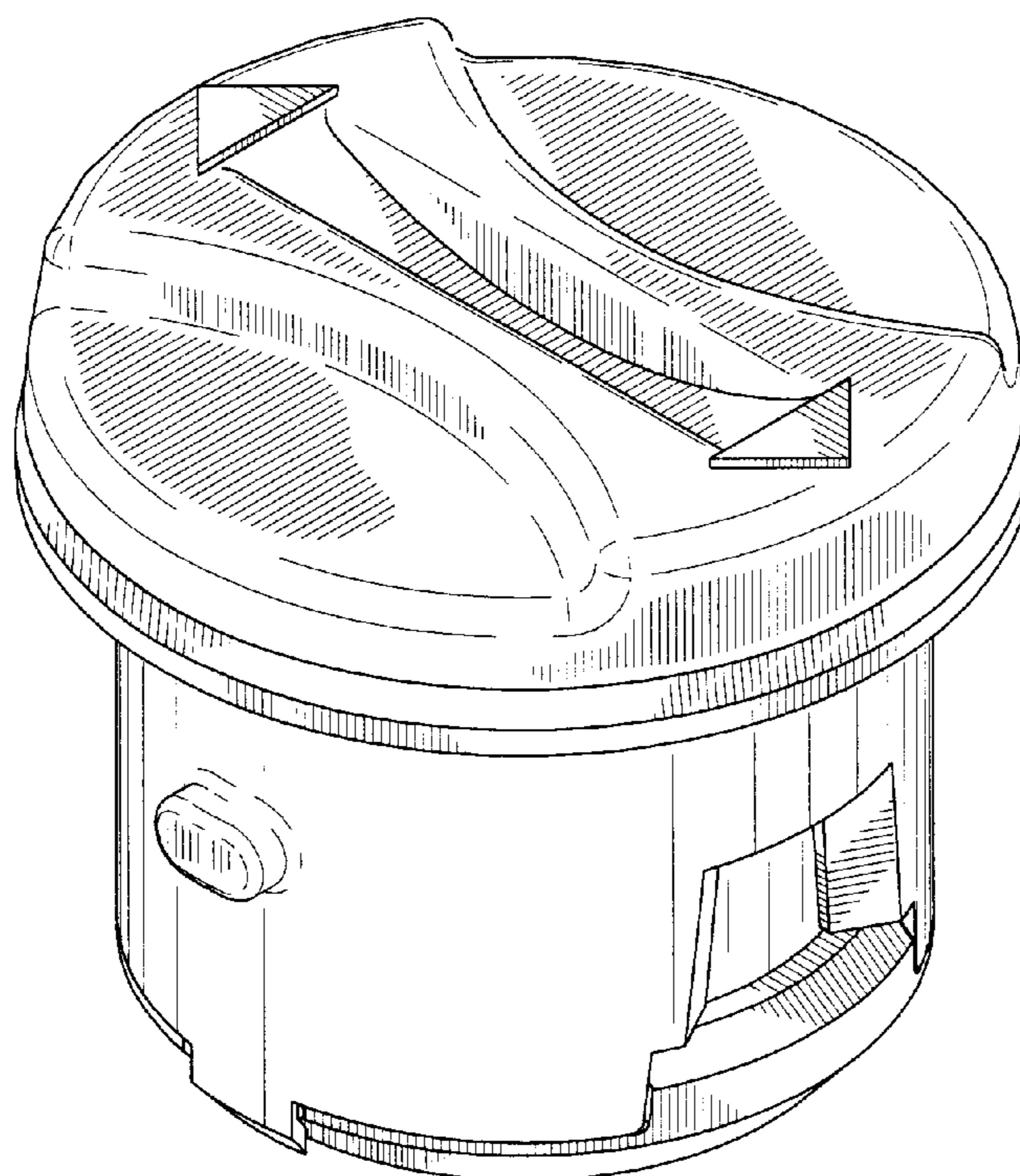
FIG. 2 is a front elevation view of the battery module shown in FIG. 1, the rear view being identical thereto;

FIG. 3 is a left side elevation view of the battery module shown in FIG. 1, the right side elevation view being identical thereto;

FIG. 4 is a top plan view thereof; and,

FIG. 5 is a bottom plan view thereof.

**1 Claim, 3 Drawing Sheets**



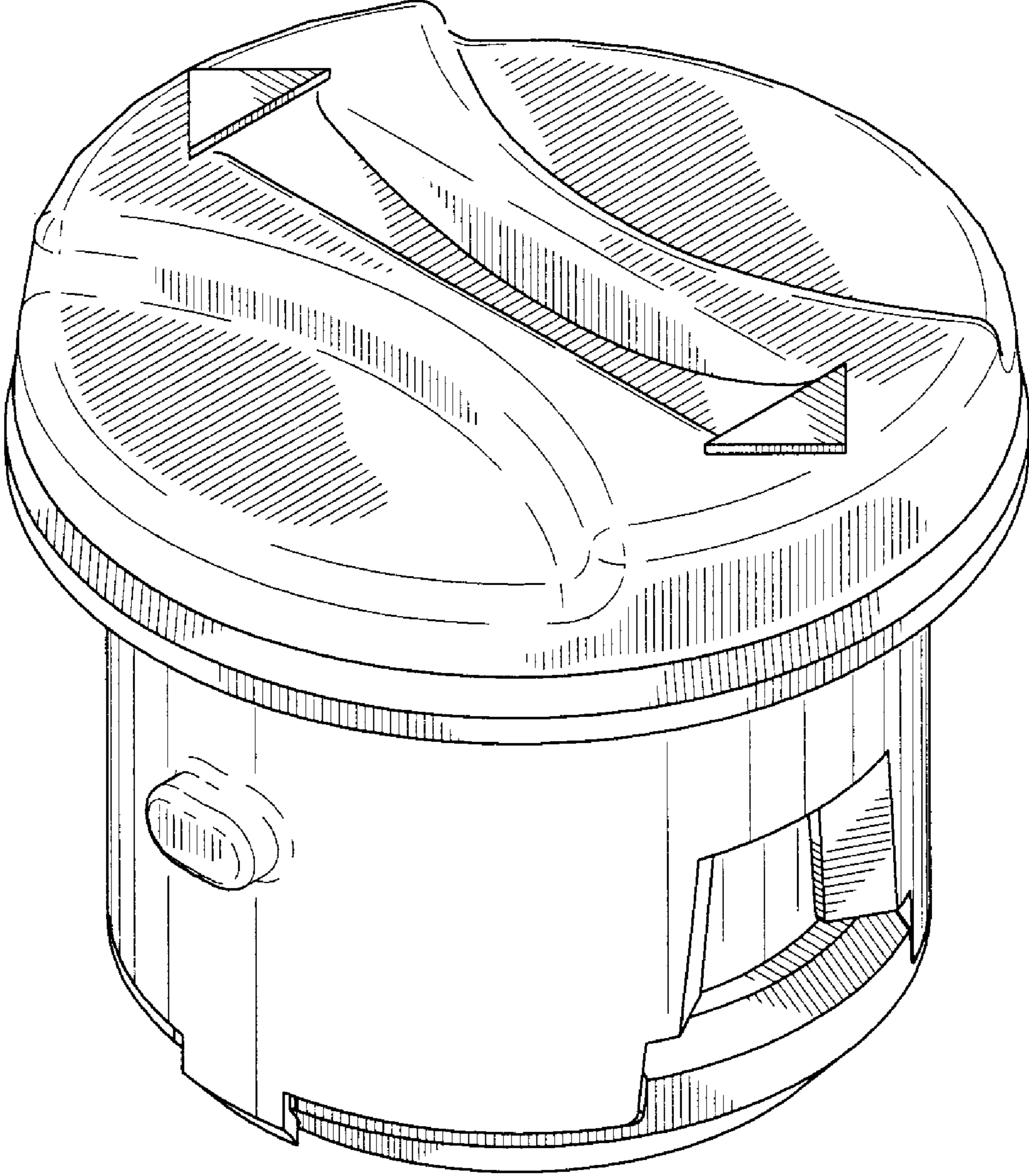


Fig. 1

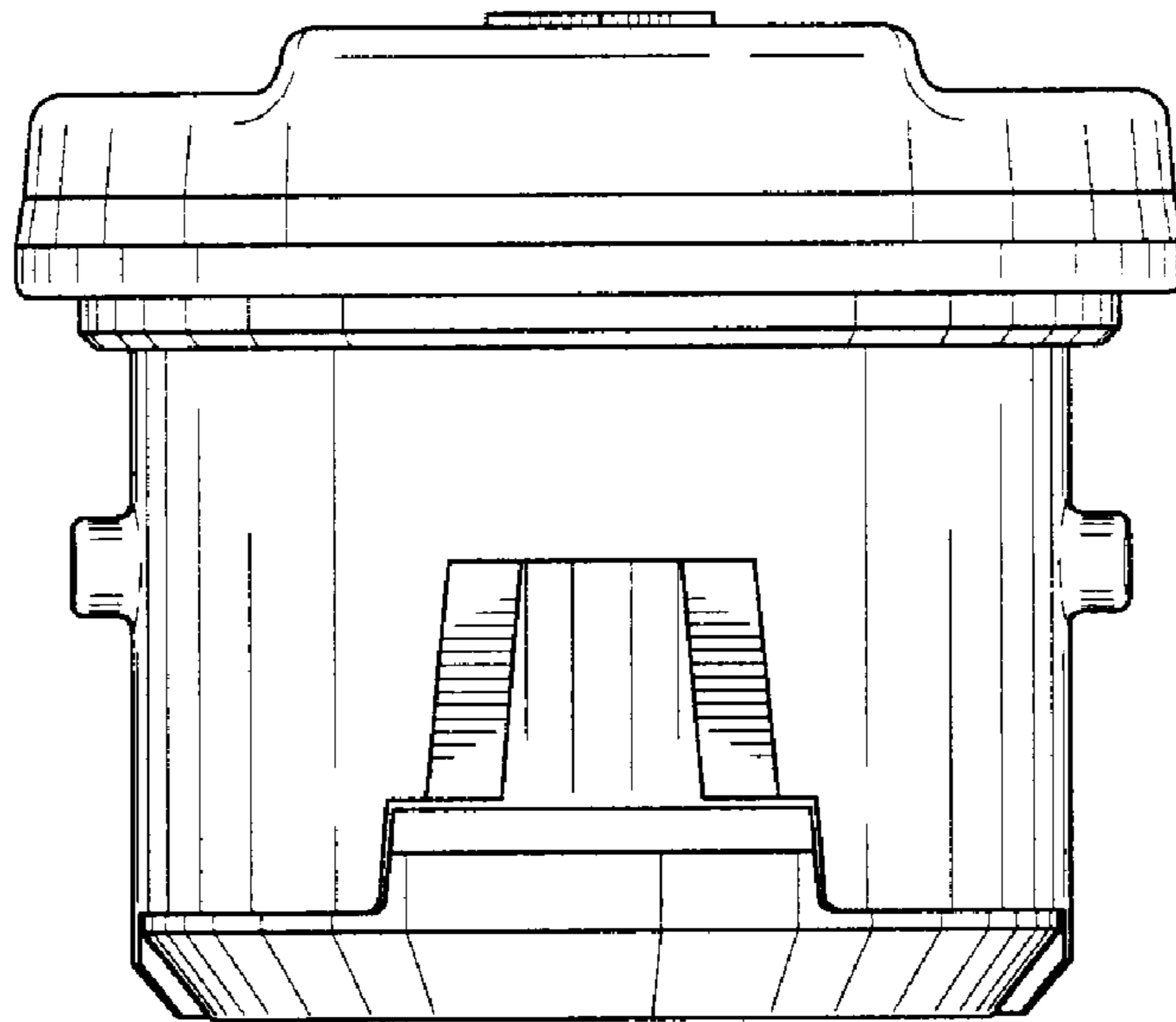


Fig. 2

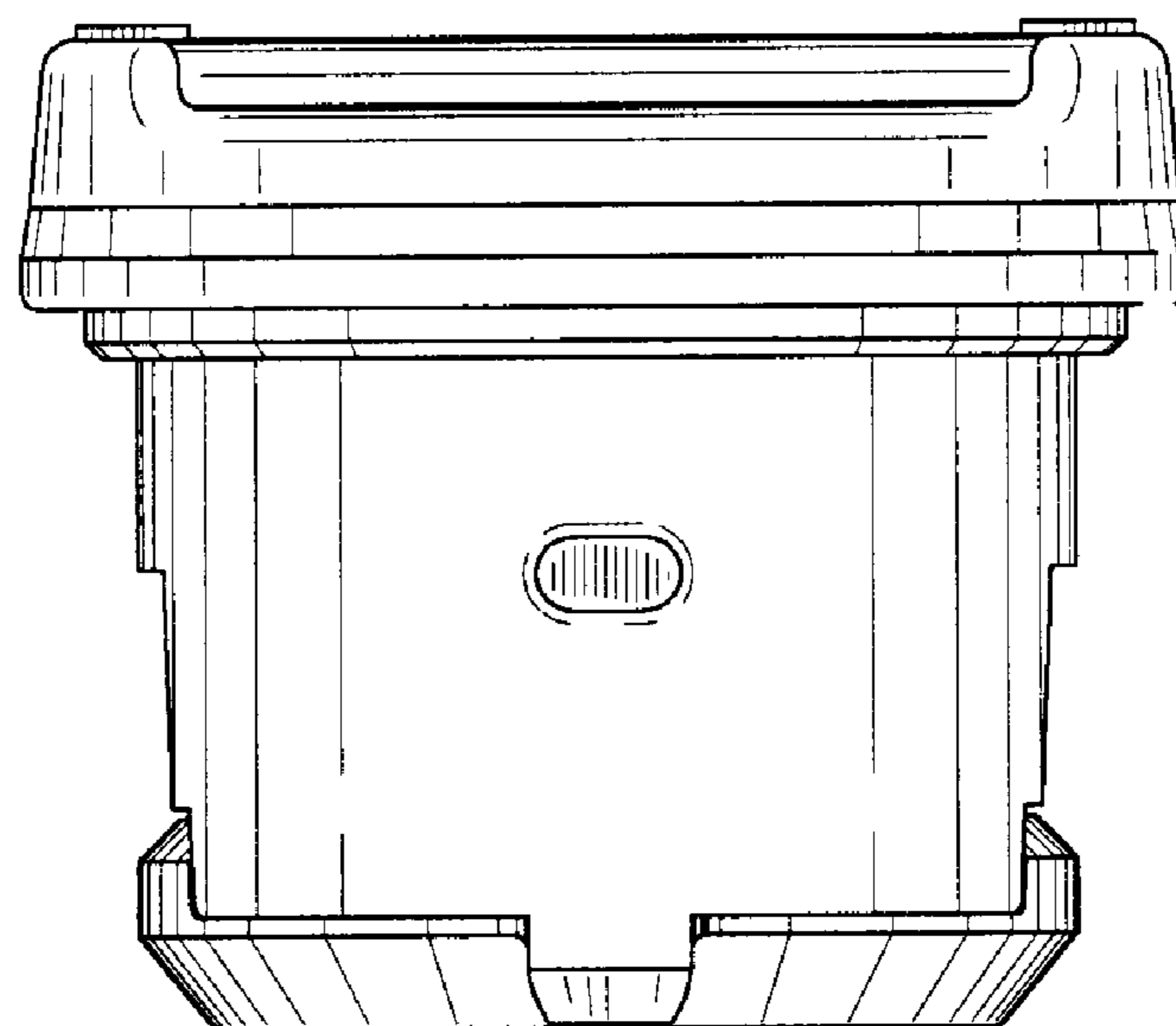


Fig. 3

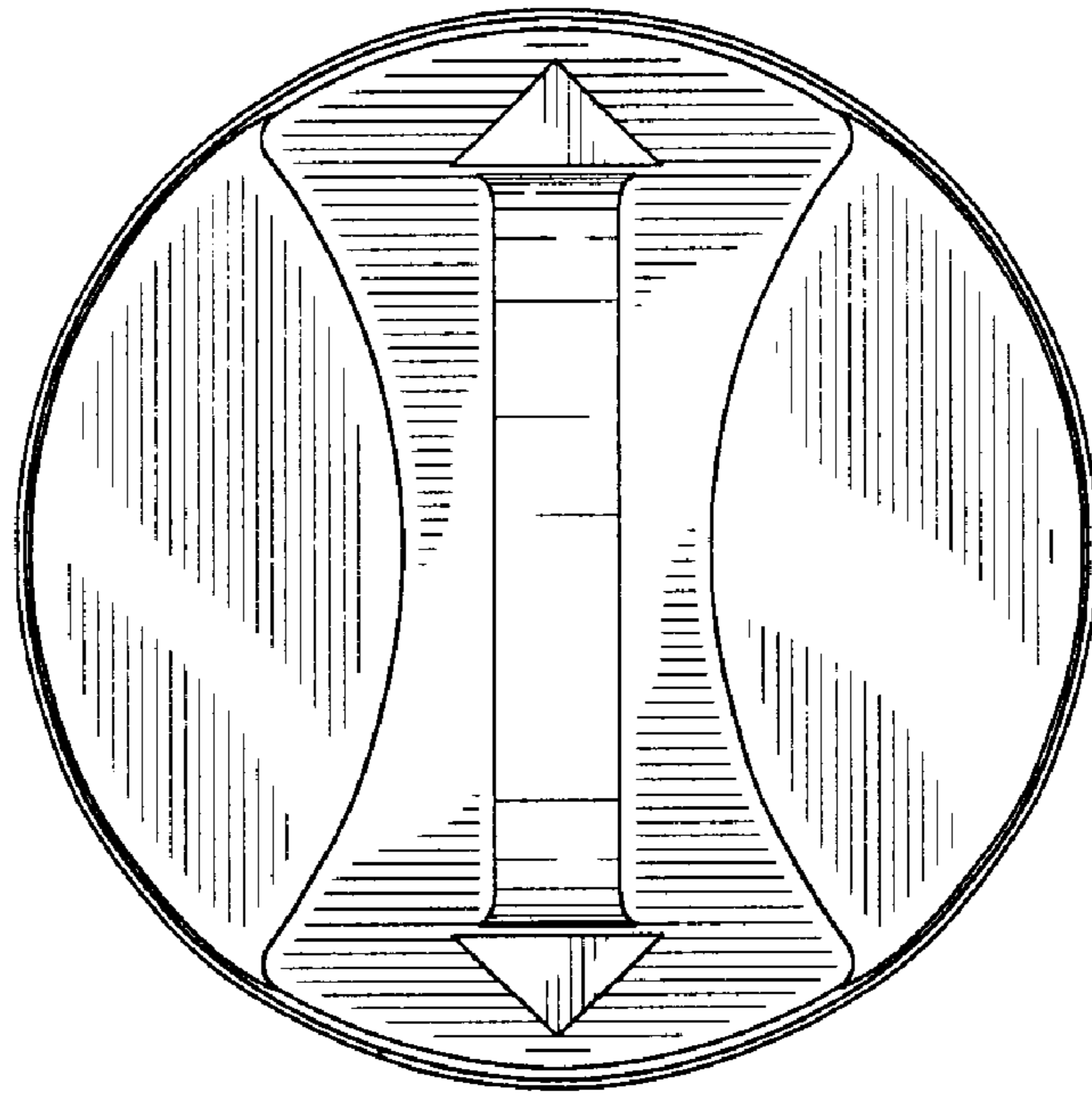


Fig. 4

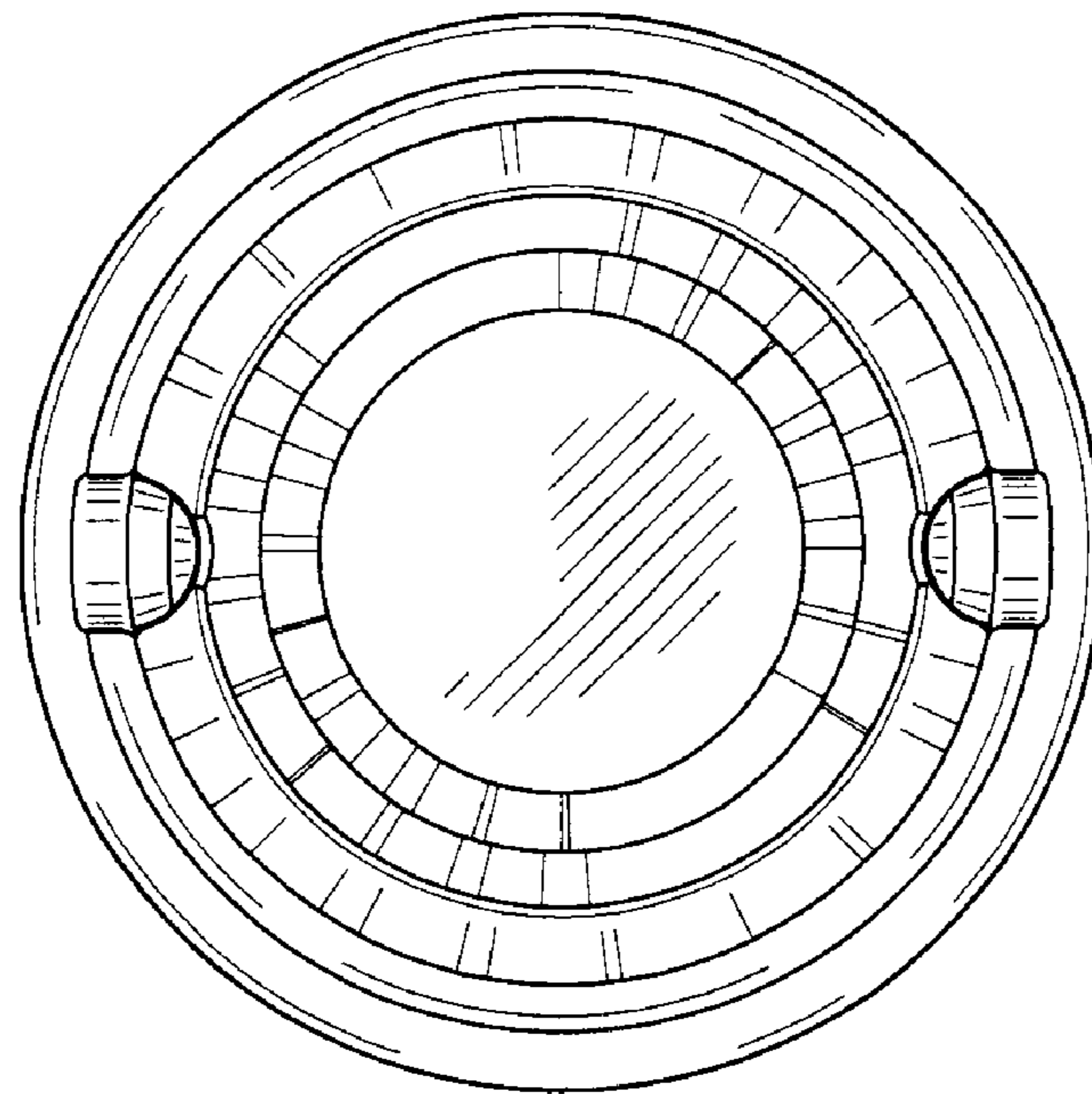


Fig. 5