

US00D531113S

(12) **United States Design Patent**
Dixon et al.

(10) **Patent No.: US D531,113 S**

(45) **Date of Patent: ** Oct. 31, 2006**

(54) **TIRE TREAD**

(75) Inventors: **Max Harold Dixon**, Kent, OH (US);
William Thomas Adams, North
Canton, OH (US); **Karl Eric**
Sundkvist, Akron, OH (US); **Joseph**
Henry Laco, Akron, OH (US)

(73) Assignee: **The Goodyear Tire & Rubber**
Company, Akron, OH (US)

(**) Term: **14 Years**

(21) Appl. No.: **29/235,545**

(22) Filed: **Aug. 3, 2005**

(51) **LOC (8) Cl.** **12-15**

(52) **U.S. Cl.** **D12/587; D12/588; D12/900**

(58) **Field of Classification Search** D12/534,
D12/537, 551, 552, 553, 554, 555, 556, 586,
D12/587, 588, 589, 590, 591, 900; 152/209.1,
152/209.11, 209.13, 209.28

See application file for complete search history.

(56) **References Cited**

U.S. PATENT DOCUMENTS

D301,855 S	*	6/1989	Ono	D12/590
D365,068 S	*	12/1995	Kotanides et al.	D12/589
D397,975 S	*	9/1998	Himuro	D12/588
D400,140 S	*	10/1998	Graas	D12/552
D409,958 S	*	5/1999	Gerresheim et al.	D12/591
D445,377 S	*	7/2001	Fantanzo et al.	D12/589

D483,007 S	*	12/2003	Brayer et al.	D12/588
D500,984 S		1/2005	Allison et al.	D12/588
D515,498 S	*	2/2006	Dumigan	D12/588

OTHER PUBLICATIONS

Federal Formoza FD1 Tire, 2004 Tread Design Guide, 2004,
p. 23. 4/4.*

* cited by examiner

Primary Examiner—Robert M. Spear

(74) *Attorney, Agent, or Firm*—Richard B. O’Planick

(57) **CLAIM**

The ornamental design for a tire tread, as shown and
described.

DESCRIPTION

FIG. 1 is a perspective view of a tire tread showing our new
design, it being understood that the pattern repeats uni-
formly throughout the circumference of the tread;

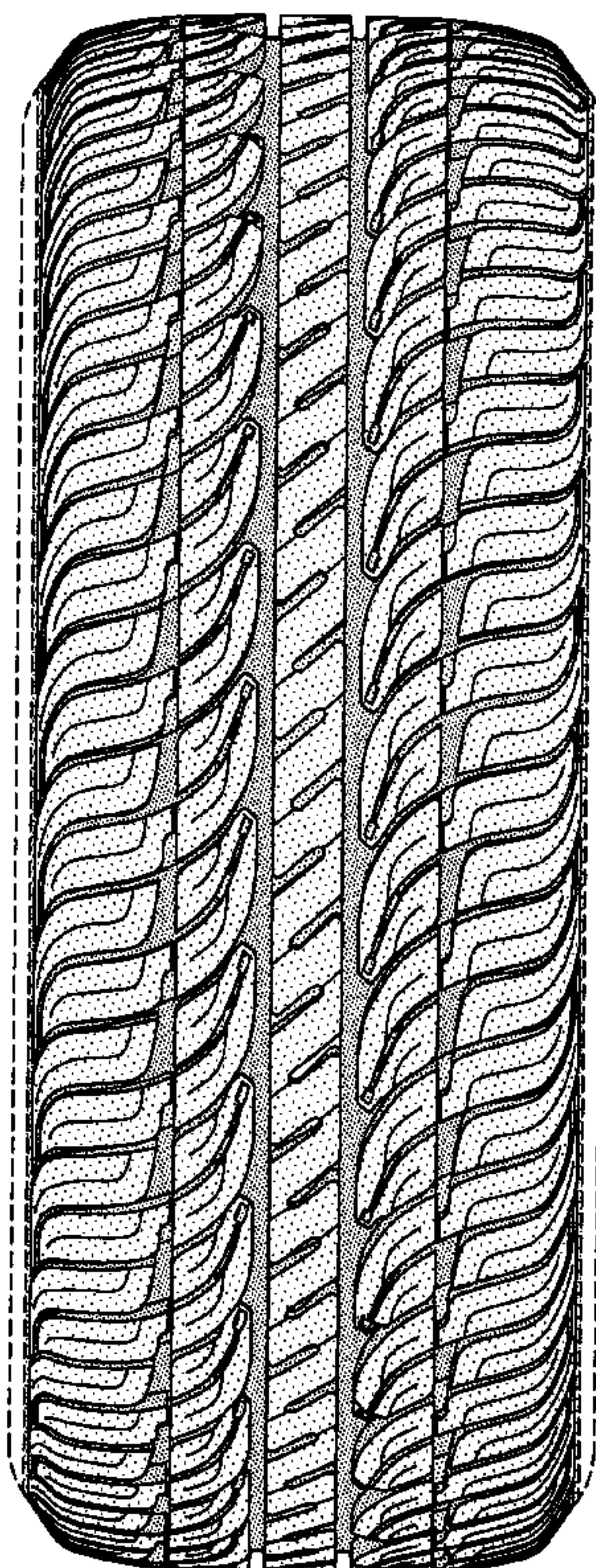
FIG. 2 is a front elevational view thereof;

FIG. 3 is a right side elevational view thereof; the opposite
side elevational view being identical thereof; and,

FIG. 4 is an enlarged fragmentary front elevational view
thereof.

In the drawings, the broken lines defining the sidewall, inner
bead and the peripheral boundary between the tire tread and
the sidewall are for illustrative purposes only and form no
part of the claimed design.

1 Claim, 4 Drawing Sheets



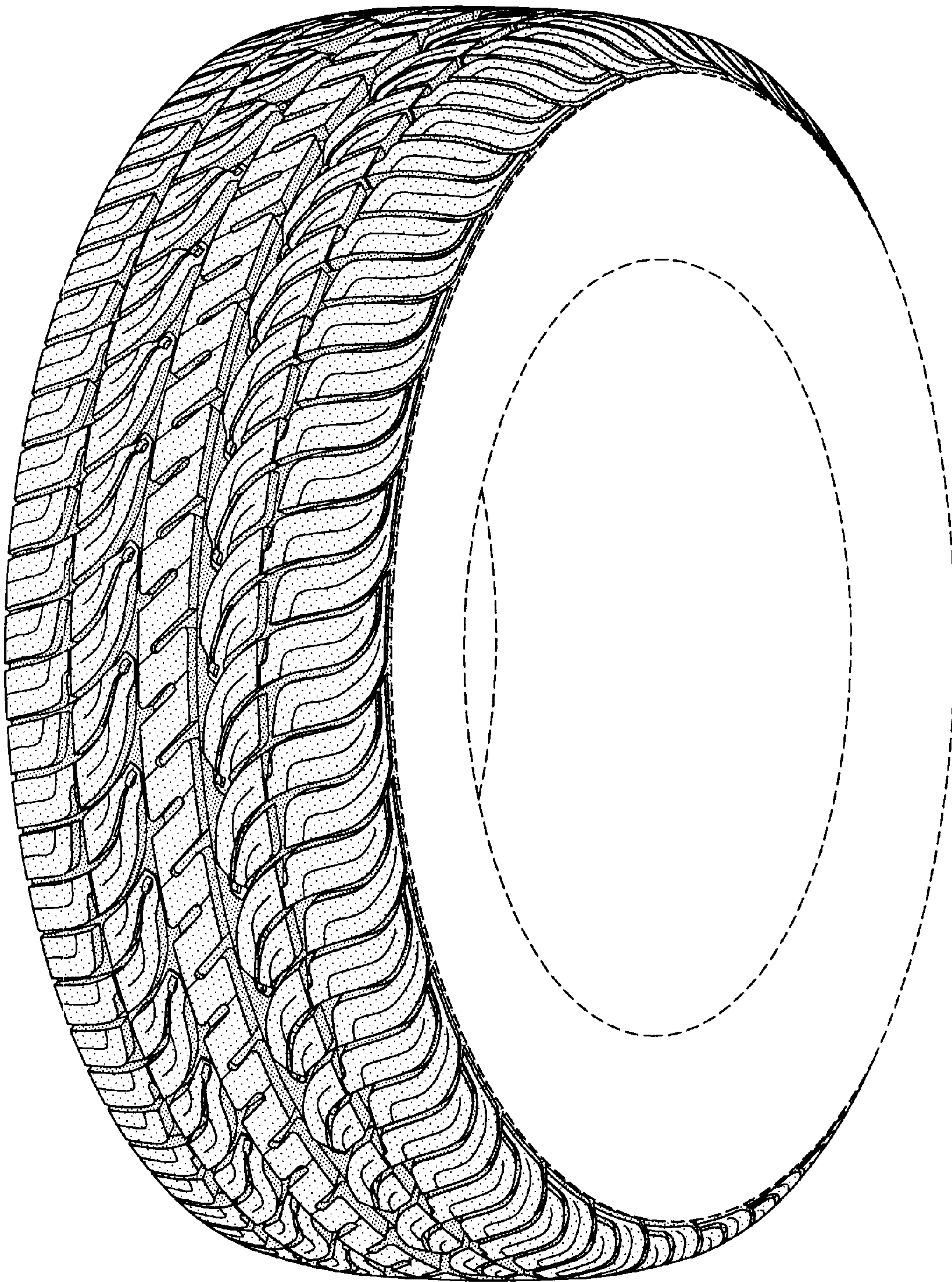


FIG-1

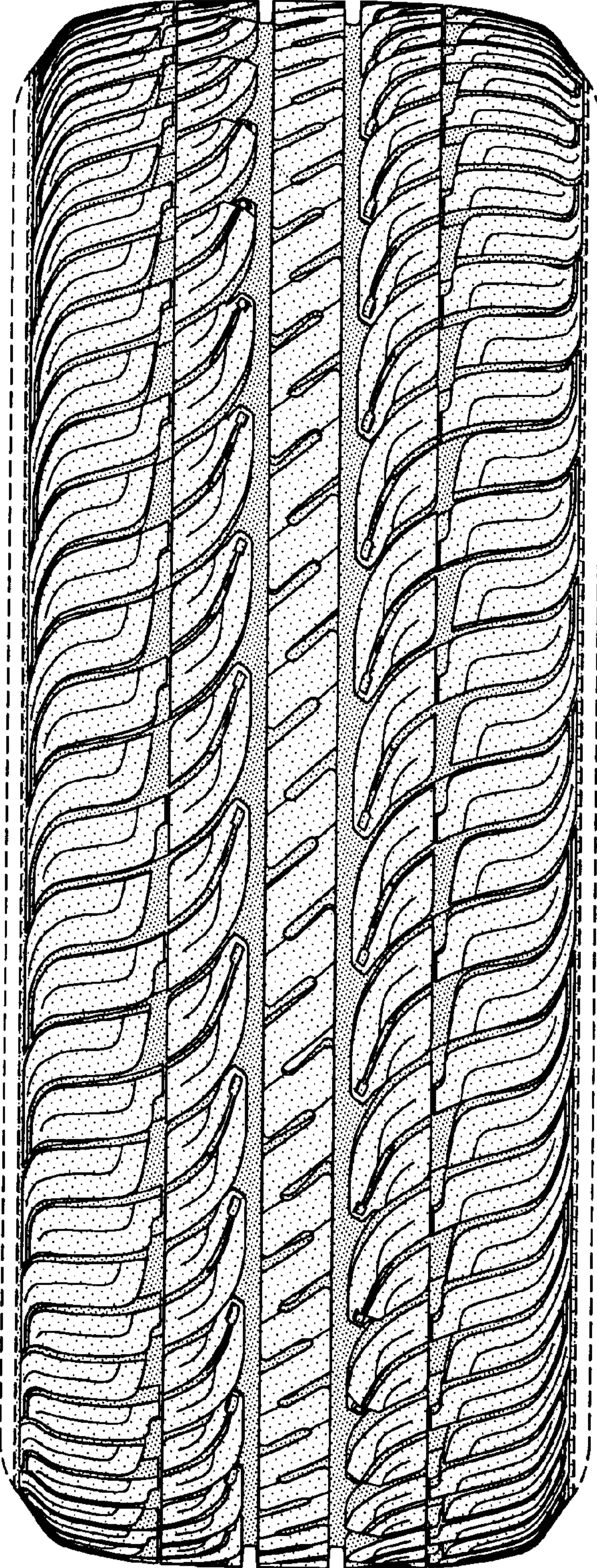


FIG-2

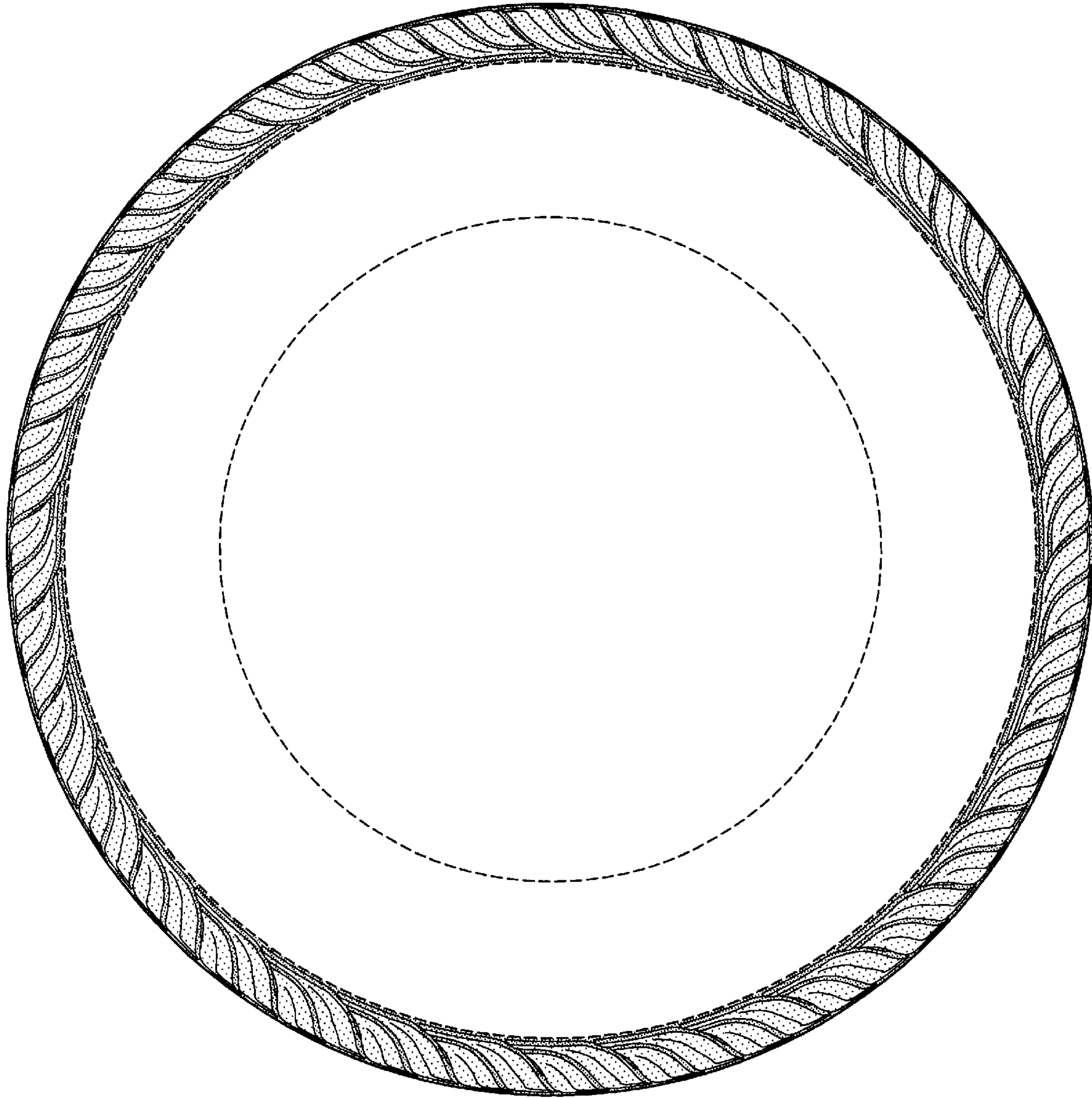


FIG-3

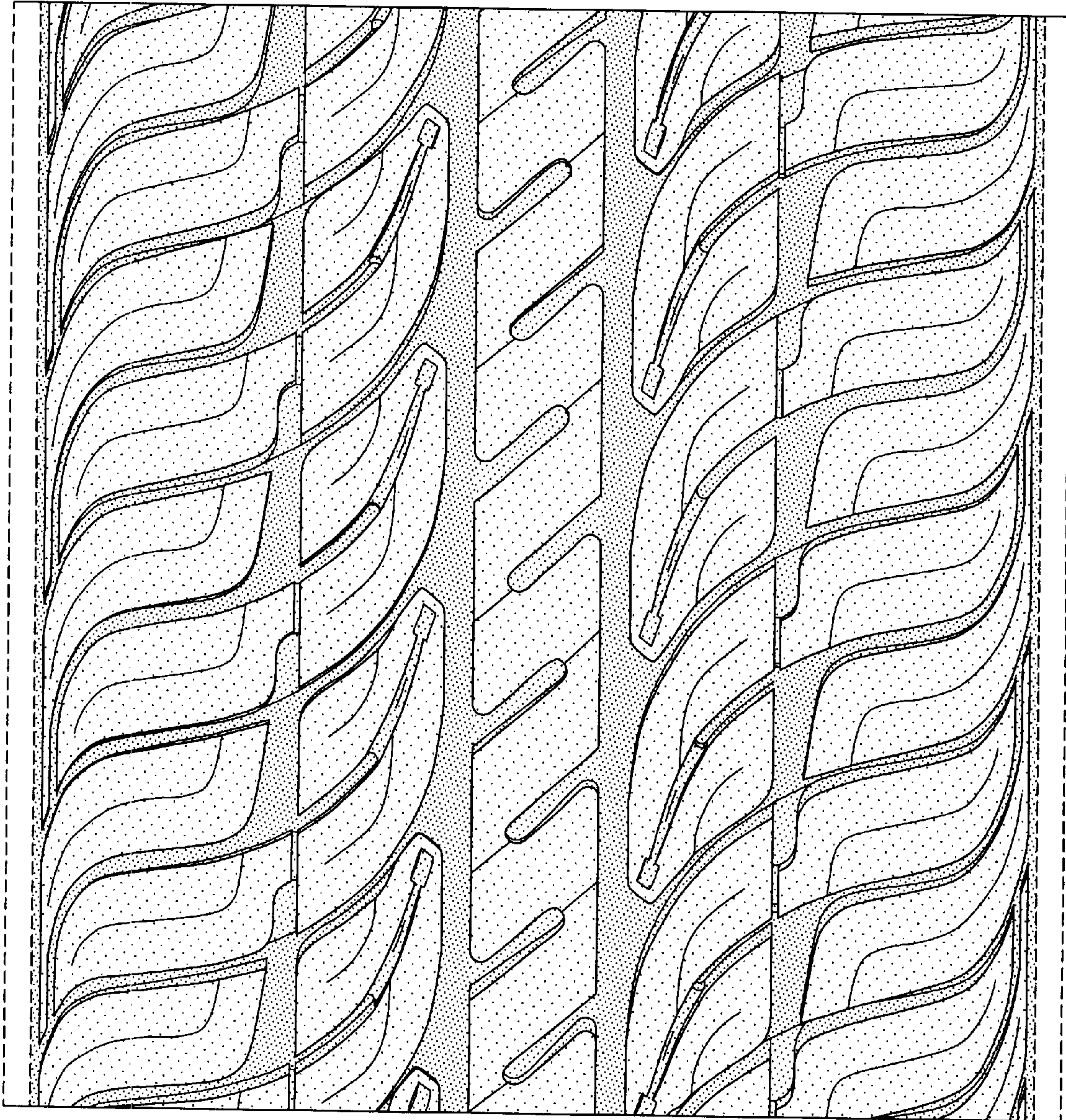


FIG-4