



US00D531104S

(12) **United States Design Patent**
Kim

(10) **Patent No.:** **US D531,104 S**

(45) **Date of Patent:** **** Oct. 31, 2006**

(54) **AUTOMOTIVE WHEEL**

(75) **Inventor:** **Young H. Kim**, La Habra, CA (US)

(73) **Assignee:** **The Wheel Group**, Industry, CA (US)

(**) **Term:** **14 Years**

(21) **Appl. No.:** **29/258,176**

(22) **Filed:** **Apr. 18, 2006**

(51) **LOC (8) Cl.** **12-16**

(52) **U.S. Cl.** **D12/209**

(58) **Field of Classification Search** D12/204-213;
301/37.101, 64.101, 65

See application file for complete search history.

(56) **References Cited**

U.S. PATENT DOCUMENTS

D414,738 S	*	10/1999	Escue	D12/209
D420,637 S	*	2/2000	Glade	D12/209
D472,866 S	*	4/2003	Pfeiffer et al.	D12/211
D486,437 S	*	2/2004	Hieke	D12/211

D486,770 S	*	2/2004	Pollmann	D12/209
D487,046 S	*	2/2004	Yamagishi	D12/209
D492,927 S	*	7/2004	Fitzgerald	D12/211
D494,524 S	*	8/2004	Rice	D12/211
D504,098 S	*	4/2005	Gallert	D12/209
D515,491 S	*	2/2006	Elmitt	D12/209
D519,902 S	*	5/2006	Pfeiffer	D12/209

* cited by examiner

Primary Examiner—Stacia Cadmus

(57) **CLAIM**

The ornamental design for an automotive wheel, as shown and described.

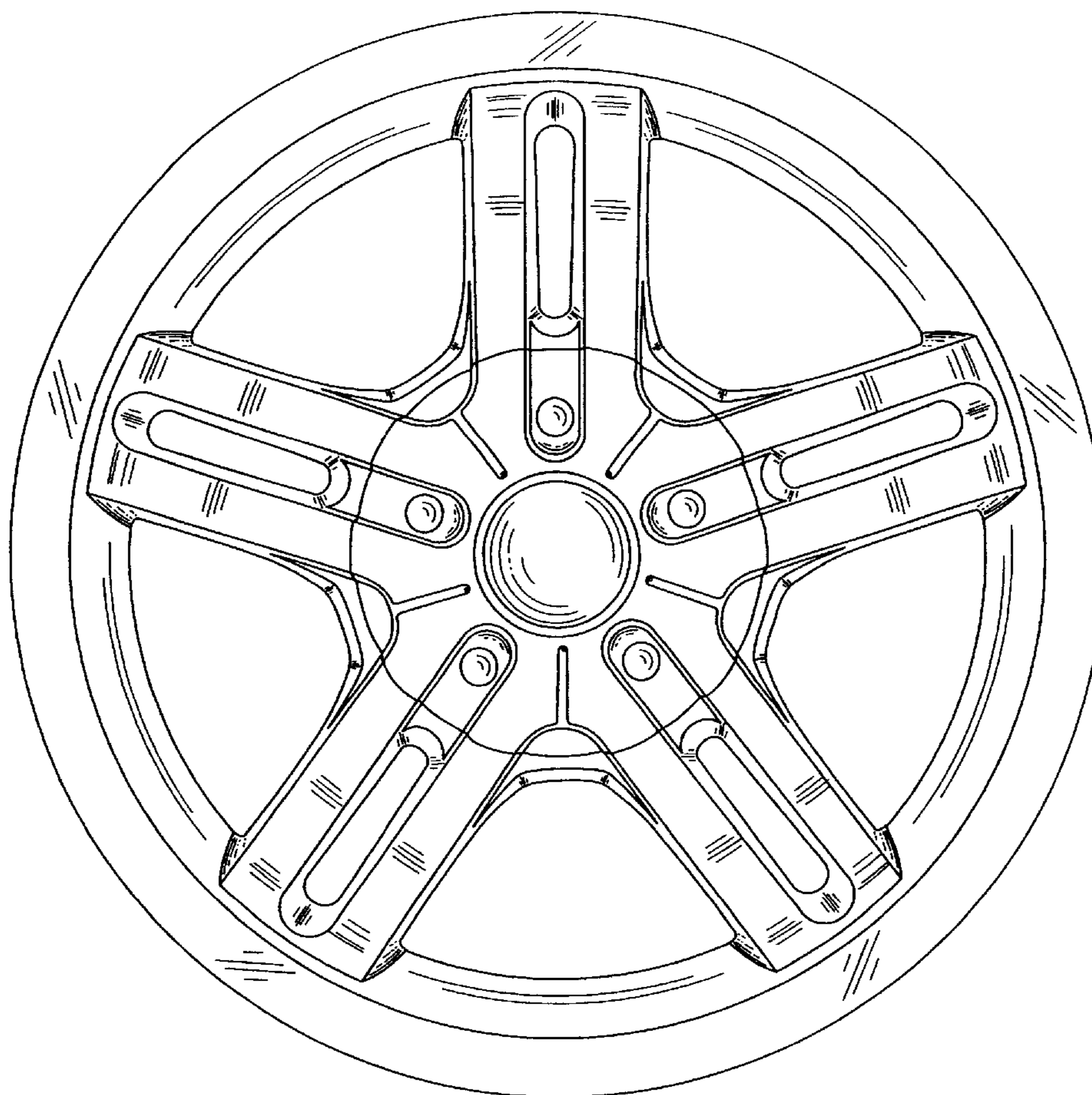
DESCRIPTION

FIG. 1 is a perspective view of an automotive wheel showing my new design; and,

FIG. 2 is a front elevational view of an automotive wheel showing the design herein described.

The broken lines showing the environment are for illustrative purposes only, and form no part of the claimed design.

1 Claim, 2 Drawing Sheets



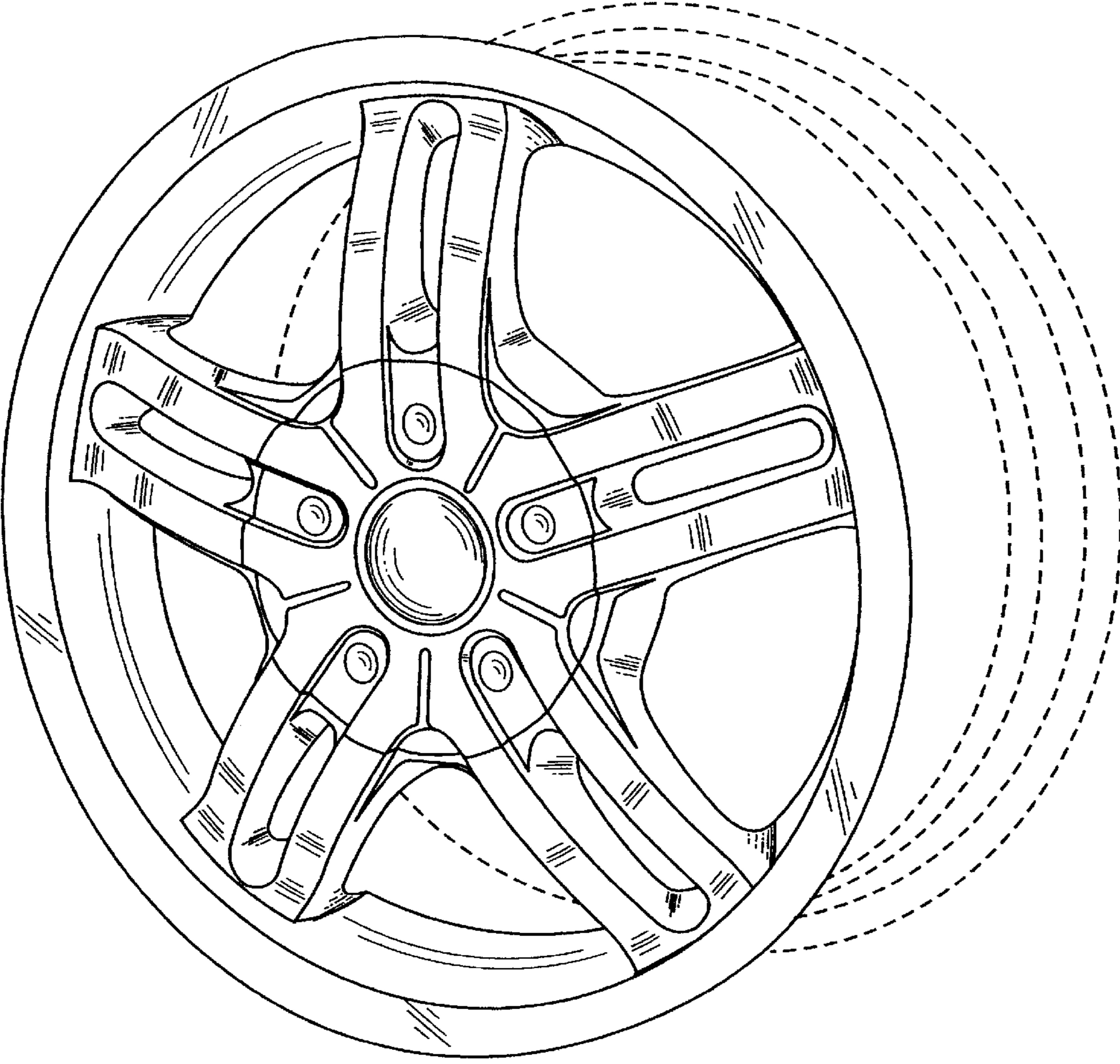


FIG. 1

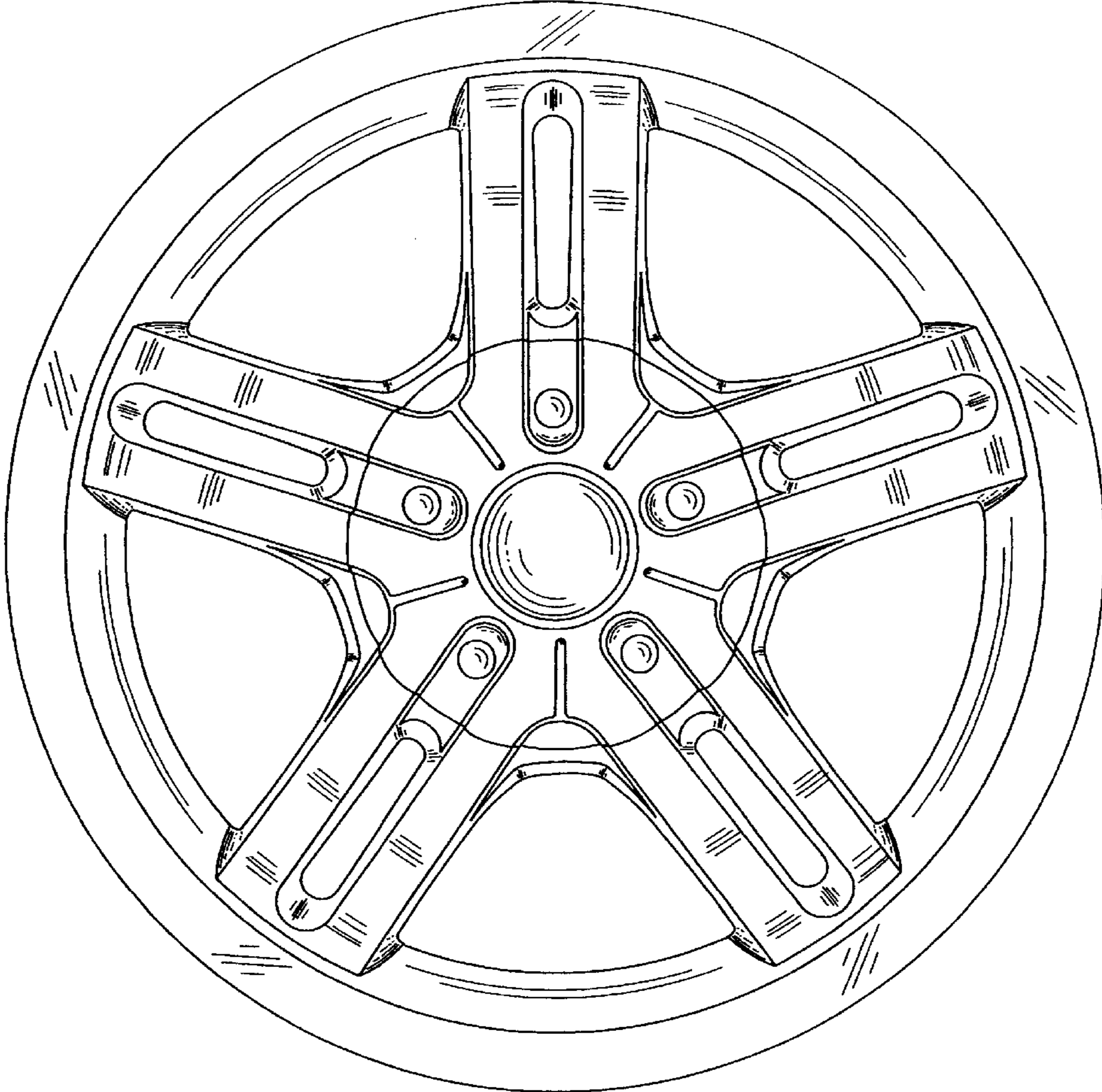


FIG. 2