



US00D531099S

(12) **United States Design Patent**
Wu

(10) **Patent No.:** **US D531,099 S**

(45) **Date of Patent:** **** Oct. 31, 2006**

(54) **BUMPER FOR AUTOMOBILES**

(76) Inventor: **Chia-Hsiang Wu**, 2F., No. 8, Hua Sheng St., Shih Lin District, Taipei (TW)

(**) Term: **14 Years**

(21) Appl. No.: **29/242,225**

(22) Filed: **Nov. 8, 2005**

(51) **LOC (8) Cl.** **12-16**

(52) **U.S. Cl.** **D12/169**

(58) **Field of Classification Search** D12/90-92,
D12/86, 169, 196, 163; 296/180.1, 180.2;
293/102, 113, 115, 117, 120
See application file for complete search history.

(56) **References Cited**

U.S. PATENT DOCUMENTS

D436,067 S * 1/2001 Okano et al. D12/169
D498,716 S * 11/2004 Maeda et al. D12/169

D501,162 S * 1/2005 Mays et al. D12/169
D509,777 S * 9/2005 Hakamata D12/169
D511,724 S * 11/2005 Sugimoto D12/169

* cited by examiner

Primary Examiner—Melody N. Brown

(74) *Attorney, Agent, or Firm*—Leong C. Lei

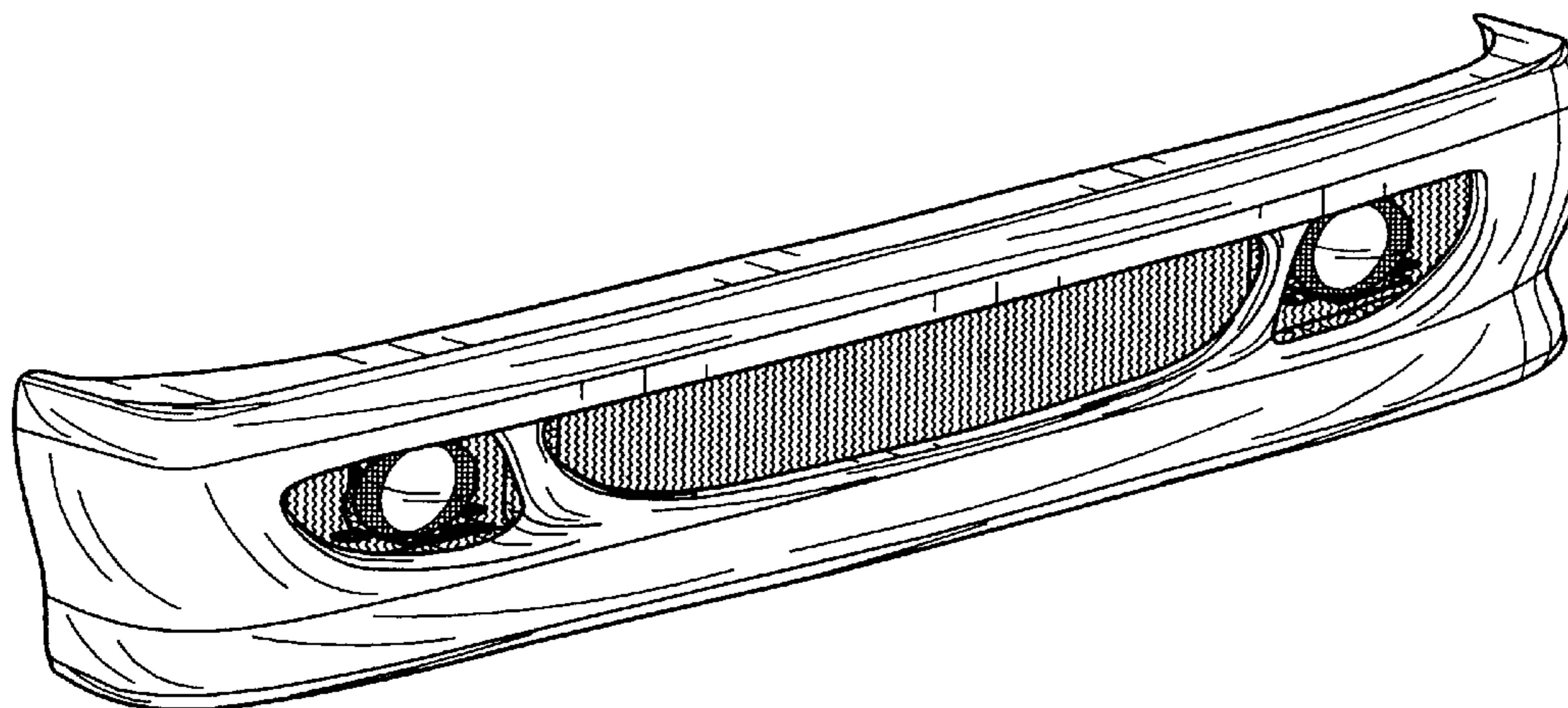
(57) **CLAIM**

The ornamental design for a bumper for automobiles, as shown and described.

DESCRIPTION

FIG. 1 is a perspective view of a bumper for automobiles showing my new design;
FIG. 2 is a front elevational view thereof;
FIG. 3 is a rear elevational view thereof;
FIG. 4 is a left side elevational view thereof;
FIG. 5 is a right side elevational view thereof;
FIG. 6 is a top plan view thereof; and,
FIG. 7 is a bottom plan view thereof.

1 Claim, 4 Drawing Sheets



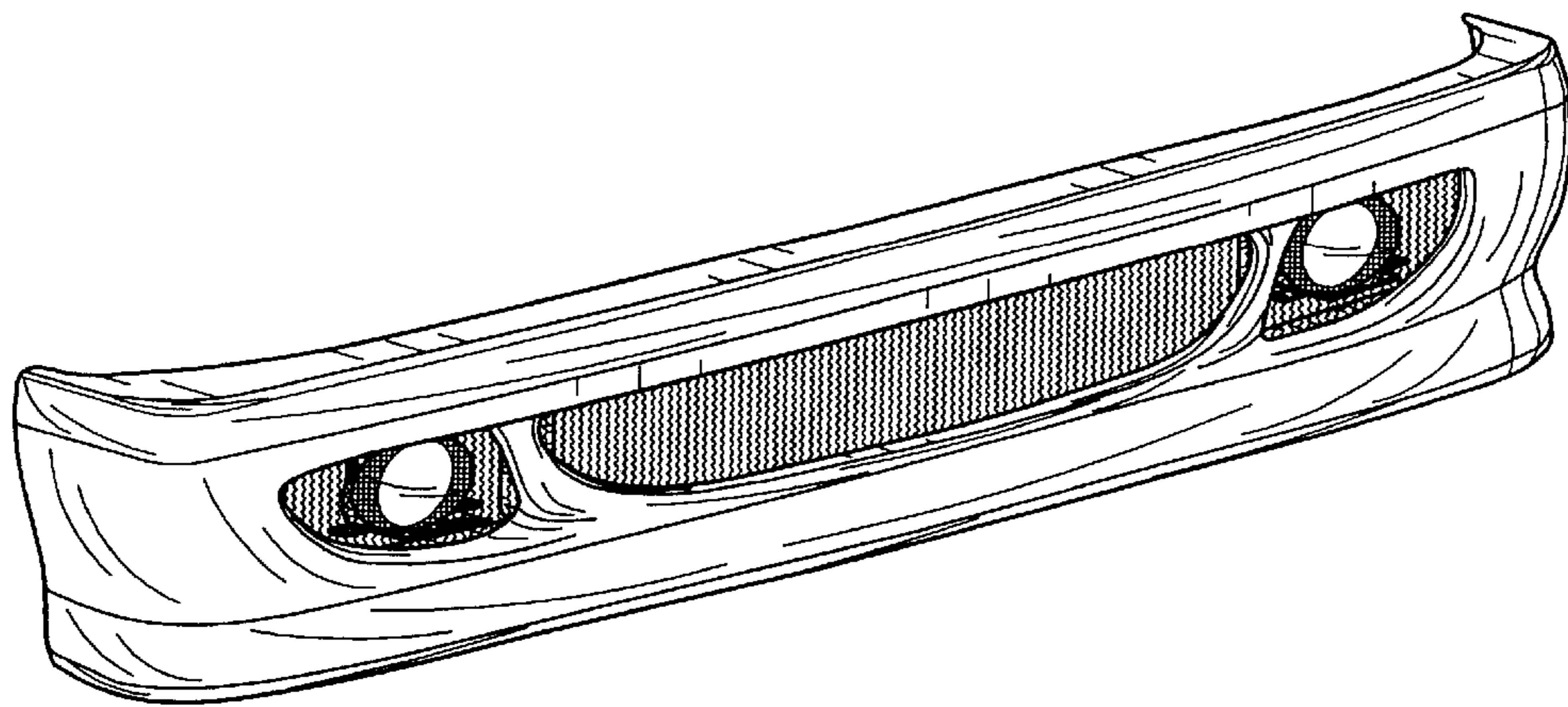


FIG. 1

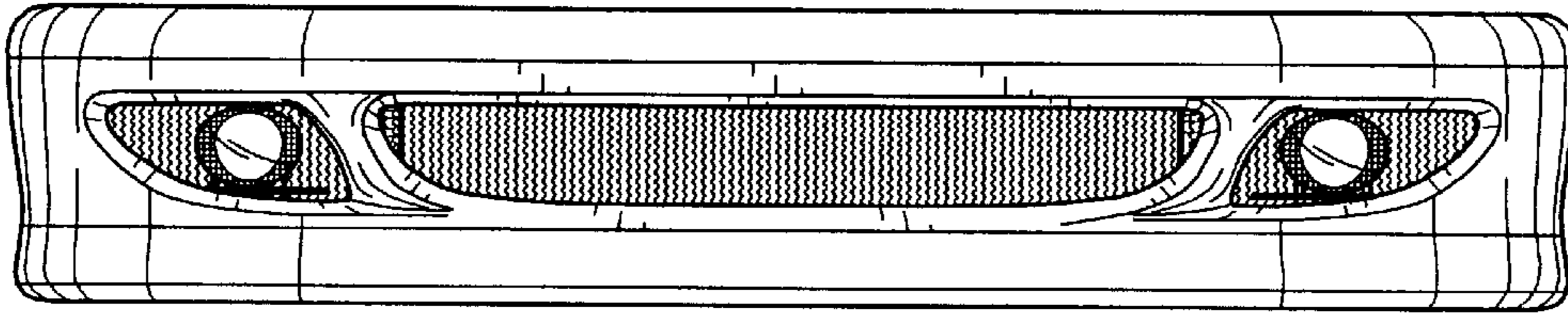


FIG. 2

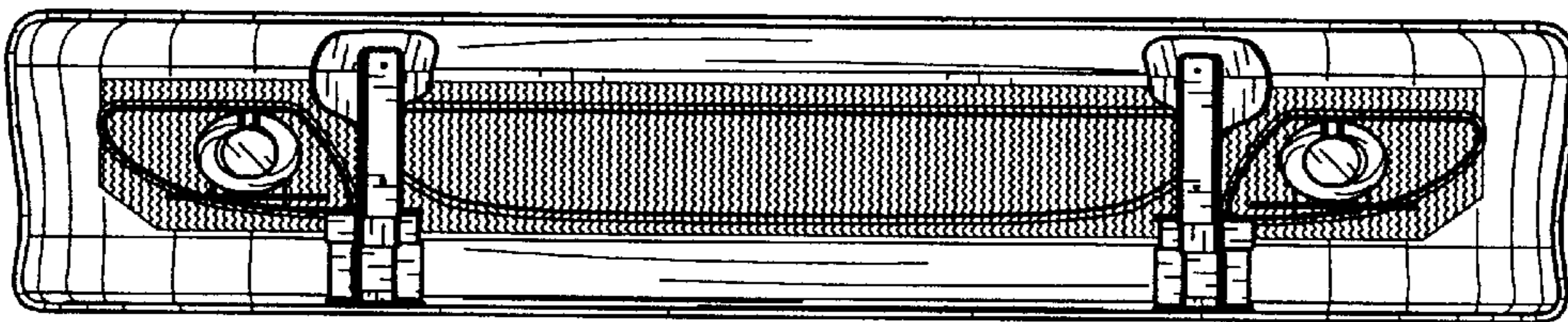


FIG. 3

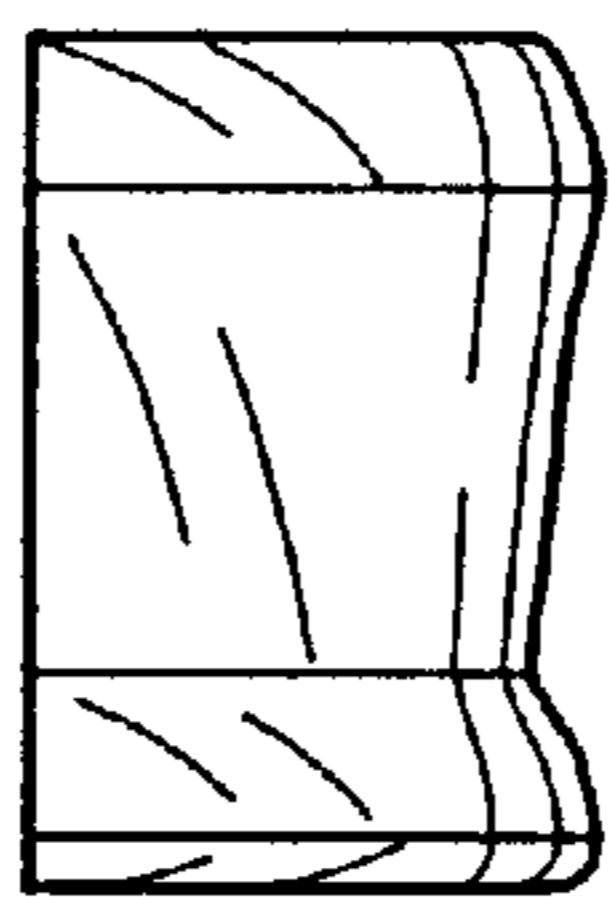


FIG. 4

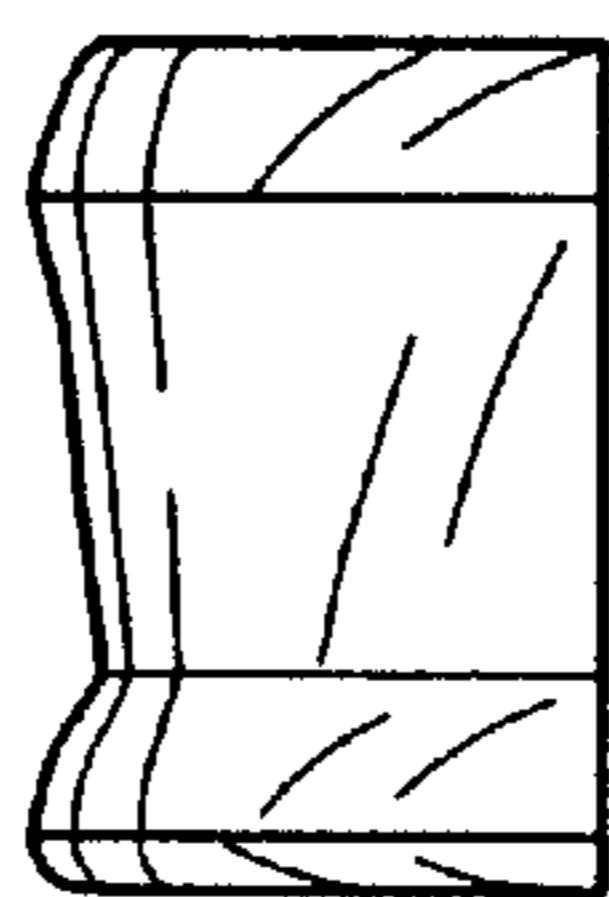


FIG. 5

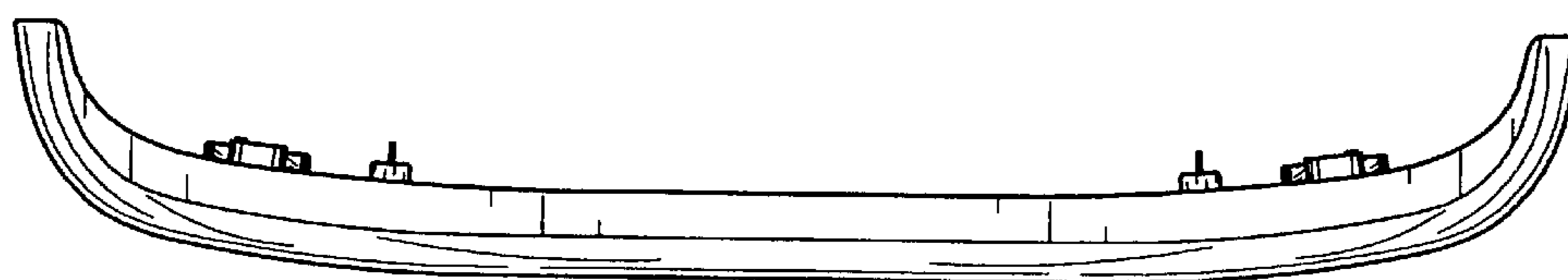


FIG. 6

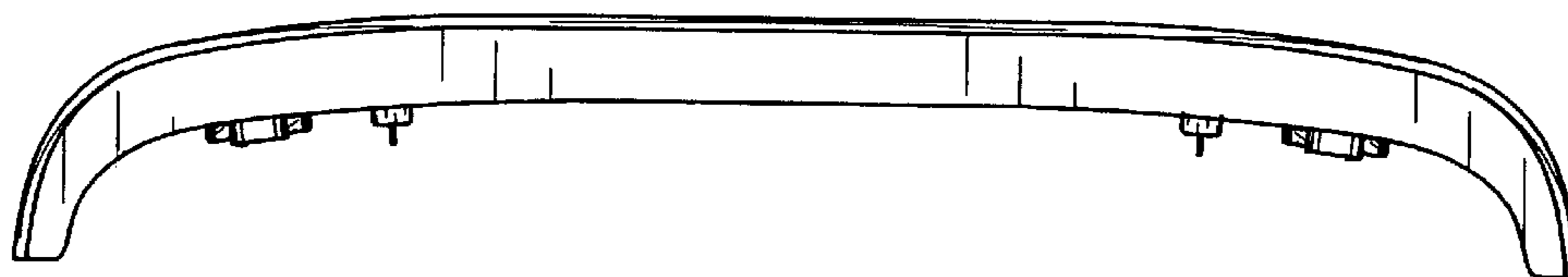


FIG. 7