



US00D531094S

(12) **United States Design Patent**
Flowers et al.

(10) **Patent No.:** **US D531,094 S**

(45) **Date of Patent:** **** Oct. 31, 2006**

(54) **PERSONAL MOBILITY VEHICLE**

(75) Inventors: **Michael J. Flowers**, Mantua, NJ (US);
Stephen Jarema, III, Pittsgrove, NJ
(US); **David S. Zaveloff**, Bordentown,
NJ (US)

(73) Assignee: **Electric Mobility Corporation**, Sewell,
NJ (US)

(**) Term: **14 Years**

(21) Appl. No.: **29/231,618**

(22) Filed: **Jun. 8, 2005**

(51) **LOC (8) Cl.** **12-12**

(52) **U.S. Cl.** **D12/131**

(58) **Field of Classification Search** D12/128-133;
280/250.1, 304.1; 180/6.5, 65.1, 907, 908;
297/DIG. 4

See application file for complete search history.

(56) **References Cited**

U.S. PATENT DOCUMENTS

D444,421 S	*	7/2001	Cheng	D12/131
D454,814 S	*	3/2002	Ou	D12/128
D460,028 S	*	7/2002	Wu et al.	D12/128
D489,652 S	*	5/2004	Roach	D12/131
D494,512 S	*	8/2004	Cheng	D12/131
D509,775 S	*	9/2005	Chen	D12/131
D513,720 S	*	1/2006	Etzioni et al.	D12/131
D517,456 S	*	3/2006	Wu et al.	D12/131

* cited by examiner

Primary Examiner—Marcus A. Jackson

(74) *Attorney, Agent, or Firm*—Frijouf, Rust & Pyle, P.A.

(57) **CLAIM**

The ornamental design for a personal mobility vehicle, as shown and described.

DESCRIPTION

FIG. 1 is an isometric view of our new design for a personal mobility vehicle with an accessory container;

FIG. 2 is a top view thereof;

FIG. 3 is a left side view thereof;

FIG. 4 is a right side view thereof;

FIG. 5 is a bottom view thereof;

FIG. 6 is front view thereof;

FIG. 7 is rear view thereof;

FIG. 8 is an isometric view of our new design for a personal mobility vehicle without the accessory container;

FIG. 9 is a top view thereof;

FIG. 10 is a left side view thereof;

FIG. 11 is a right side view thereof;

FIG. 12 is bottom view thereof;

FIG. 13 is front view thereof;

FIG. 14 is rear view thereof;

FIG. 15 is an isometric view of our new design for a personal mobility vehicle in a folded condition;

FIG. 16 is a top view thereof;

FIG. 17 is a left side view thereof;

FIG. 18 is a right side view thereof;

FIG. 19 is bottom view thereof;

FIG. 20 is front view thereof; and,

FIG. 21 is rear view thereof.

1 Claim, 12 Drawing Sheets





FIG. 1

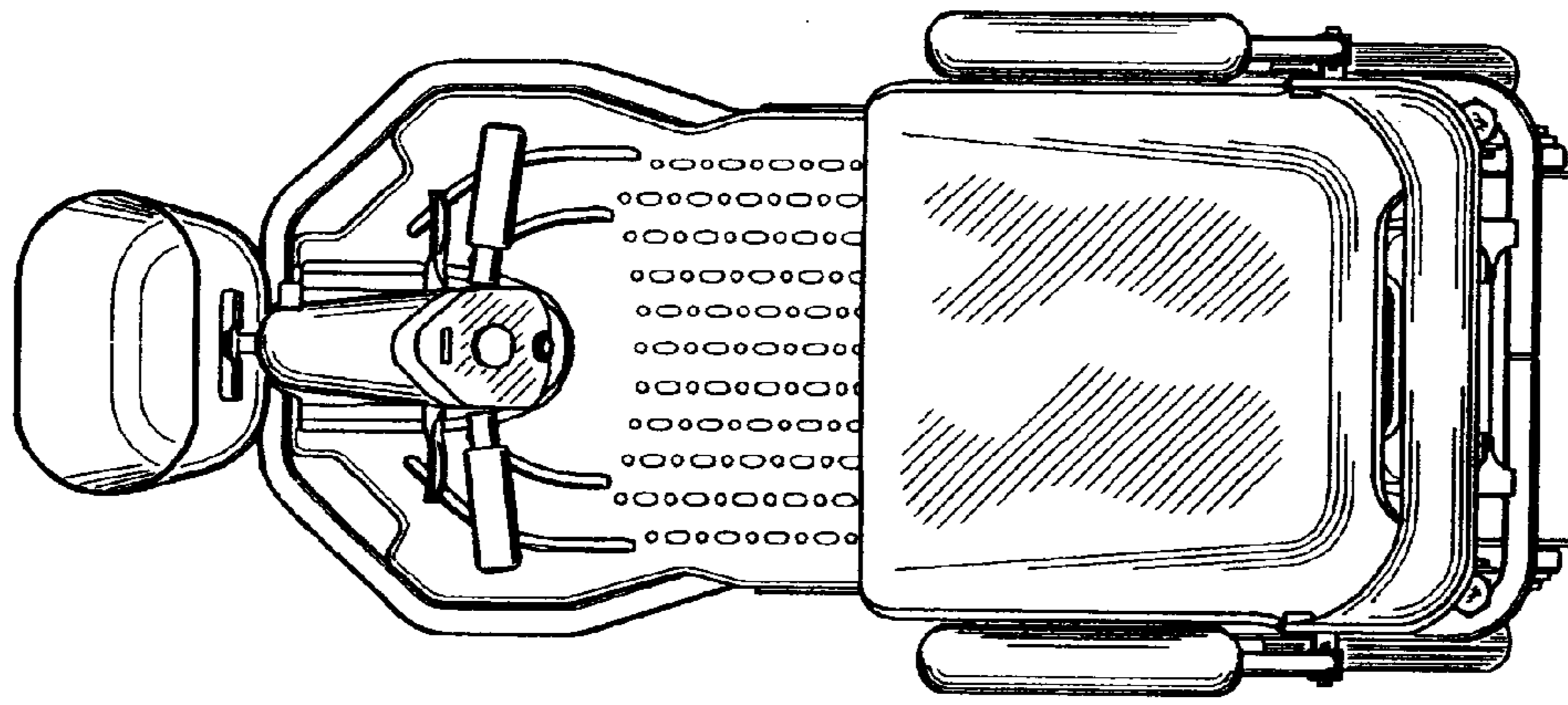


FIG. 2

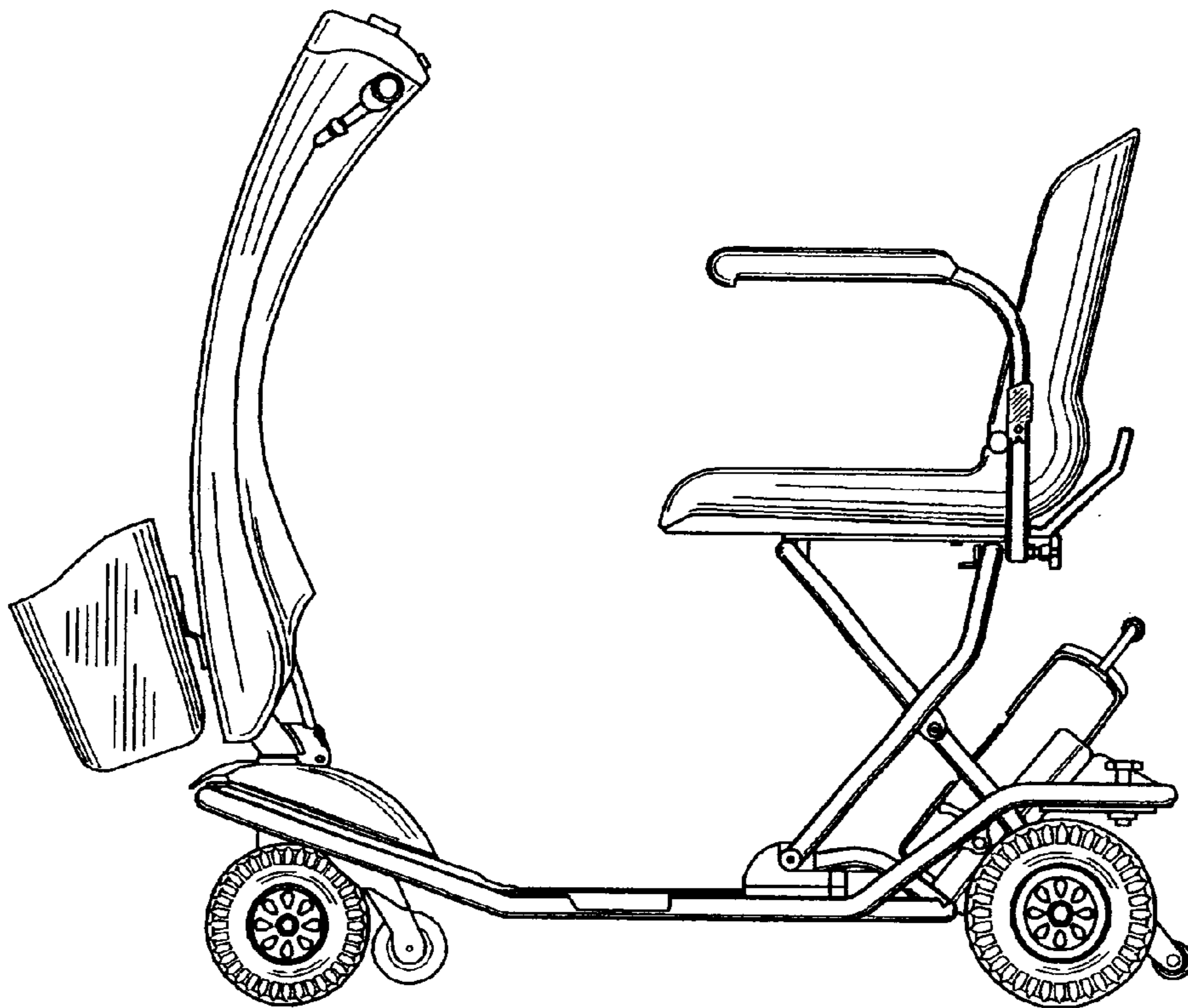


FIG. 3

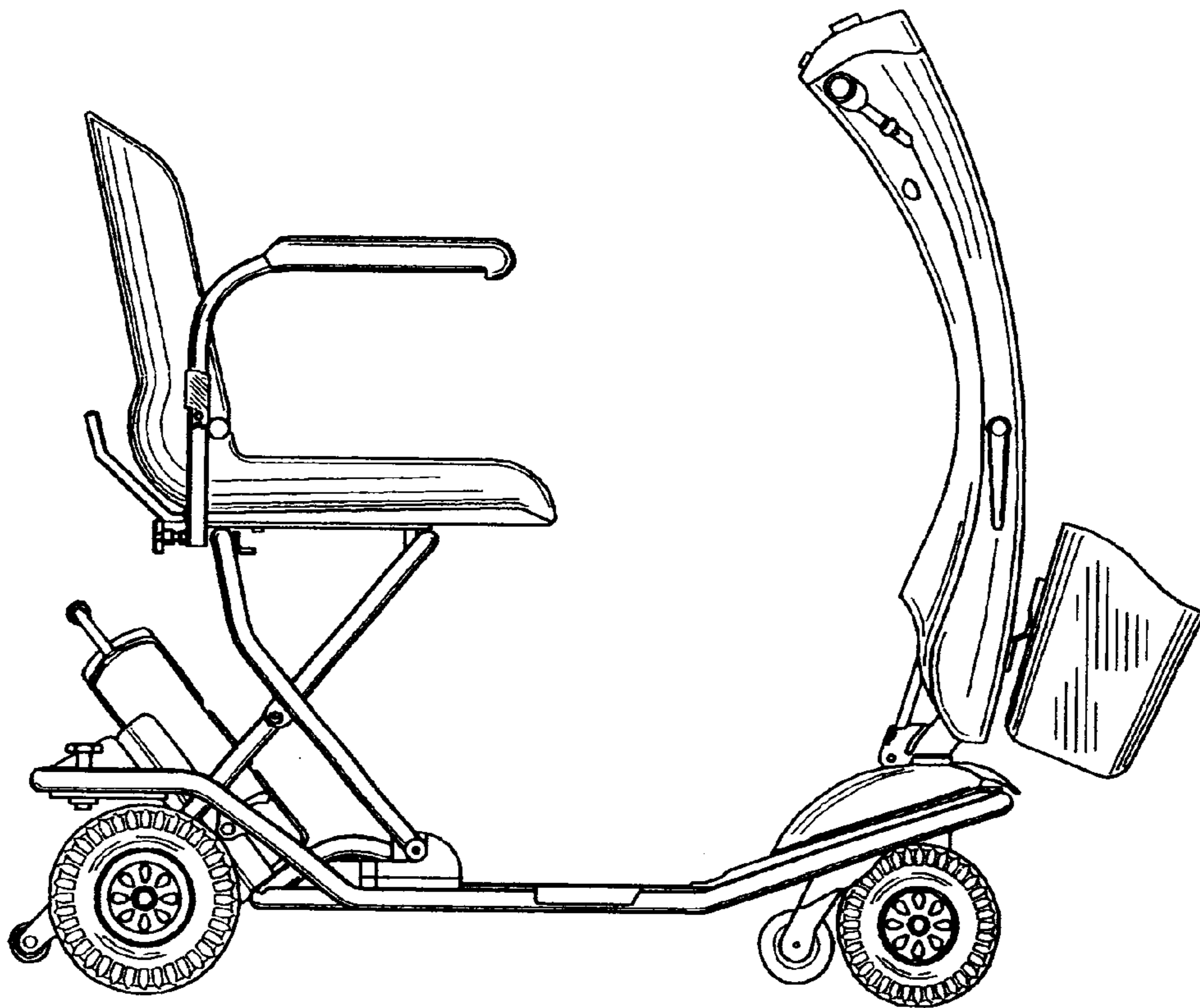


FIG. 4

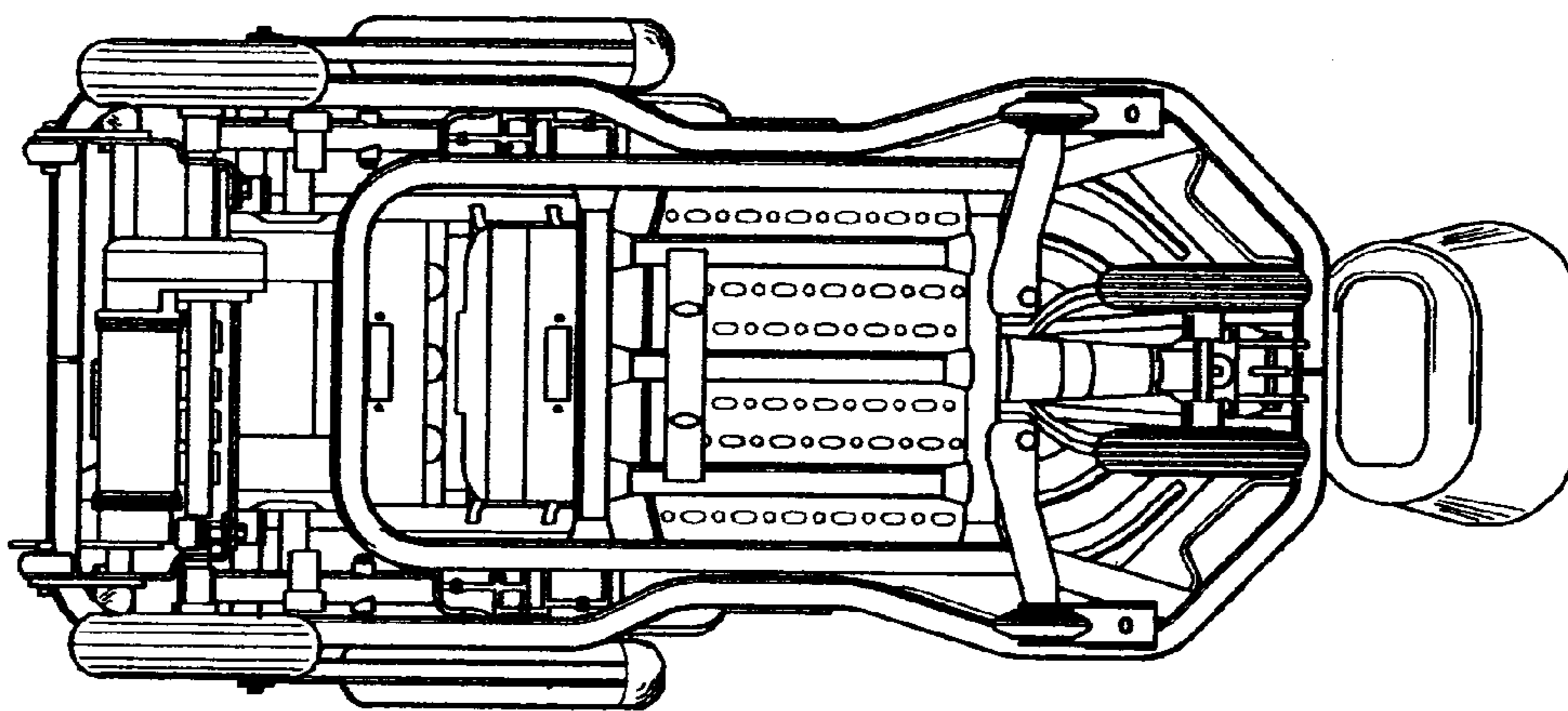


FIG. 5

FIG. 6

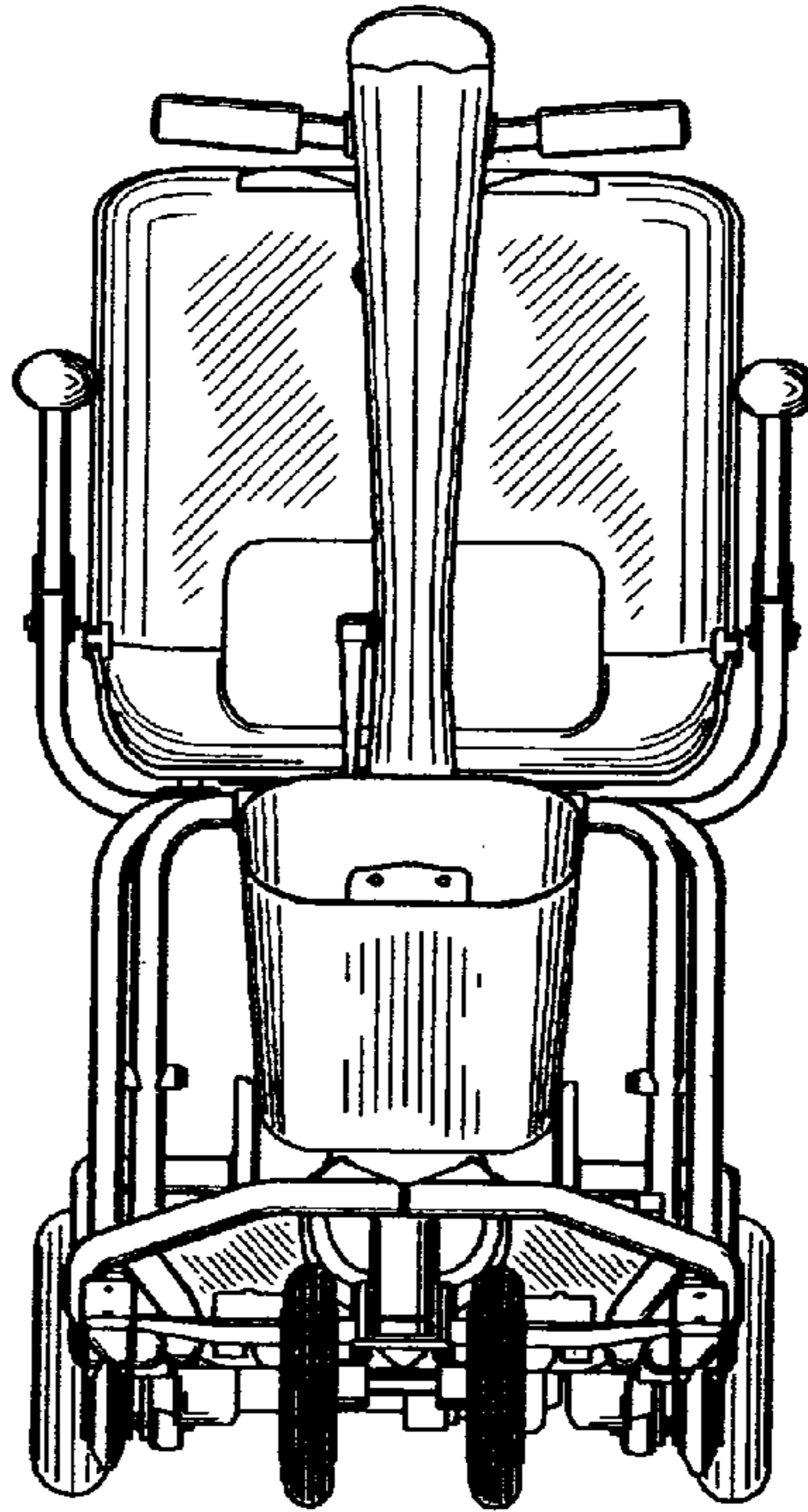
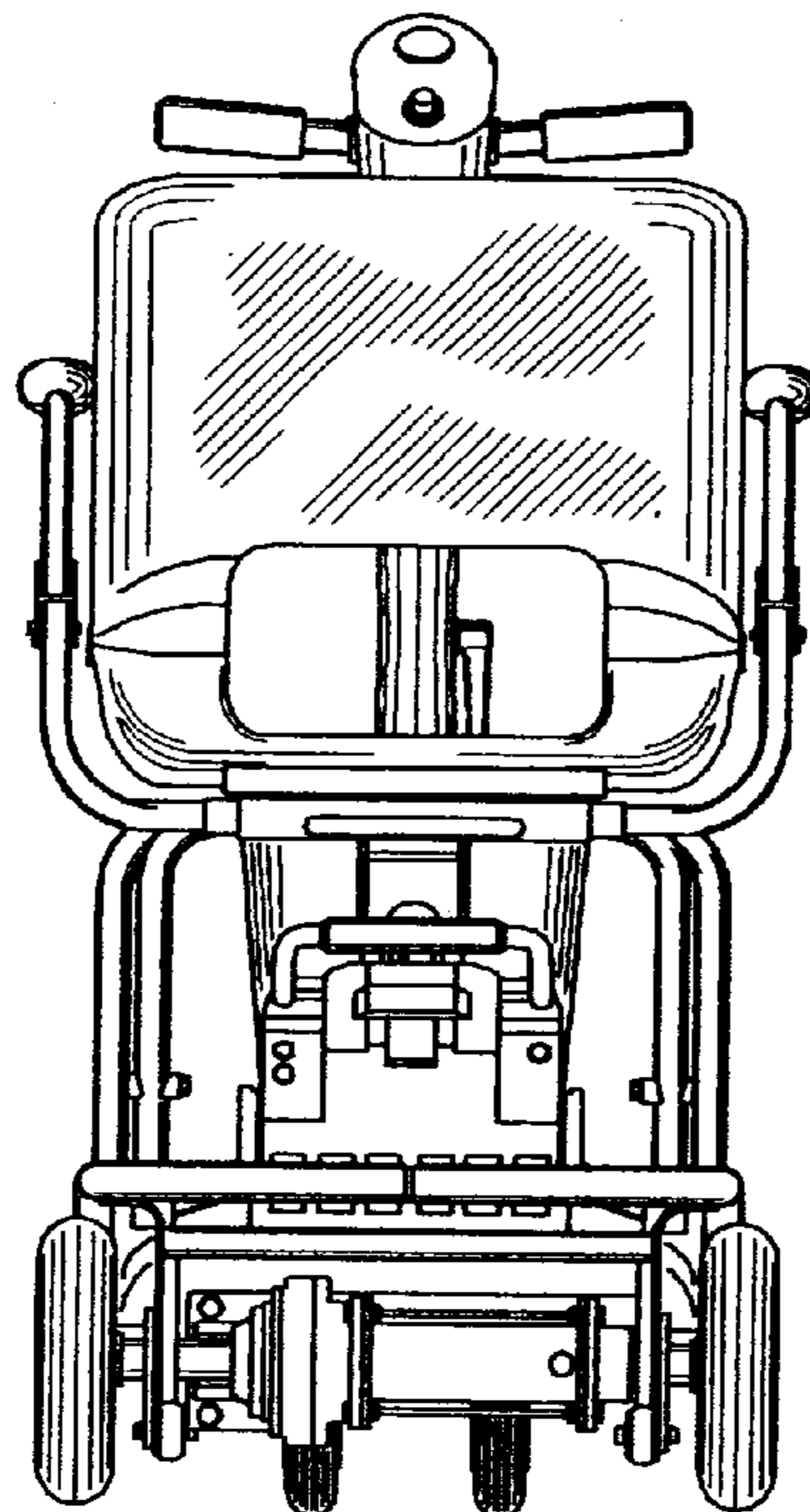


FIG. 7



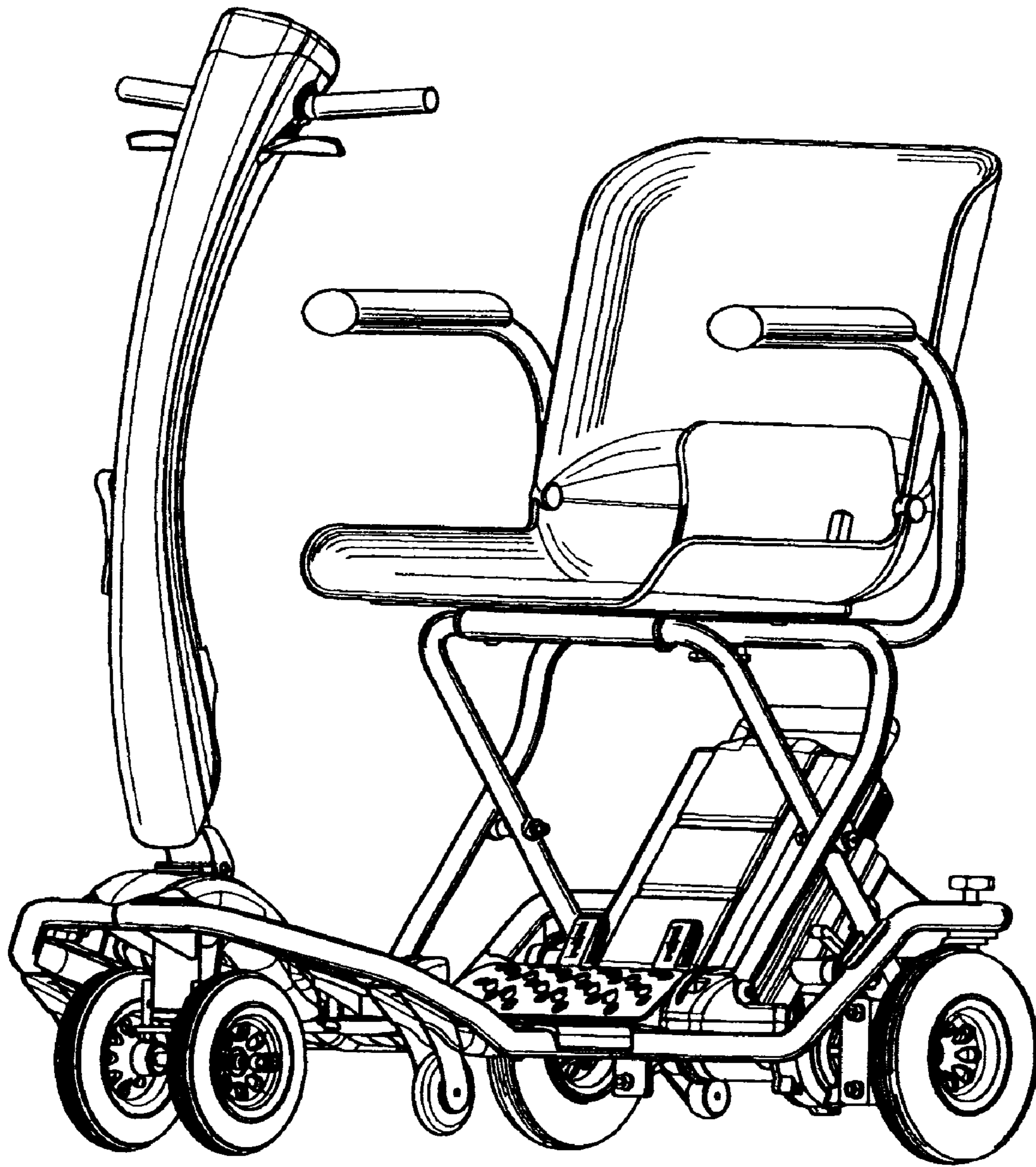


FIG. 8

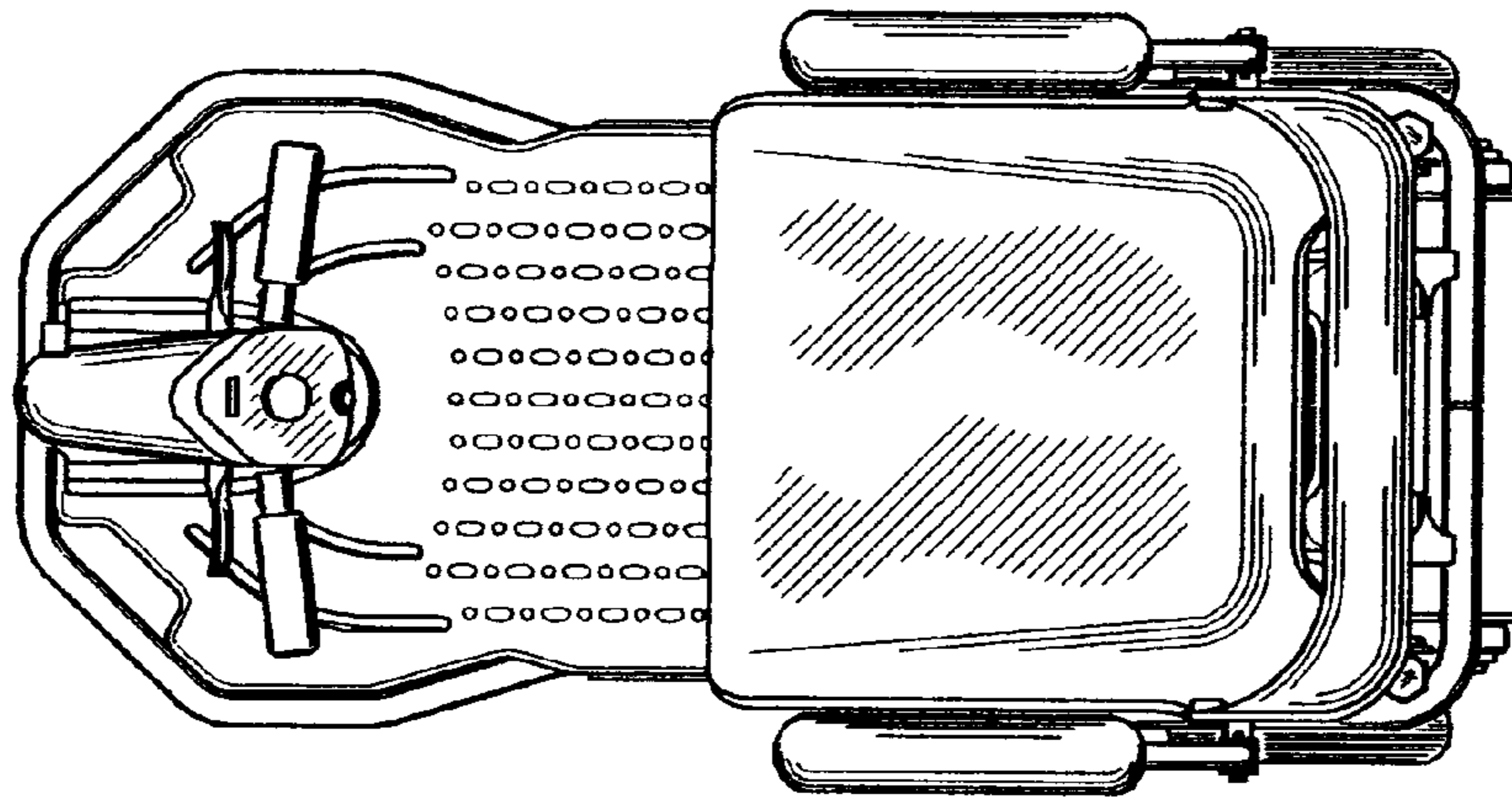


FIG. 9



FIG. 10

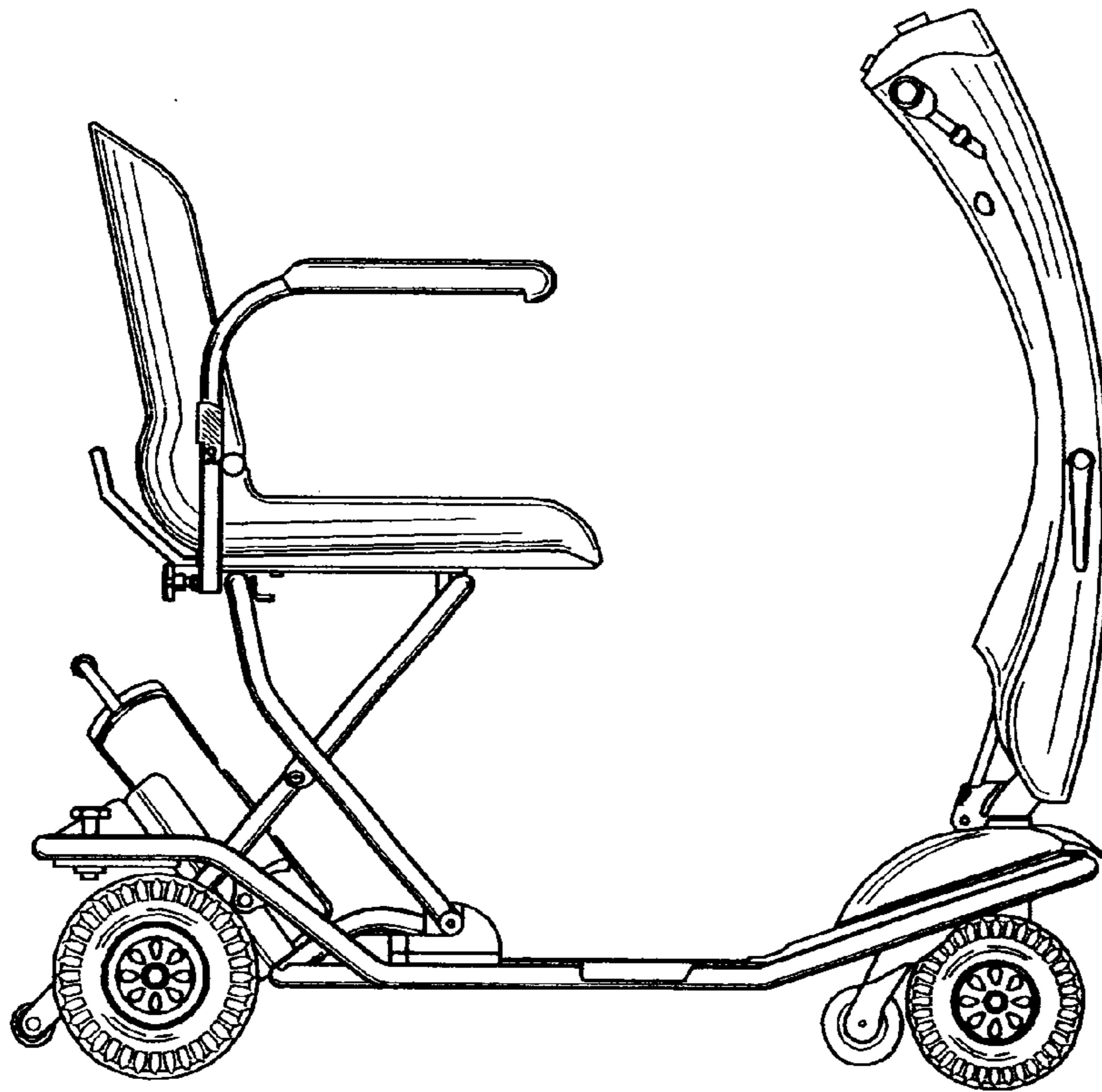


FIG. 11

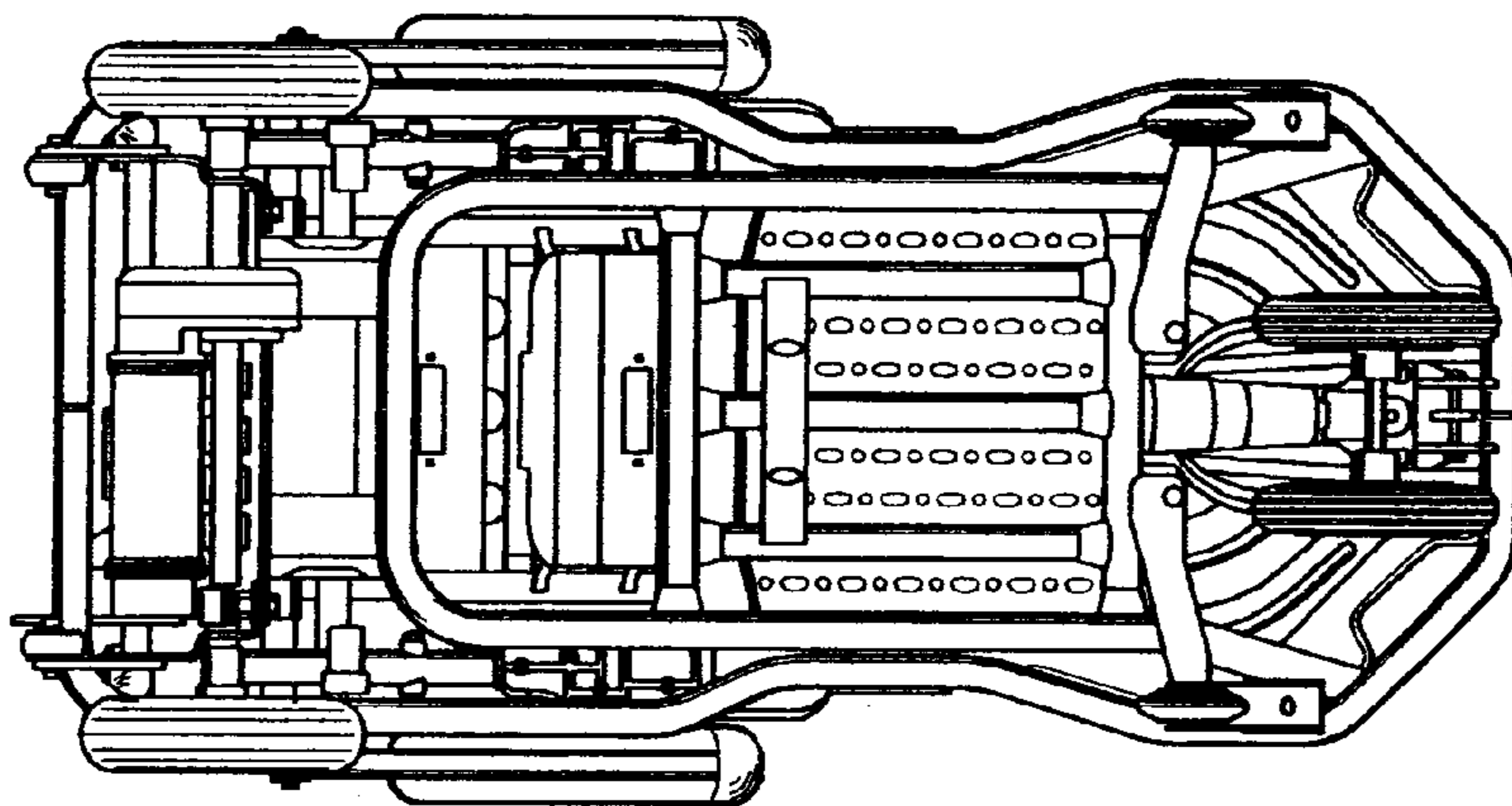


FIG. 12

FIG. 13

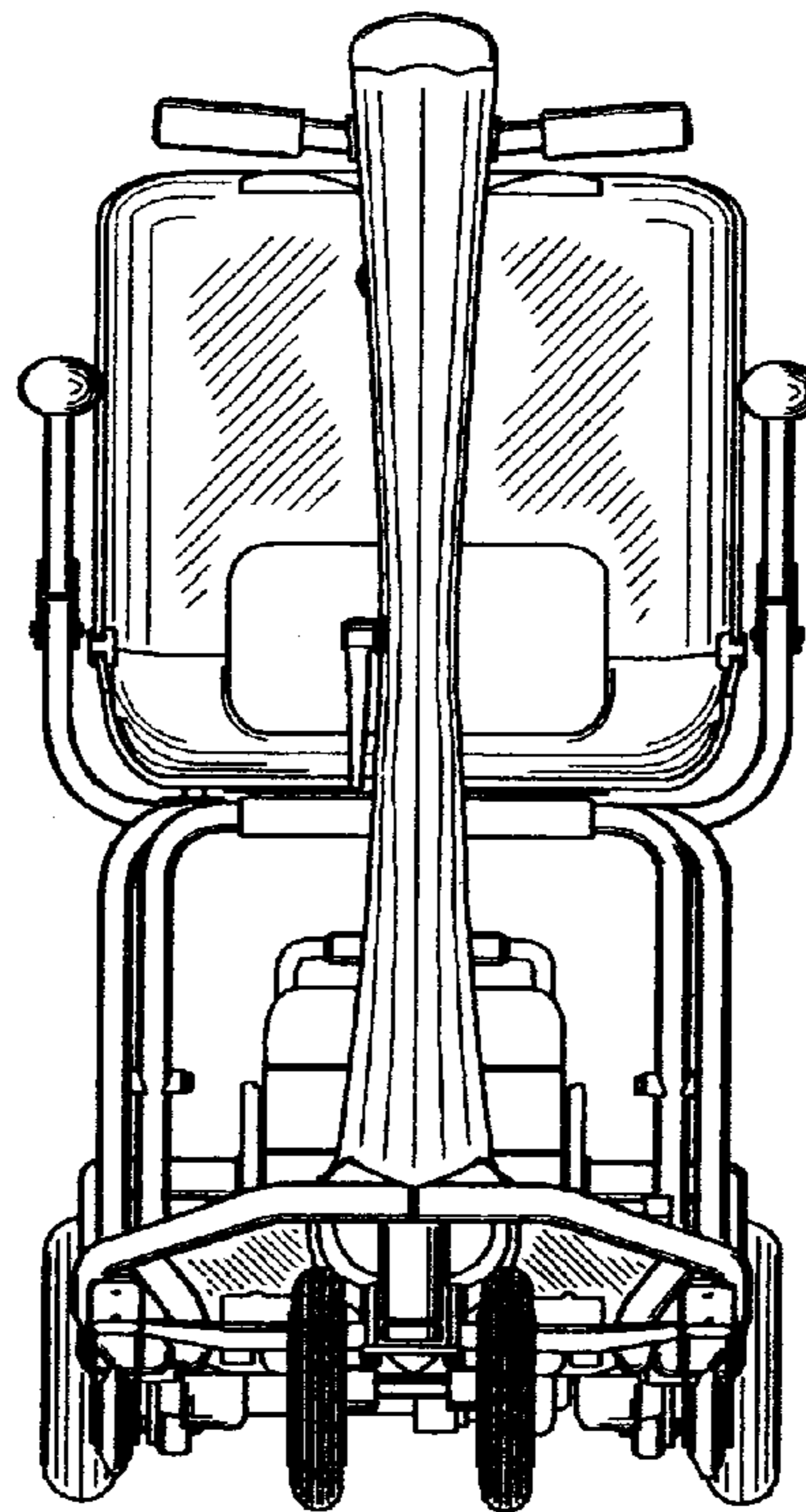
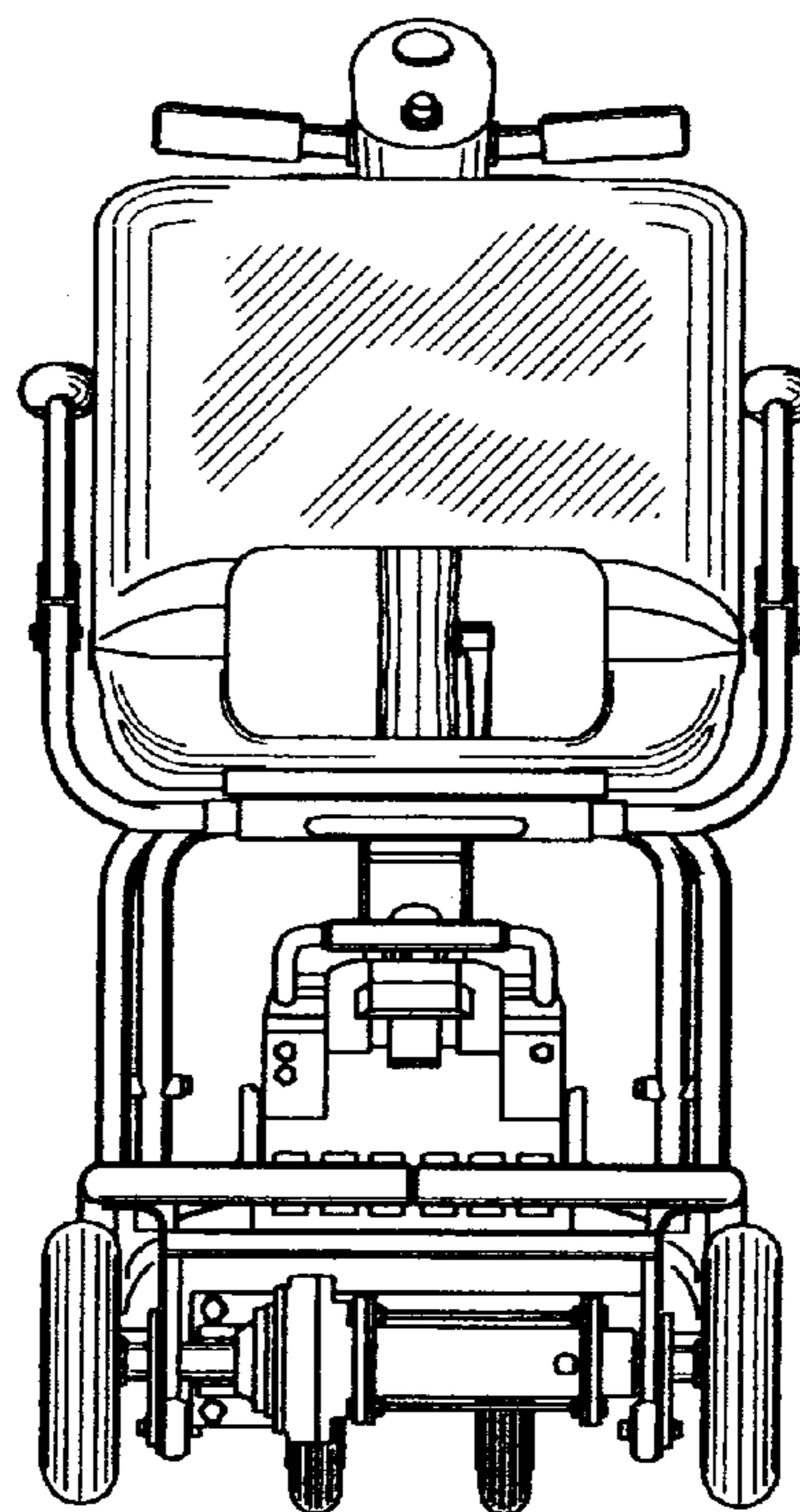


FIG. 14



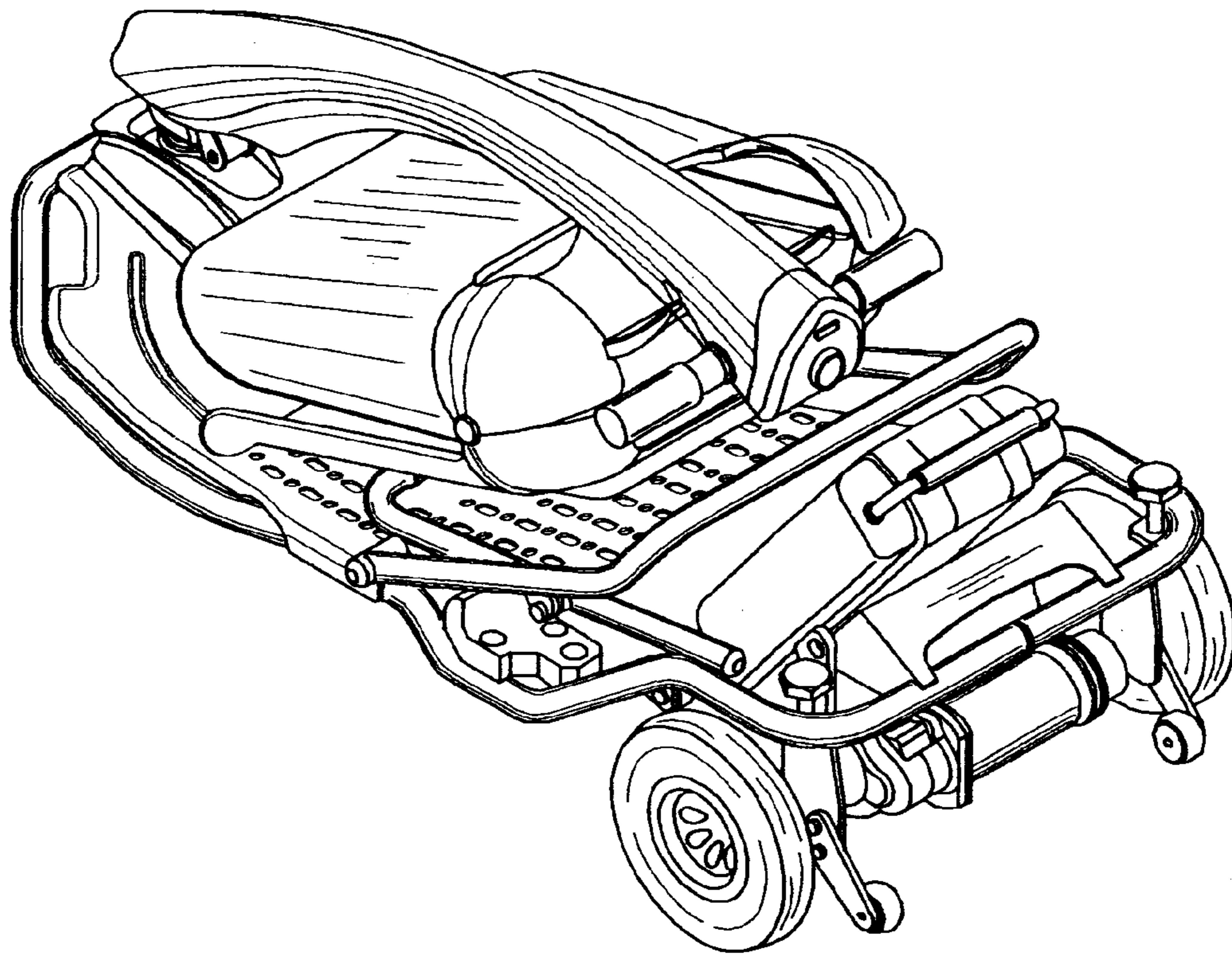


FIG. 15

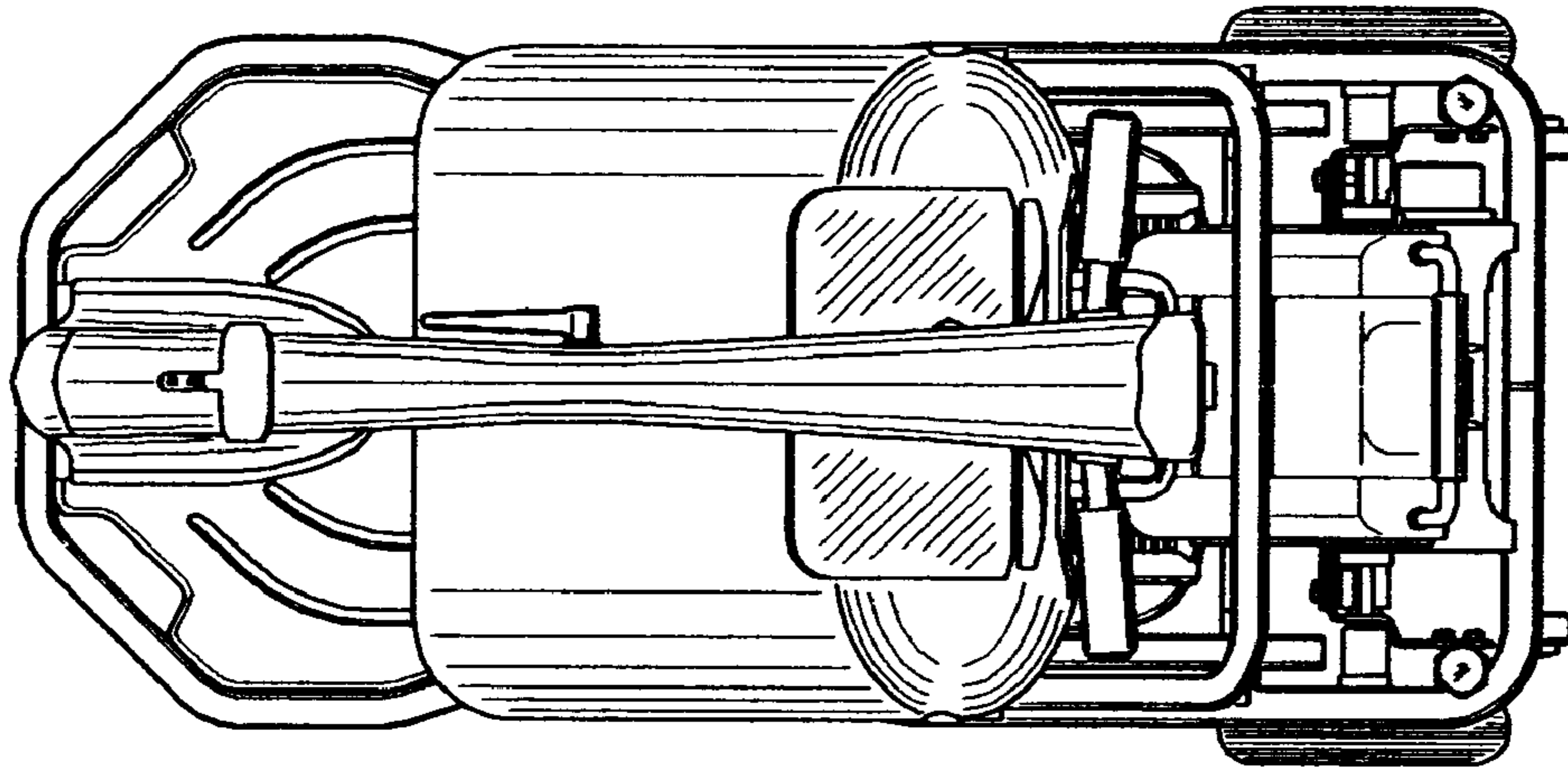


FIG. 16

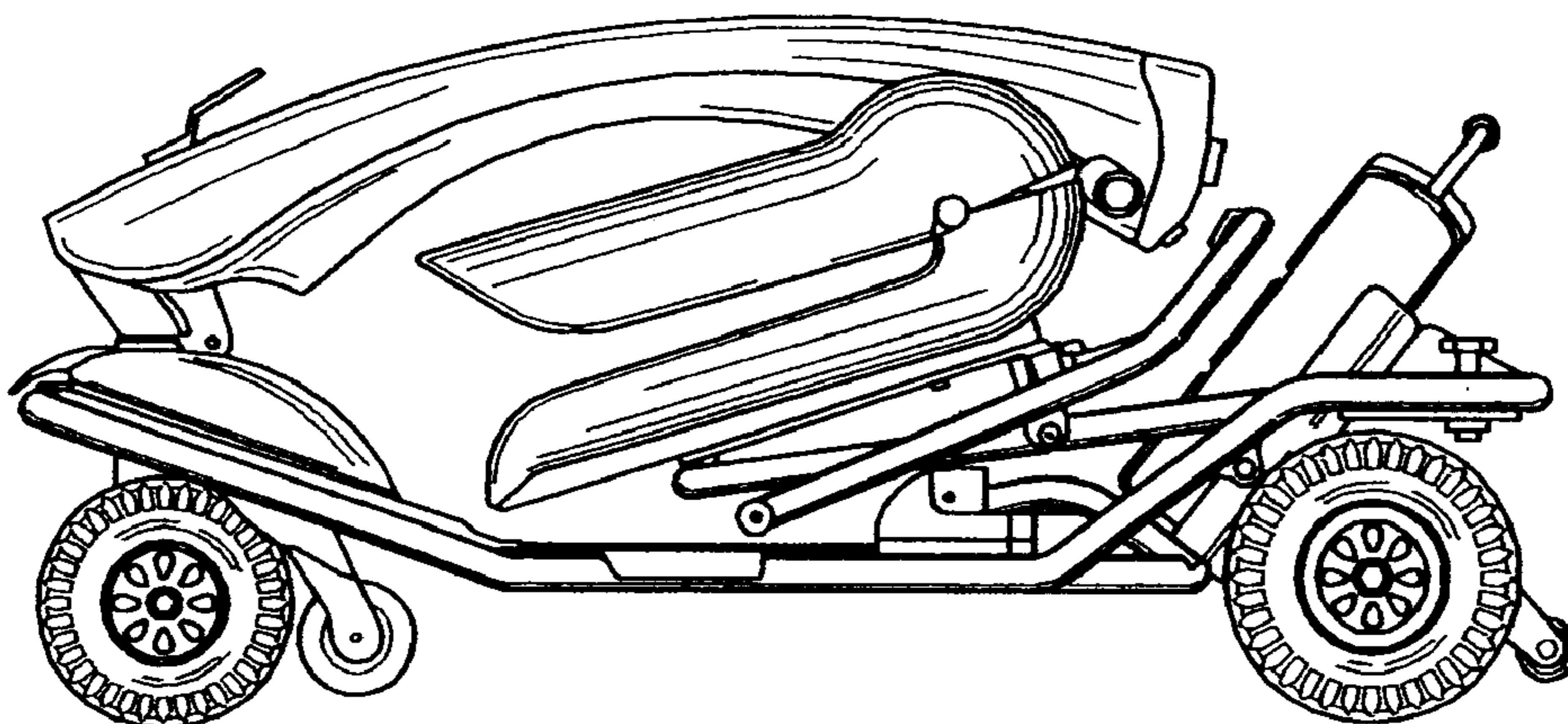


FIG. 17

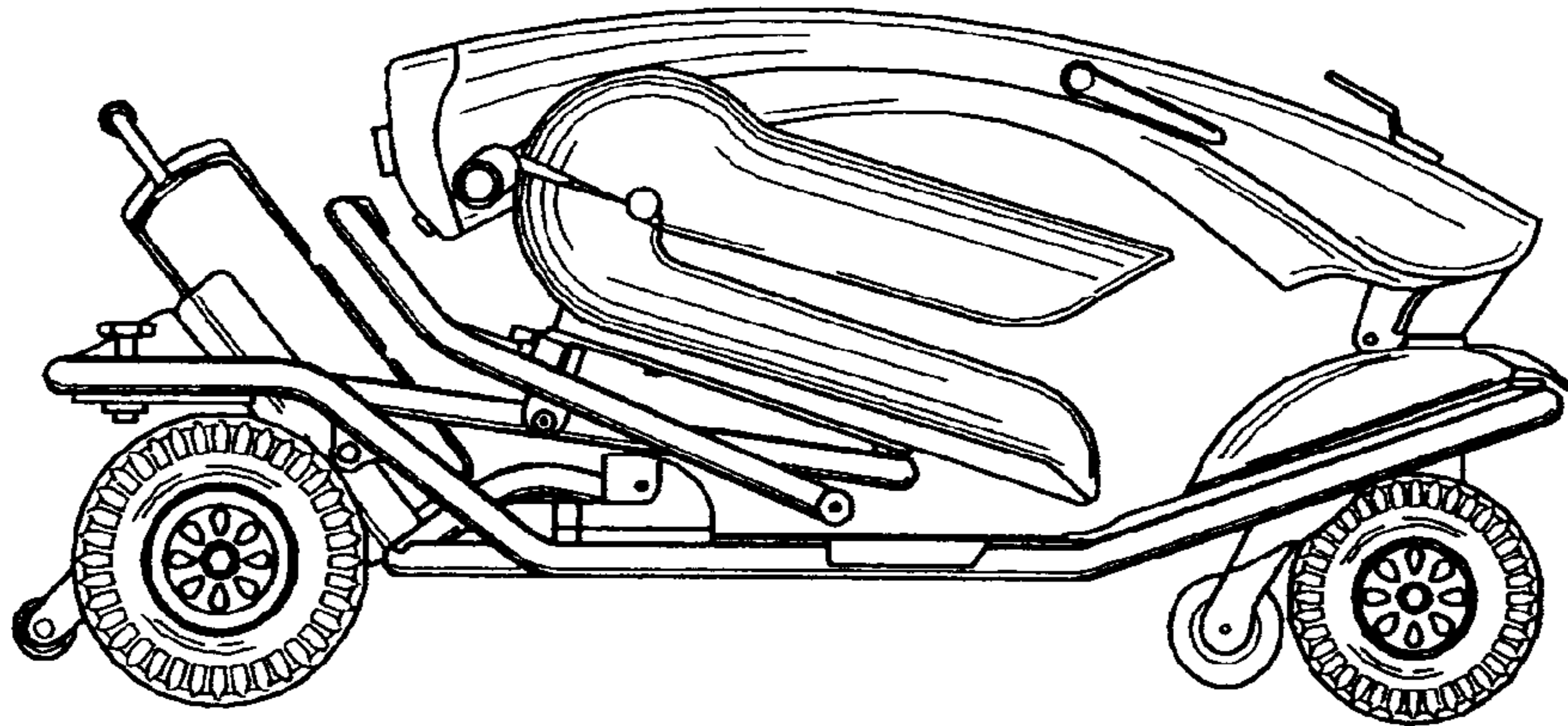


FIG. 18

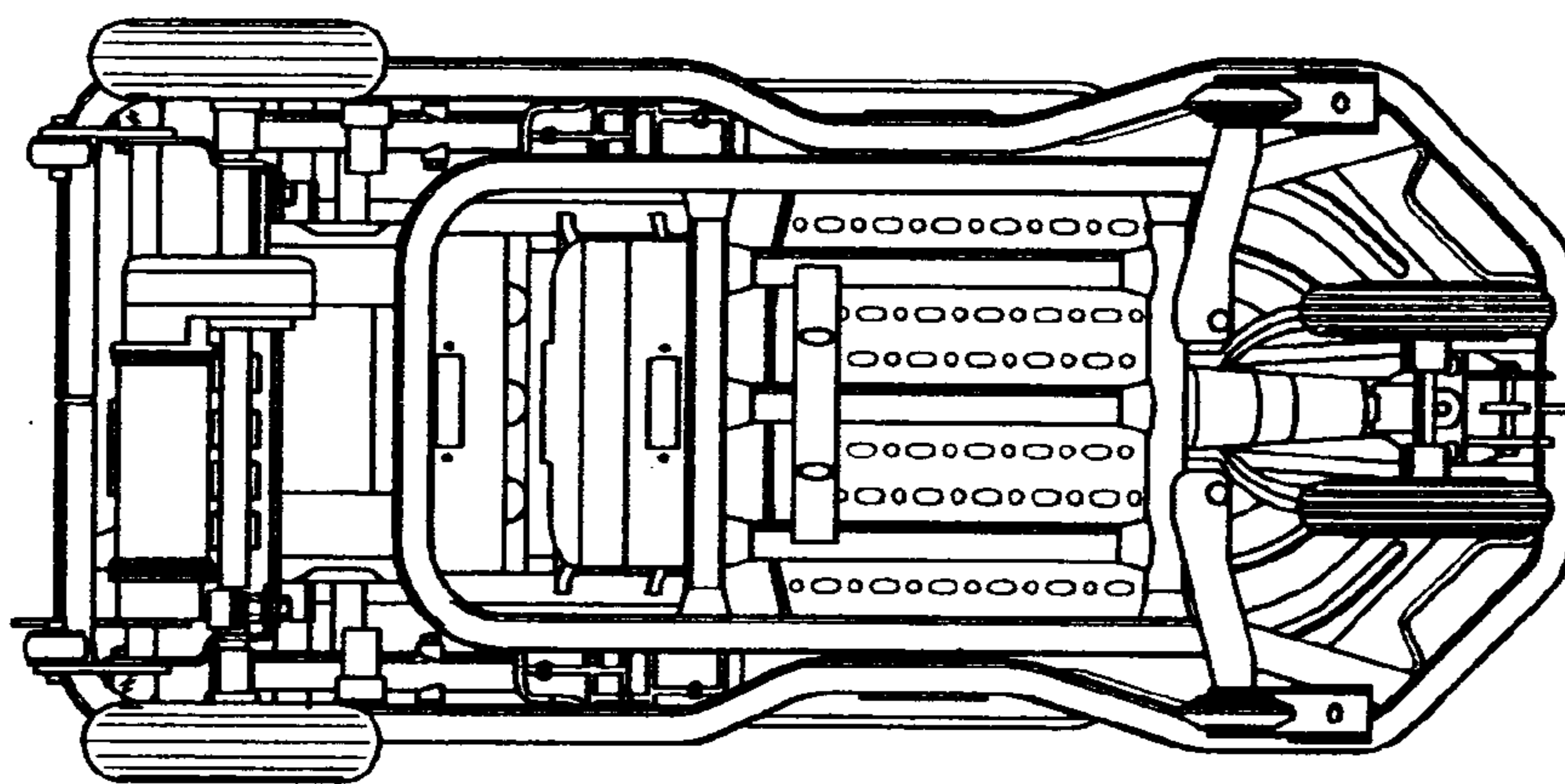


FIG. 19

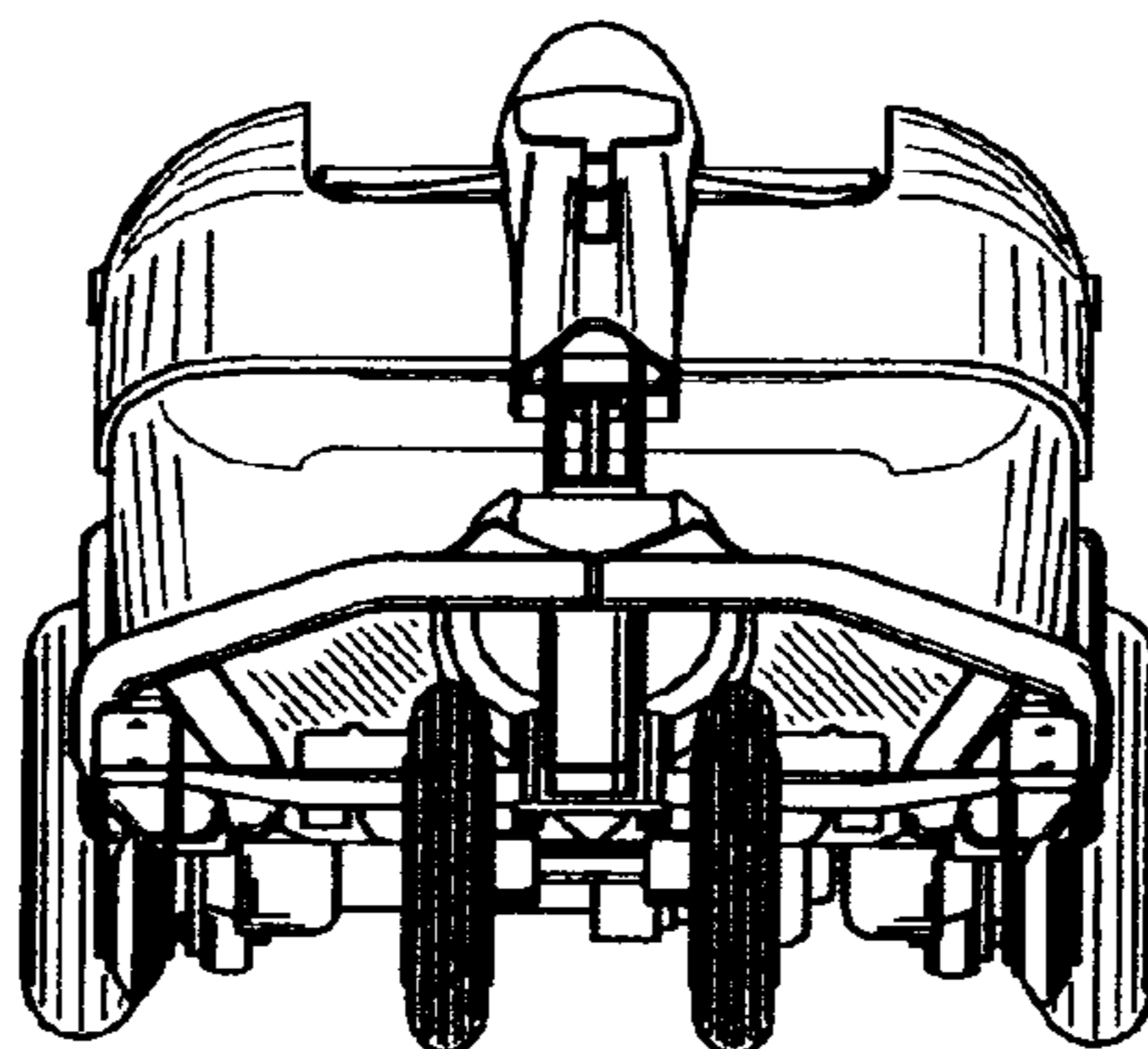


FIG. 20

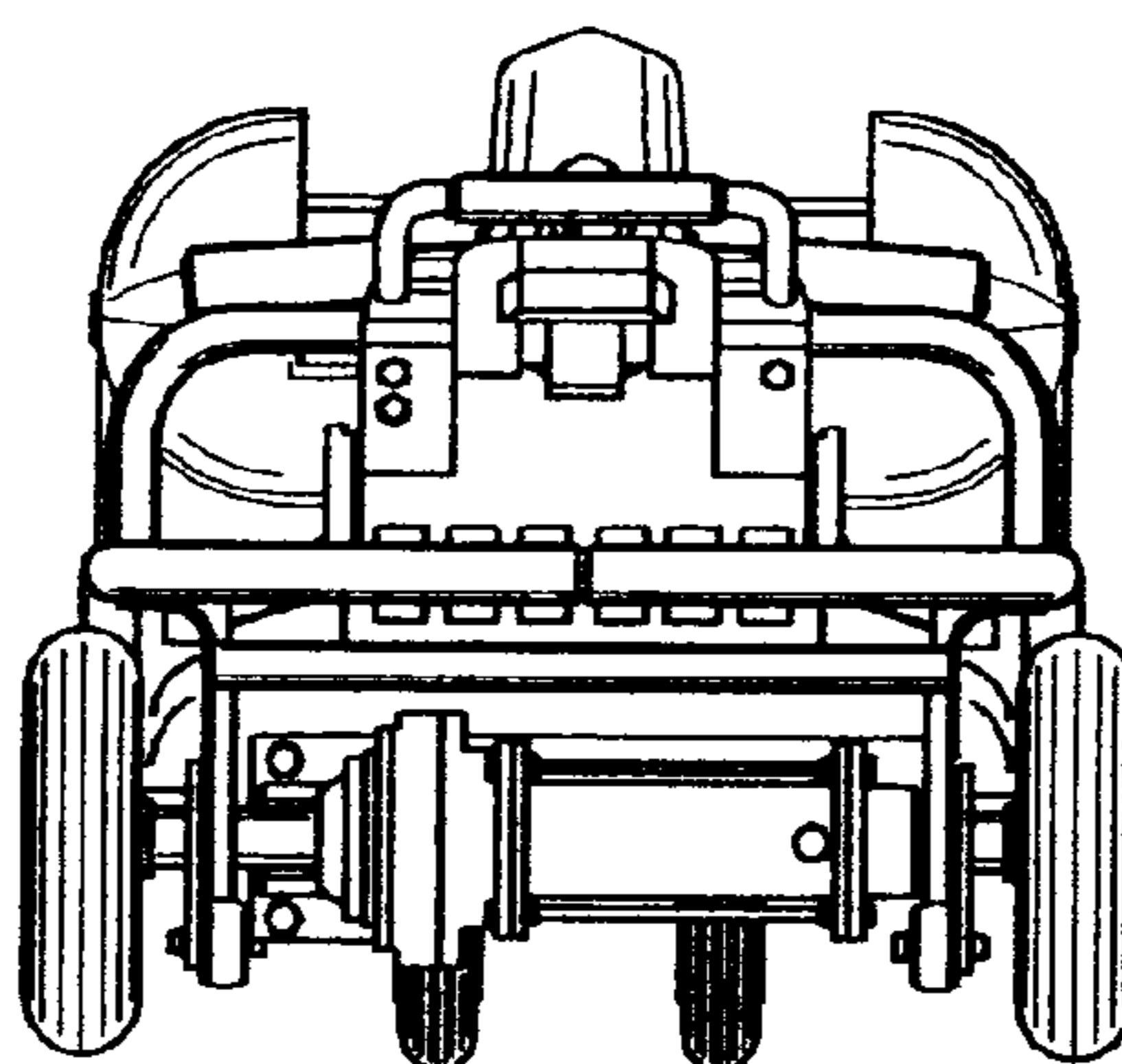


FIG. 21