

US00D531093S

(12) **United States Design Patent**  
**Matsumura et al.**

(10) **Patent No.:** **US D531,093 S**  
(45) **Date of Patent:** **\*\* Oct. 31, 2006**

(54) **COVER FOR A MOTORCYCLE EXHAUST SILENCER**

*Primary Examiner*—Alan P. Douglas  
*Assistant Examiner*—Linda Brooks

(75) Inventors: **Norikazu Matsumura**, Akashi (JP);  
**Takeshi Miyatake**, Kakogawa (JP);  
**Keishi Fukumoto**, Akashi (JP)

(57) **CLAIM**

The ornamental design for a cover for a motorcycle exhaust silencer, as shown and described.

(73) Assignee: **Kawasaki Jukogyo Kabushiki Kaisha**,  
Hyogo (JP)

**DESCRIPTION**

(\*\*) Term: **14 Years**

(21) Appl. No.: **29/223,011**

(22) Filed: **Feb. 8, 2005**

(51) **LOC (8) Cl.** ..... **12-11**

(52) **U.S. Cl.** ..... **D12/126**

(58) **Field of Classification Search** ..... D12/110,  
D12/126, 181, 186, 190, 194, 114; 280/152.1–152.3,  
280/288.2, 850, 160.1, 852; 180/219, 296,  
180/309; 60/302, 313, 323; 138/37, 109;  
293/105; 181/211, 214, 217, 222, 227–229,  
181/241, 264, 282, 277–280, 284–293

See application file for complete search history.

FIG. 1 is a front elevational view of a cover for a motorcycle exhaust silencer showing our new design;

FIG. 2 is a rear elevational view thereof;

FIG. 3 is a right side elevational view thereof;

FIG. 4 is a left side elevational view thereof;

FIG. 5 is a top plan view thereof;

FIG. 6 is a bottom plan view thereof;

FIG. 7 is an end view taken along line VII—VII in FIG. 1;

FIG. 8 is an end view taken along line VIII—VIII in FIG. 1;

and

FIG. 9 is a perspective view of the cover for a motorcycle exhaust silencer; and,

FIG. 10 is a perspective view of a cover for a motorcycle exhaust silencer, shown on a reduced scale and in a position of use from the left rear side of a motorcycle.

The broken line showing of the environment is for illustrative purposes only and forms no part of the claimed design.

The portion encompassed by a solid line showing a cover for a motorcycle exhaust silencer is the design sought to be patented.

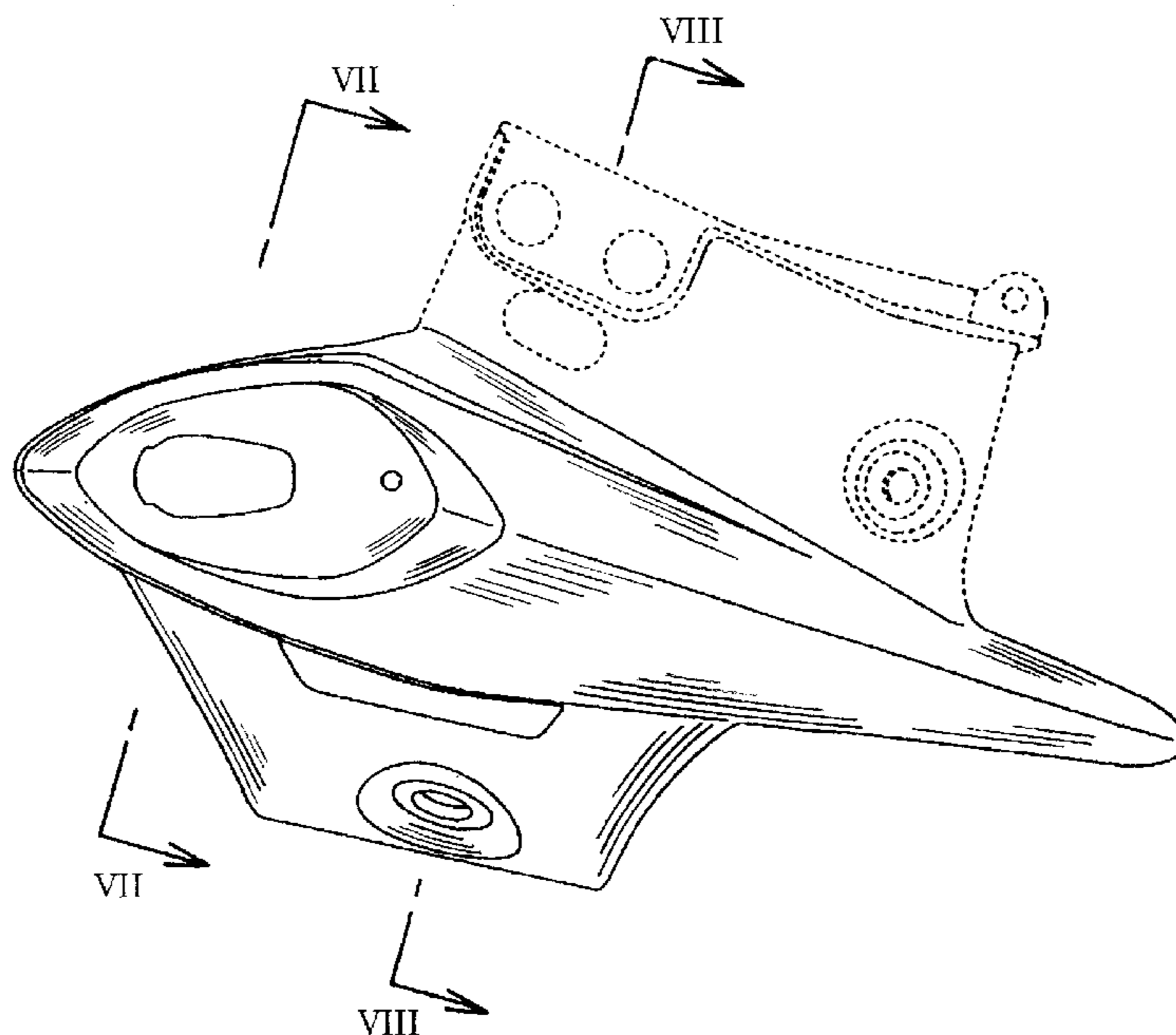
(56) **References Cited**

U.S. PATENT DOCUMENTS

6,158,214	A	*	12/2000	Kempka et al.	.....	60/302
6,318,743	B1	*	11/2001	Nakashima et al.	.....	280/152.1
D463,328	S	*	9/2002	Sawabe	.....	D12/126
6,695,330	B1	*	2/2004	Hata	.....	280/152.3

\* cited by examiner

**1 Claim, 6 Drawing Sheets**



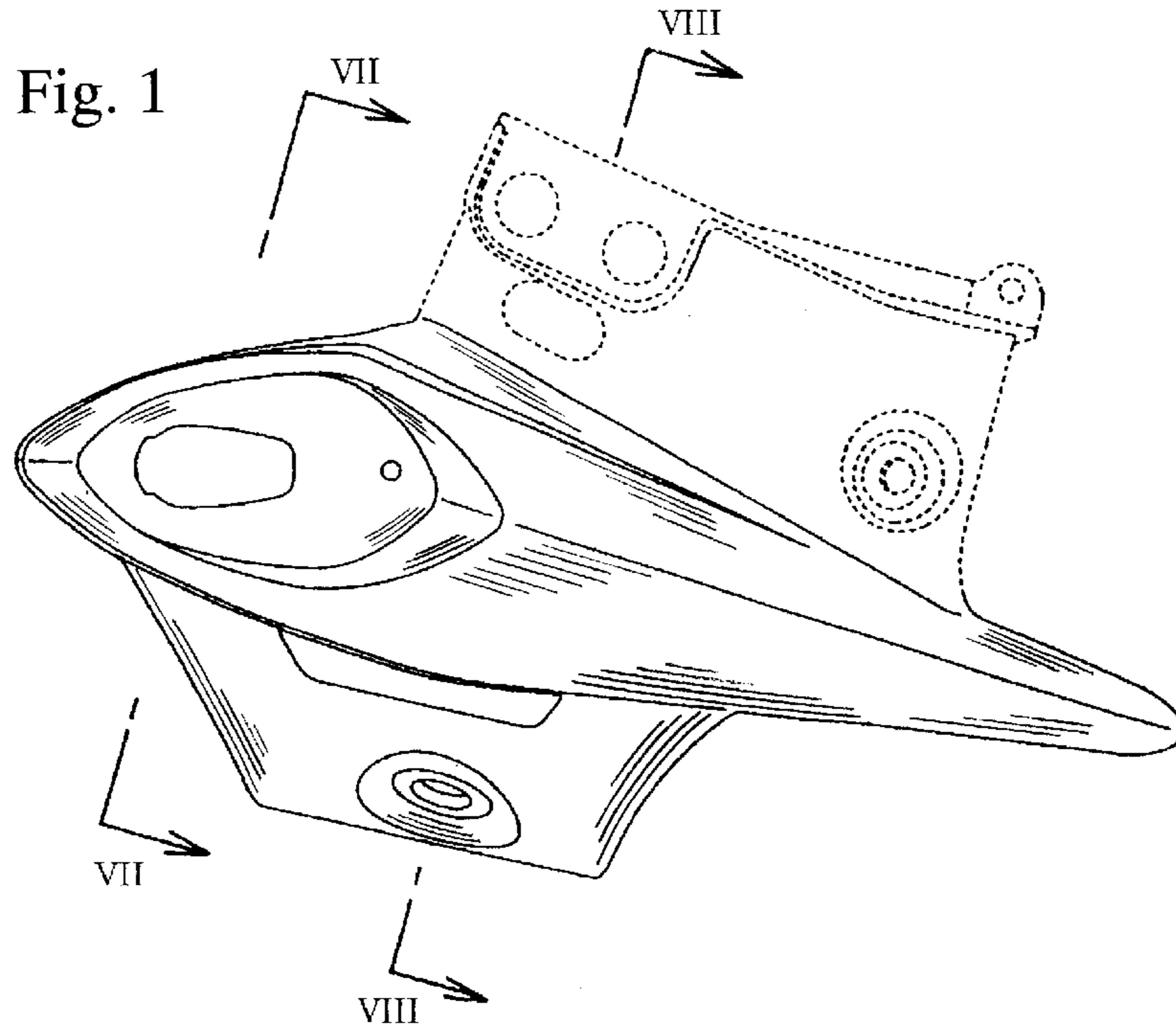


Fig. 2

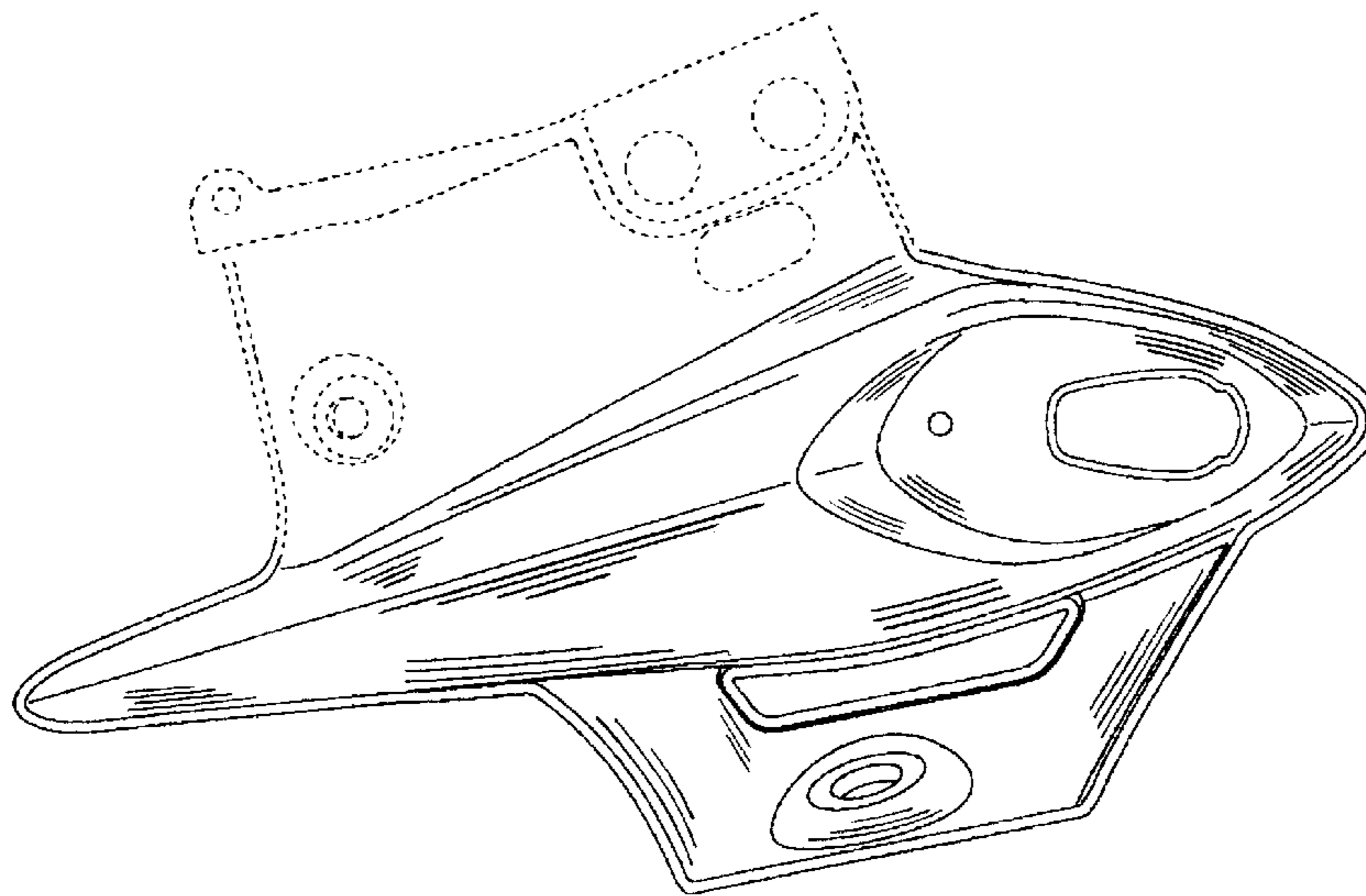


Fig. 3

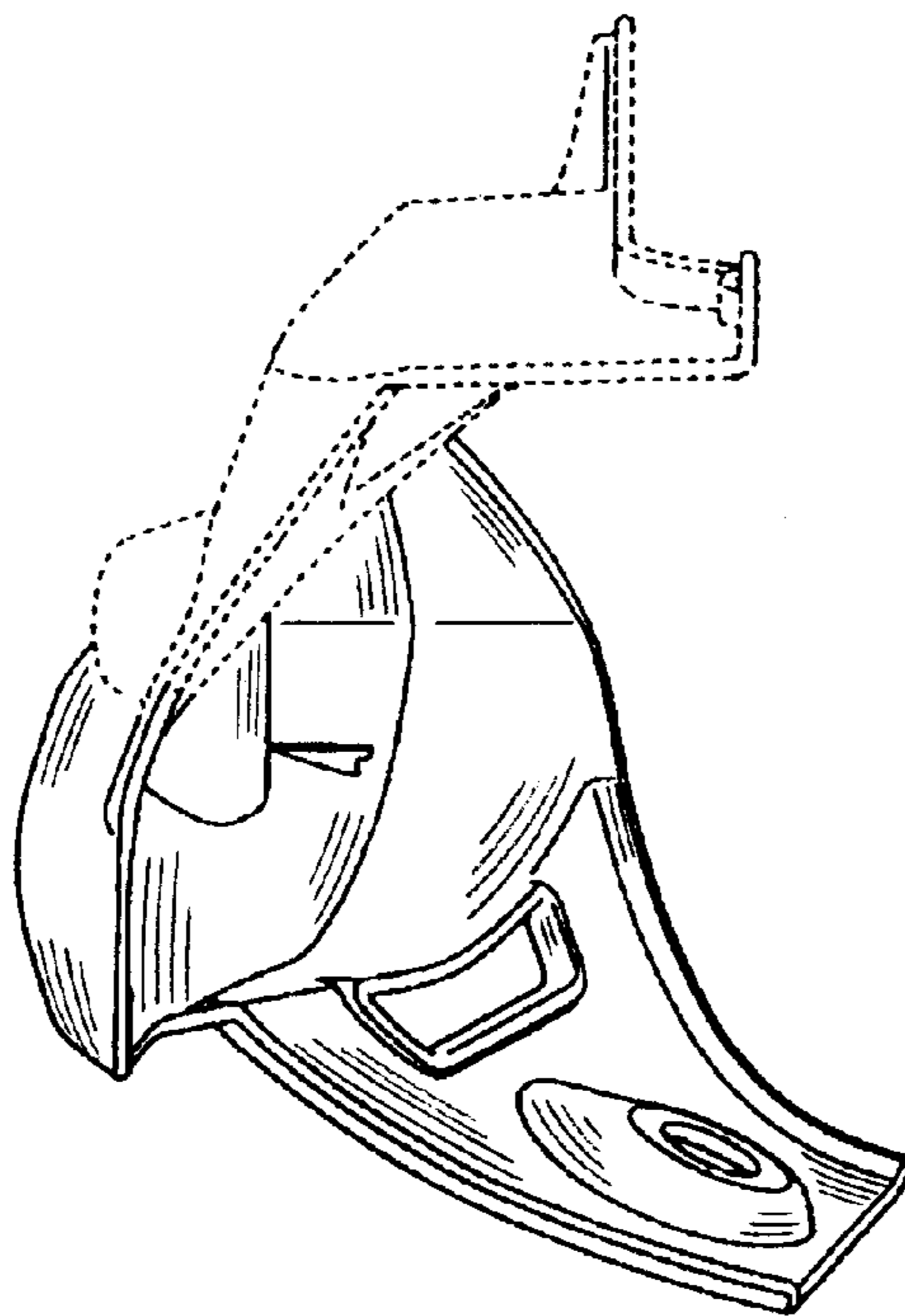


Fig. 4

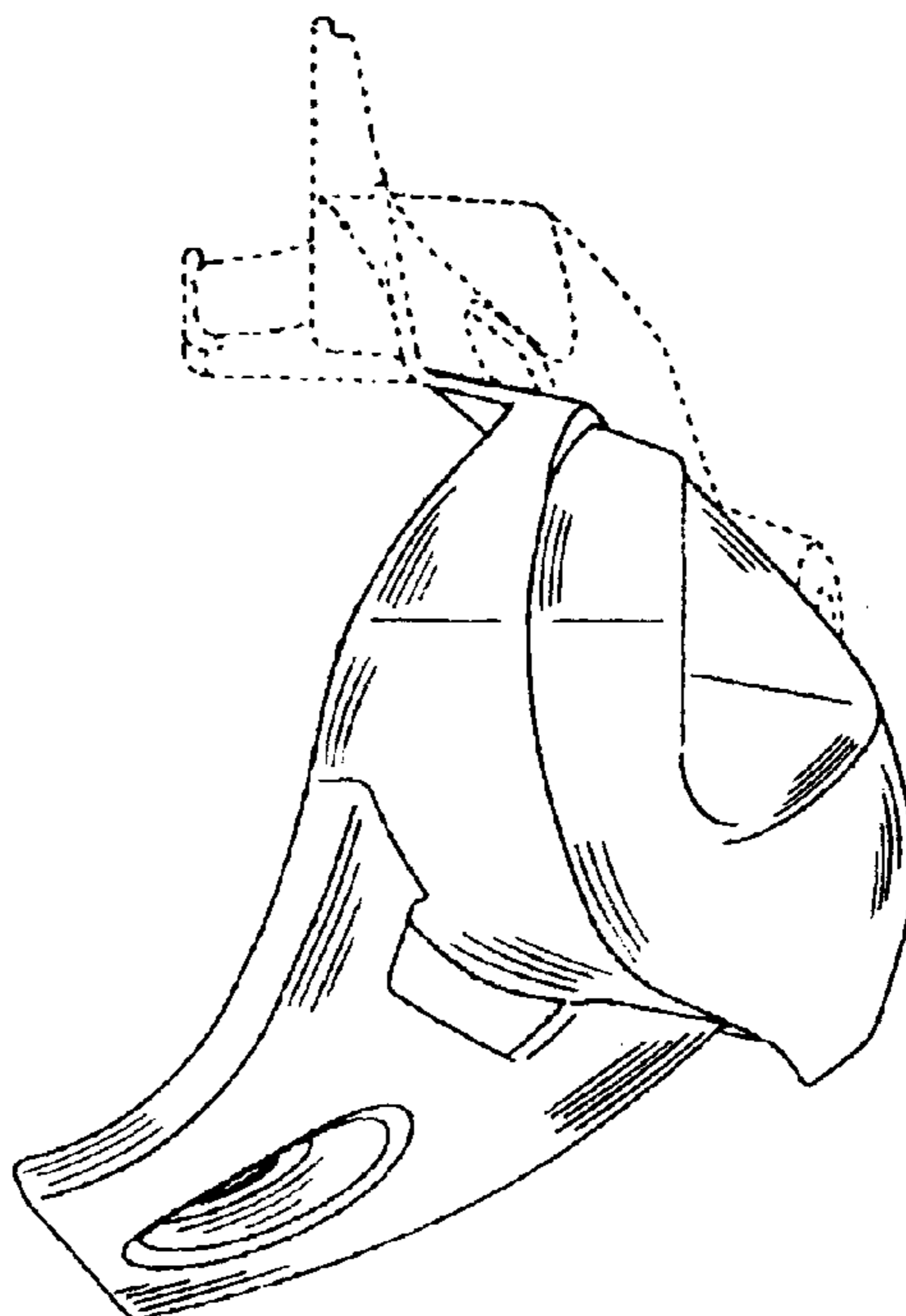


Fig. 5

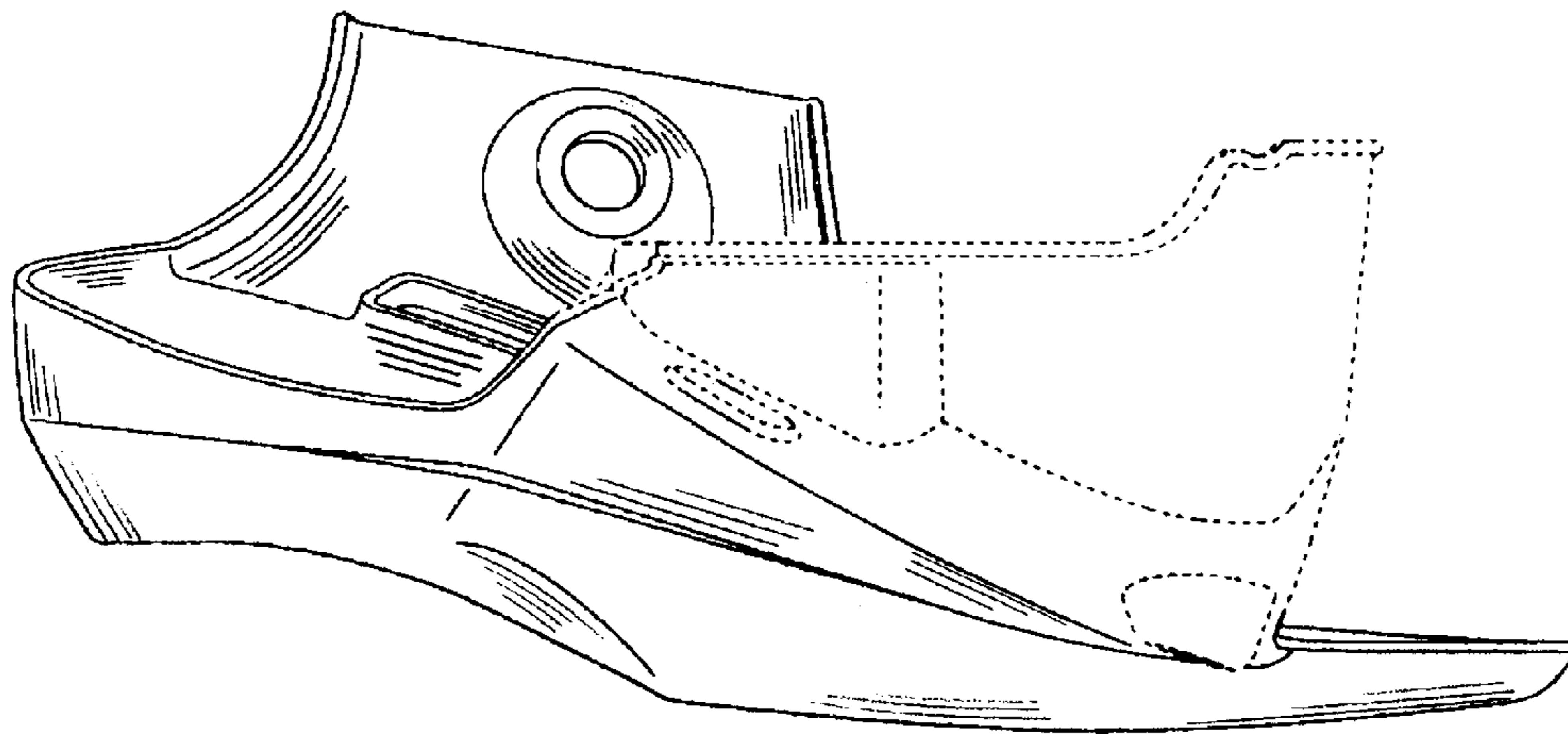


Fig. 6

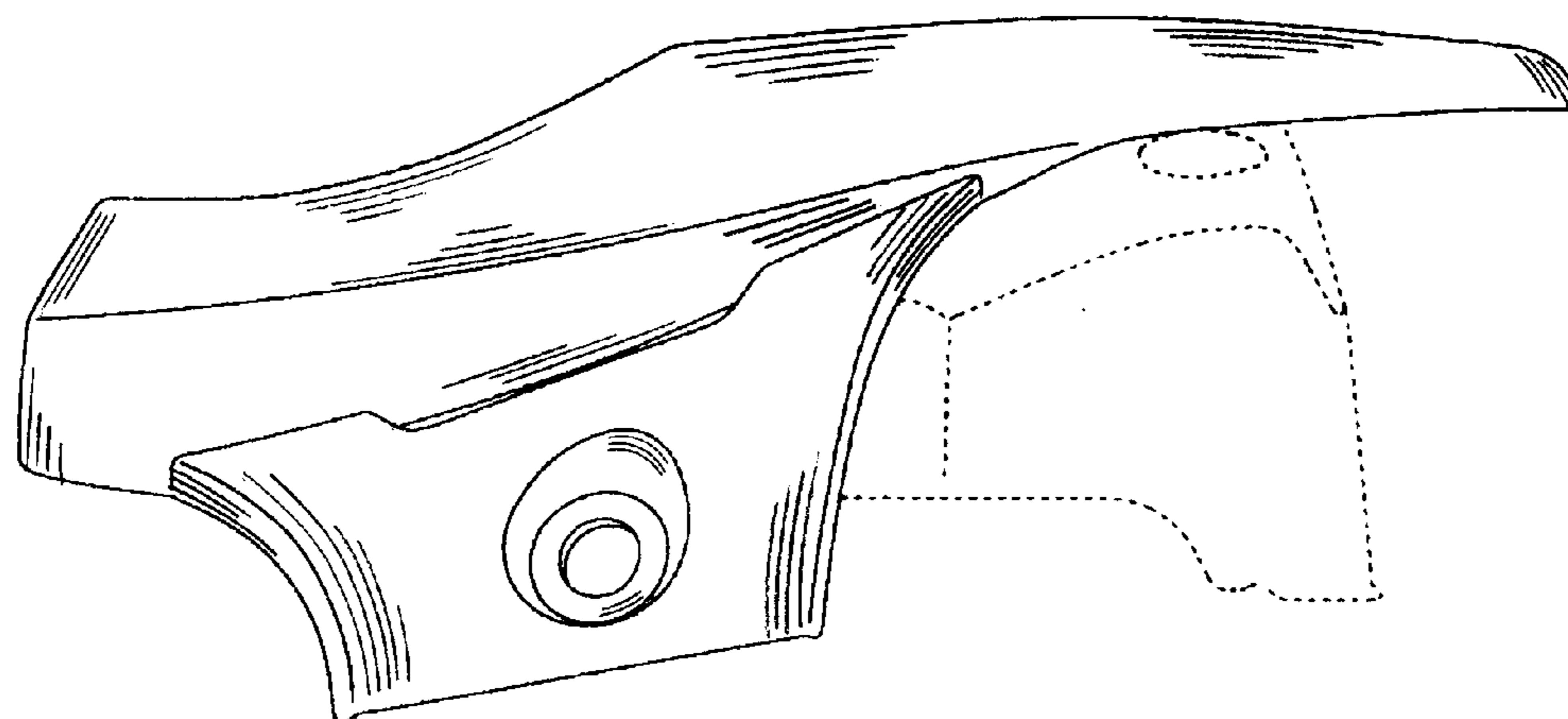


Fig. 7

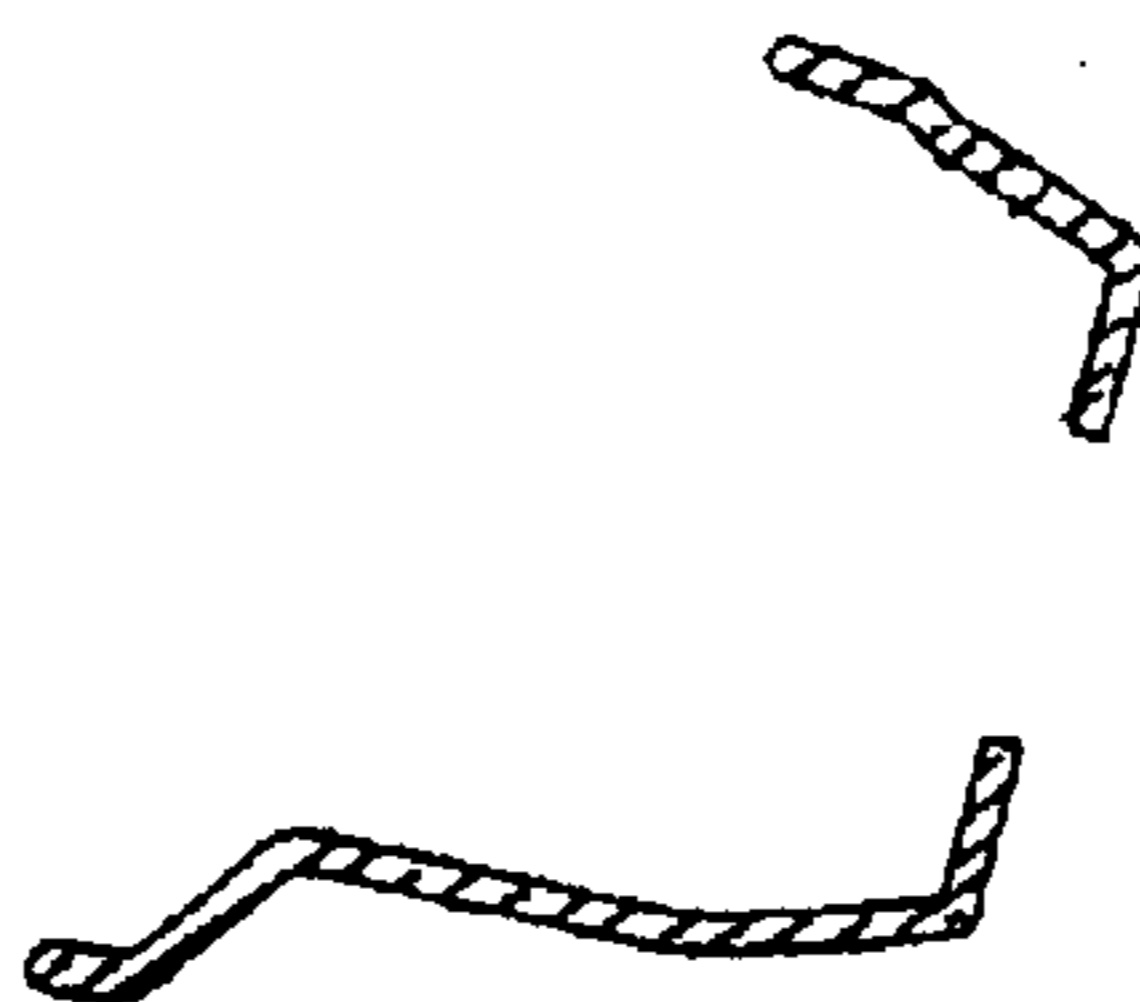


Fig. 8

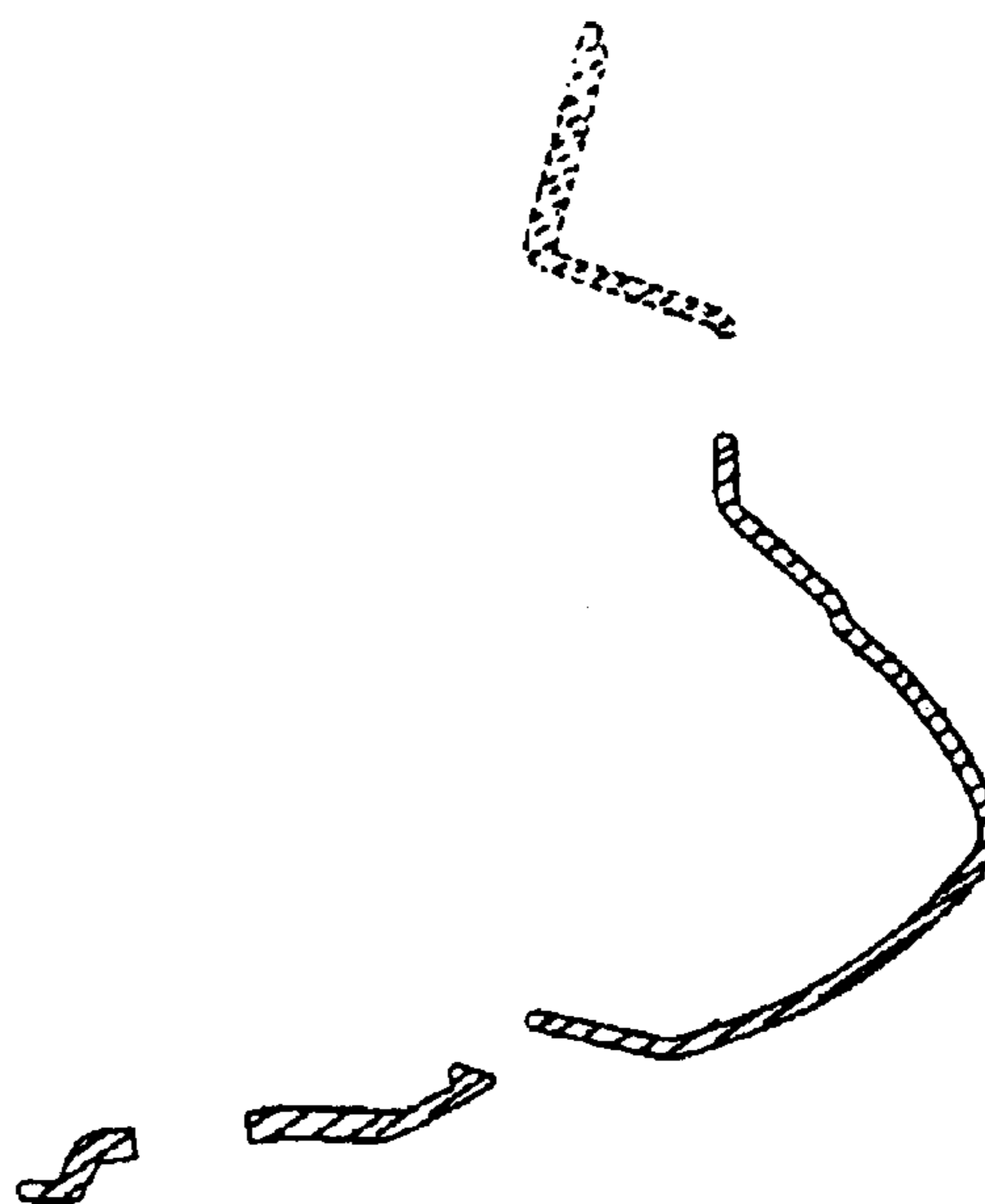


Fig. 9

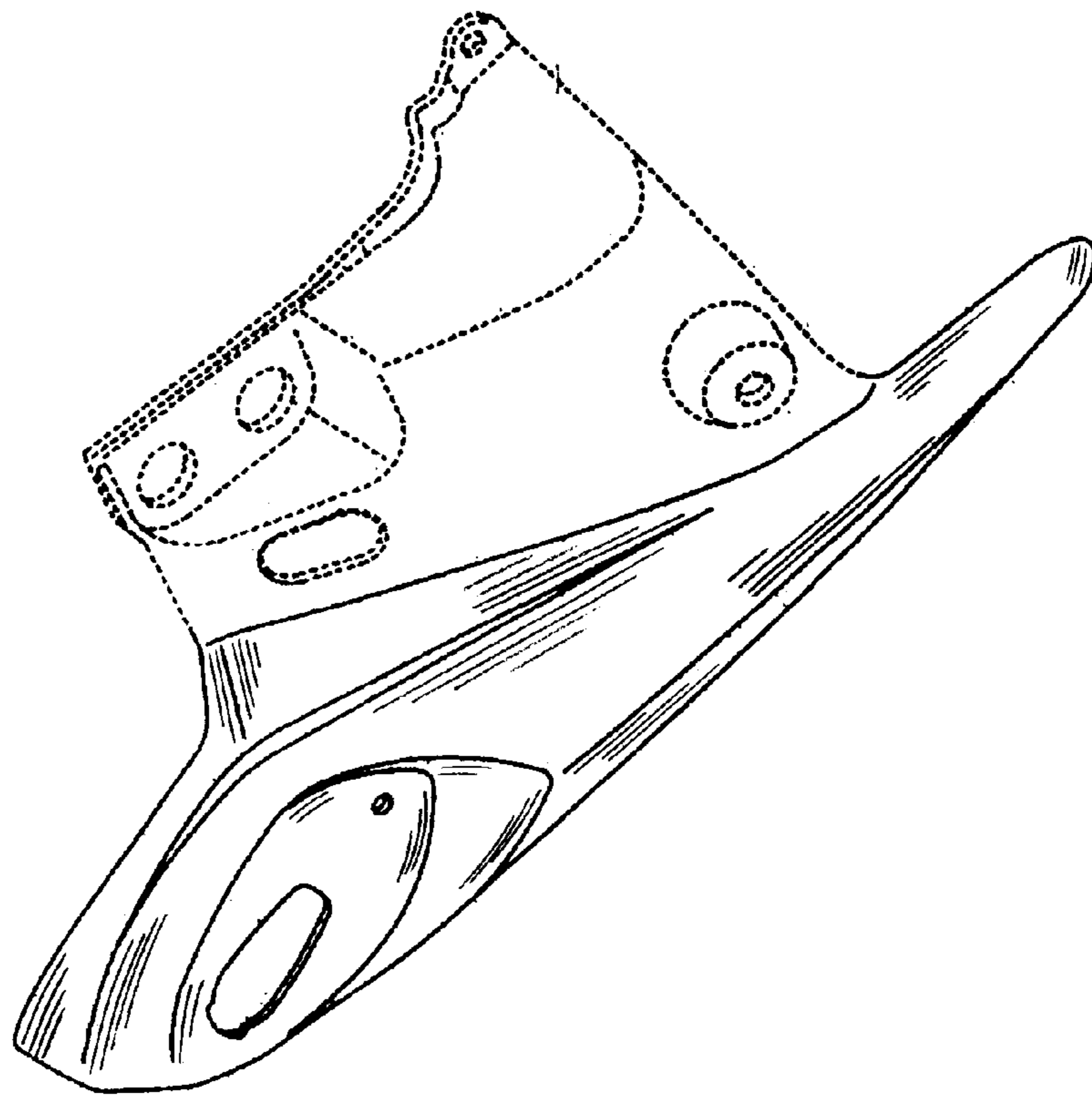


Fig. 10

