



US00D531092S

(12) **United States Design Patent**  
**Stahel et al.**

(10) **Patent No.:** **US D531,092 S**  
(45) **Date of Patent:** **\*\* Oct. 31, 2006**

(54) **MOTORCYCLE FOLDING FLOORBOARD AND SHIFTER**

(75) Inventors: **Alwin J. Stahel**, St. Paul, MN (US);  
**Brian K. Stahel**, New Brighton, MN (US)

(73) Assignee: **Kuryakyn Holdings, Inc.**, Somerset, WI (US)

(\*\*) Term: **14 Years**

(21) Appl. No.: **29/227,680**

(22) Filed: **Apr. 14, 2005**

(51) **LOC (8) Cl.** ..... **12-11**

(52) **U.S. Cl.** ..... **D12/114**

(58) **Field of Classification Search** ..... D12/110,  
D12/114, 122, 125, 203; 280/288.1, 291,  
280/163, 164.1; 74/564, 512, 478, 560, 562.5,  
74/594.4, 594.7, 143, 337.5, 473.16, 473.17,  
74/531, 478.5; 180/219, 230; 296/75

See application file for complete search history.

(56) **References Cited**

**U.S. PATENT DOCUMENTS**

4,174,852	A	11/1979	Panzica et al.	.....	280/291
D270,823	S	* 10/1983	Mounts	.....	D12/114
4,802,684	A	2/1989	Bennett et al.	.....	280/291
6,481,080	B1	11/2002	Monson	.....	29/401.1
6,688,628	B1	2/2004	Burkett	.....	280/291

**OTHER PUBLICATIONS**

Kuryakyn Holdings, Inc. 2003 Catalog, pp. 37-47, Published Feb. 2003.

\* cited by examiner

*Primary Examiner*—Alan P. Douglas

*Assistant Examiner*—Linda Brooks

(74) *Attorney, Agent, or Firm*—Dicke, Billig & Czaja, PLLC

(57) **CLAIM**

The ornamental design for a motorcycle folding floorboard and shifter, as shown and described.

**DESCRIPTION**

FIG. 1 is a perspective view of a motorcycle folding floorboard and shifter embodying our new design.

FIG. 2 is a top plan view;

FIG. 3 is a bottom plan view thereof;

FIG. 4 is a right side view thereof;

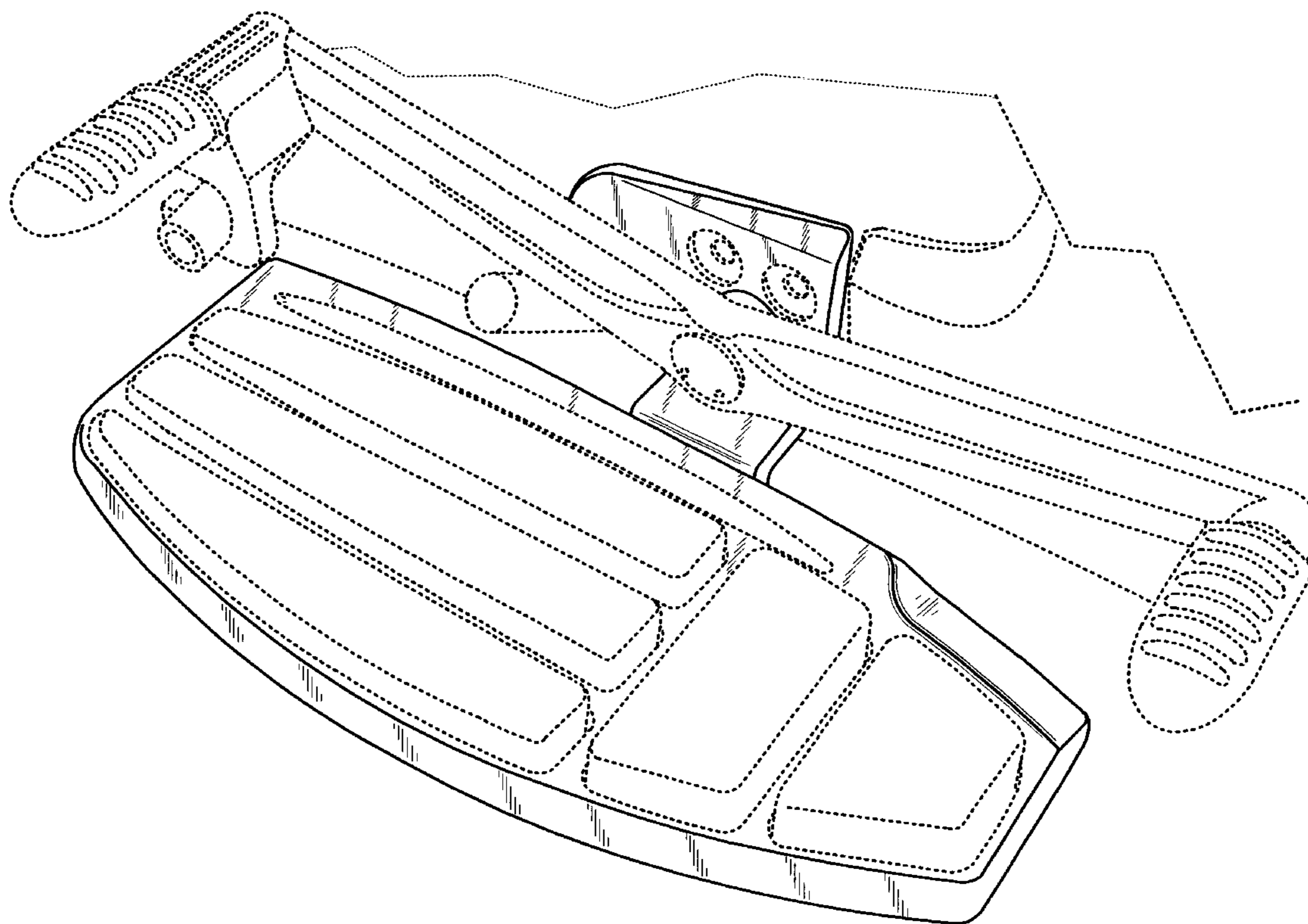
FIG. 5 is a left side view thereof;

FIG. 6 is a front elevational view thereof; and,

FIG. 7 is a bottom plan view thereof.

The broken lines immediately adjacent the shaded areas represent the boundaries of the claimed design and form no part thereof, while the other broken lines shown environment and form no part of the claimed design.

**1 Claim, 7 Drawing Sheets**



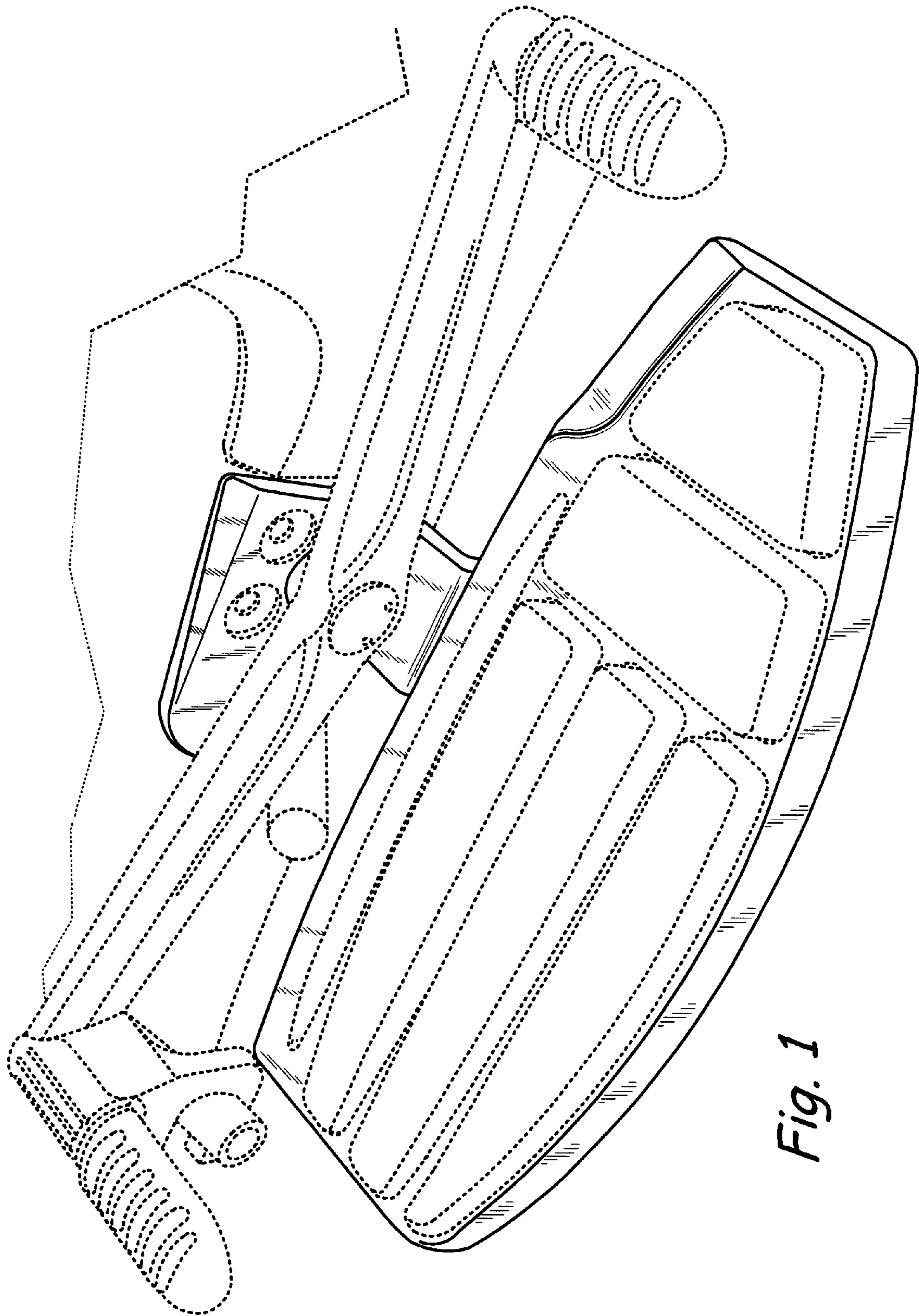


Fig. 1

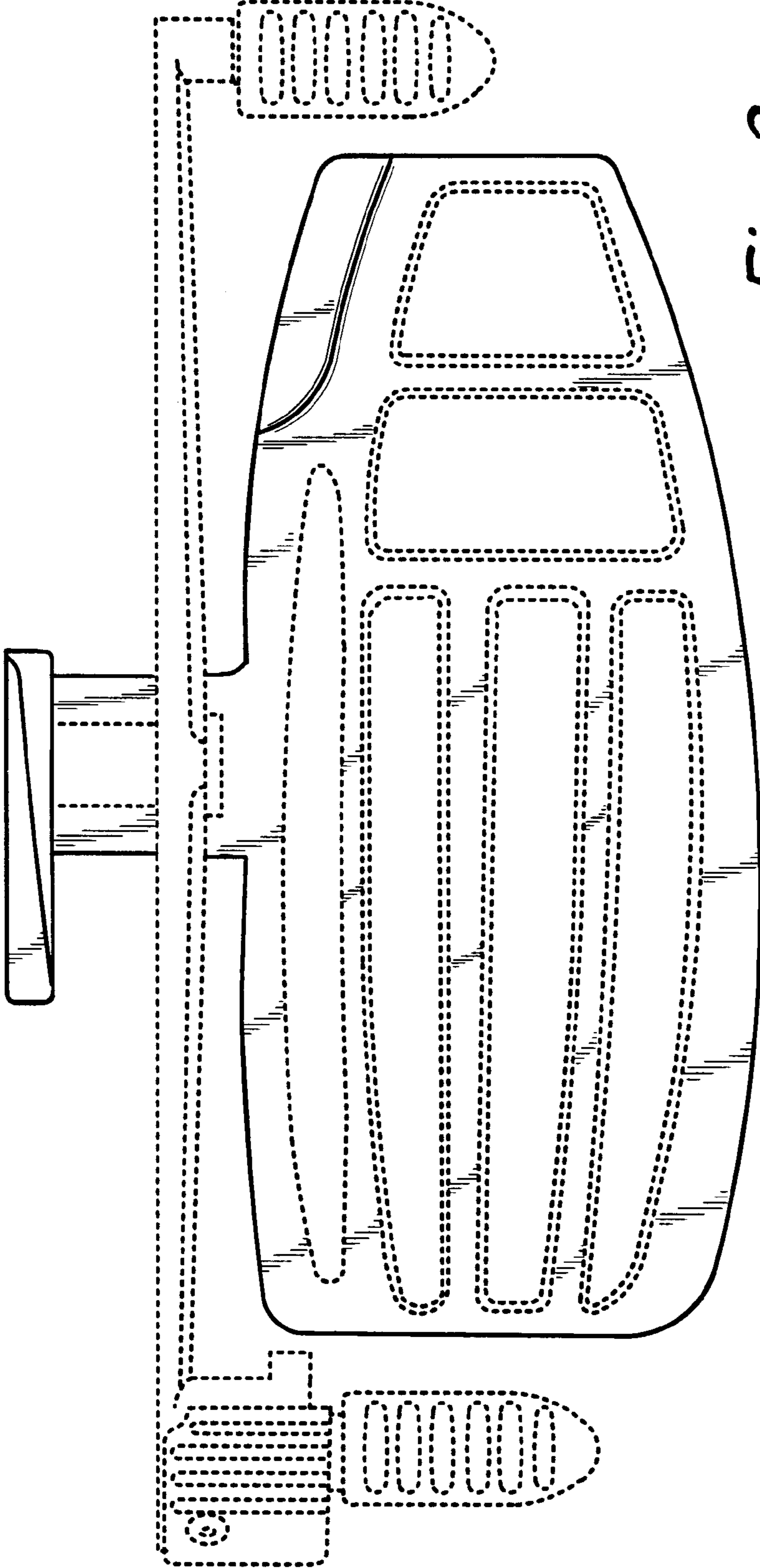
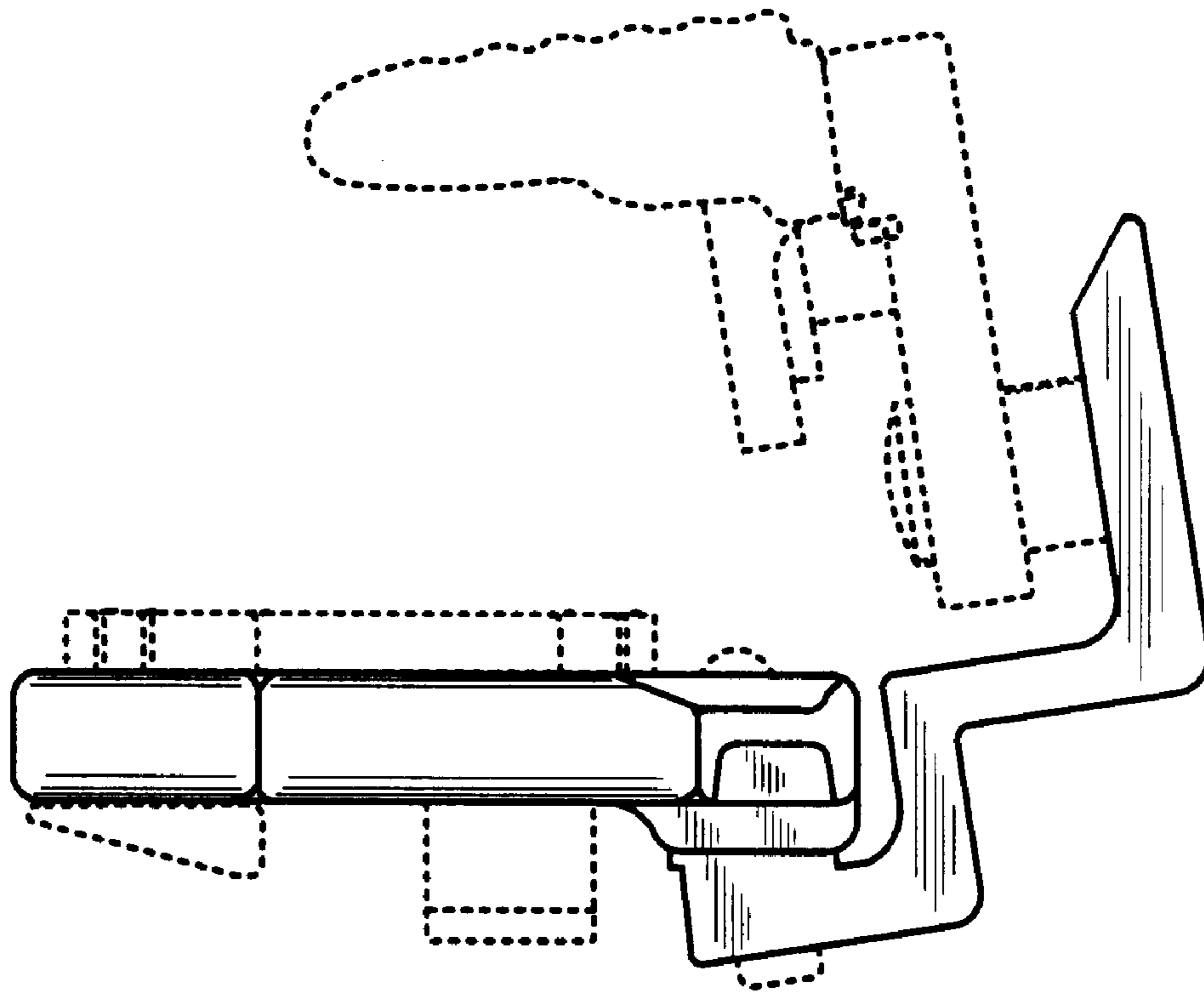
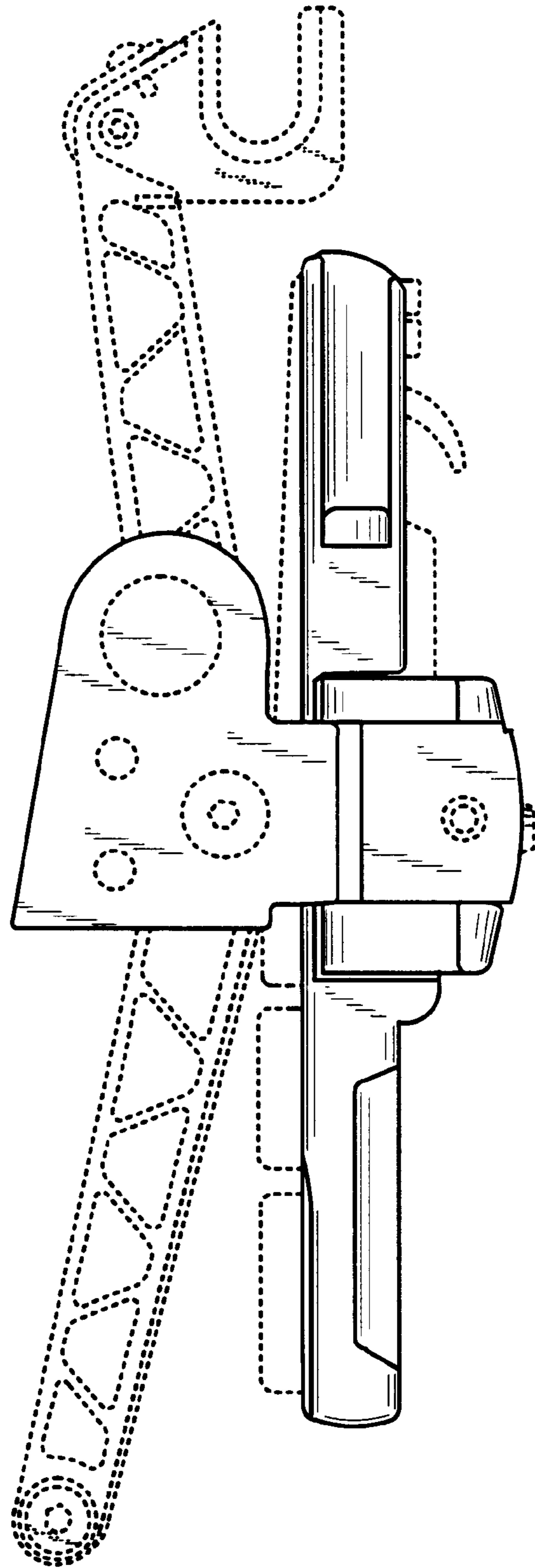


Fig. 2

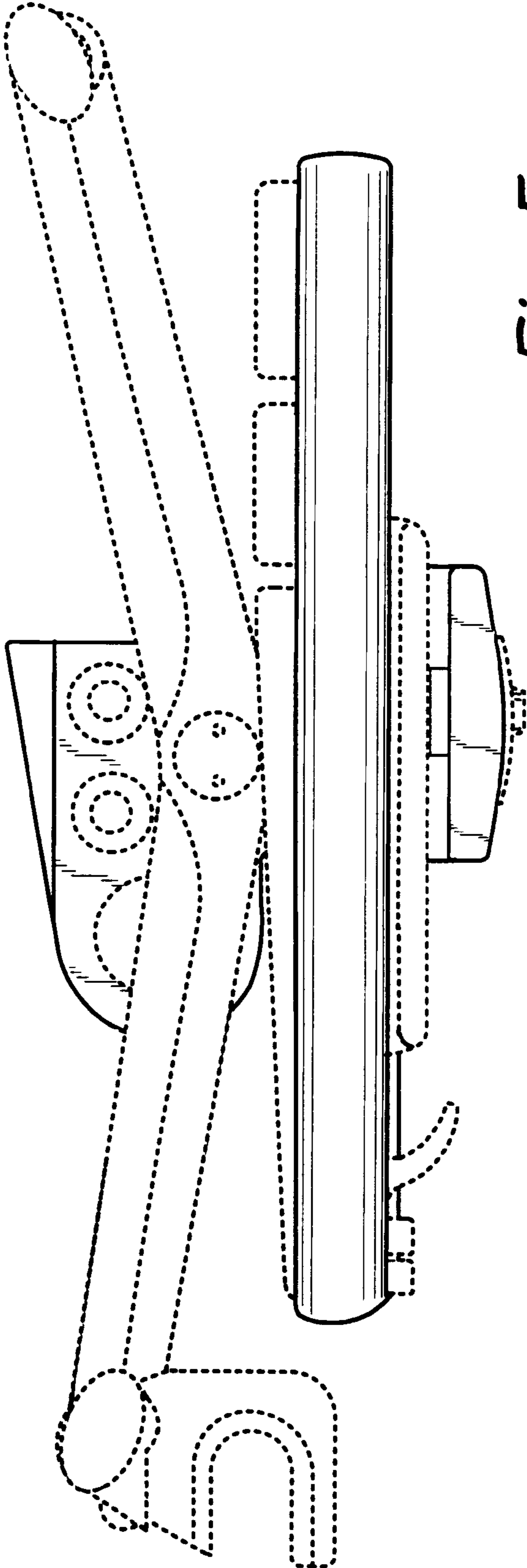


*Fig. 3*

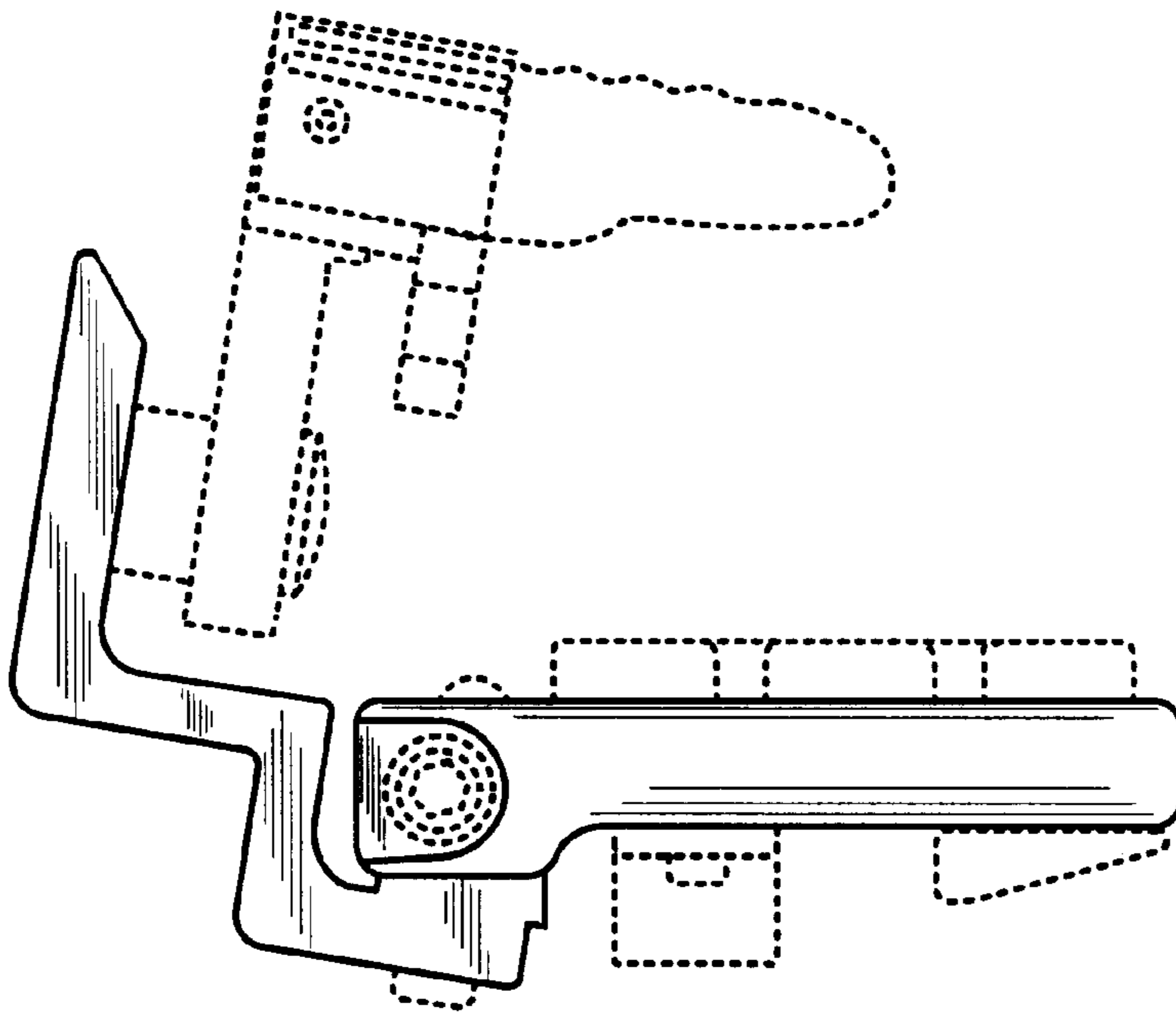




*Fig. 4*



*Fig. 5*



*Fig. 6*

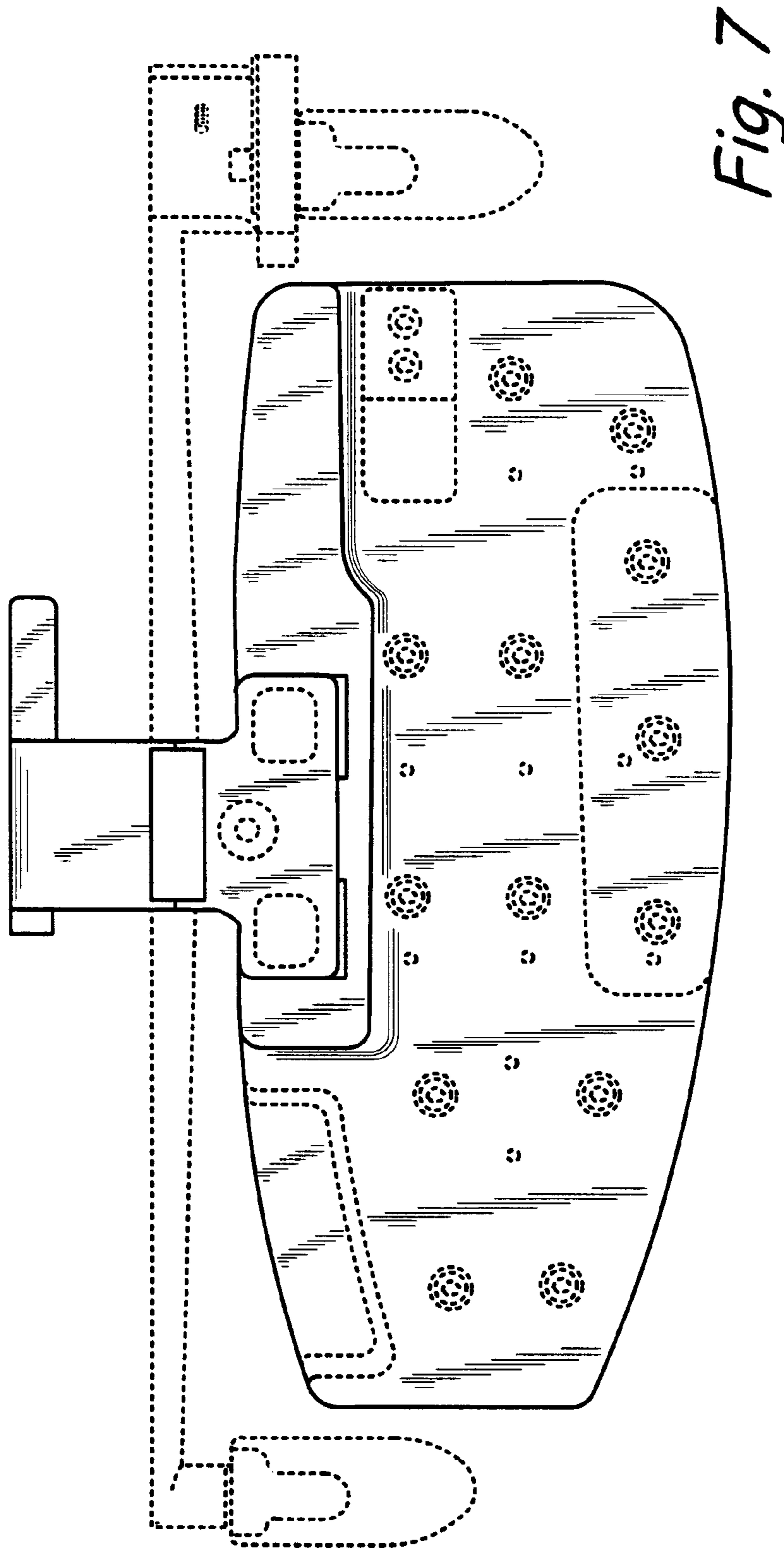


Fig. 7