



US00D531091S

(12) **United States Design Patent**  
**Iimura**

(10) **Patent No.:** **US D531,091 S**  
(45) **Date of Patent:** **\*\* Oct. 31, 2006**

(54) **MOTORCYCLE**

D516,468 S \* 3/2006 Kuboshima et al. .... D12/110

(75) Inventor: **Takeshi Iimura**, Tokyo-to (JP)

\* cited by examiner

(73) Assignee: **Yamaha Hatsudoki Kabushiki Kaisha**  
(JP)

*Primary Examiner*—Alan P. Douglas

*Assistant Examiner*—Linda Brooks

(\*\*) Term: **14 Years**

(74) *Attorney, Agent, or Firm*—Ostrolenk, Faber, Gerb & Soffen, LLP

(21) Appl. No.: **29/237,445**

(57) **CLAIM**

(22) Filed: **Aug. 31, 2005**

The ornamental design for a motorcycle, as shown.

(51) **LOC (8) Cl.** ..... **12-11**

(52) **U.S. Cl.** ..... **D12/110**

(58) **Field of Classification Search** ..... D12/110;  
180/219, 220, 225, 229

**DESCRIPTION**

See application file for complete search history.

FIG. 1 is front, left side perspective view of a motorcycle showing my new design;

FIG. 2 is a left side view thereof;

FIG. 3 is a right side view thereof;

FIG. 4 is a front view thereof;

FIG. 5 is a rear view thereof;

FIG. 6 is a top view thereof; and,

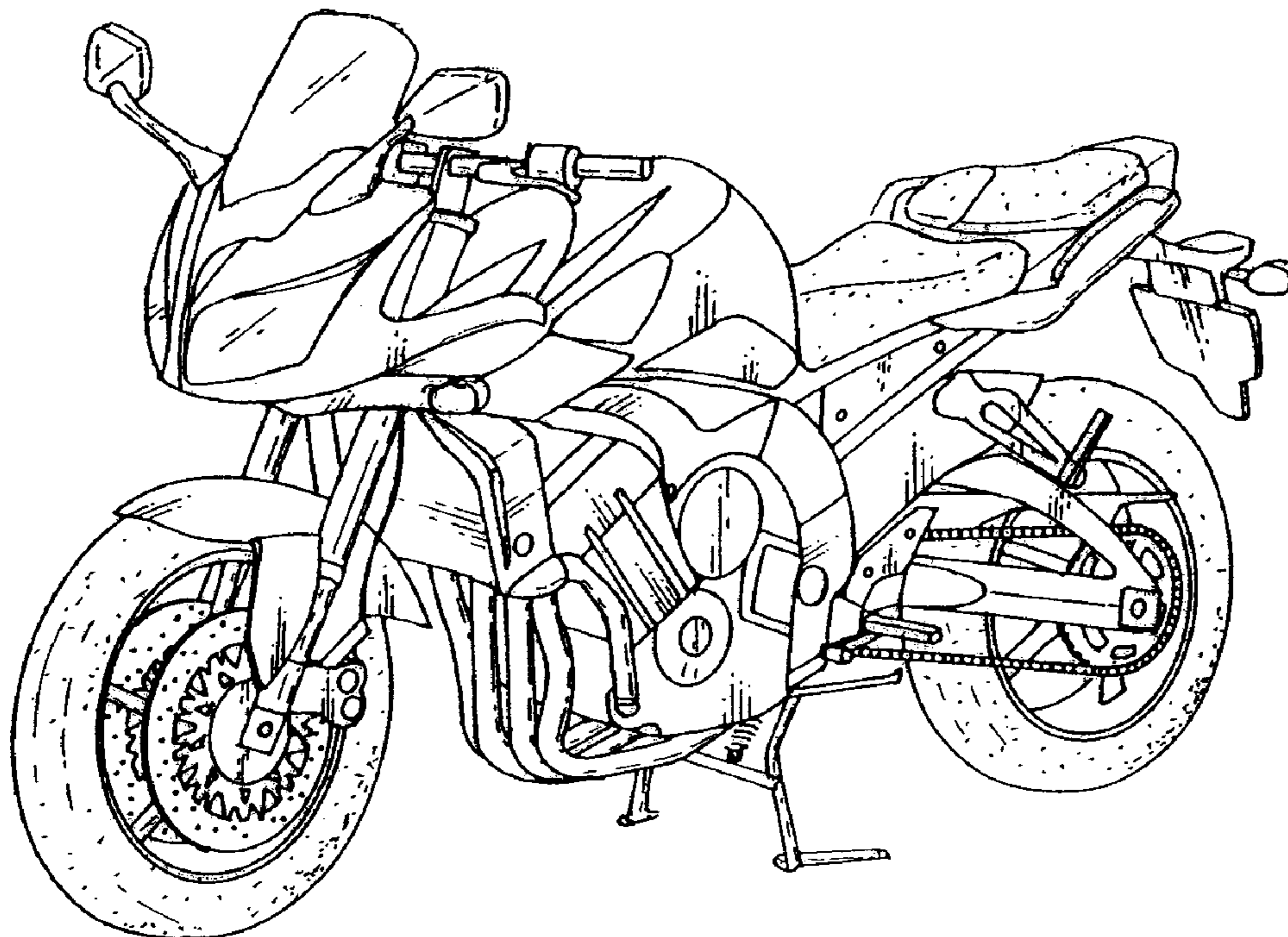
FIG. 7 is a bottom view thereof.

(56) **References Cited**

**U.S. PATENT DOCUMENTS**

D288,796 S \* 3/1987 Nakano et al. .... D12/110

**1 Claim, 4 Drawing Sheets**



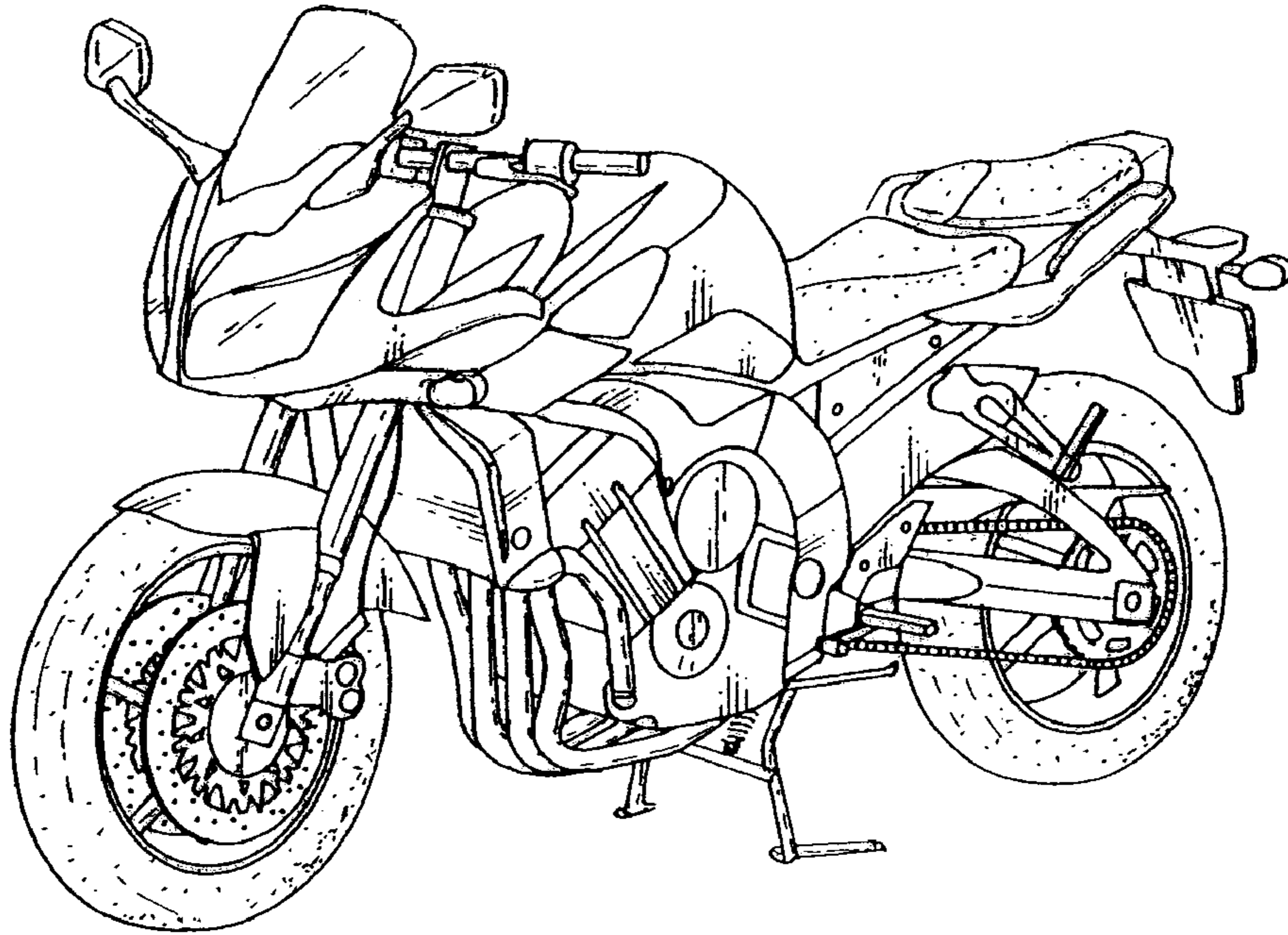


Fig. 1

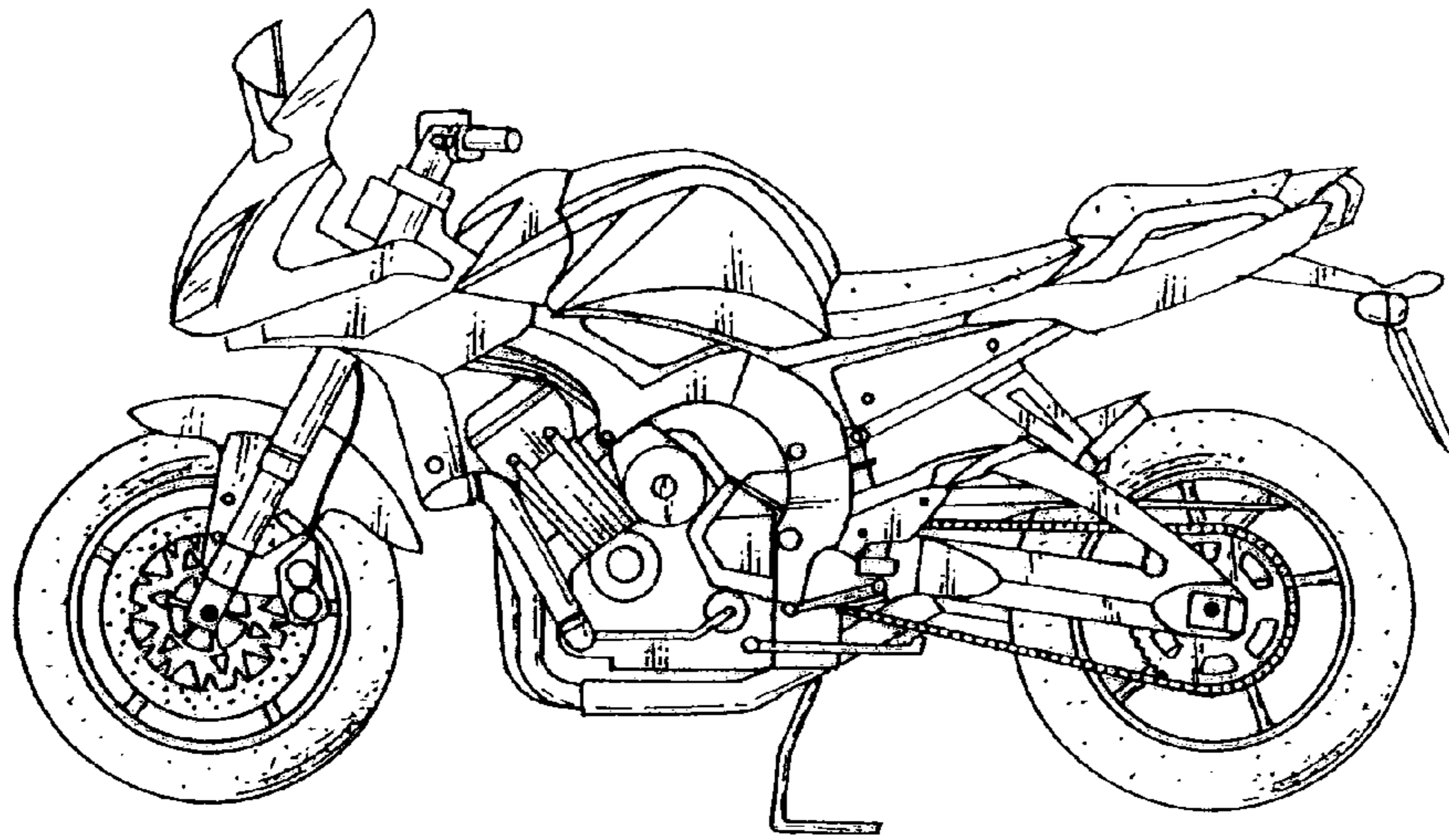


Fig. 2

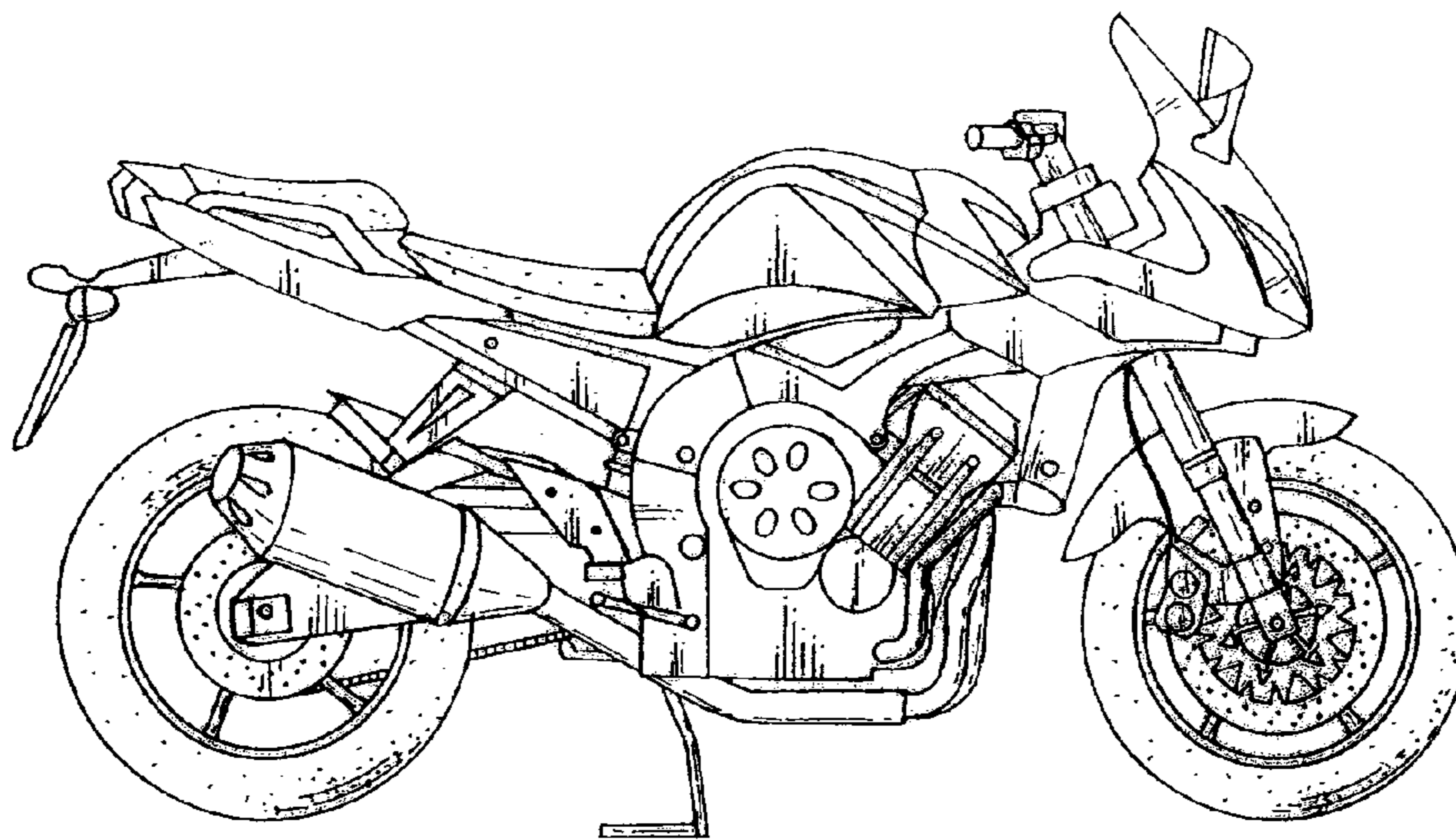


Fig. 3



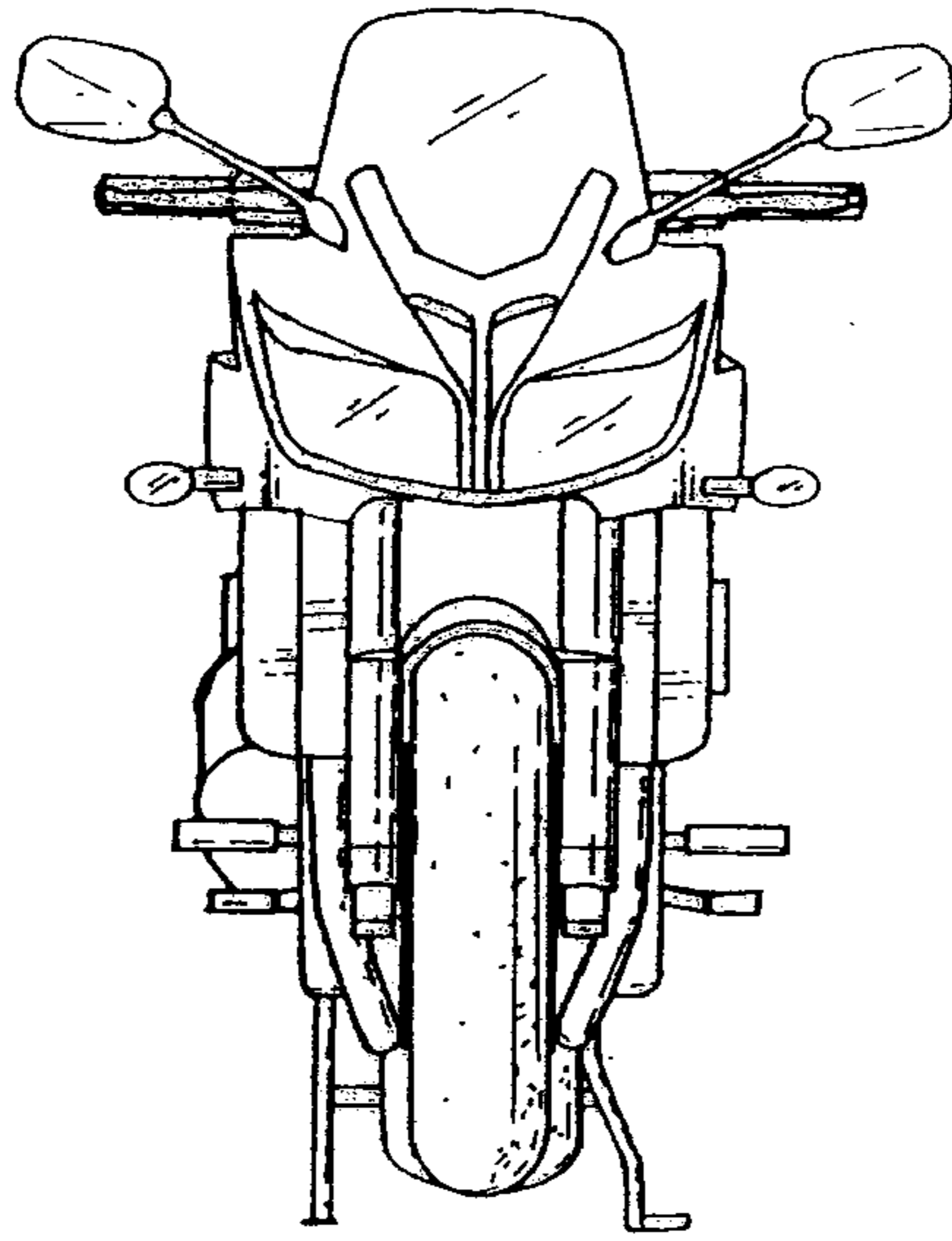


Fig. 4

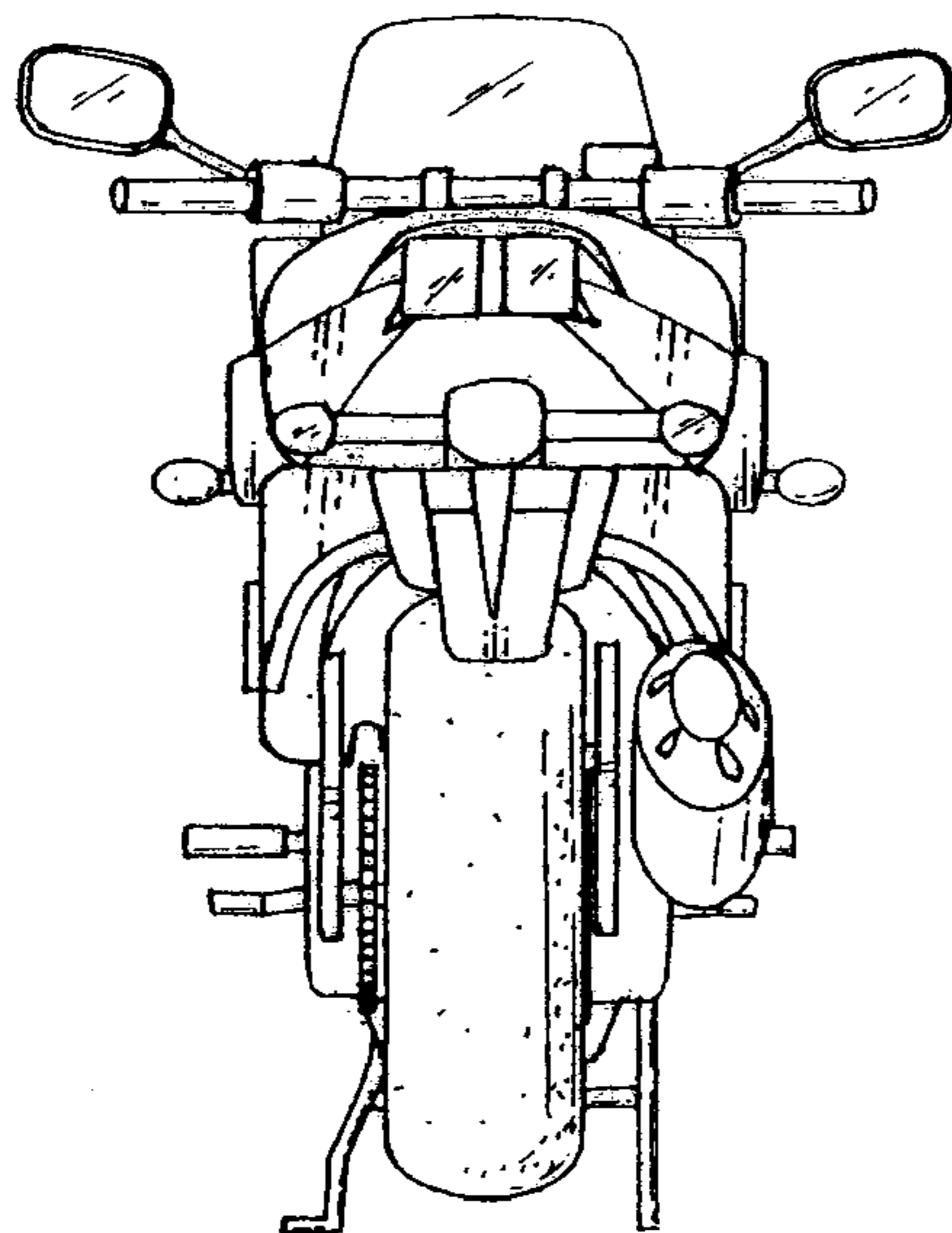


Fig. 5

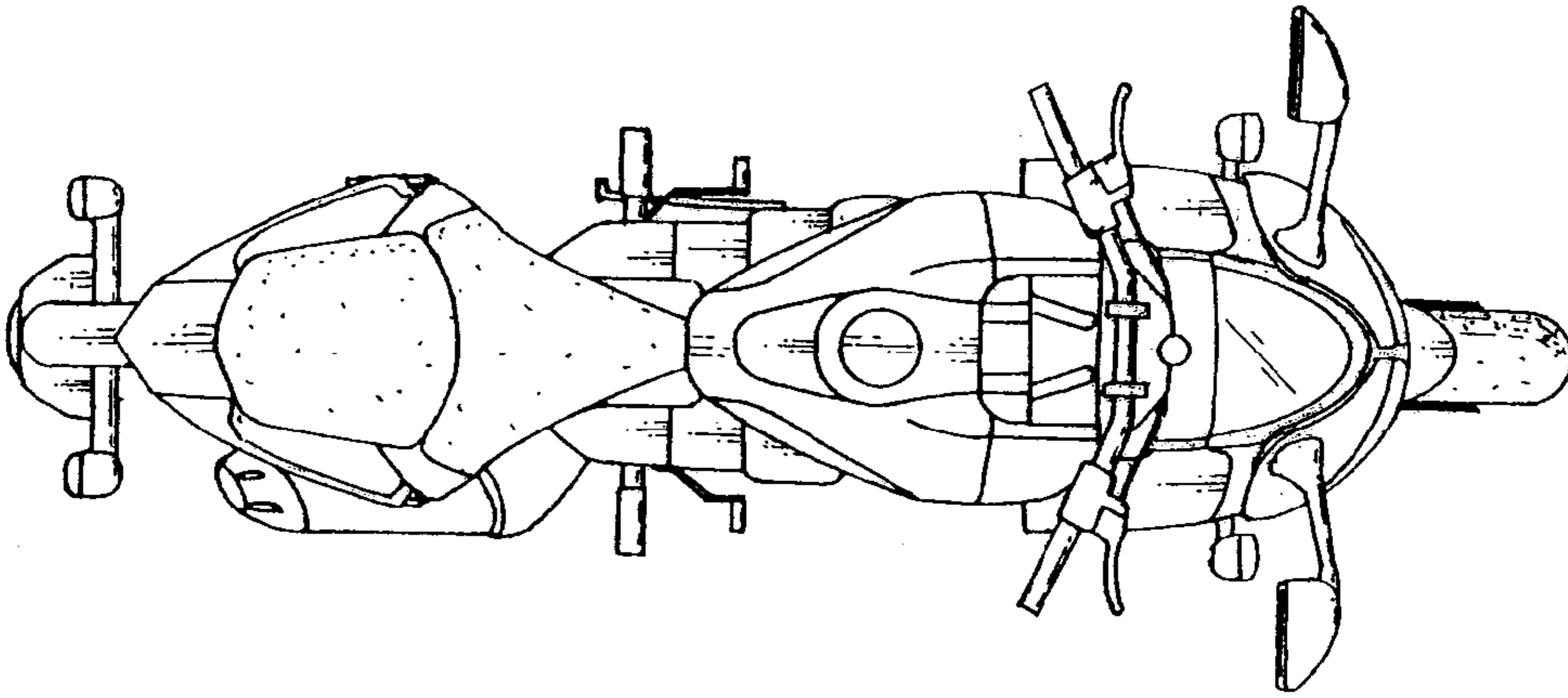


Fig. 6

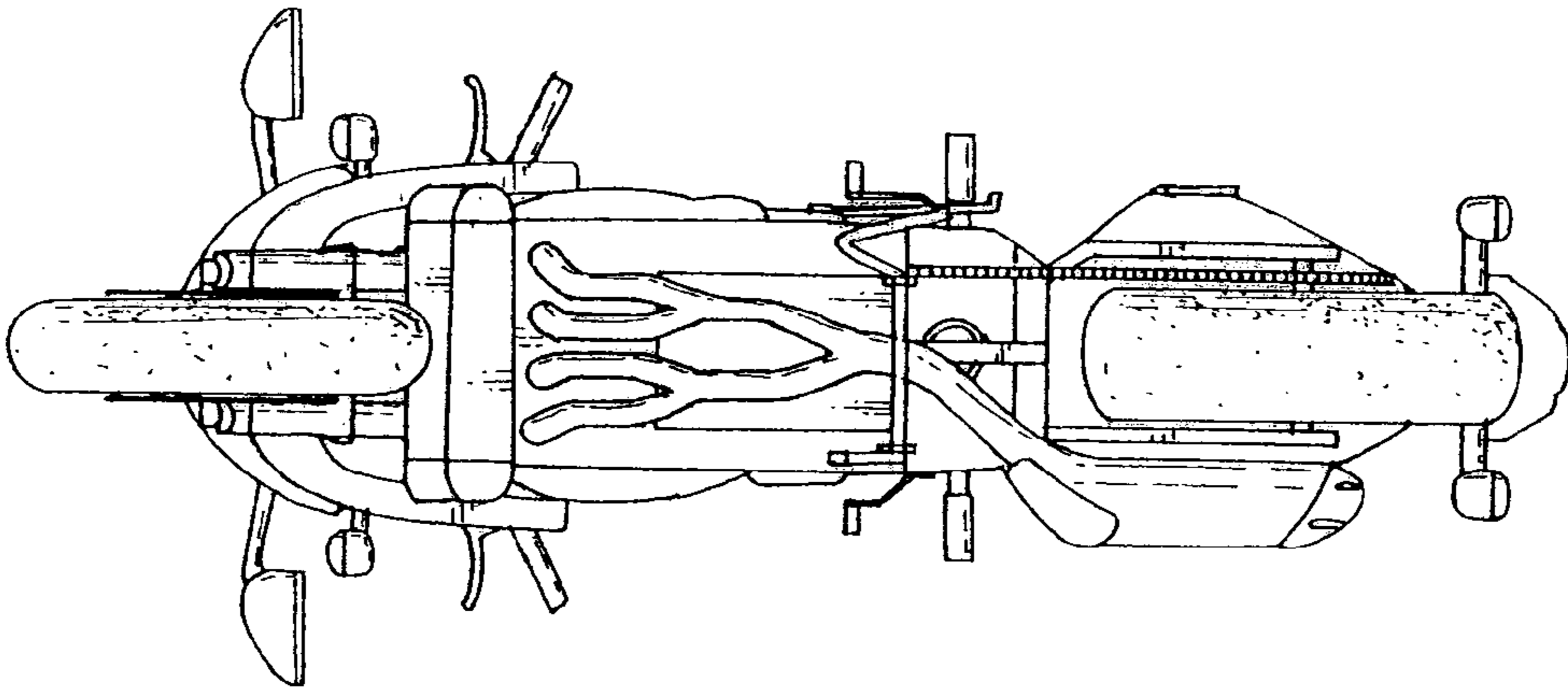


Fig. 7