



US00D531090S

(12) **United States Design Patent**
Iimura

(10) **Patent No.:** **US D531,090 S**

(45) **Date of Patent:** **** Oct. 31, 2006**

(54) **MOTORCYCLE**

D516,468 S * 3/2006 Kuboshima et al. D12/110

(75) Inventor: **Takeshi Iimura**, Tokyo-to (JP)

* cited by examiner

(73) Assignee: **Yamaha Hatsudoki Kabushiki Kaisha**
(JP)

Primary Examiner—Alan P. Douglas

Assistant Examiner—Linda Brooks

(**) Term: **14 Years**

(74) *Attorney, Agent, or Firm*—Ostrolenk, Faber, Gerb & Soffen, LLP

(21) Appl. No.: **29/237,395**

(57) **CLAIM**

(22) Filed: **Aug. 31, 2005**

The ornamental design for a motorcycle, as shown.

(51) **LOC (8) Cl.** **12-11**

(52) **U.S. Cl.** **D12/110**

(58) **Field of Classification Search** D12/110;
180/219, 220, 225, 229

See application file for complete search history.

DESCRIPTION

FIG. 1 is front, left side perspective view of a motorcycle showing my new design;

FIG. 2 is a left side view thereof;

FIG. 3 is a right side view thereof;

FIG. 4 is a front view thereof;

FIG. 5 is a rear view thereof;

FIG. 6 is a top view thereof; and,

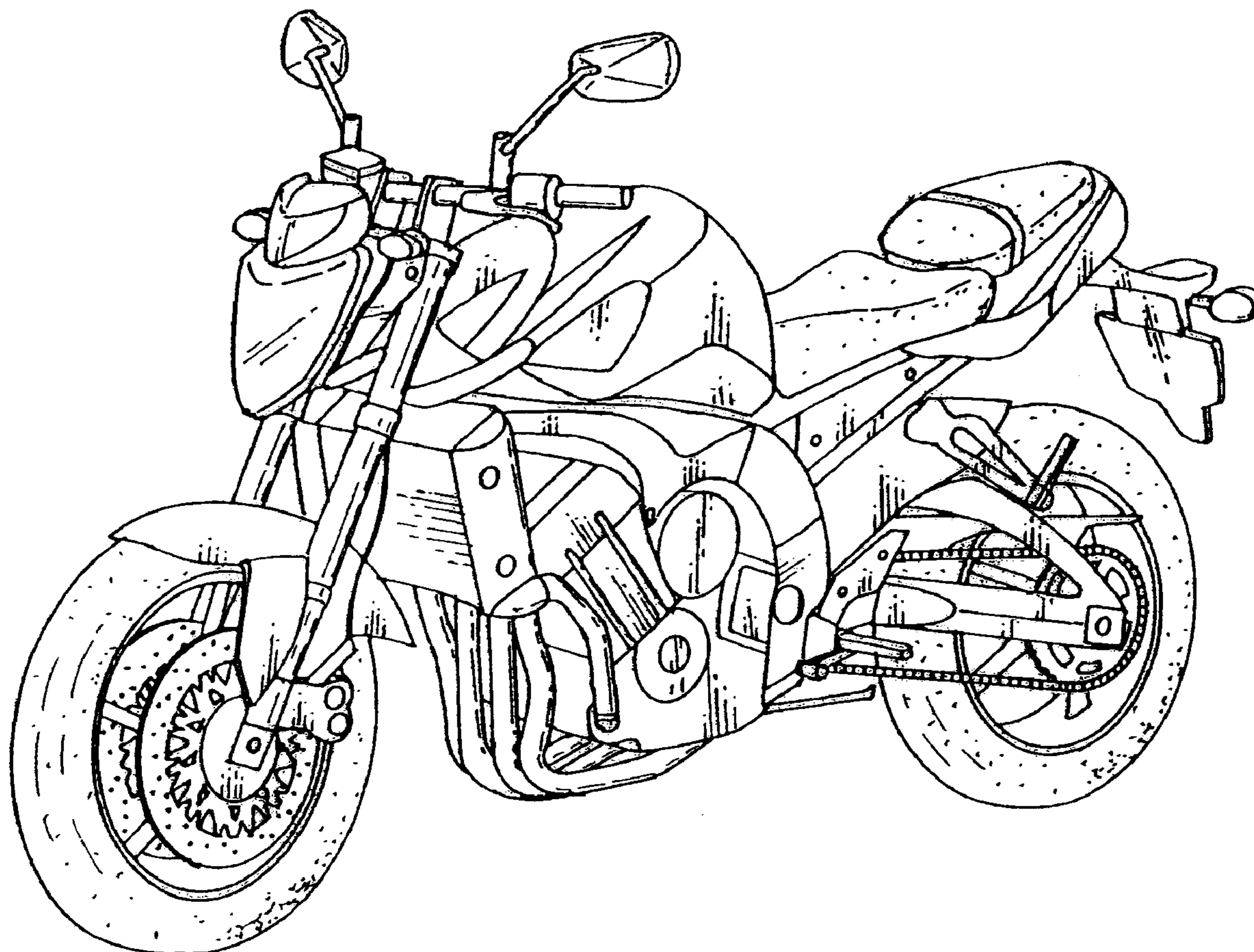
FIG. 7 is a bottom view thereof.

(56) **References Cited**

U.S. PATENT DOCUMENTS

D288,796 S * 3/1987 Nakano et al. D12/110

1 Claim, 4 Drawing Sheets



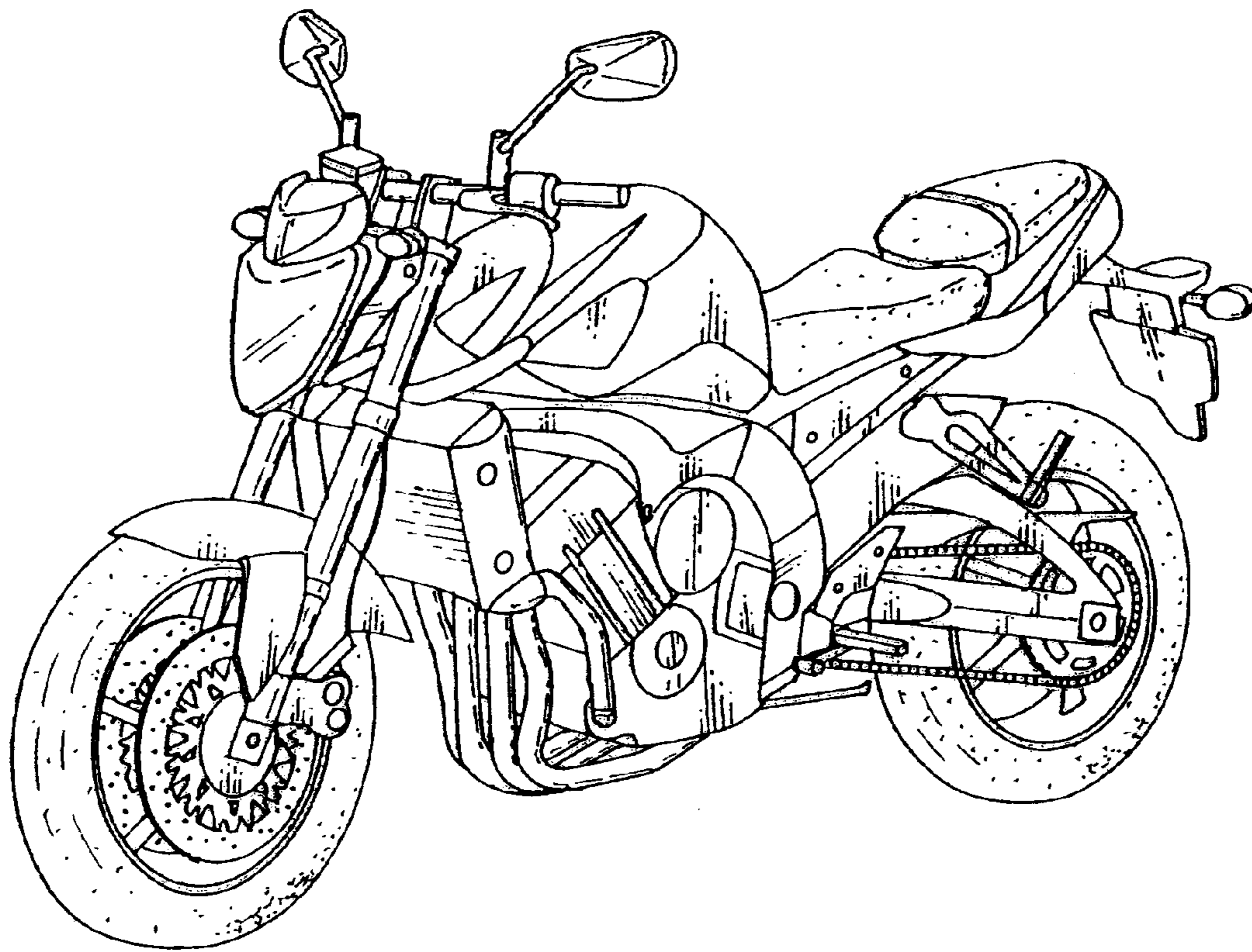


Fig. 1

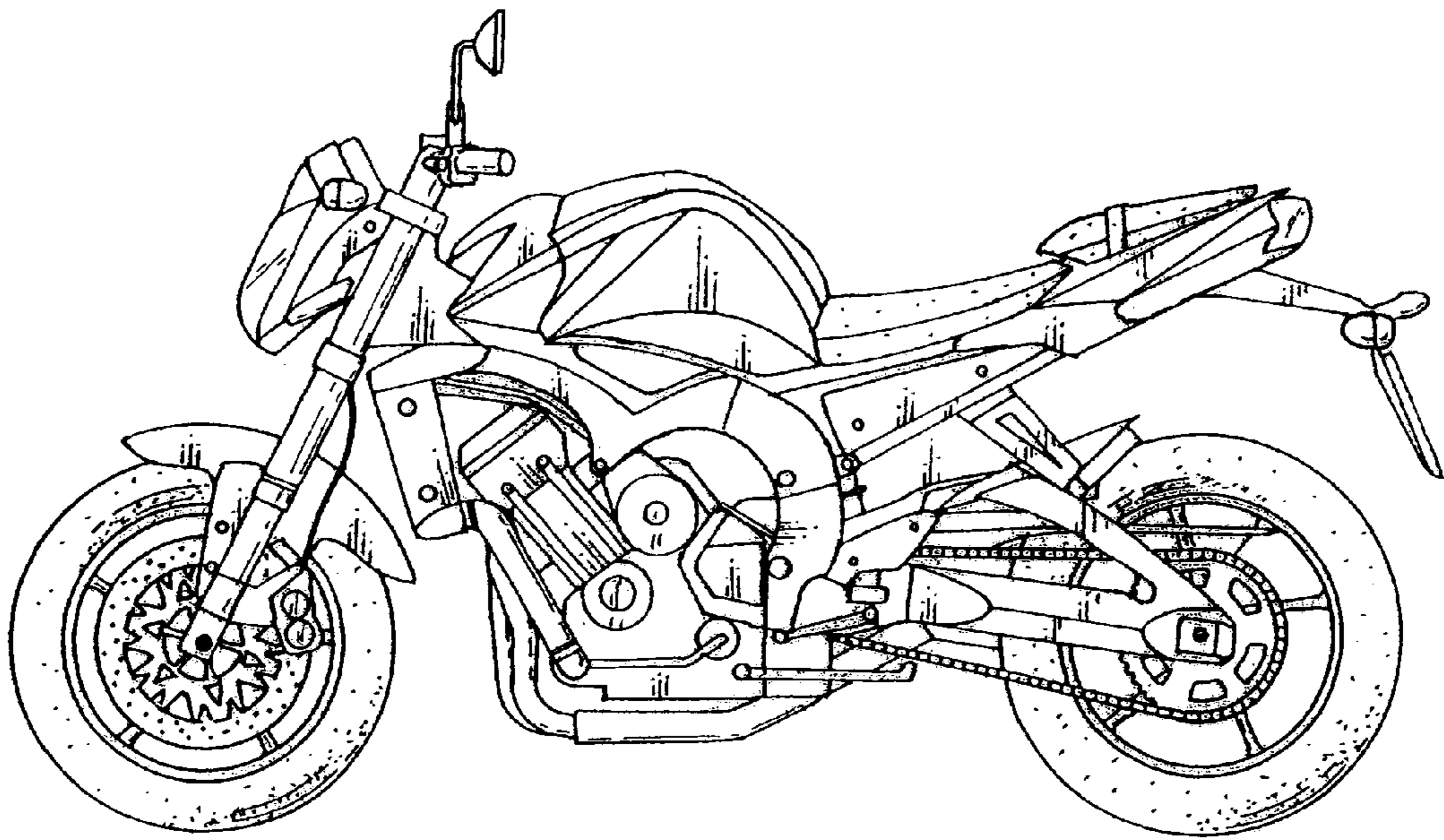


Fig. 2

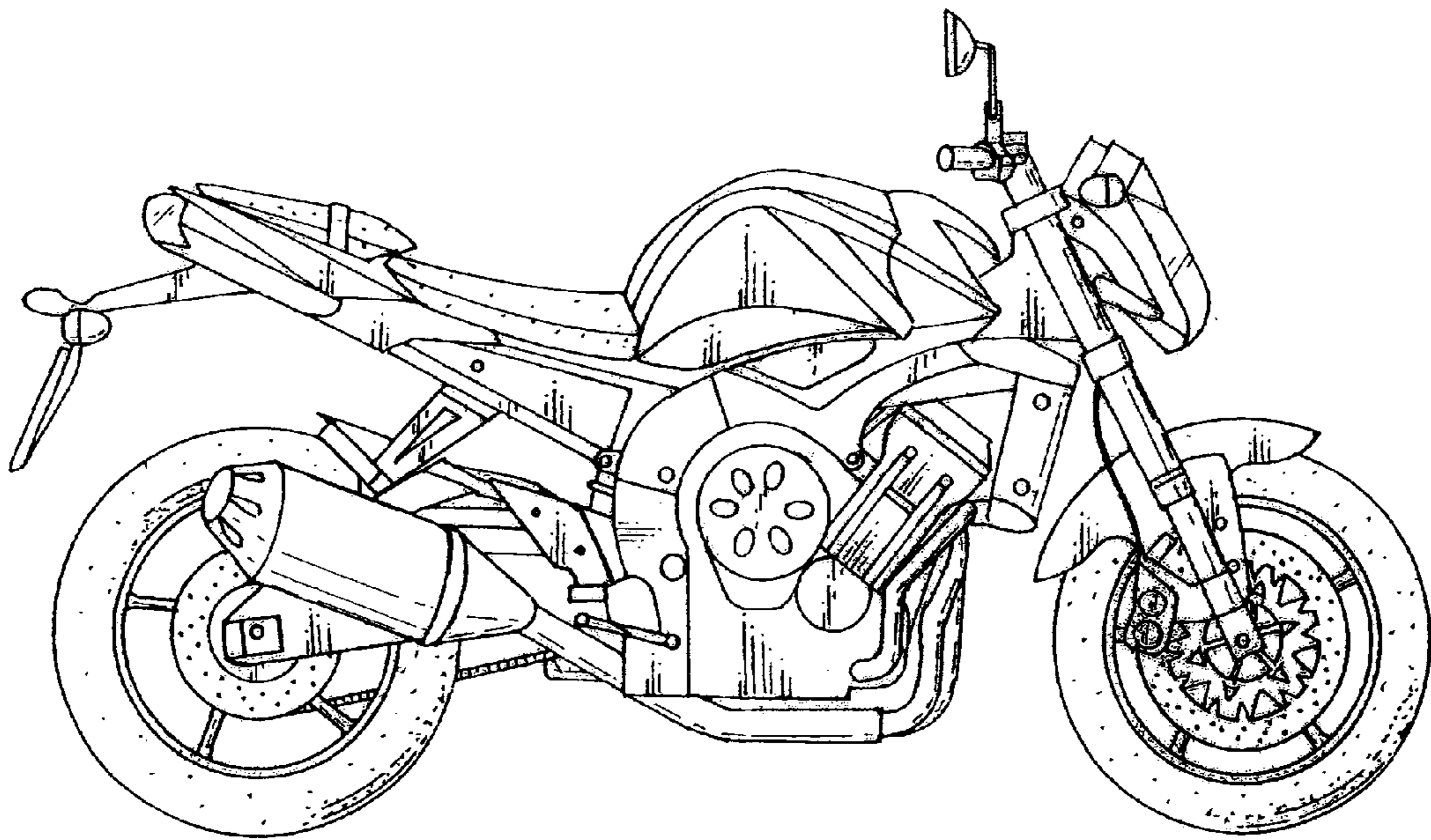


Fig. 3

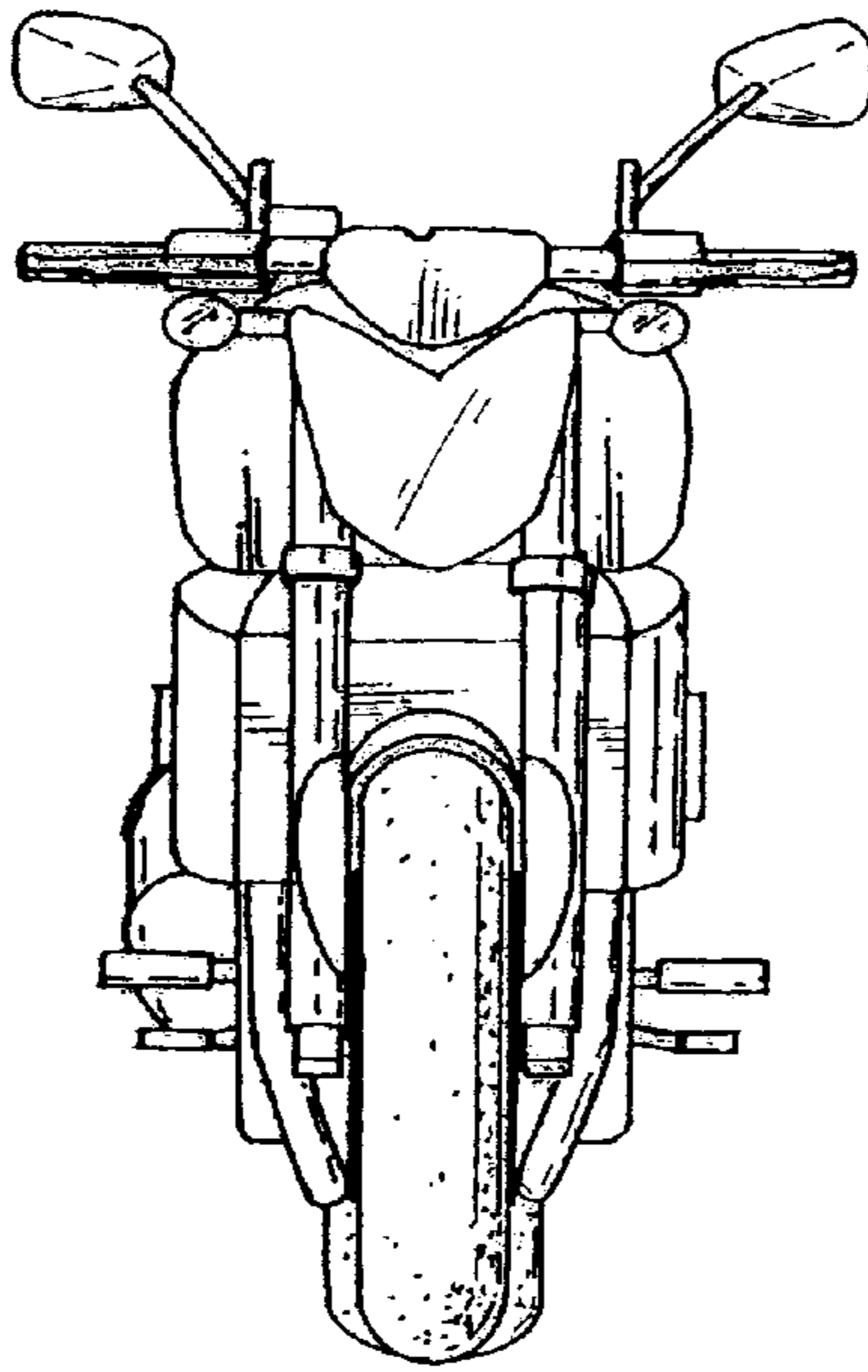


Fig. 4

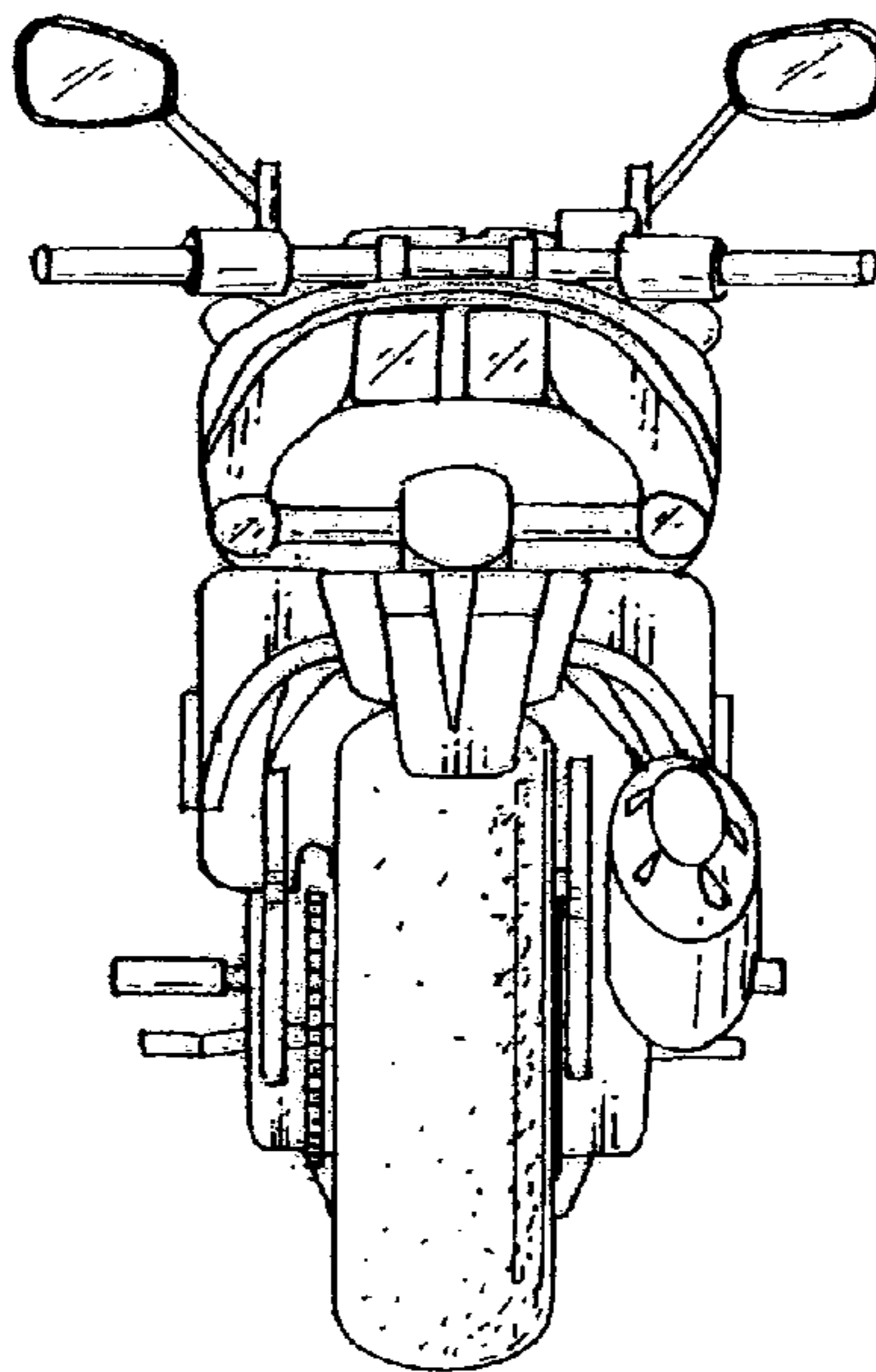


Fig. 5

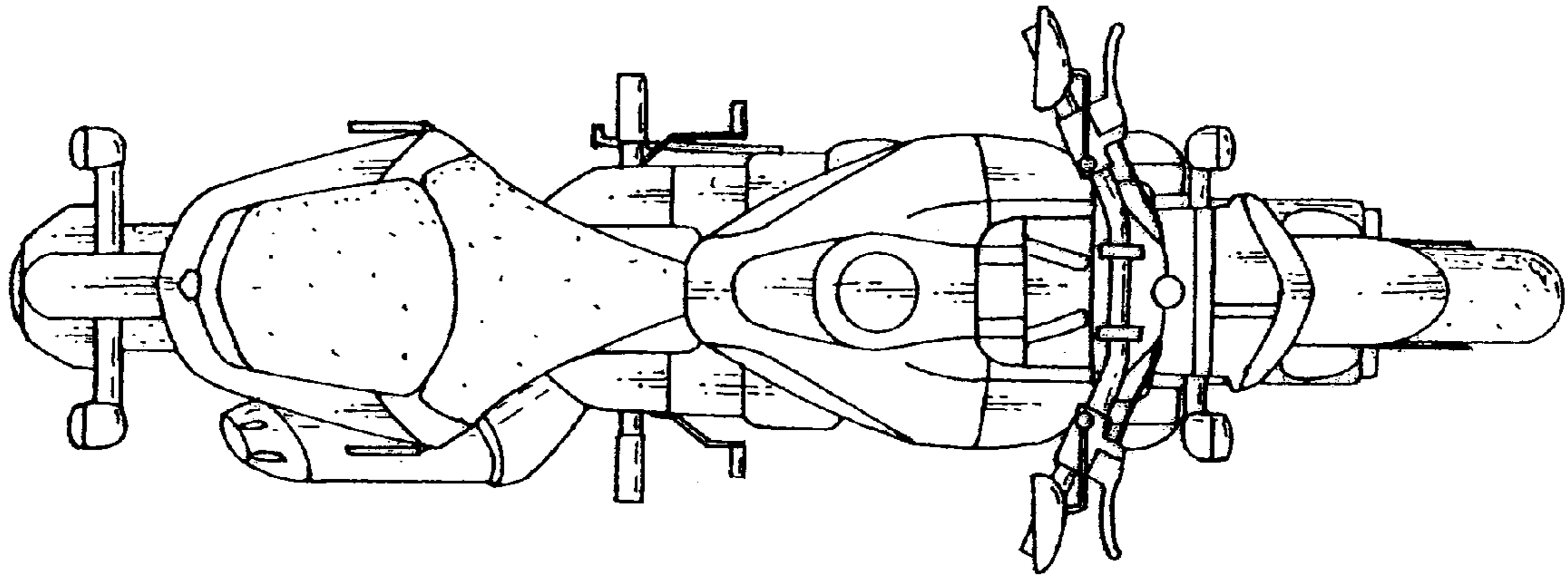


Fig. 6

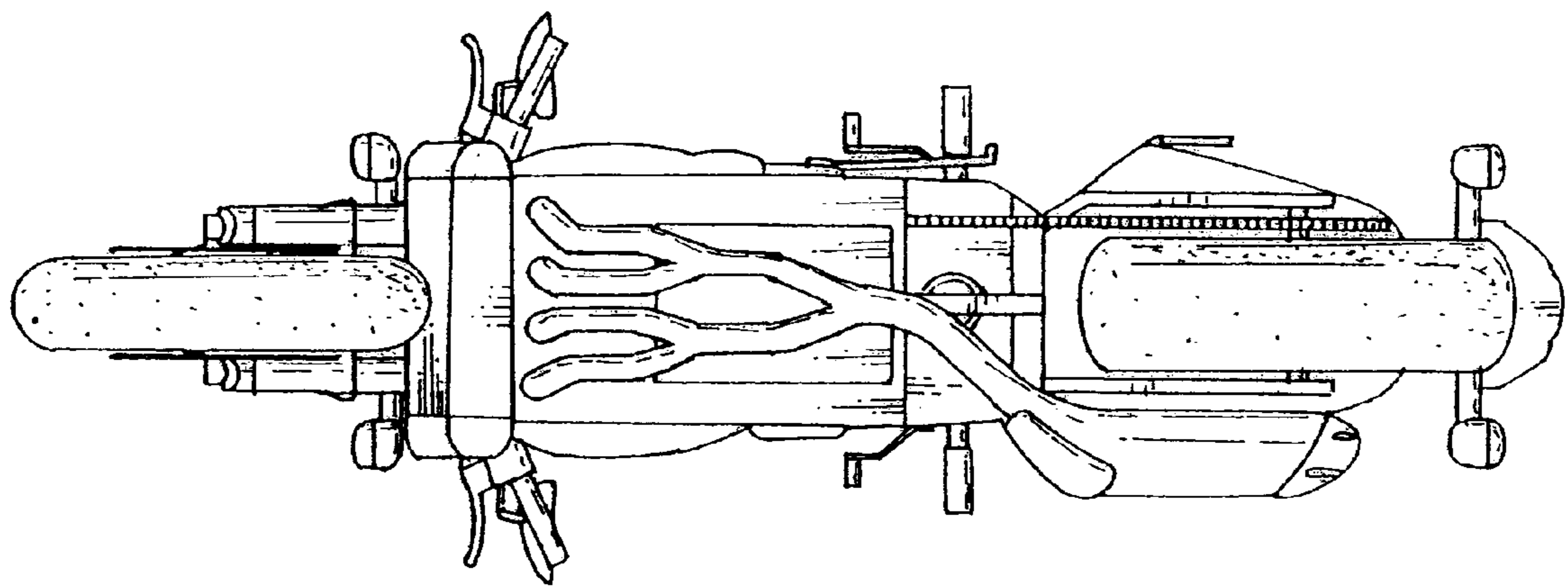


Fig. 7