

US00D531089S

(12) **United States Design Patent**
Heinrich et al.

(10) **Patent No.:** **US D531,089 S**
(45) **Date of Patent:** **** Oct. 31, 2006**

(54) **SURFACE CONFIGURATION OF A
MOTORCYCLE, TOY, AND/OR OTHER
REPLICAS**

(75) Inventors: **Edgar Heinrich**, Freising (DE); **David
Irwin Robb**, Munich (DE)

(73) Assignee: **Bayerische Motoren Werke
Aktiengesellschaft**, Munich (DE)

(**) Term: **14 Years**

(21) Appl. No.: **29/235,095**

(22) Filed: **Jul. 28, 2005**

(30) **Foreign Application Priority Data**

Jan. 29, 2005 (DE) 40500616

(51) **LOC (8) Cl.** **12-11**

(52) **U.S. Cl.** **D12/110**

(58) **Field of Classification Search** D12/110;
D21/432, 538; 280/827, 828; 180/219, 220,
180/225, 229; 446/440

See application file for complete search history.

(56) **References Cited**

U.S. PATENT DOCUMENTS

D500,463 S * 1/2005 Heinrich et al.

OTHER PUBLICATIONS

“Motorrad,” GOGGLE/Apr. 1, 2004, No. 04, p. 54.*

* cited by examiner

Primary Examiner—Alan P. Douglas

Assistant Examiner—Linda Brooks

(74) *Attorney, Agent, or Firm*—Crowel & Moring LLP

(57) **CLAIM**

The ornamental design for a surface configuration of a motorcycle, toy, and/or other replicas, as shown and described.

DESCRIPTION

FIG. 1 is a left, front perspective view of a surface configuration of a motorcycle, toy, and/or other replicas according to our novel design;

FIG. 2 is a left, rear perspective view of the surface configuration of a motorcycle, toy, and/or other replicas according to our novel design;

FIG. 3 is a right, front perspective view of the surface configuration of a motorcycle, toy, and/or other replicas according to our novel design;

FIG. 4 is a right, rear perspective view of the surface configuration of a motorcycle, toy, and/or other replicas according to our novel design;

FIG. 5 is a left side view of the surface configuration of a motorcycle, toy, and/or other replicas according to our novel design;

FIG. 6 is a right side view of the surface configuration of a motorcycle, toy, and/or other replicas according to our novel design;

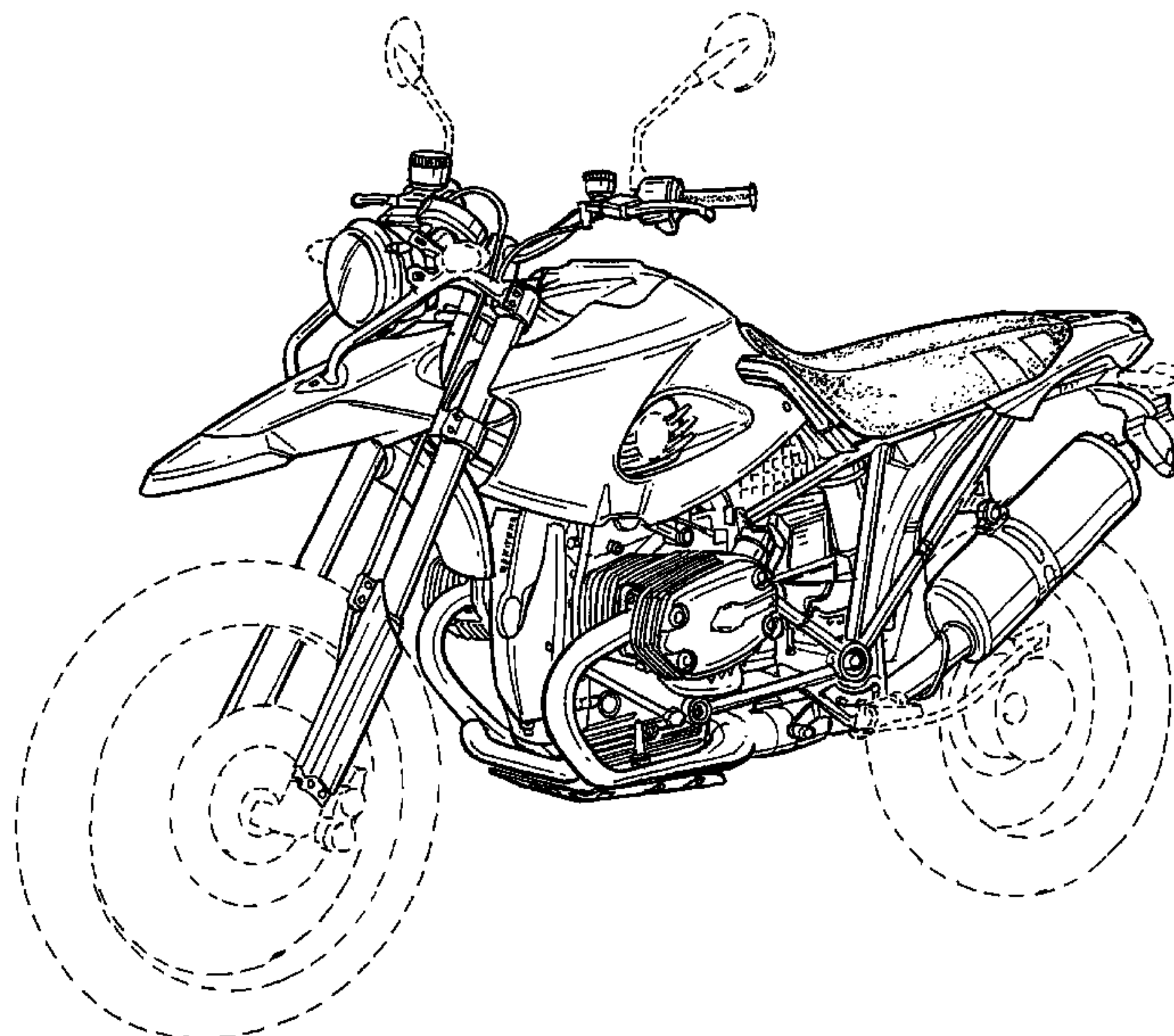
FIG. 7 is a top view of the surface configuration of a motorcycle, toy, and/or other replicas according to our novel design;

FIG. 8 is a front view of the surface configuration of a motorcycle, toy, and/or other replicas according to our novel design; and,

FIG. 9 is a rear view of the surface configuration of a motorcycle, toy, and/or other replicas according to our novel design.

The broken lines are for illustrative purposes only and form no part of the claimed design.

1 Claim, 9 Drawing Sheets



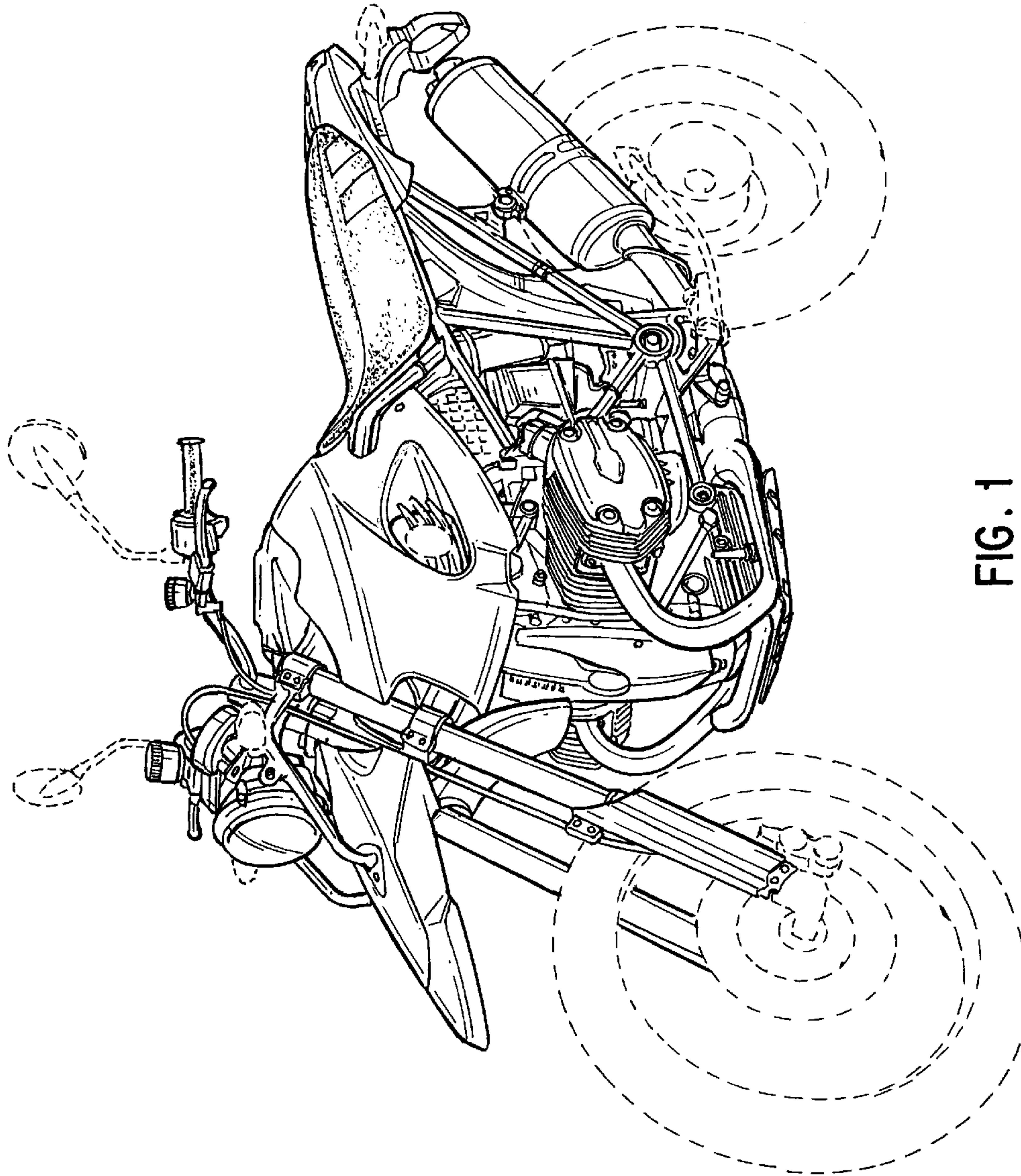


FIG. 1

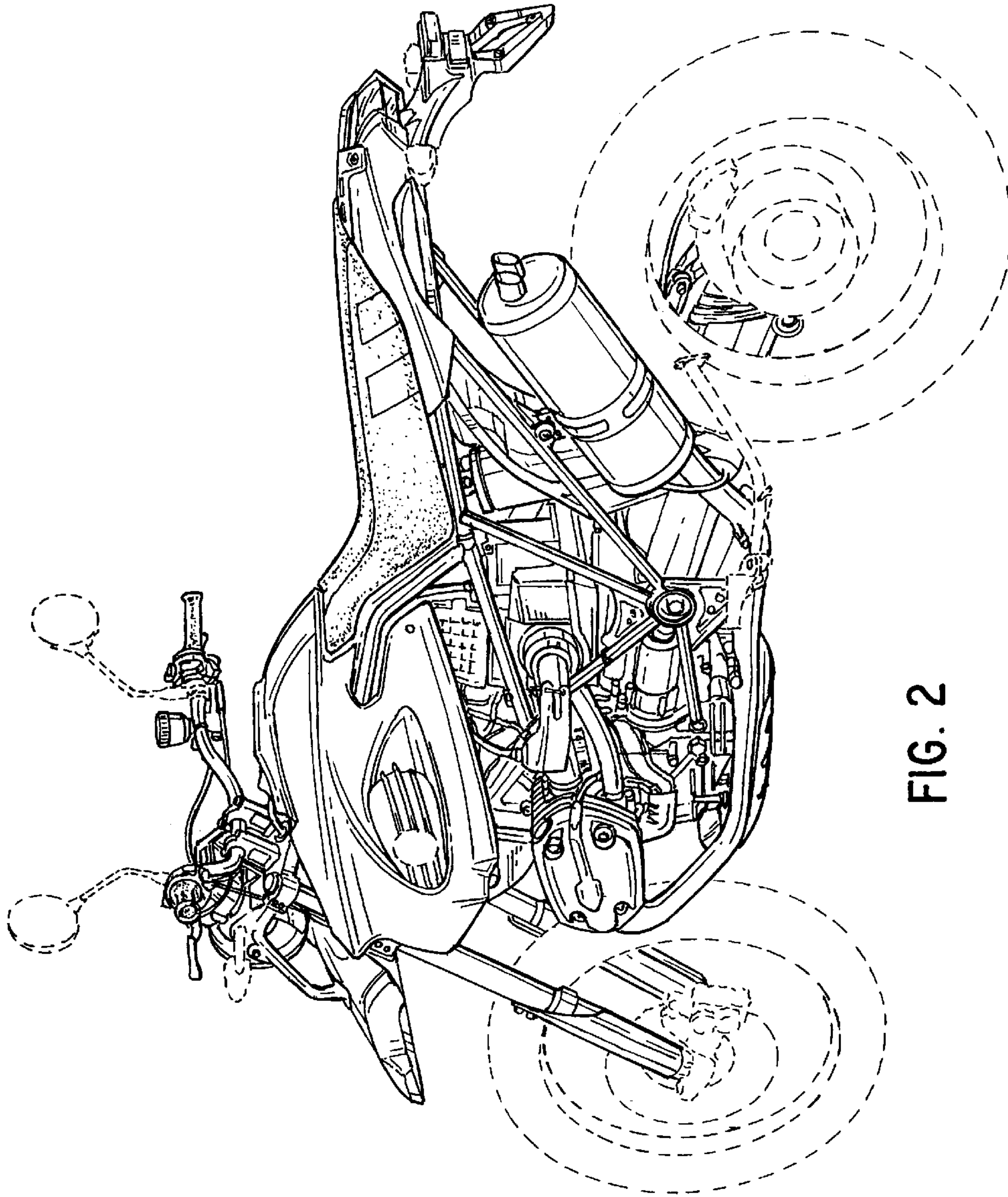


FIG. 2

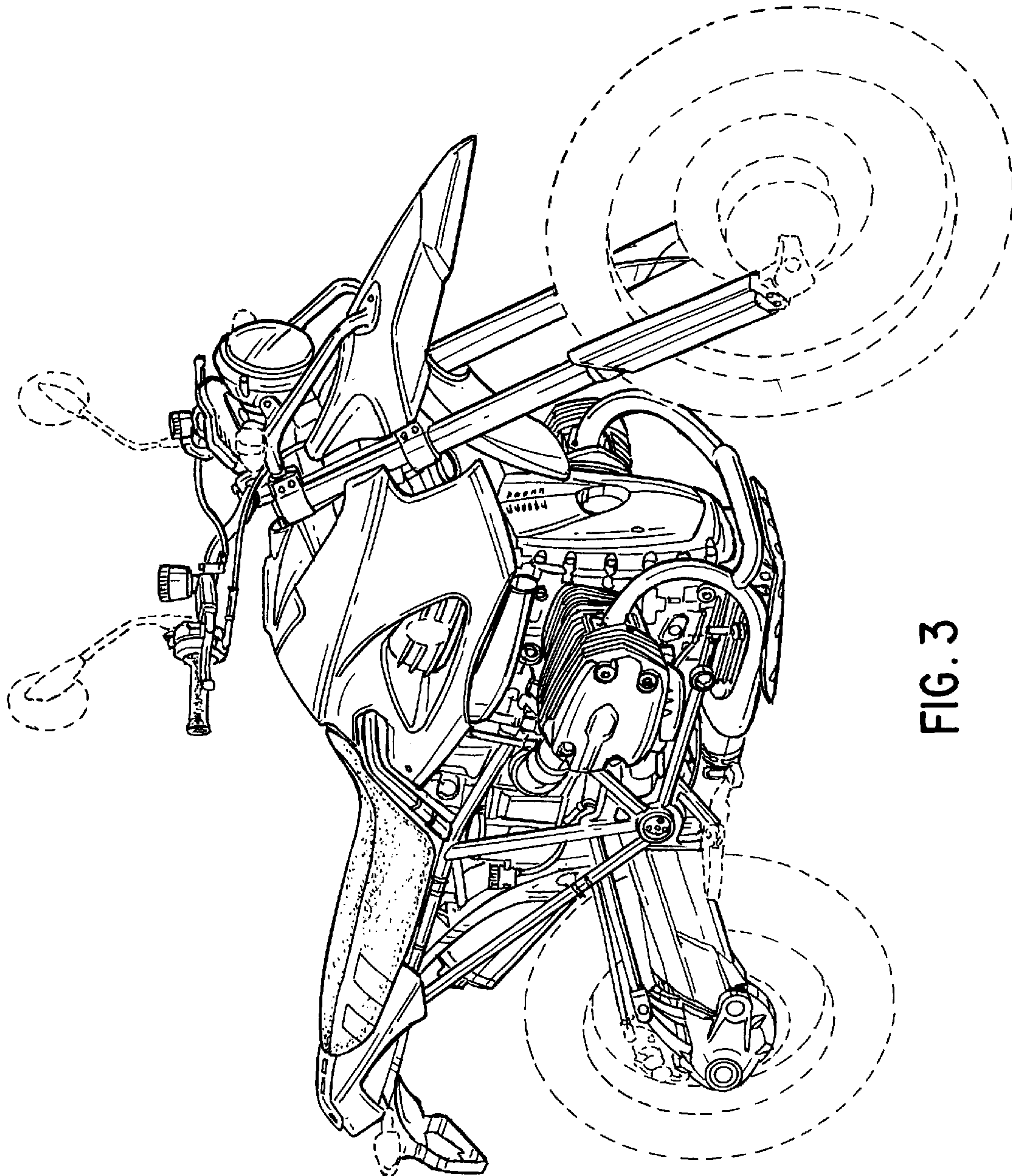


FIG. 3

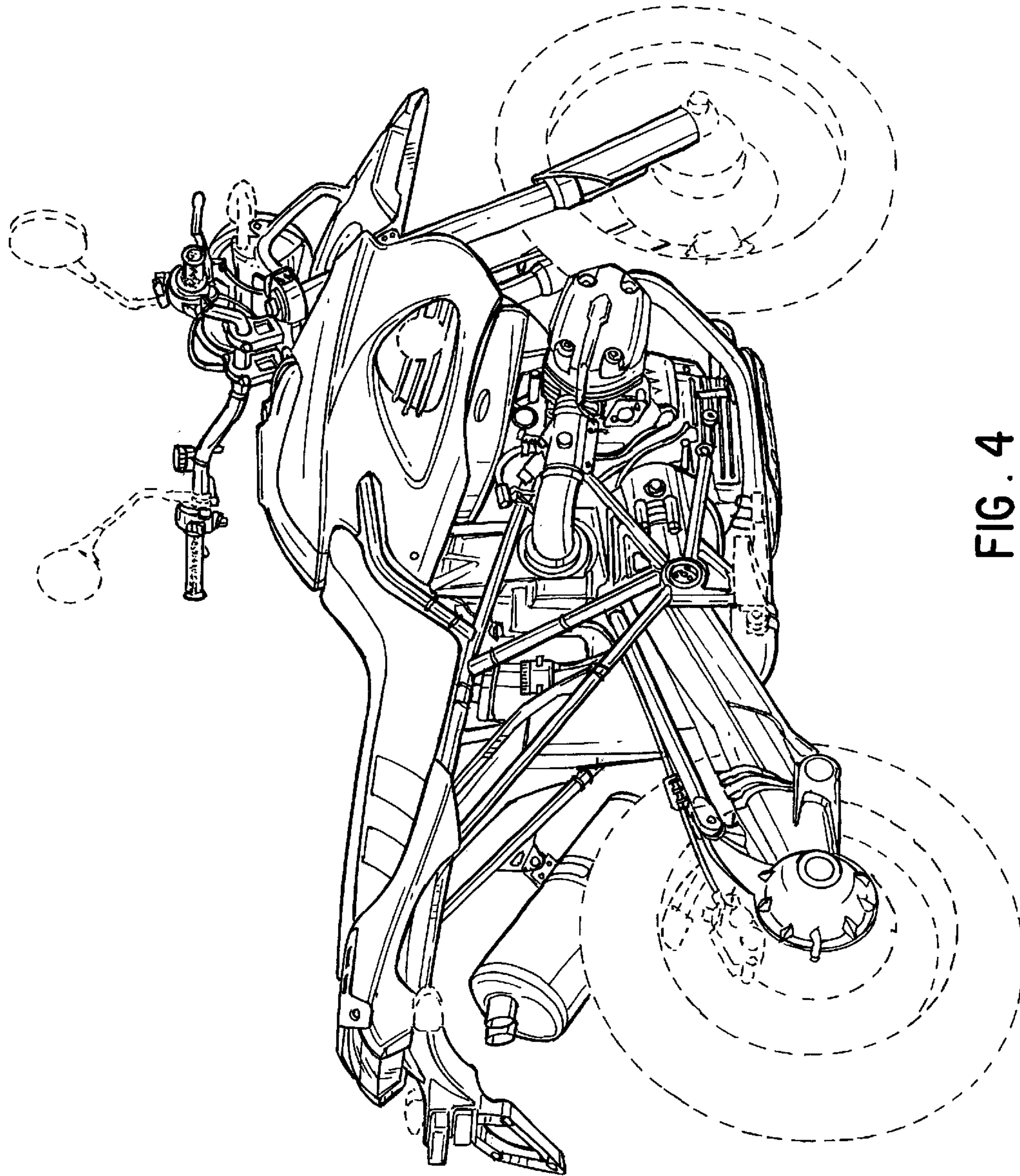


FIG. 4

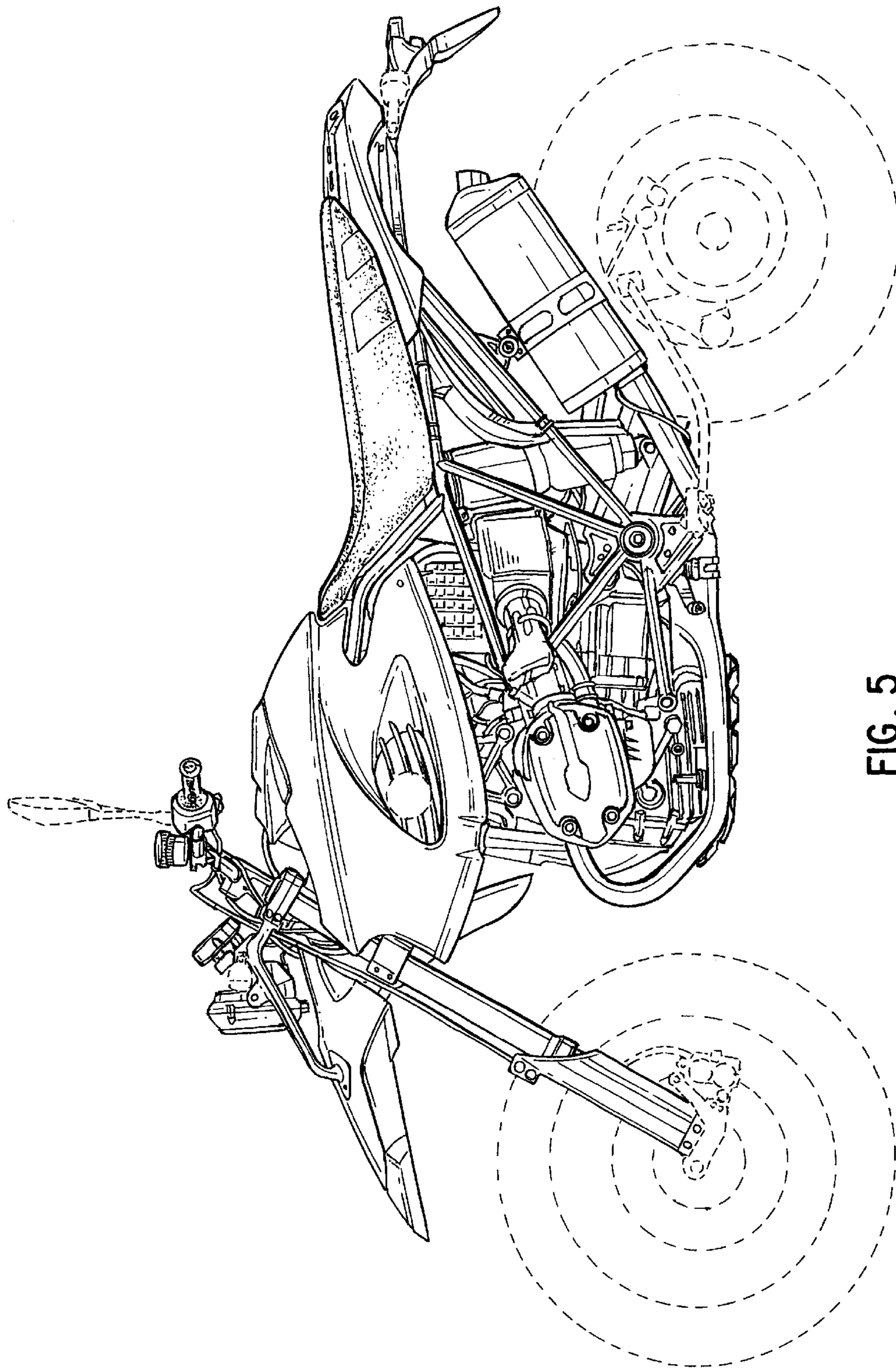


FIG. 5

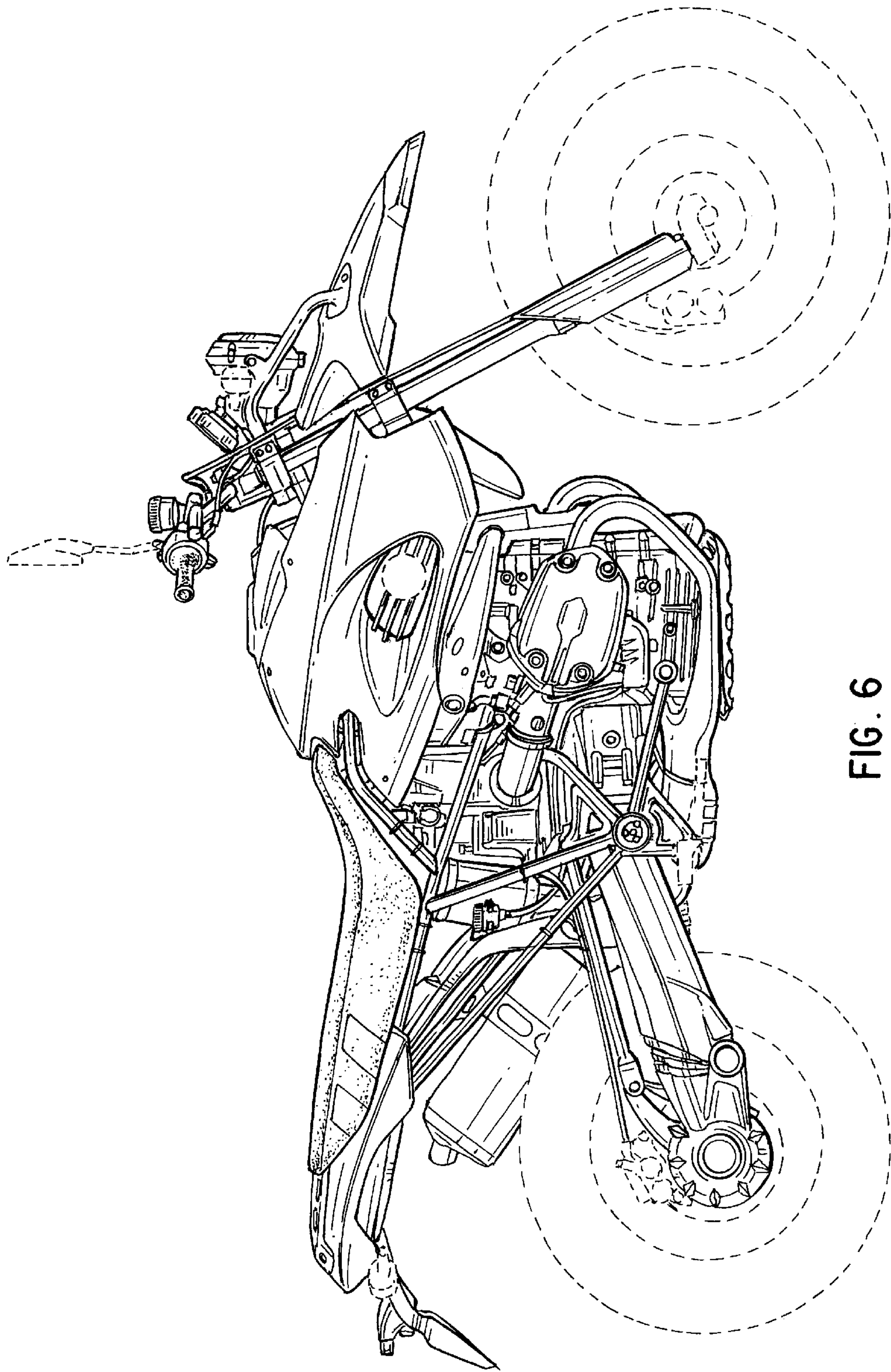


FIG. 6

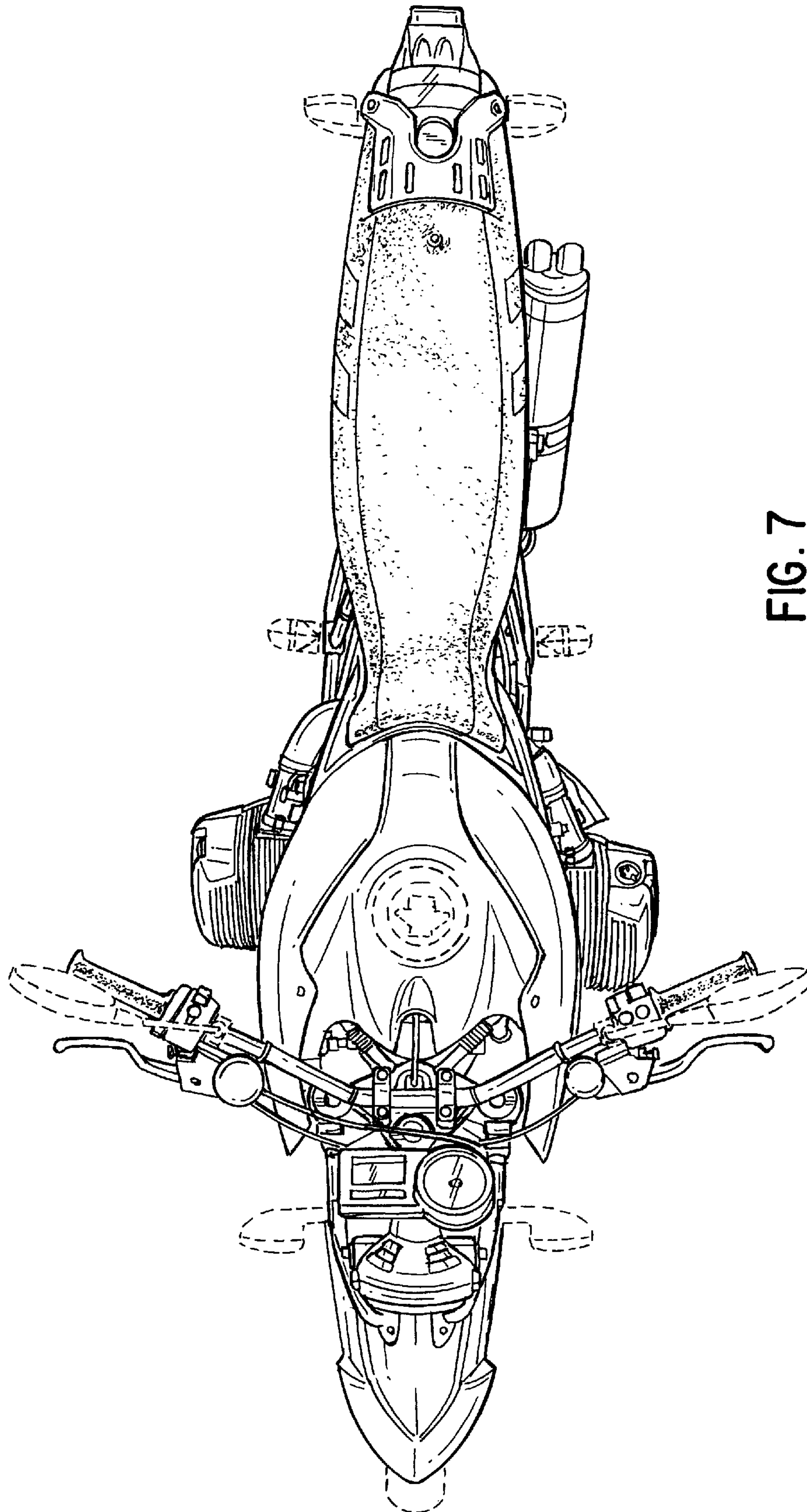


FIG. 7

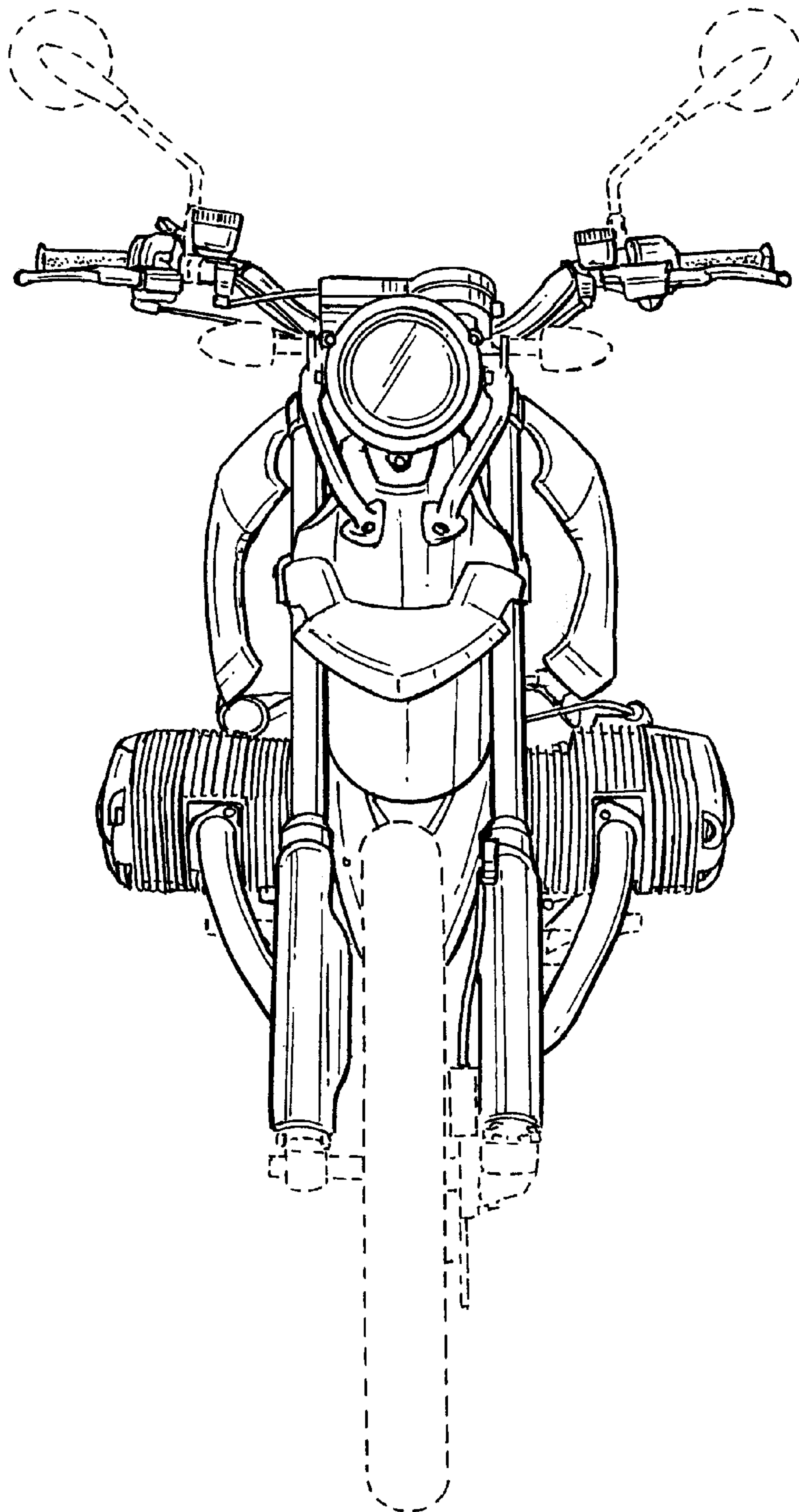


FIG. 8

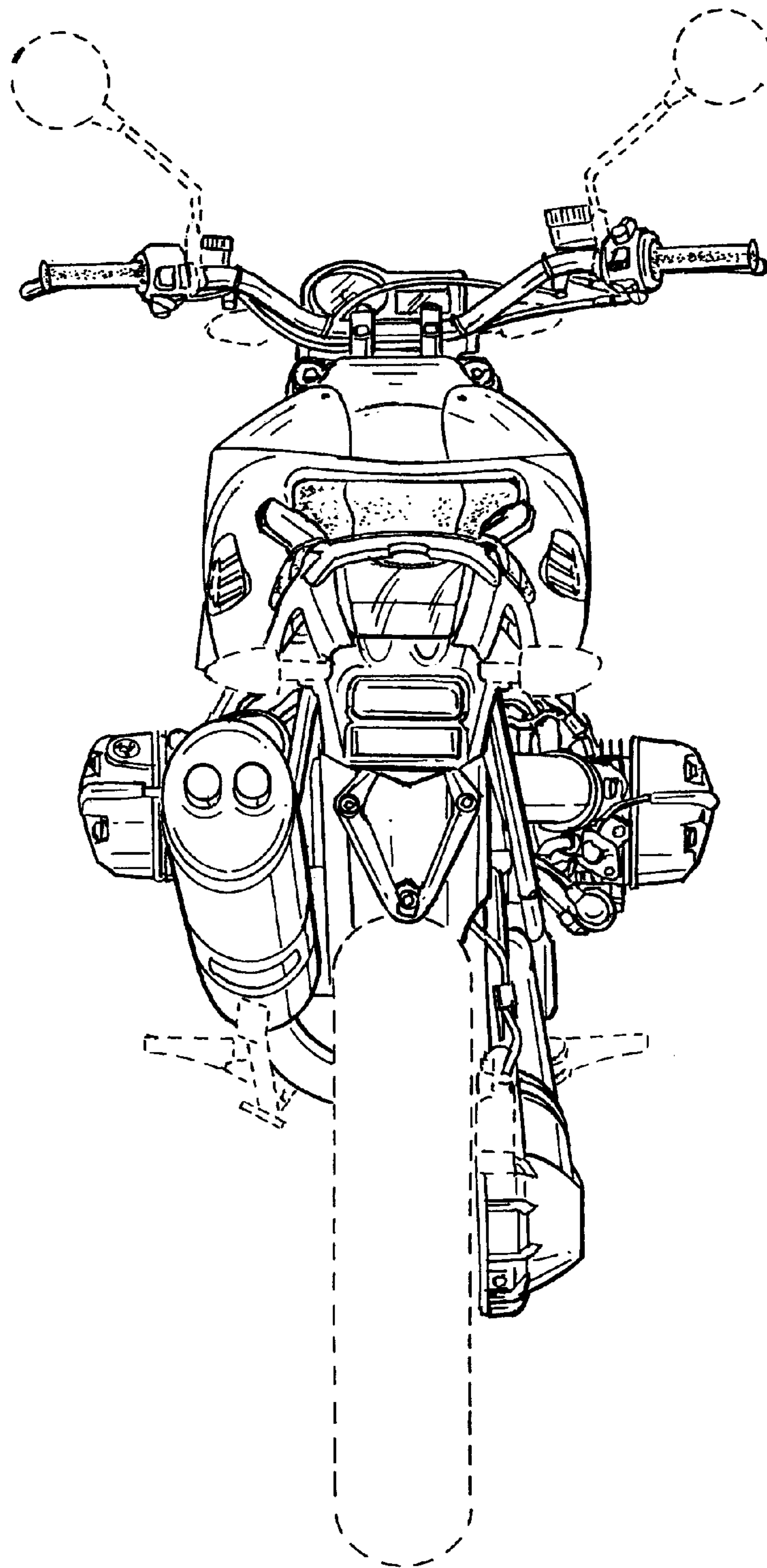


FIG. 9