



US00D531088S

(12) **United States Design Patent**
Lin

(10) **Patent No.:** **US D531,088 S**

(45) **Date of Patent:** **** Oct. 31, 2006**

(54) **ALL-TERRAIN VEHICLE**

(75) **Inventor:** **Chih-Ming Lin**, Hsinchu County (TW)

(73) **Assignee:** **Sanyang Industry Co., Ltd.**, Hsinchu County (TW)

(**) **Term:** **14 Years**

(21) **Appl. No.:** **29/244,759**

(22) **Filed:** **Dec. 13, 2005**

(30) **Foreign Application Priority Data**

Nov. 8, 2005 (TW) 94306758

(51) **LOC (8) Cl.** **12-11**

(52) **U.S. Cl.** **D12/107**

(58) **Field of Classification Search** D12/3,
D12/86, 87, 107; 180/225, 229, 233, 311,
180/312, 315

See application file for complete search history.

(56) **References Cited**

U.S. PATENT DOCUMENTS

D421,935 S * 3/2000 Fujieda D12/107

D488,746 S * 4/2004 Rondeau et al. D12/107
D496,308 S * 9/2004 Wu D12/107
2004/0108158 A1 * 6/2004 Rondeau et al. 180/311

* cited by examiner

Primary Examiner—Alan P. Douglas

Assistant Examiner—Linda Brooks

(74) *Attorney, Agent, or Firm*—Quintero Law Office

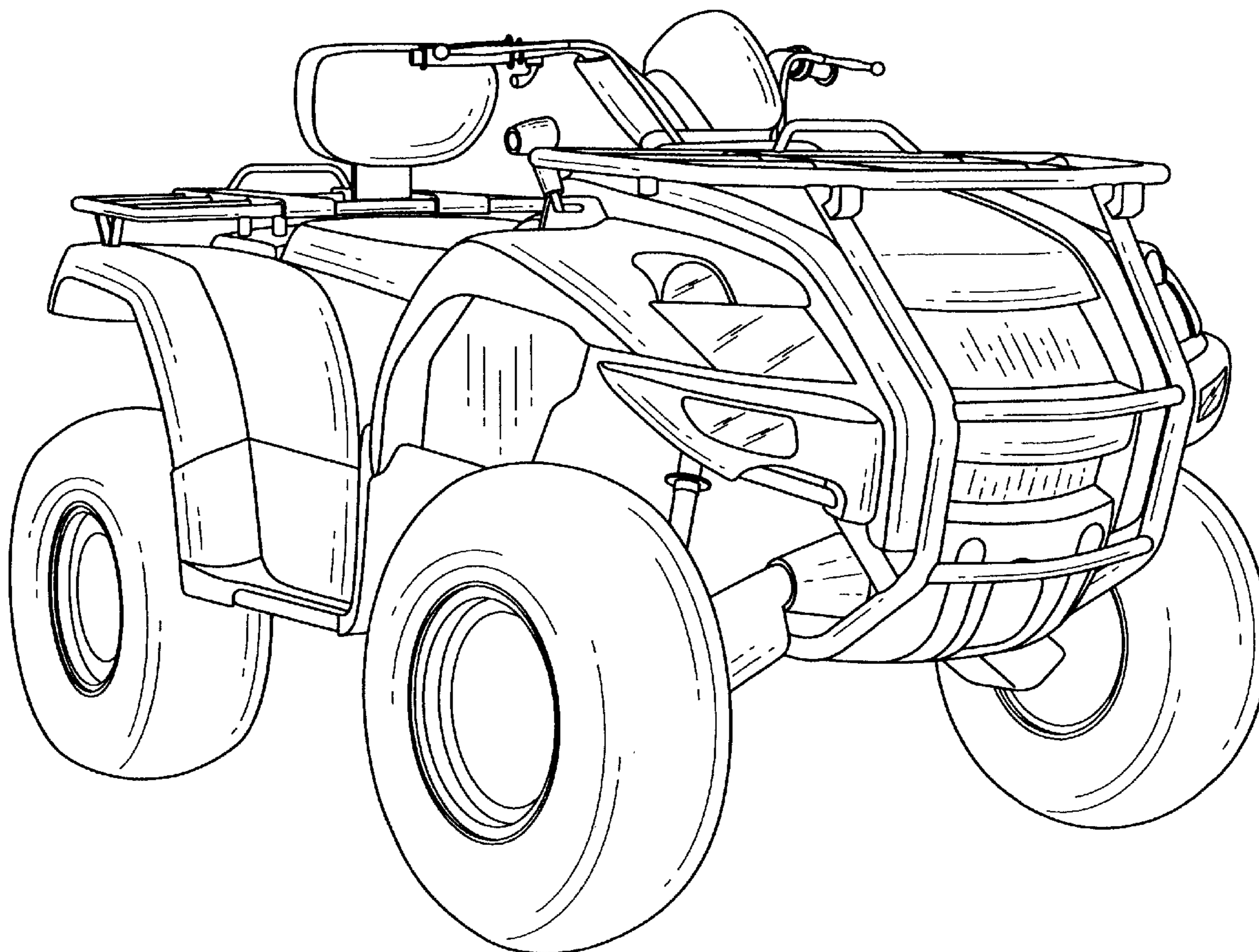
(57) **CLAIM**

The ornamental design for an all-terrain vehicle, as shown and described.

DESCRIPTION

FIG. 1 is a perspective view thereof;
FIG. 2 is a front elevational view thereof;
FIG. 3 is a rear elevational view thereof;
FIG. 4 is a left side elevational view thereof;
FIG. 5 is a right side elevational view thereof;
FIG. 6 is a top plane view thereof; and,
FIG. 7 is a bottom plane view thereof.

1 Claim, 7 Drawing Sheets



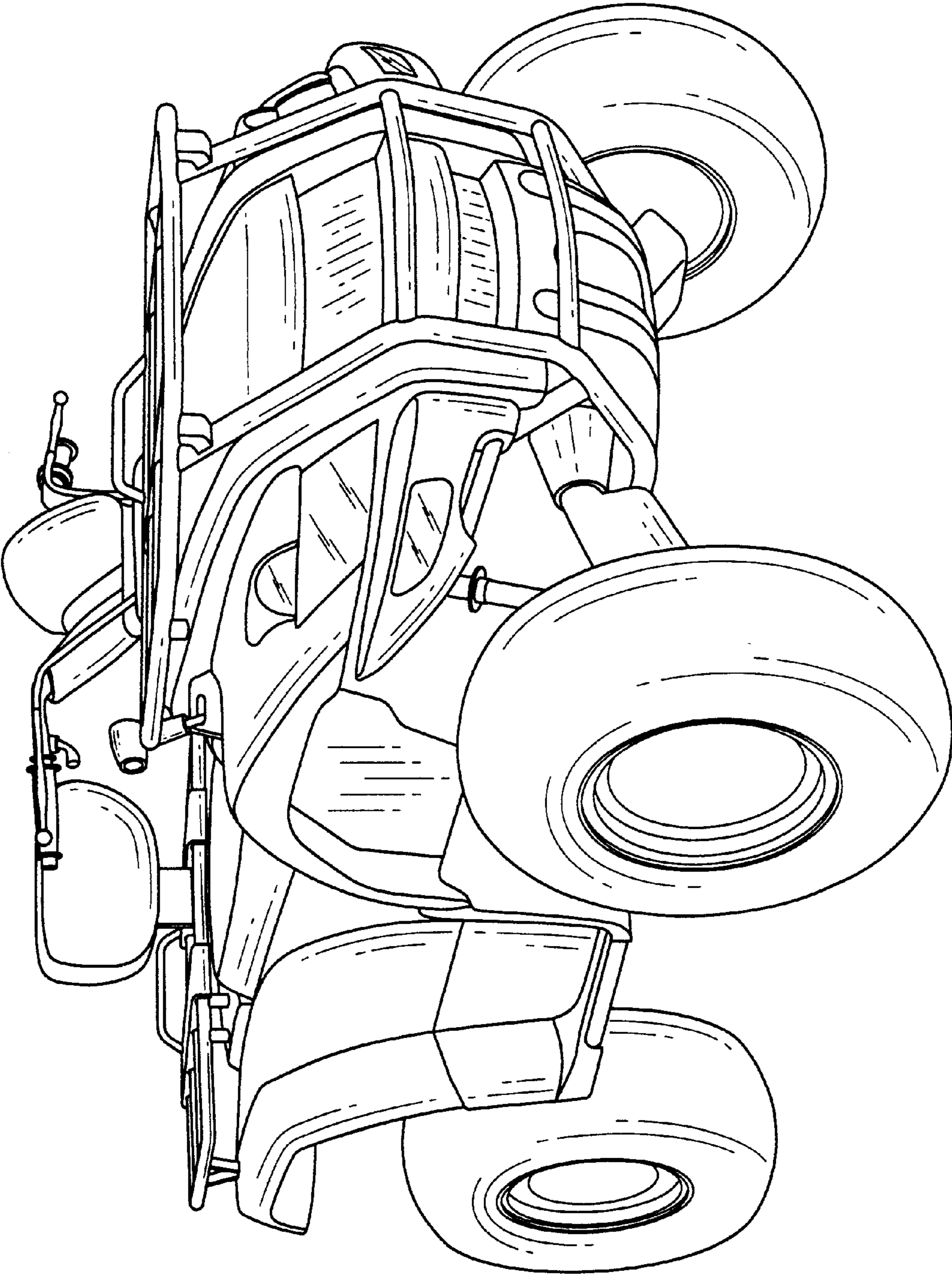


FIG. 1

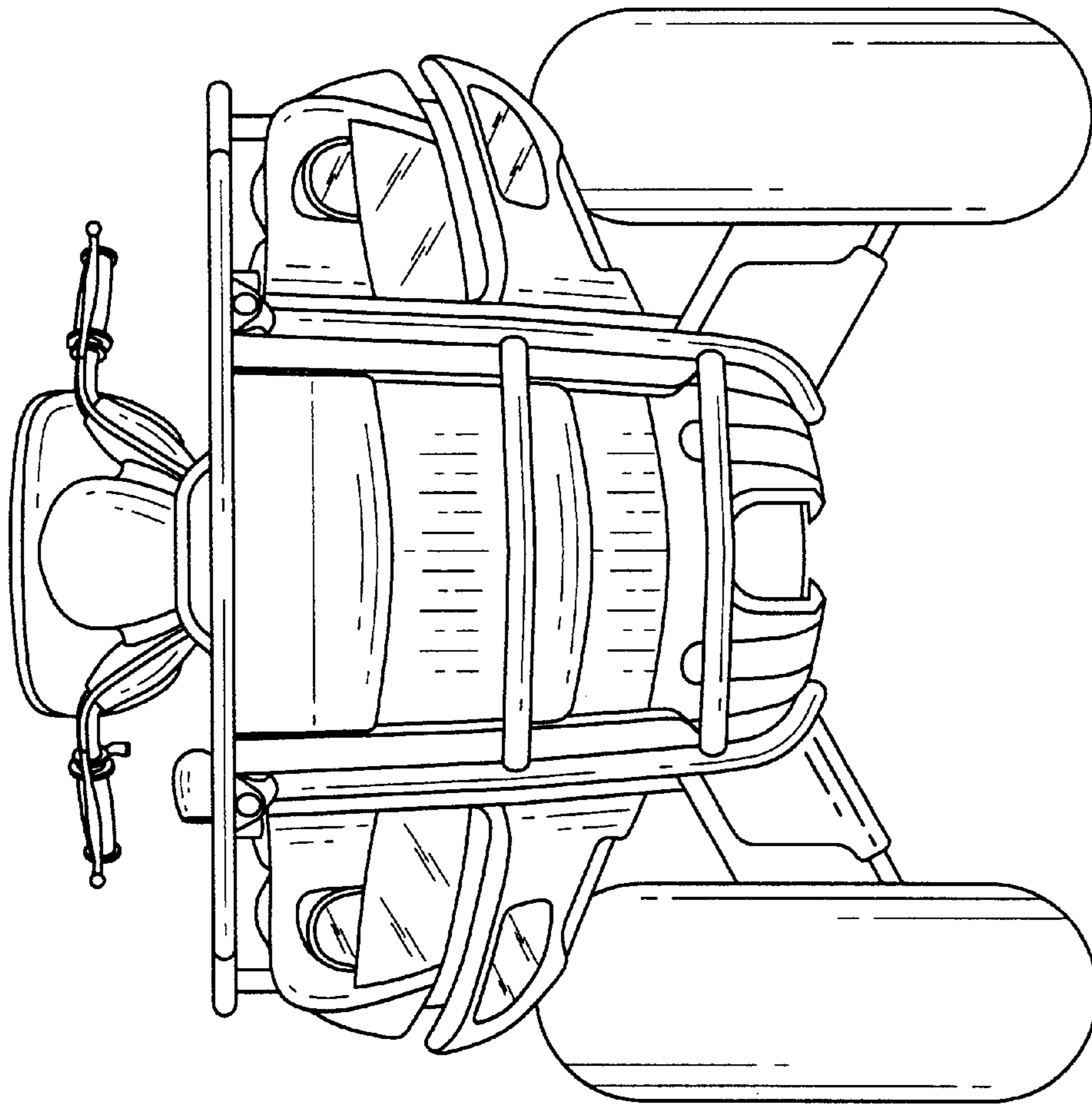


FIG. 2

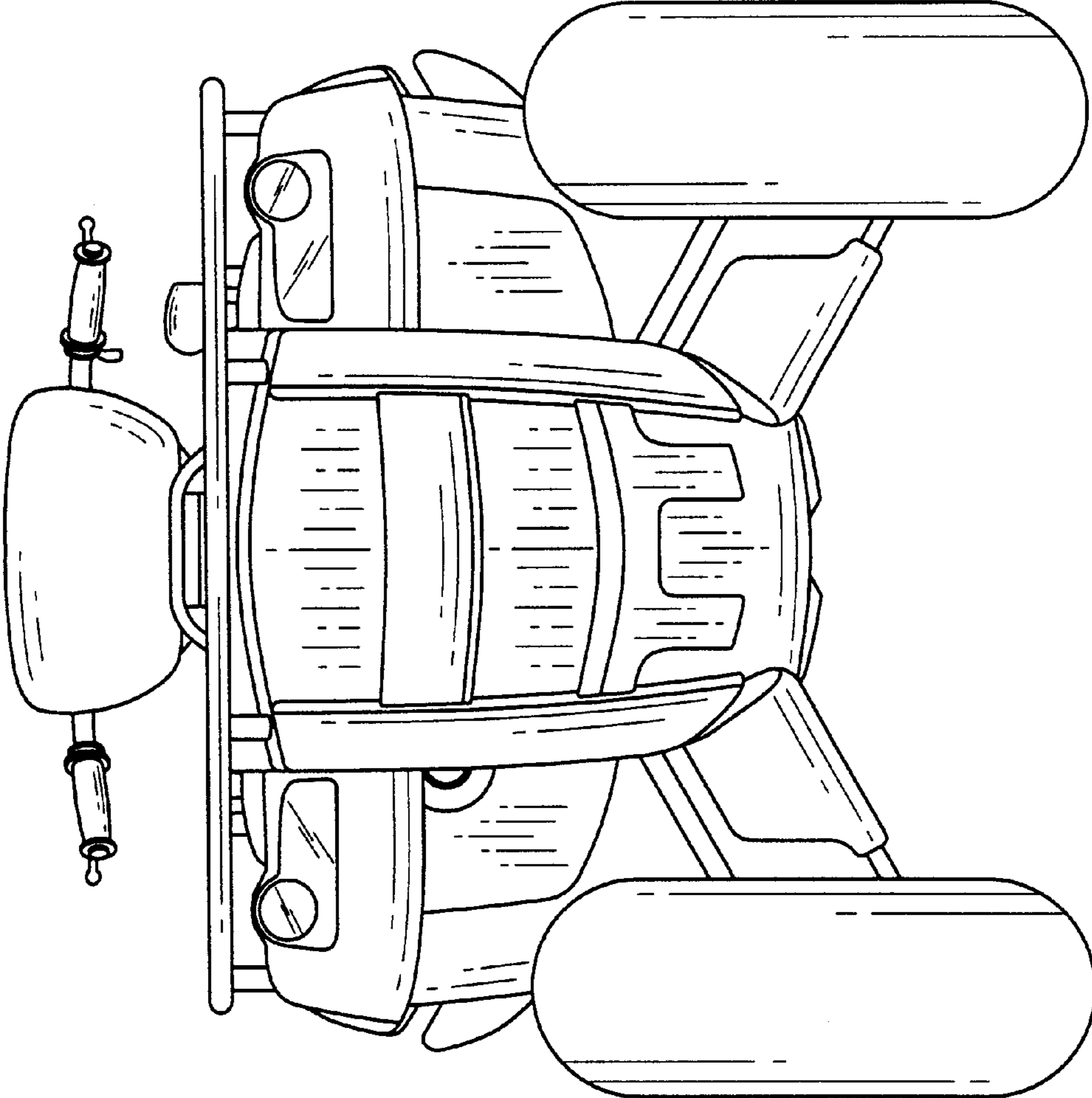


FIG. 3

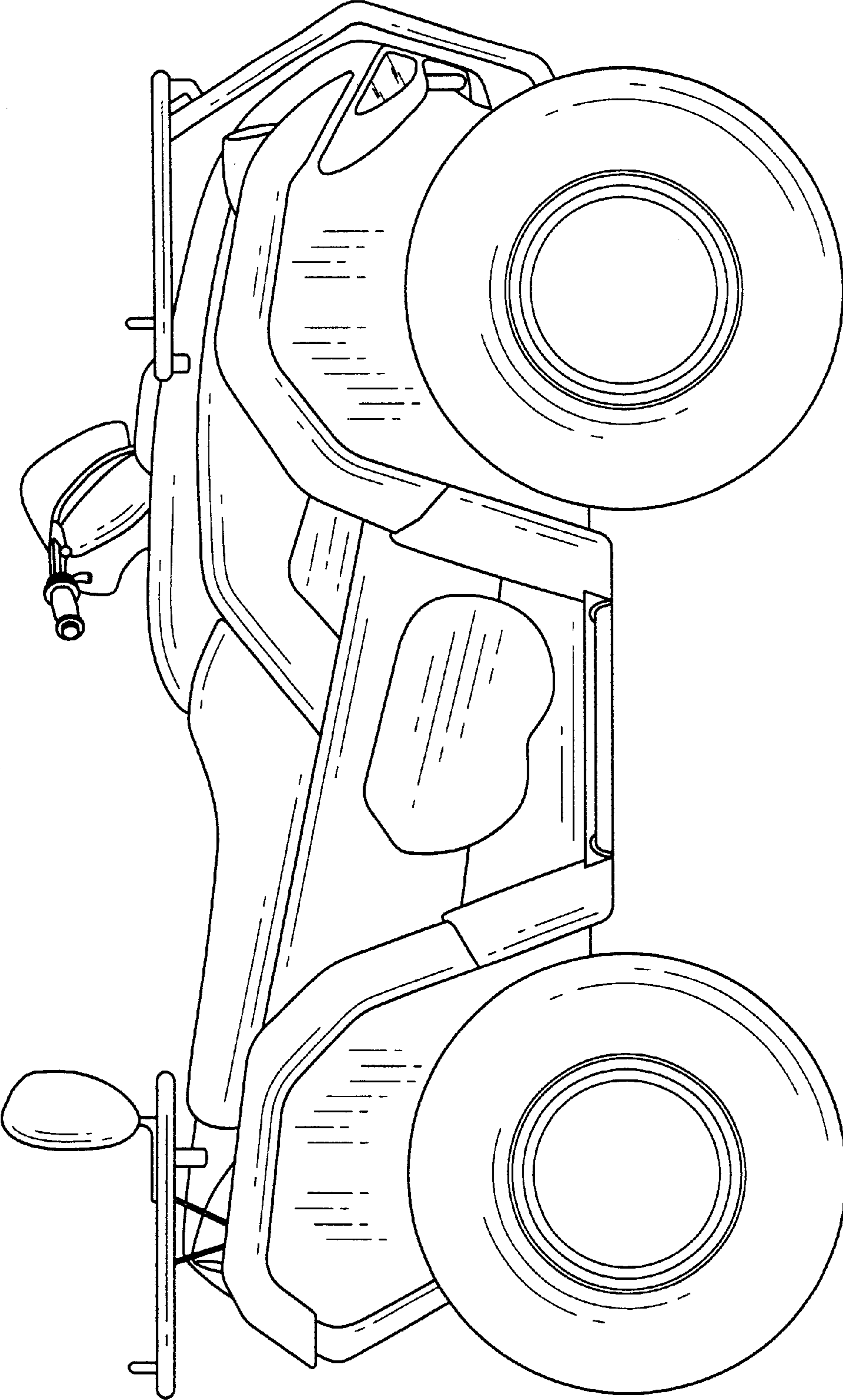


FIG. 4

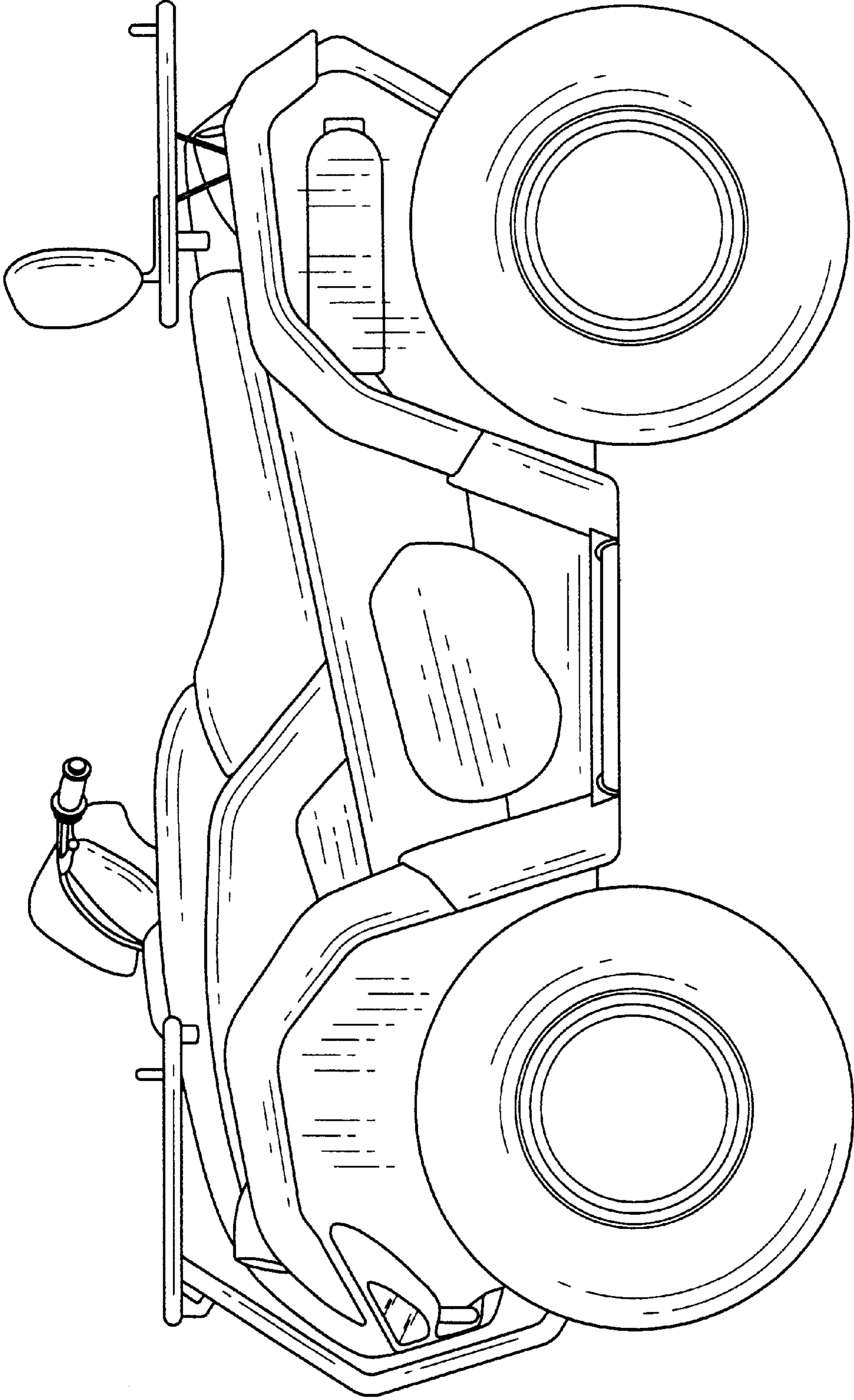


FIG. 5

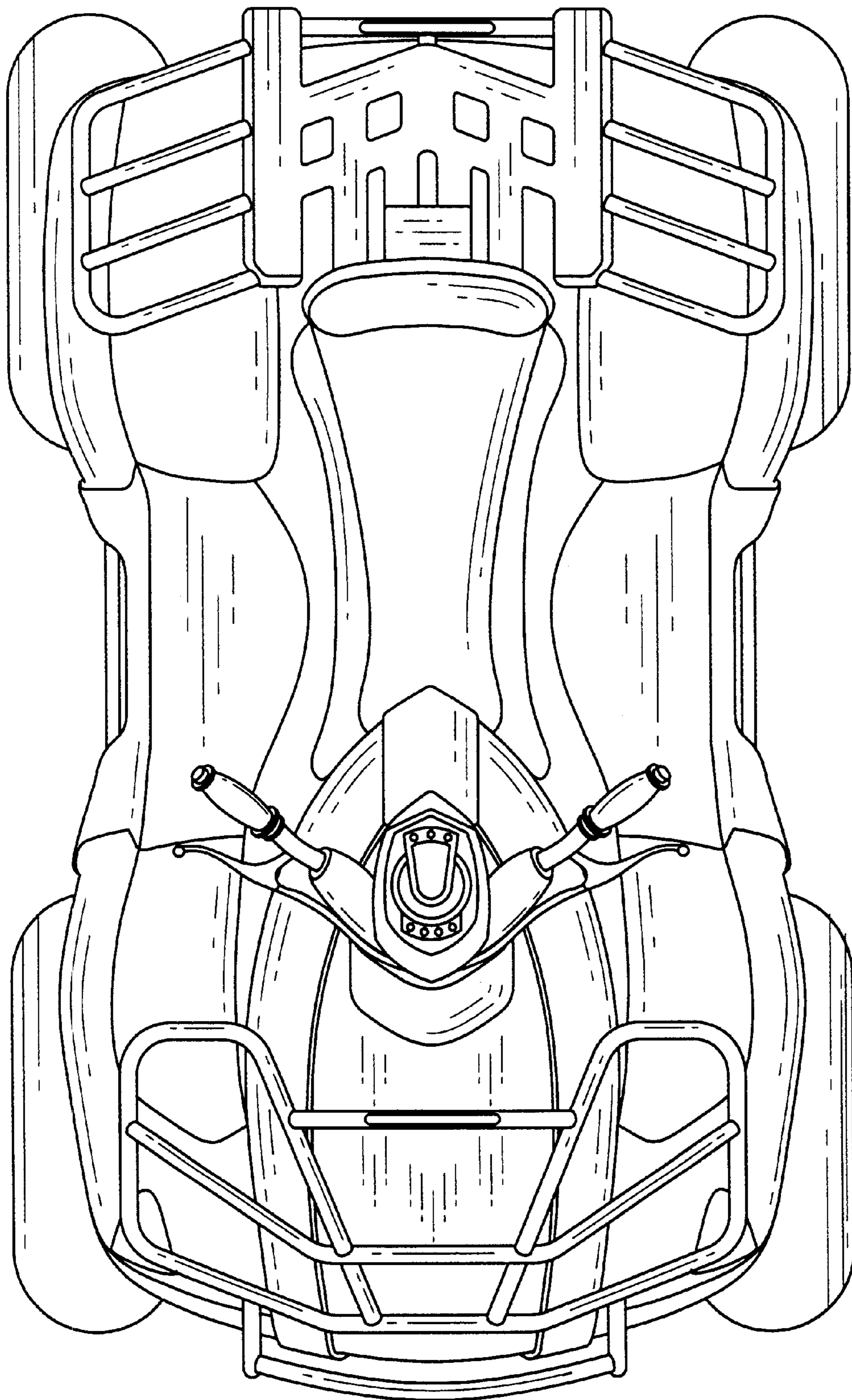


FIG. 6

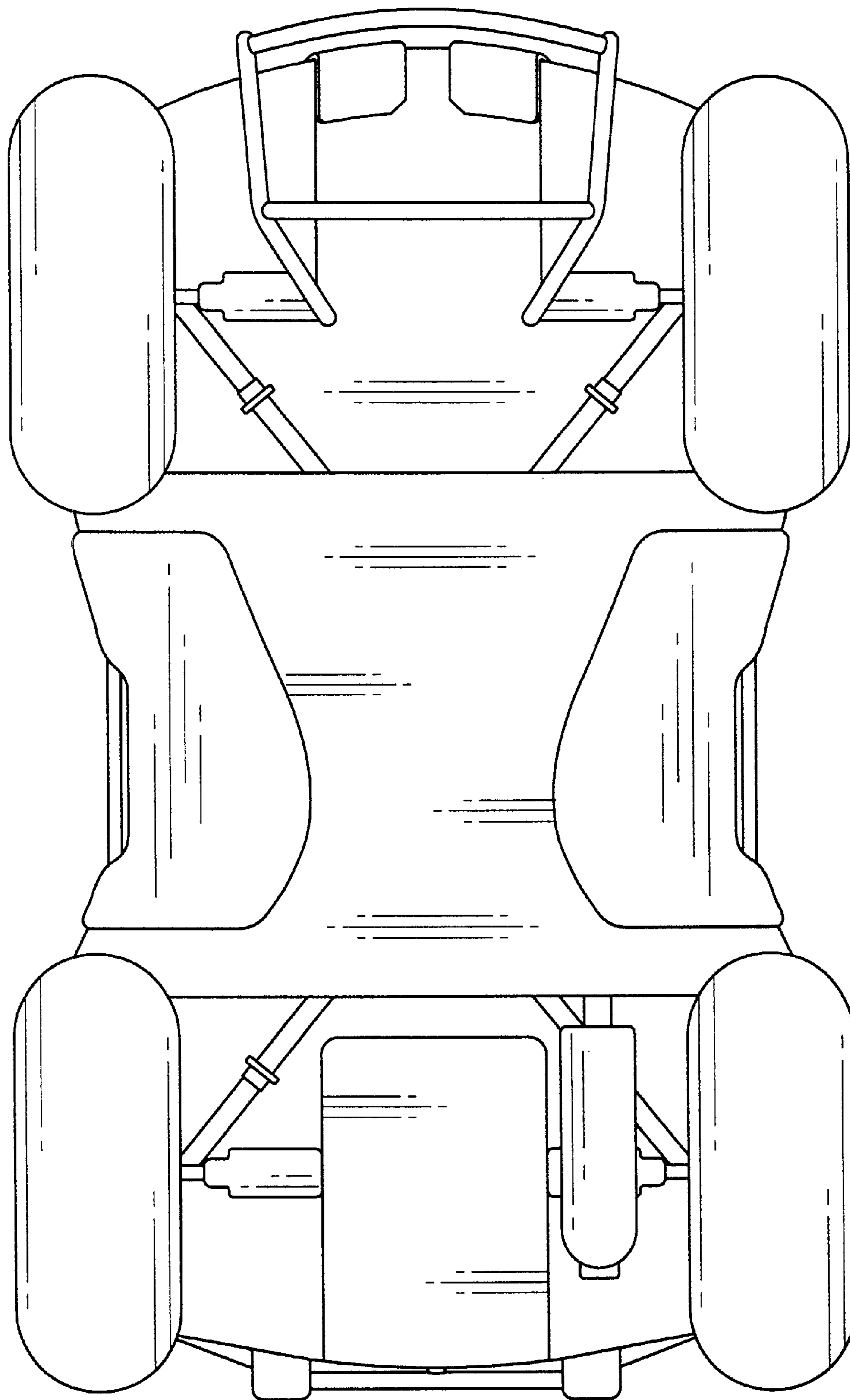


FIG. 7