



US00D531085S

(12) **United States Design Patent**  
**Ector-Posey**

(10) **Patent No.:** **US D531,085 S**

(45) **Date of Patent:** **\*\* Oct. 31, 2006**

(54) **SEAT BELT RELEASE COVER**

(76) Inventor: **Kelly M. Ector-Posey**, 1993 Ridgetop Way, Cincinnati, OH (US) 45238

(\*\*) Term: **14 Years**

(21) Appl. No.: **29/238,195**

(22) Filed: **Sep. 12, 2005**

(51) **LOC (8) Cl.** ..... **02-01**

(52) **U.S. Cl.** ..... **D11/200**

(58) **Field of Classification Search** ..... D11/200-201,  
D11/216; D2/639; 222/142.5; 24/633, 579.11;  
70/63

See application file for complete search history.

D358,246 S	5/1995	Bacchiocchi et al.	
5,416,957 A *	5/1995	Renzi et al. ....	24/633
5,442,840 A	8/1995	Ewald	
D374,112 S	10/1996	Curti	
D387,187 S *	12/1997	Connor et al. ....	D2/639
6,463,637 B1	10/2002	Carnahan	
6,668,433 B1	12/2003	Hood	
6,769,157 B1	8/2004	Meal	
D508,872 S *	8/2005	Hoepfner .....	D11/216

\* cited by examiner

*Primary Examiner*—Ralf Seifert

(74) *Attorney, Agent, or Firm*—Dale J. Ream

(57) **CLAIM**

The ornamental design for a seat belt release cover, as shown and described.

(56) **References Cited**

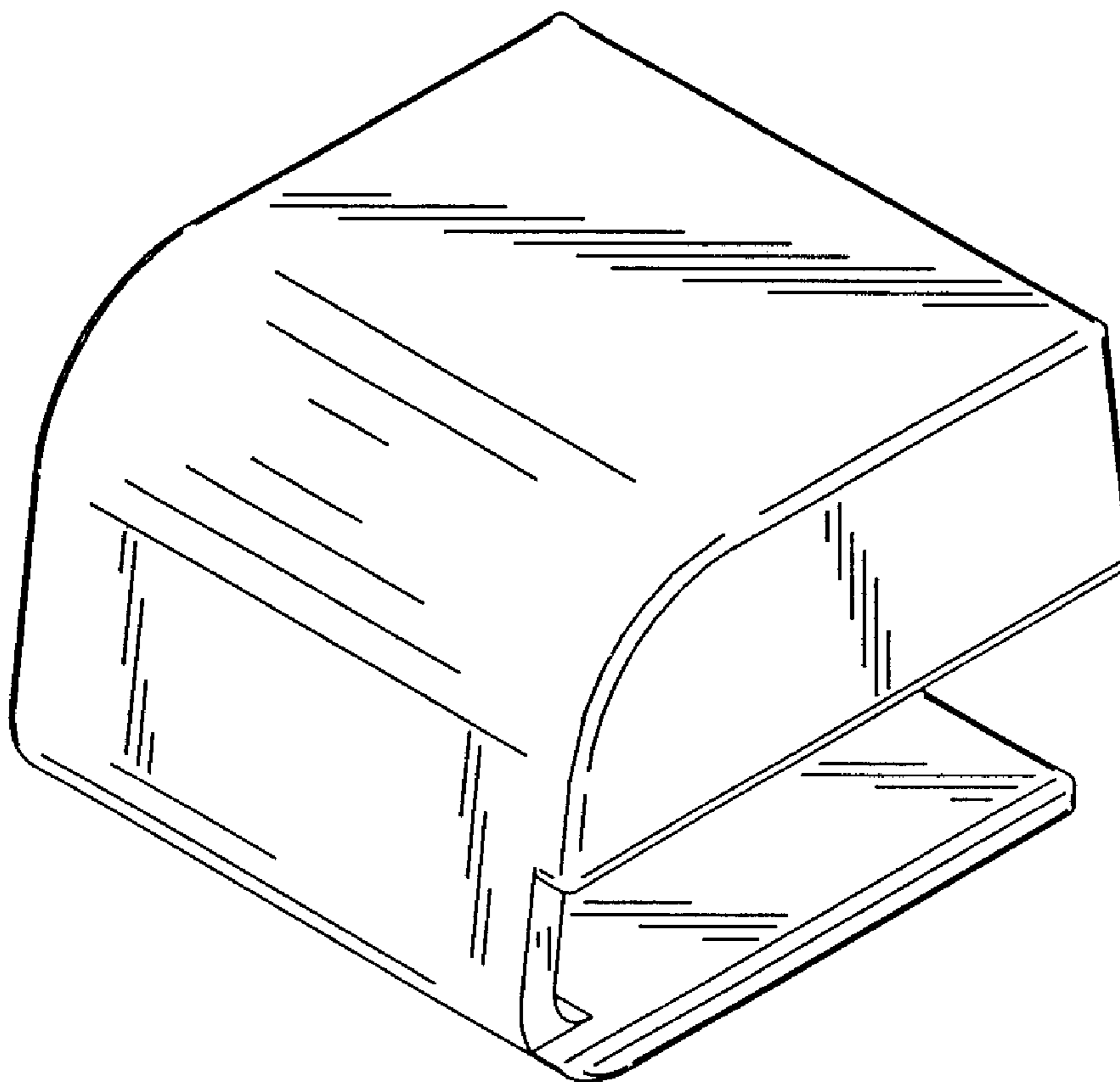
**U.S. PATENT DOCUMENTS**

3,484,908 A *	12/1969	Lamb .....	24/579.11
4,502,194 A	3/1985	Morris et al.	
D283,369 S *	4/1986	Martin .....	D11/200
4,674,303 A *	6/1987	Salcone, II .....	70/63
4,675,954 A	6/1987	Gullickson	
4,731,912 A *	3/1988	Boriskie et al. ....	24/633
D304,779 S	11/1989	Raphael et al.	
D307,512 S	5/1990	Woods	
4,961,521 A *	10/1990	Eckman .....	222/142.5
D343,284 S *	1/1994	Jaramillo .....	D2/639

**DESCRIPTION**

FIG. 1 is a perspective view of a seat belt release cover showing my new design;  
FIG. 2 is a front view thereof;  
FIG. 3 is a back view thereof;  
FIG. 4 is a right side view thereof;  
FIG. 5 is a left side view thereof;  
FIG. 6 is a top view thereof; and,  
FIG. 7 is a bottom view thereof.

**1 Claim, 4 Drawing Sheets**



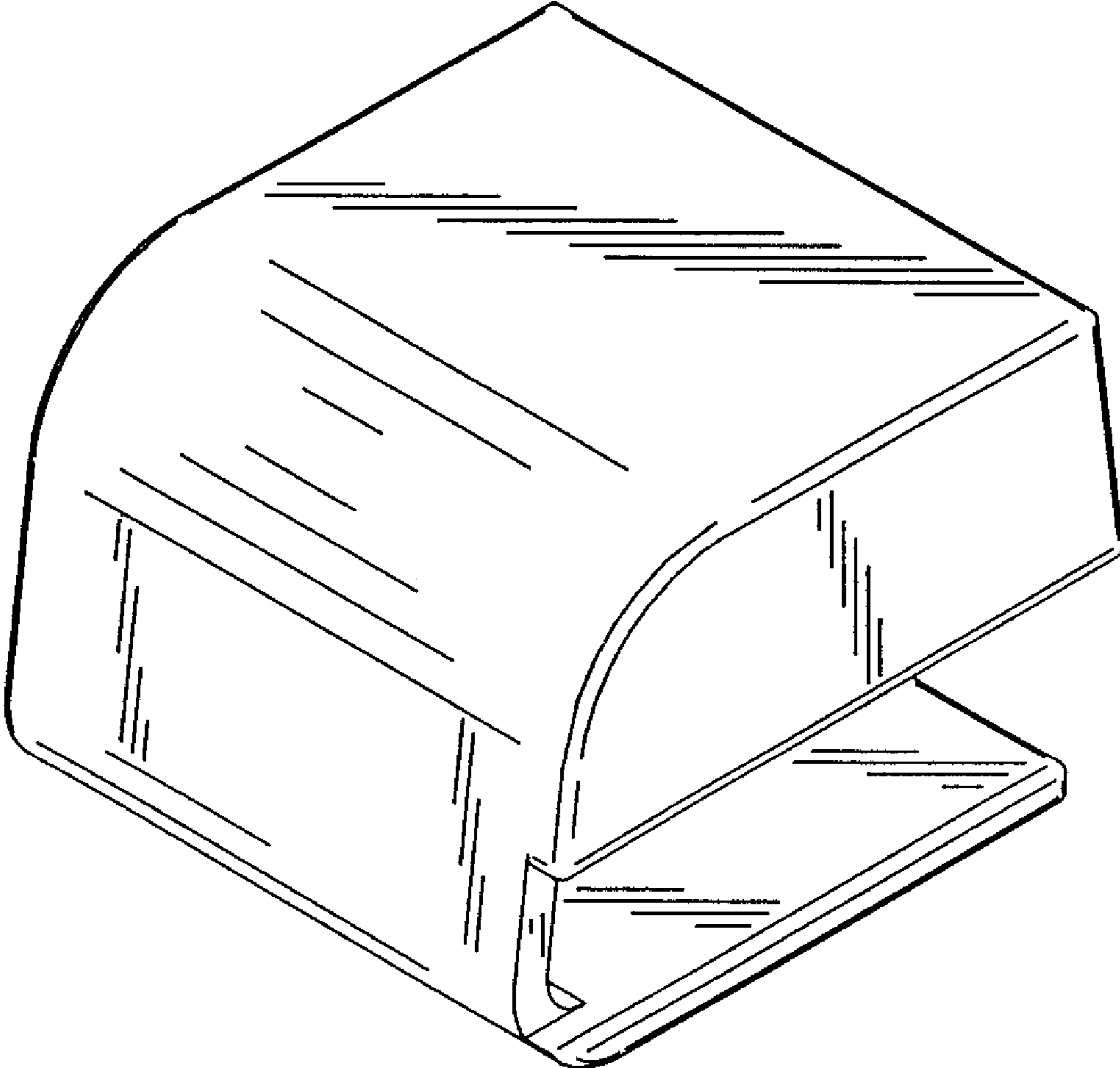


FIG. 1

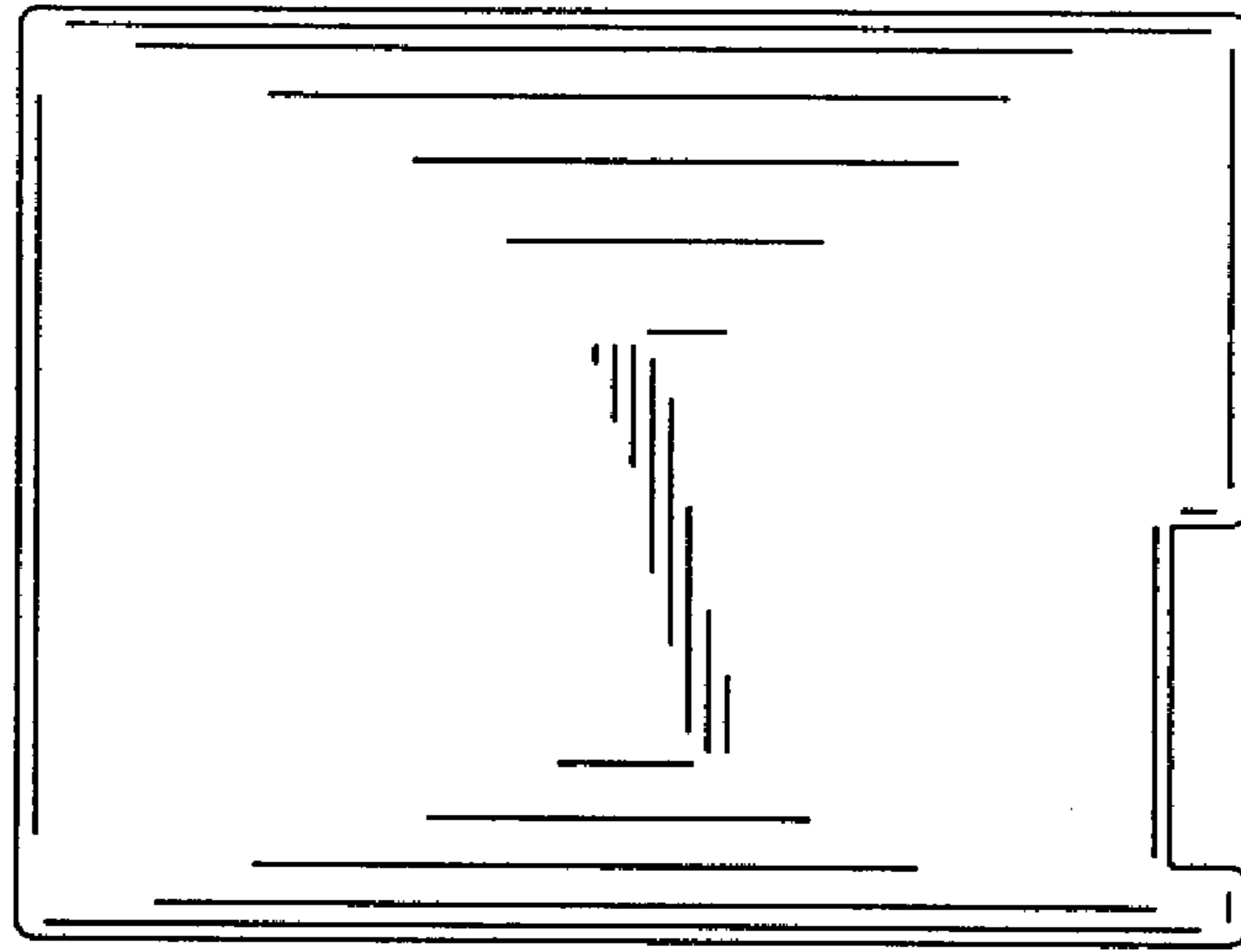


FIG. 2

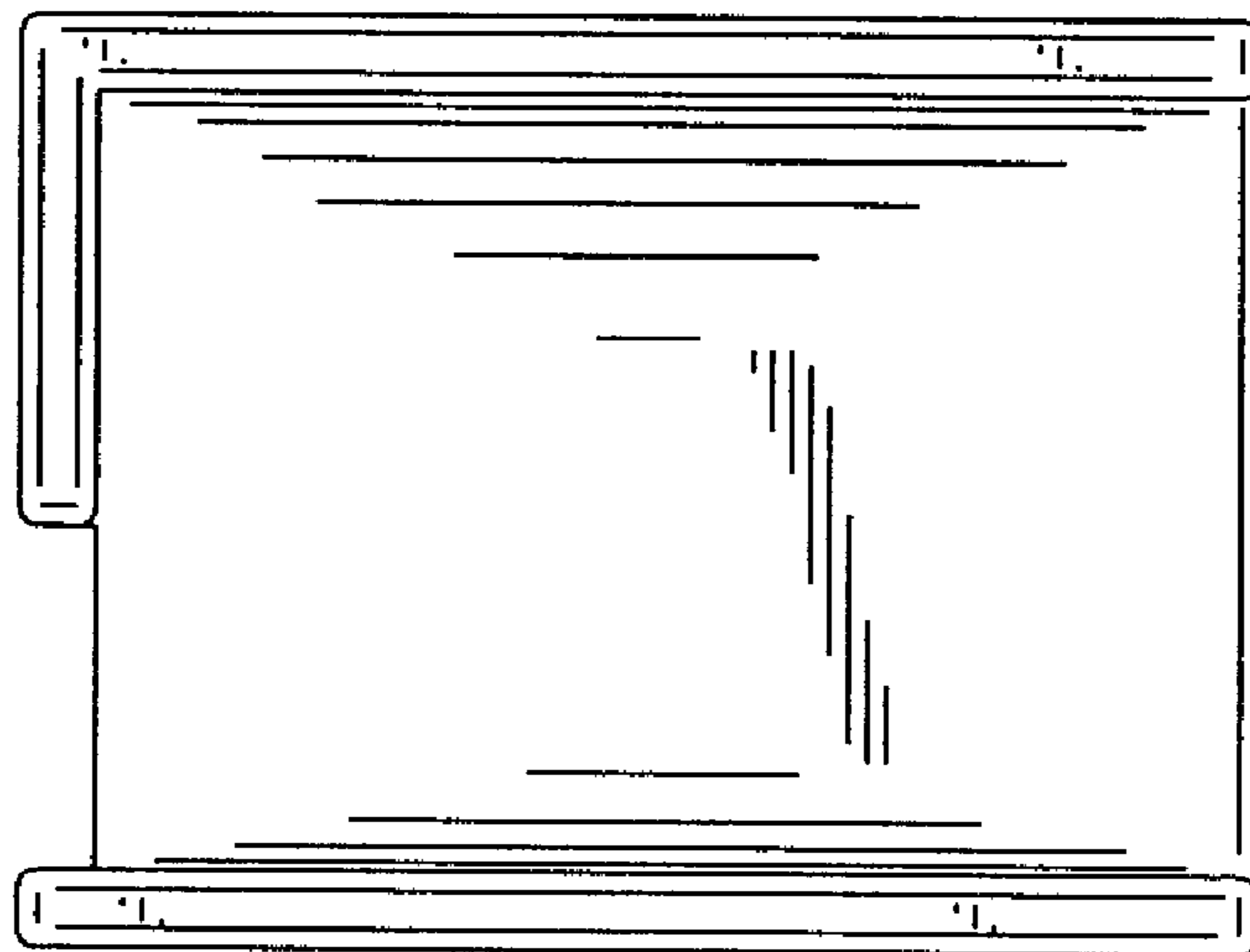


FIG. 3

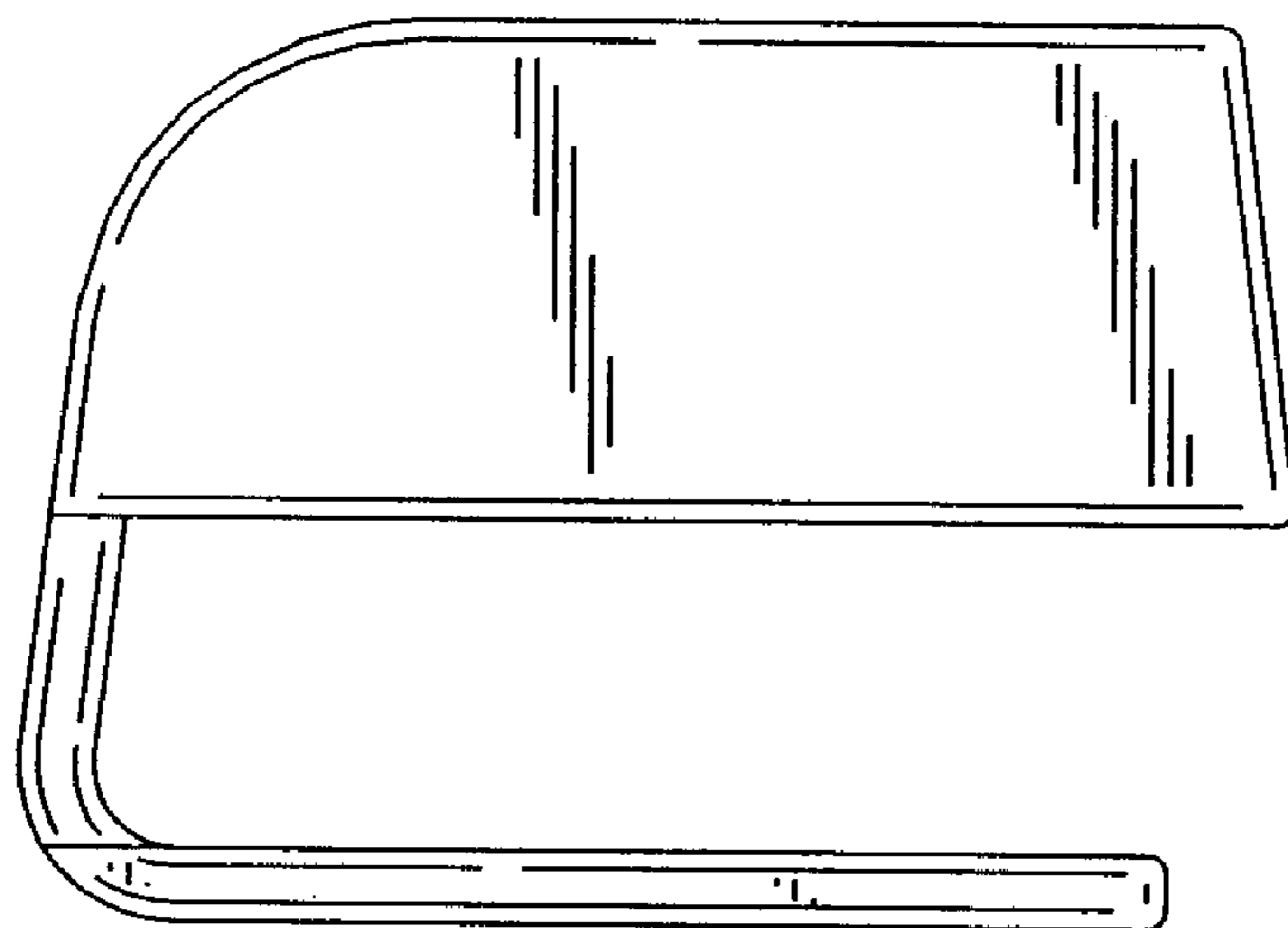


FIG. 4

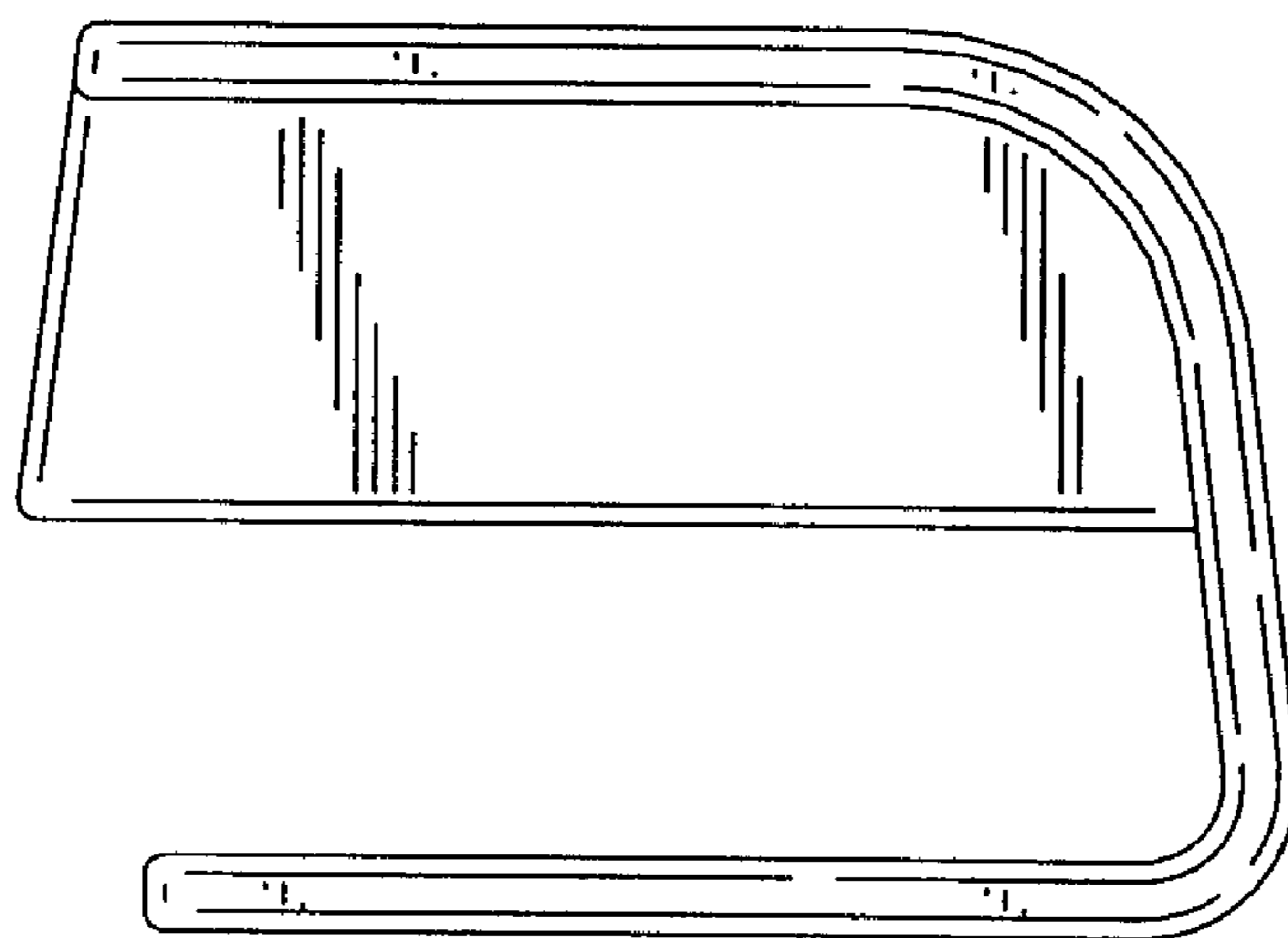


FIG. 5

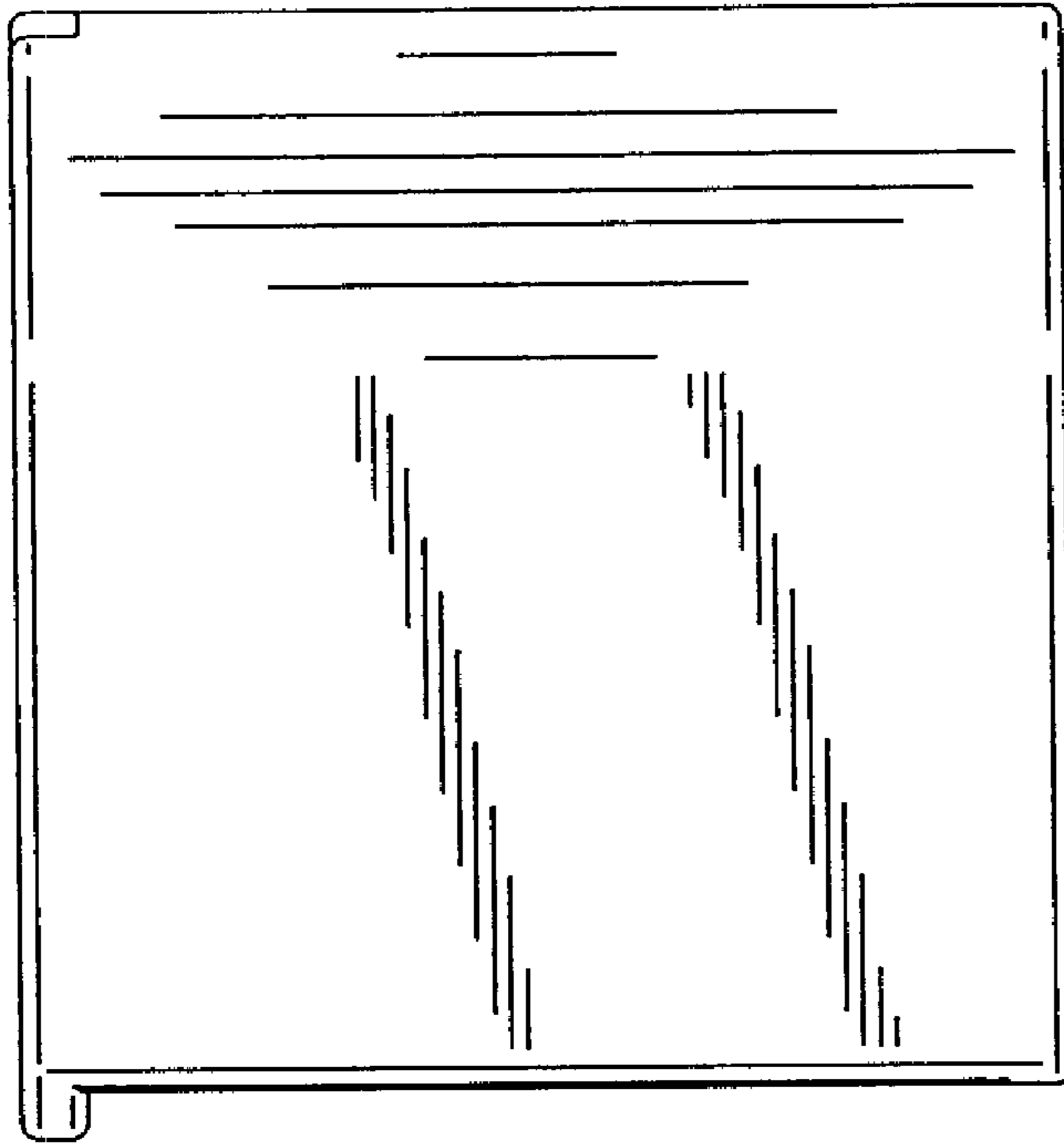


FIG. 6

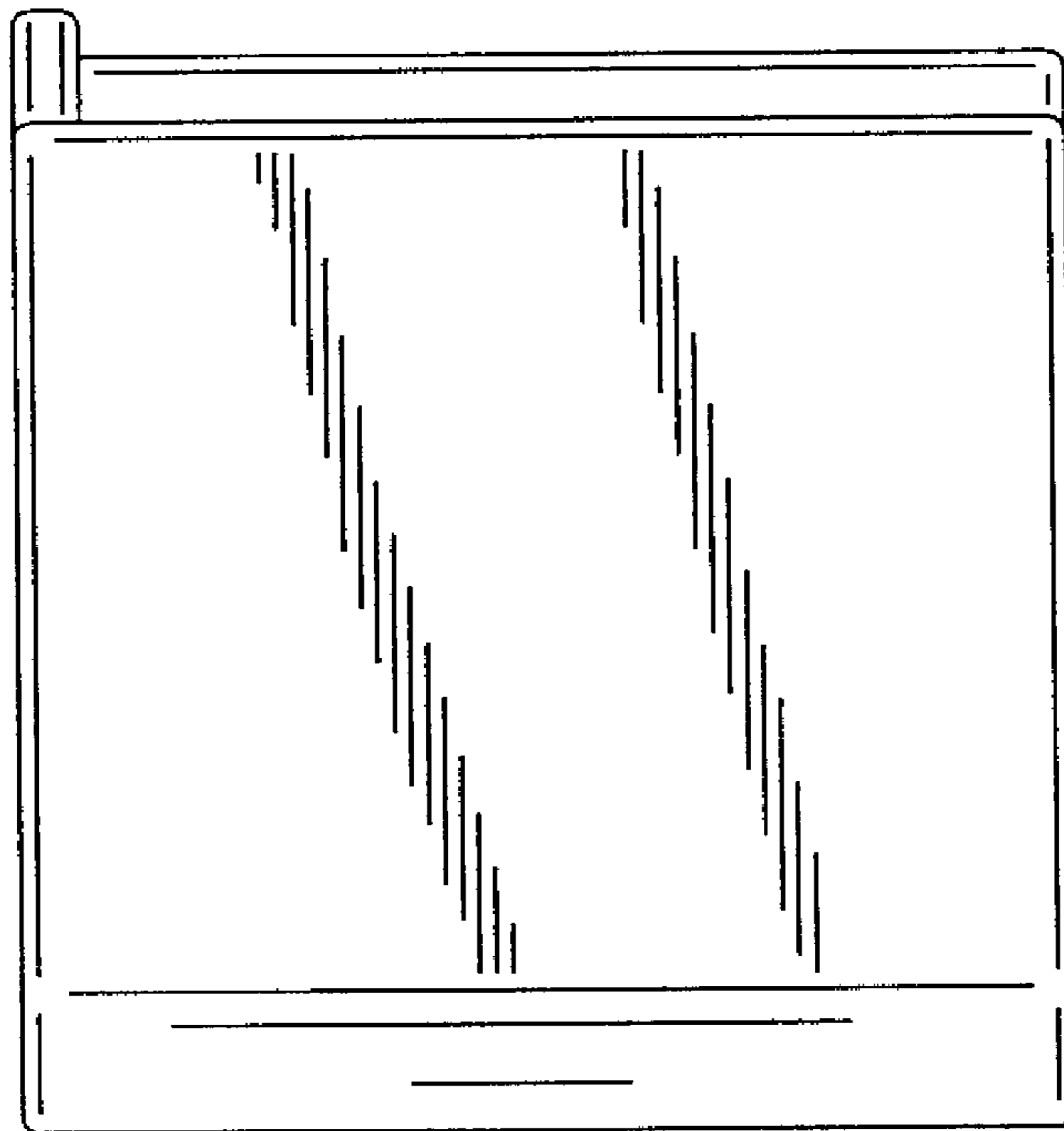


FIG. 7